



US00D726510S

(12) **United States Design Patent**  
**Bowen et al.**

(10) **Patent No.:** **US D726,510 S**  
(45) **Date of Patent:** **\*\* Apr. 14, 2015**

(54) **SLEEVE FOR A DRINK CONTAINER**

5,909,821 A \* 6/1999 Guridi ..... 220/739  
6,409,608 B1 \* 6/2002 Garske ..... 473/175  
D489,576 S \* 5/2004 Ramsdale ..... D7/606

(71) Applicant: **KidKusion Inc.**, Washington, NC (US)

\* cited by examiner

(72) Inventors: **Cynthia L. Bowen**, Washington, NC (US); **Christopher M. Bowen**, Washington, NC (US)

*Primary Examiner* — Terry Wallace

(74) *Attorney, Agent, or Firm* — Coats & Bennett, PLLC

(73) Assignee: **KidKusion Inc.**, Washington, NC (US)

(\*\*) Term: **14 Years**

(57) **CLAIM**

The ornamental design for a sleeve for a drink container, as shown and described.

(21) Appl. No.: **29/480,055**

(22) Filed: **Jan. 23, 2014**

**DESCRIPTION**

(51) **LOC (10) Cl.** ..... **07-06**

(52) **U.S. Cl.**  
USPC ..... **D7/625**; D7/606

(58) **Field of Classification Search**  
CPC ..... B65D 81/3876  
USPC ..... D7/605–608, 619.1–625; D9/444, 601, 215/12.1, 12.2, 13.1, 392–396; 62/457.1–457.9, 529, 530; 220/915.1, 220/915.2, 737–741, 902, 592.16, 592.17, 220/592.2

See application file for complete search history.

FIG. 1 is a front perspective view of a sleeve for a drink container According to the new design.  
FIG. 2 is a front view of the sleeve for a drink container of FIG. 1.  
FIG. 3 is a rear view of the sleeve for a drink container of FIG. 1.  
FIG. 4 is a right side view of the sleeve for a drink container of FIG. 1.  
FIG. 5 is a left side view of the sleeve for a drink container of FIG. 1.  
FIG. 6 is a top view of the sleeve for a drink container of FIG. 1; and,  
FIG. 7 is a bottom view of the sleeve for a drink container of FIG. 1.

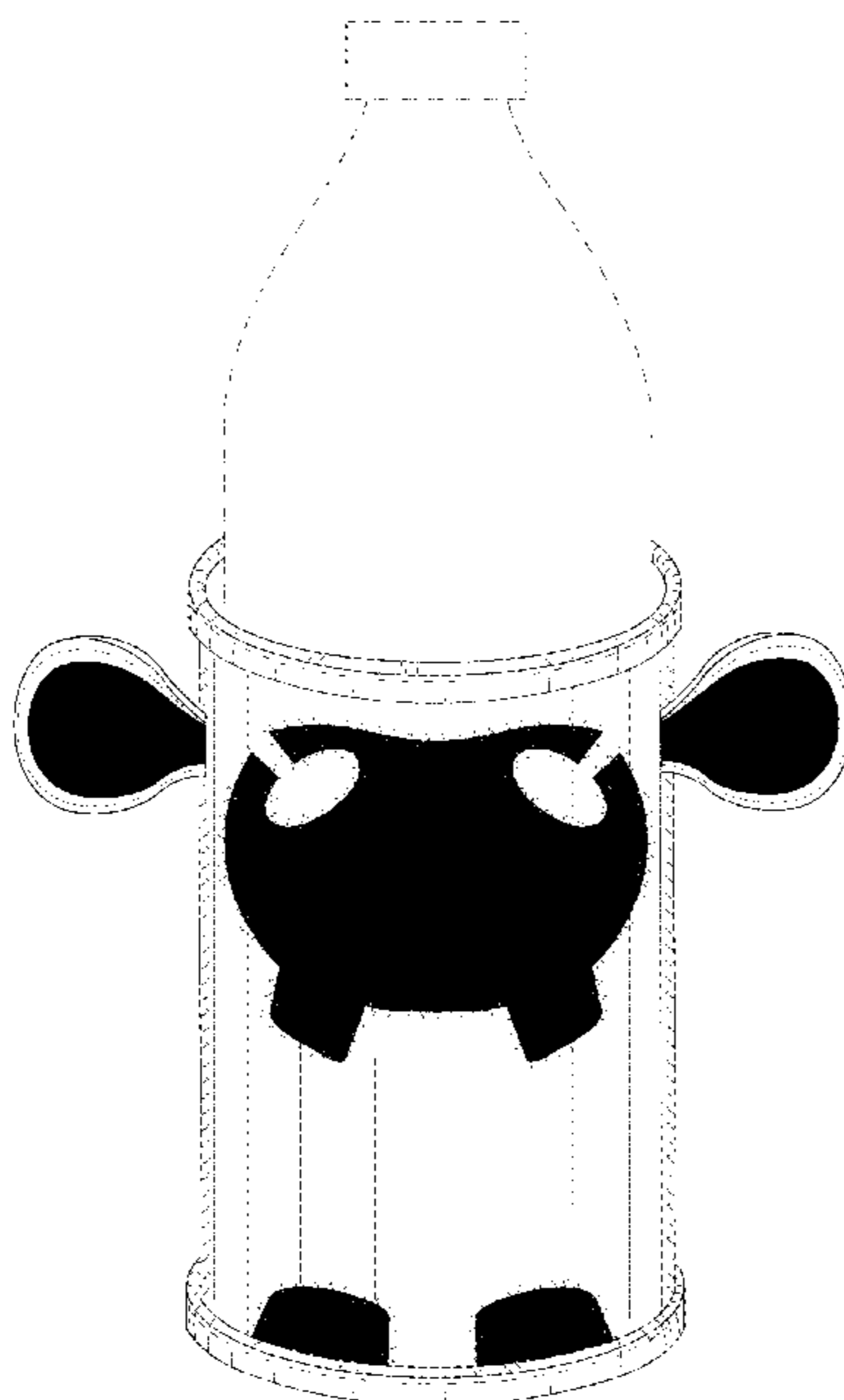
The portion of the sleeve for a drink container shown in broken lines are environmental only and form no part of the claimed design. The showing of solid black shading in the drawing views represents color contrast.

(56) **References Cited**

U.S. PATENT DOCUMENTS

D277,067 S \* 1/1985 Ostergard ..... D7/606  
D277,069 S \* 1/1985 Ostergard ..... D7/606  
D381,865 S \* 8/1997 Gallagher ..... D7/607  
D388,666 S \* 1/1998 Rausch ..... D7/606  
D389,022 S \* 1/1998 Rausch ..... D7/606

**1 Claim, 6 Drawing Sheets**



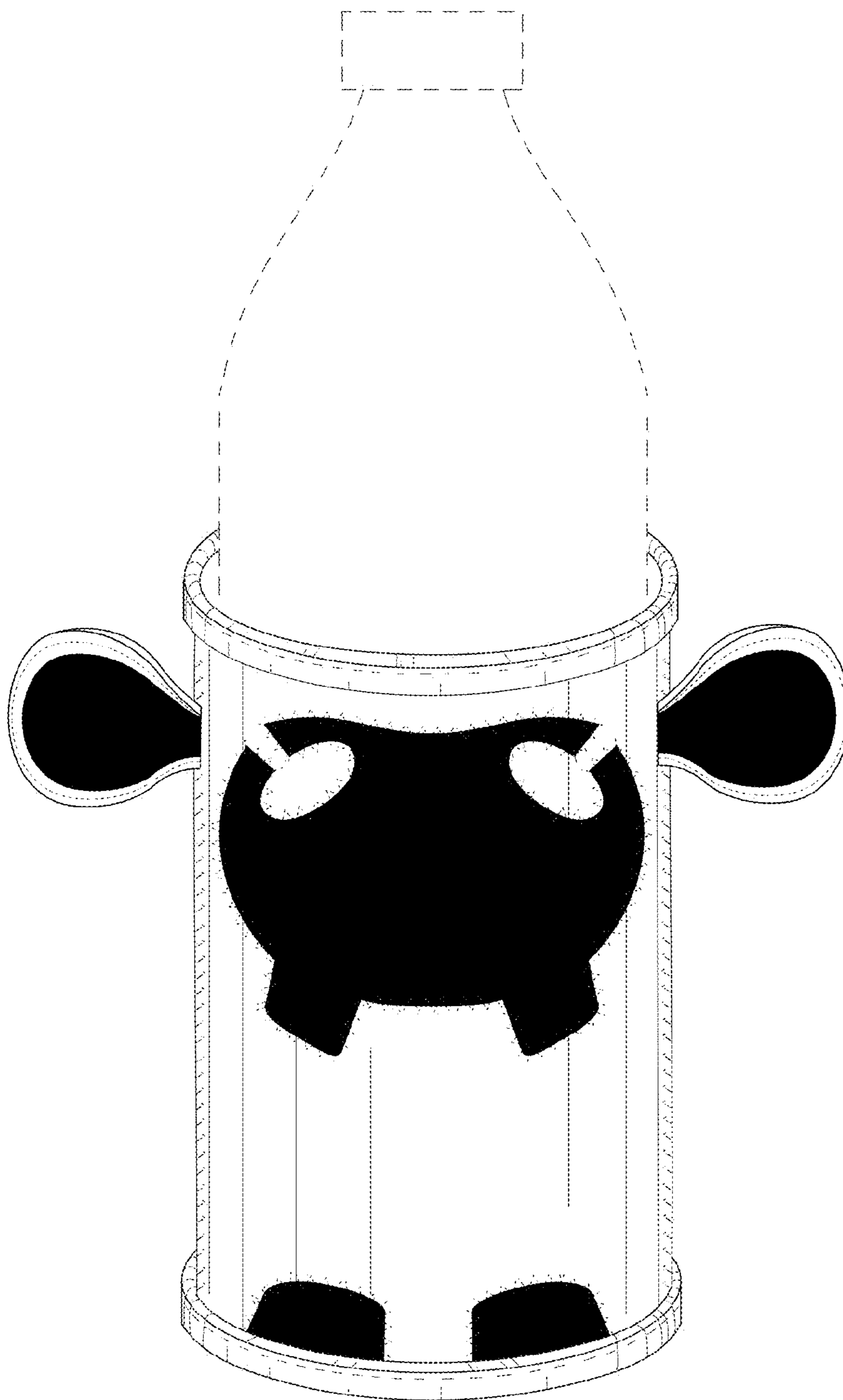


FIG. 1

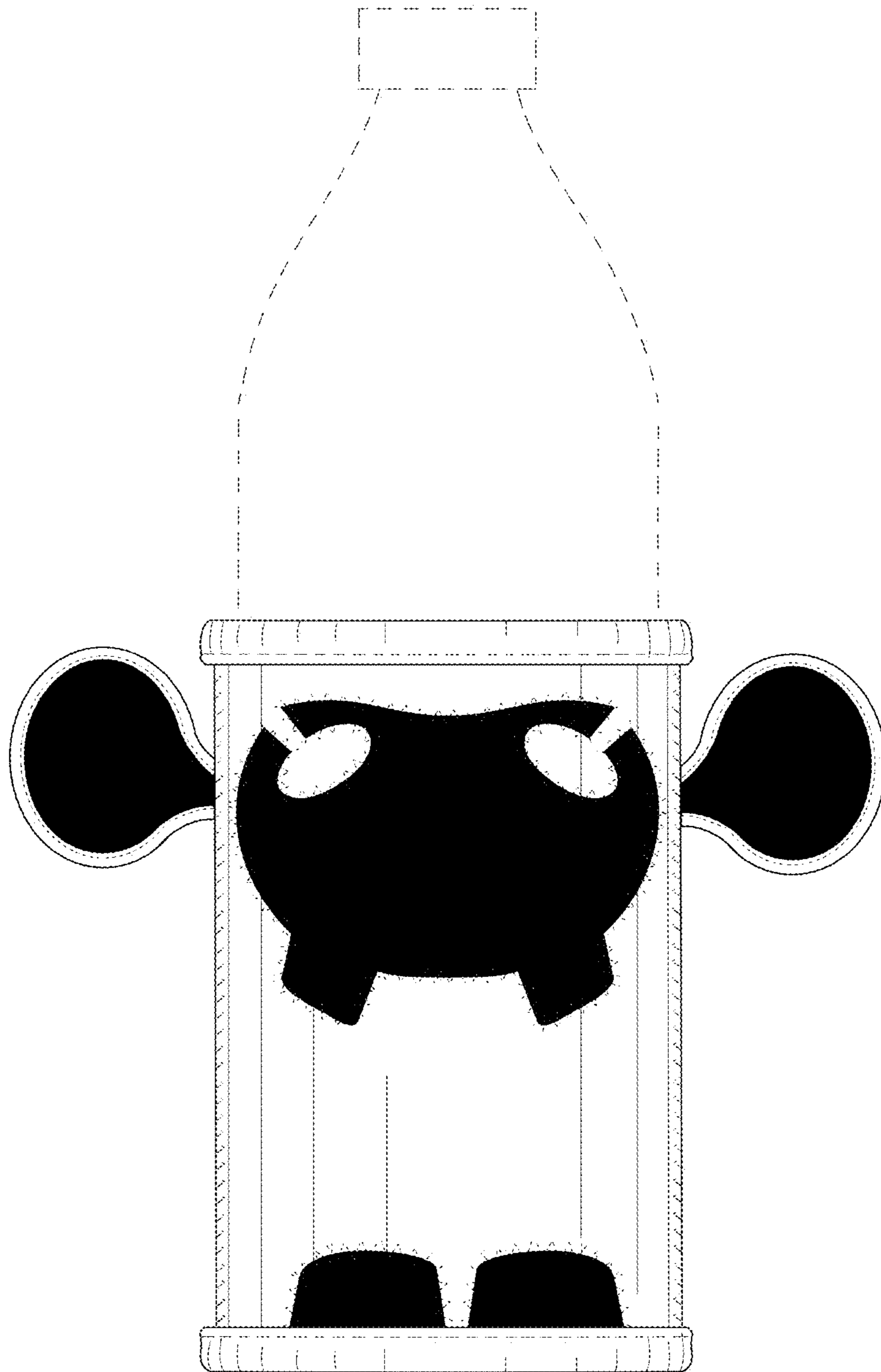


FIG. 2

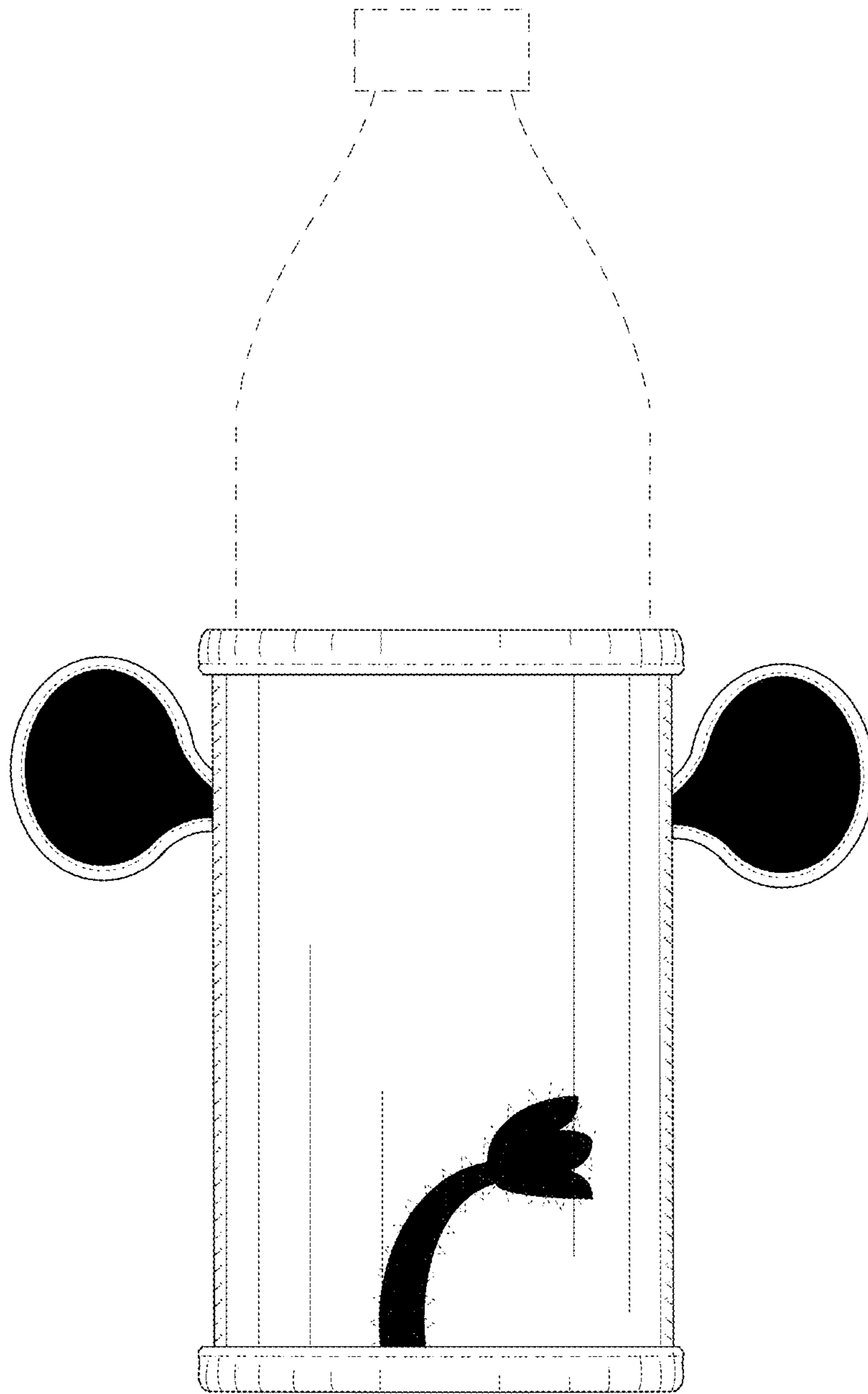


FIG. 3

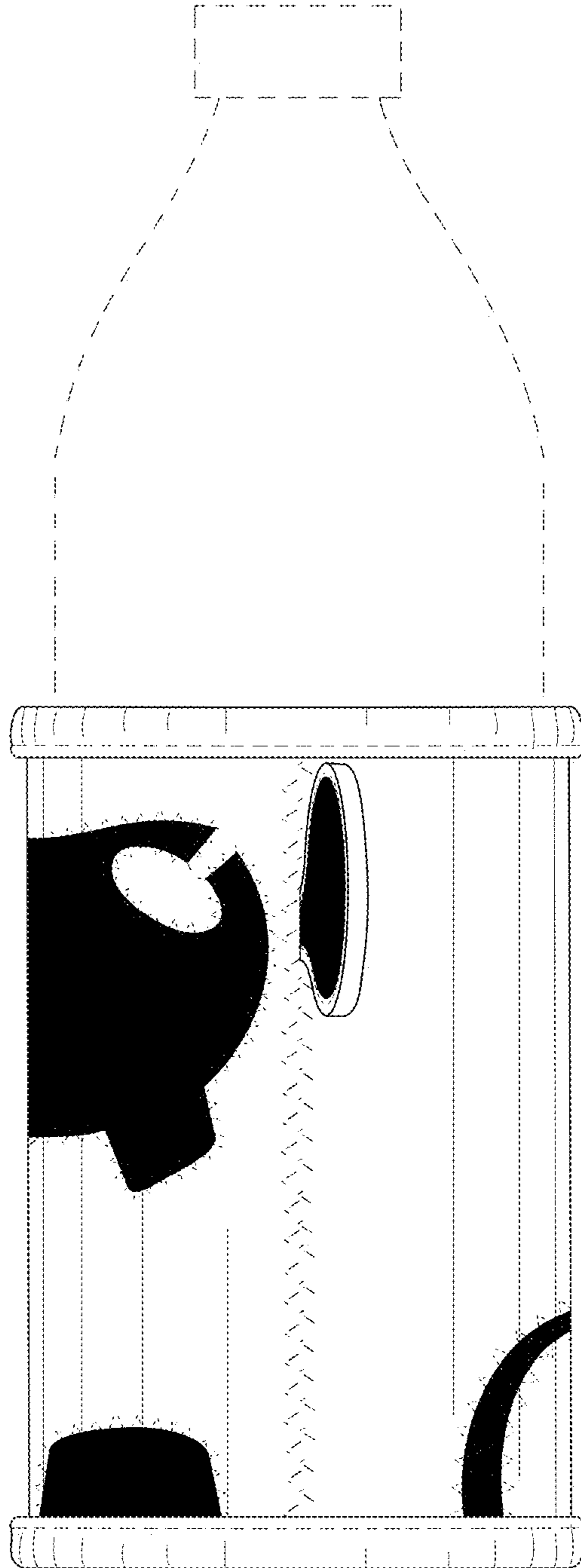


FIG. 4

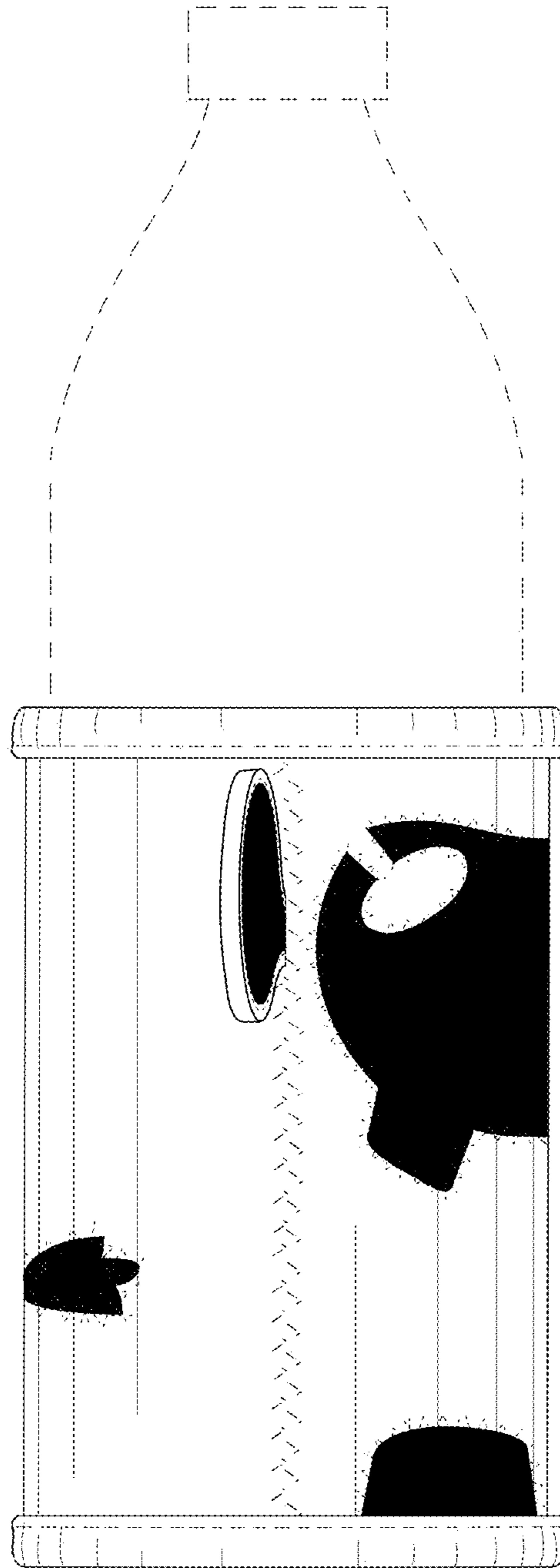


FIG. 5

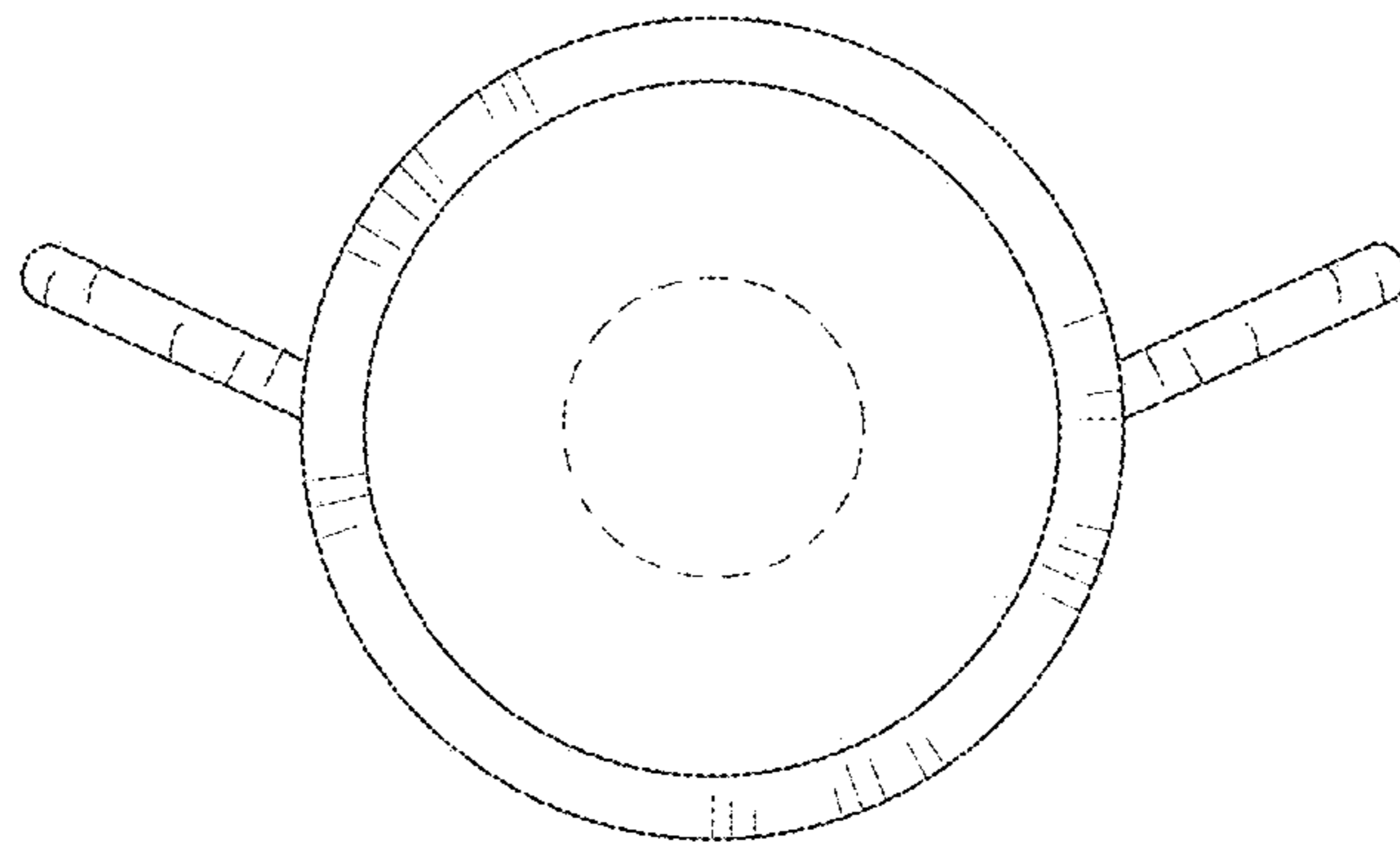


FIG. 6

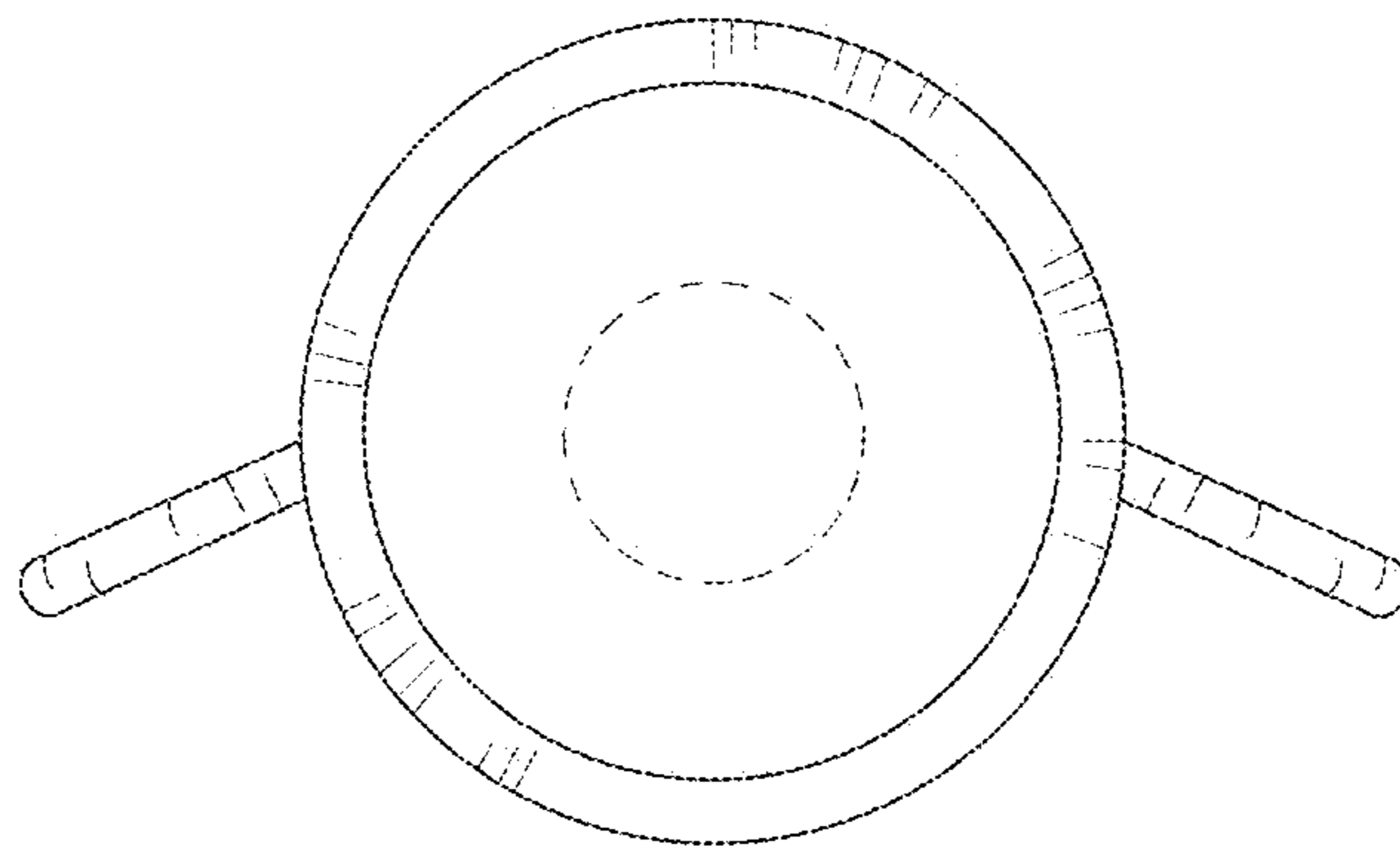


FIG. 7