



US00D726507S

(12) **United States Design Patent**
Bowen et al.

(10) **Patent No.:** **US D726,507 S**
(45) **Date of Patent:** **** Apr. 14, 2015**

(54) **SLEEVE FOR A DRINK CONTAINER**

5,909,821 A * 6/1999 Guridi 220/739
6,409,608 B1 * 6/2002 Garske 473/175
D489,576 S * 5/2004 Ramsdale D7/606

(71) Applicant: **KidKusion Inc.**, Washington, NC (US)

* cited by examiner

(72) Inventors: **Cynthia L. Bowen**, Washington, NC (US); **Christopher M. Bowen**, Washington, NC (US)

Primary Examiner — Terry Wallace

(74) *Attorney, Agent, or Firm* — Coats & Bennett, PLLC

(73) Assignee: **KidKusion Inc.**, Washington, NC (US)

(**) Term: **14 Years**

(57) **CLAIM**

The ornamental design for a sleeve for a drink container, as shown and described.

(21) Appl. No.: **29/479,763**

(22) Filed: **Jan. 20, 2014**

DESCRIPTION

(51) **LOC (10) Cl.** **07-06**

(52) **U.S. Cl.**

USPC **D7/625**; D7/606

(58) **Field of Classification Search**

CPC B65D 81/3876

USPC D7/605–608, 619.1–625; D9/444, 601, 215/12.1, 12.2, 13.1, 392–396; 62/457.1–457.9, 529, 530; 220/915.1, 220/915.2, 737–741, 902, 592.16, 592.17, 220/592.2

See application file for complete search history.

FIG. 1 is a front perspective view of a sleeve for a drink container according to the new design;
FIG. 2 is a front view of the sleeve for a drink container of FIG. 1;
FIG. 3 is a rear view of the sleeve for a drink container of FIG. 1;
FIG. 4 is a left side view of the sleeve for a drink container of FIG. 1;
FIG. 5 is a right side view of the sleeve for a drink container of FIG. 1;
FIG. 6 is a top view of the sleeve for a drink container of FIG. 1; and,
FIG. 7 is a bottom view of the sleeve for a drink container of FIG. 1.

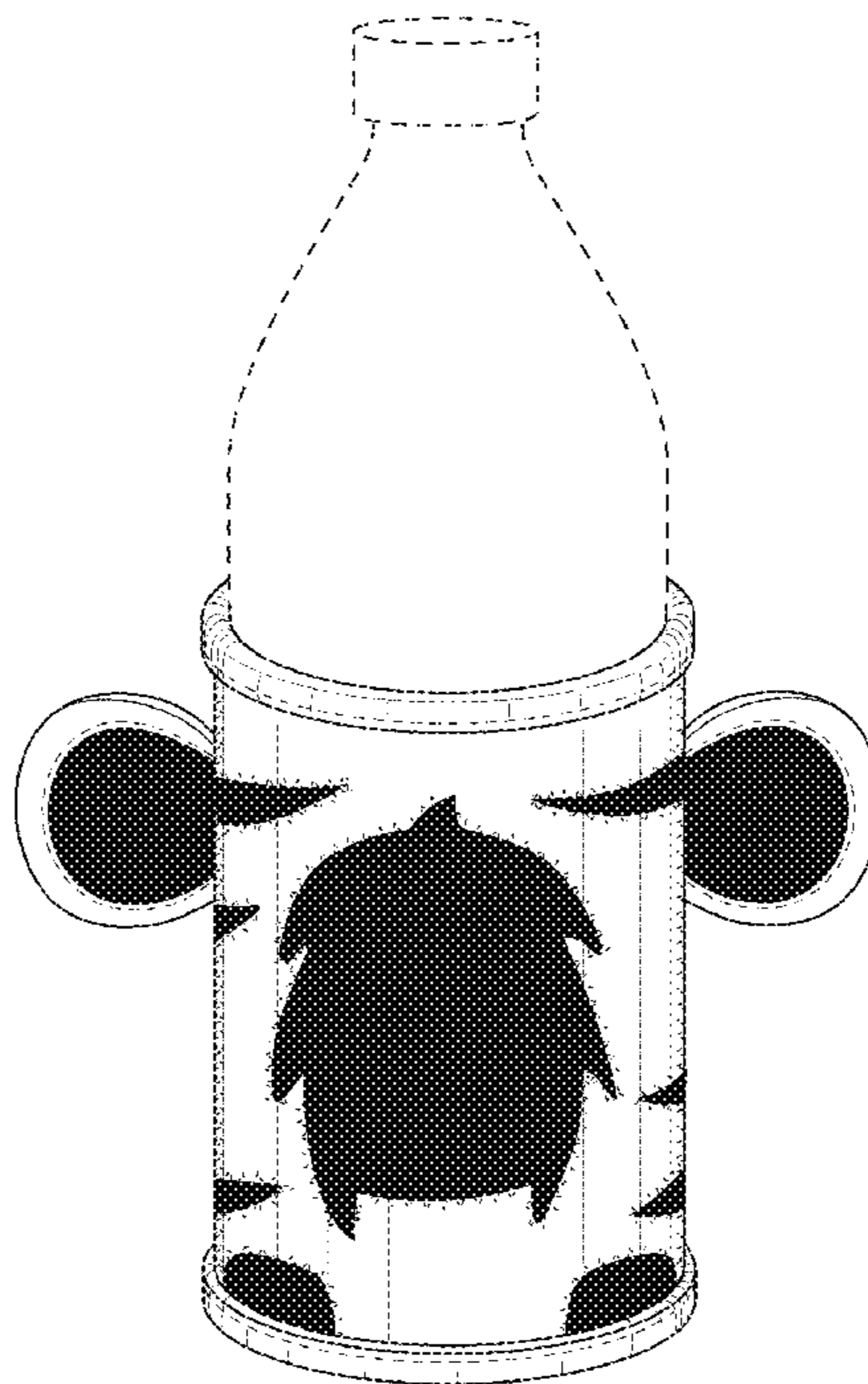
The portion of the sleeve for a drink container shown in broken lines are environmental only and form no part of the claimed design. The showing of solid black shading in the drawing views represents color contrast.

(56) **References Cited**

U.S. PATENT DOCUMENTS

D277,067 S * 1/1985 Ostergard D7/606
D277,069 S * 1/1985 Ostergard D7/606
D381,865 S * 8/1997 Gallagher D7/607
D388,666 S * 1/1998 Rausch D7/606
D389,022 S * 1/1998 Rausch D7/606

1 Claim, 6 Drawing Sheets



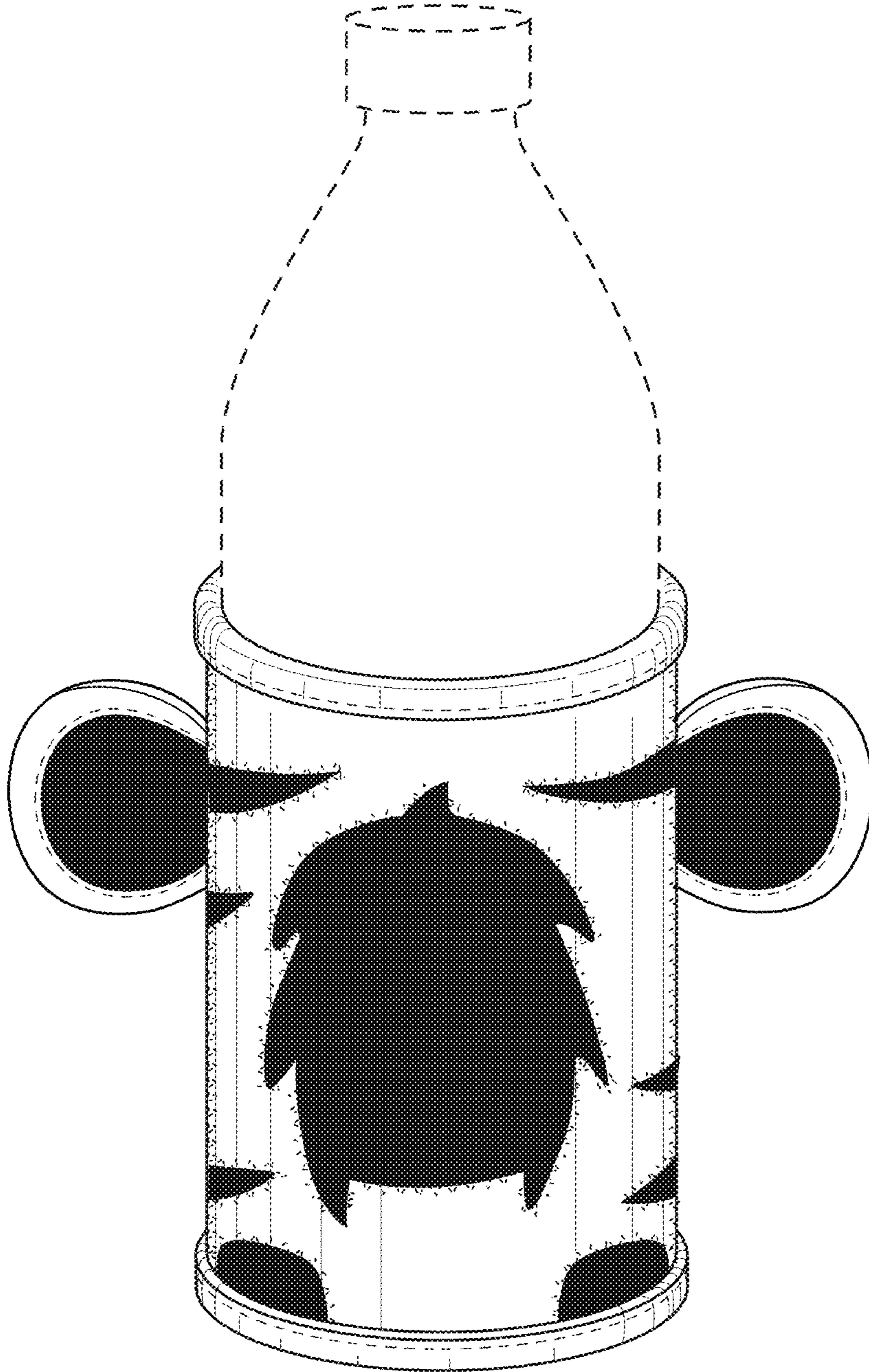


FIG. 1

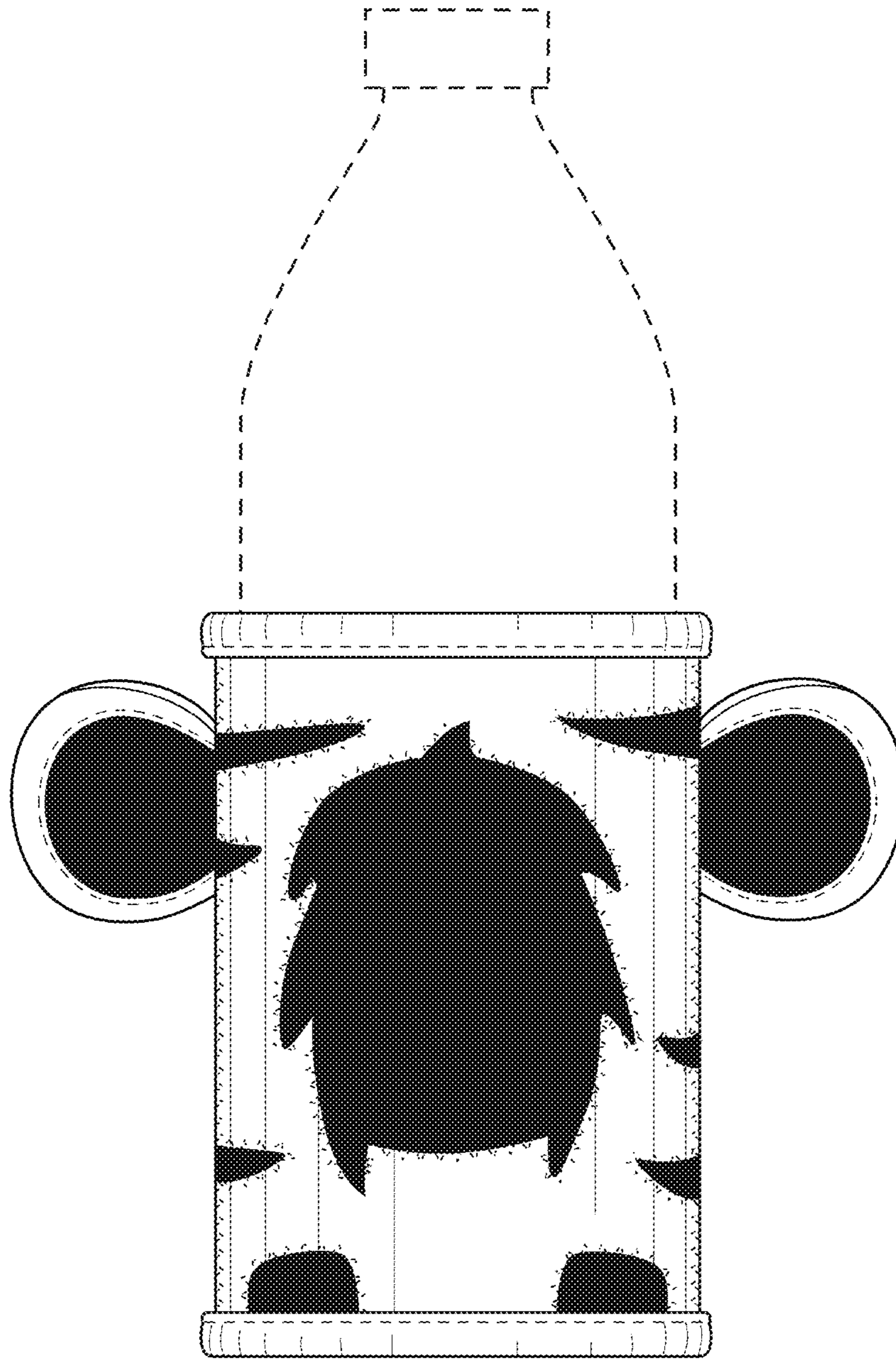


FIG. 2

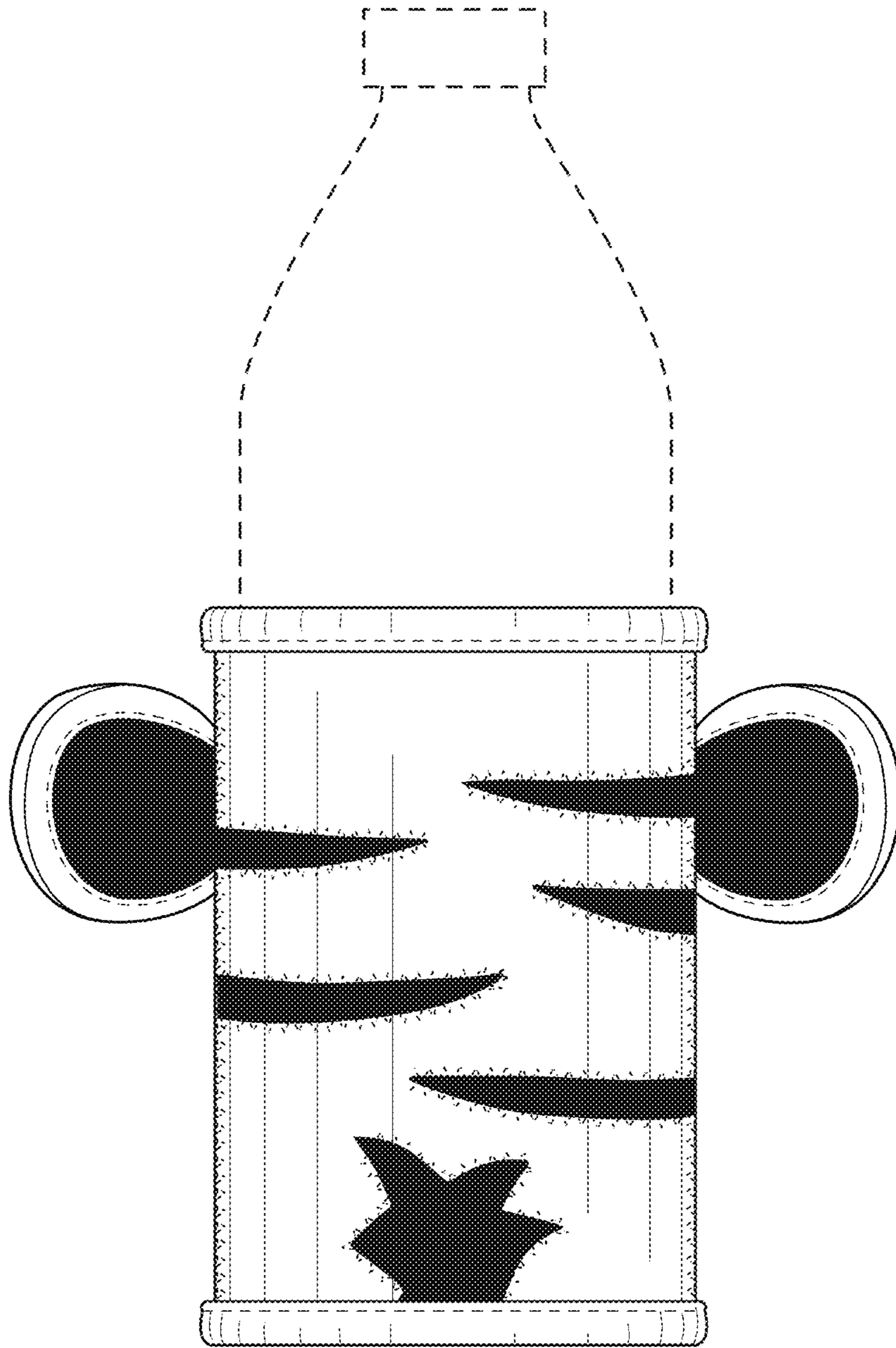


FIG. 3

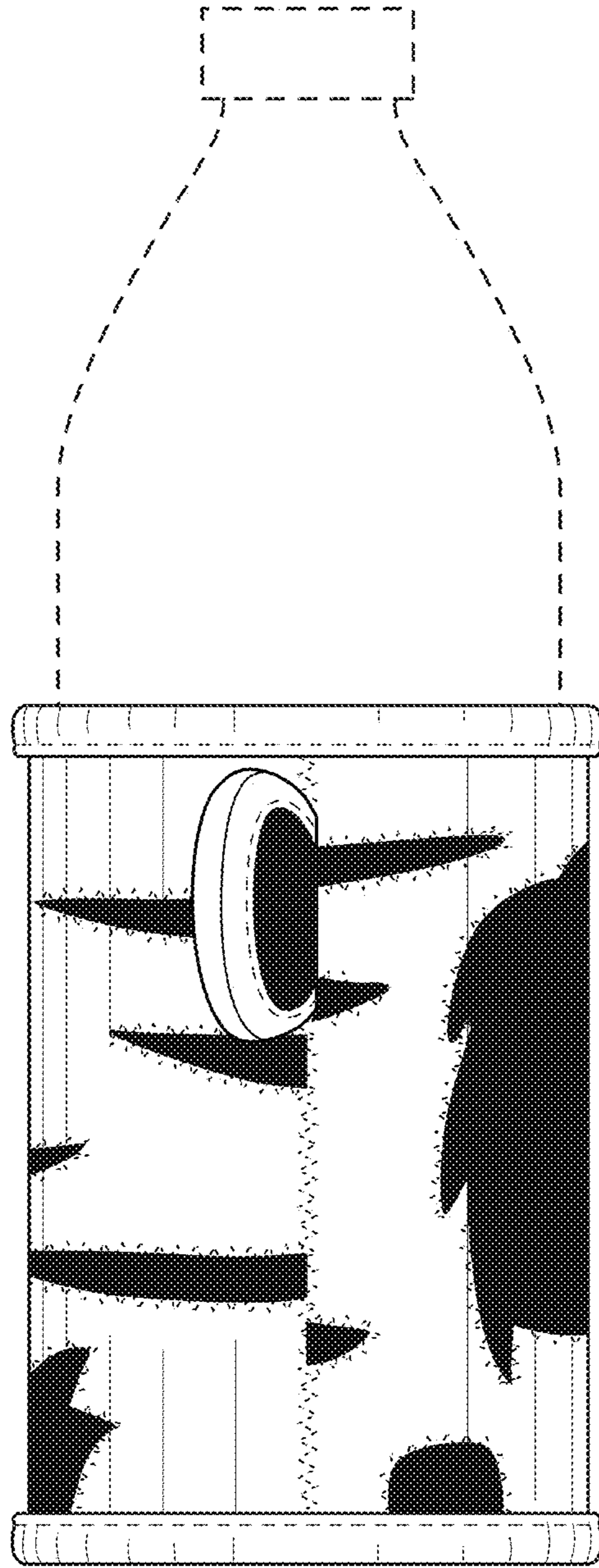


FIG. 4

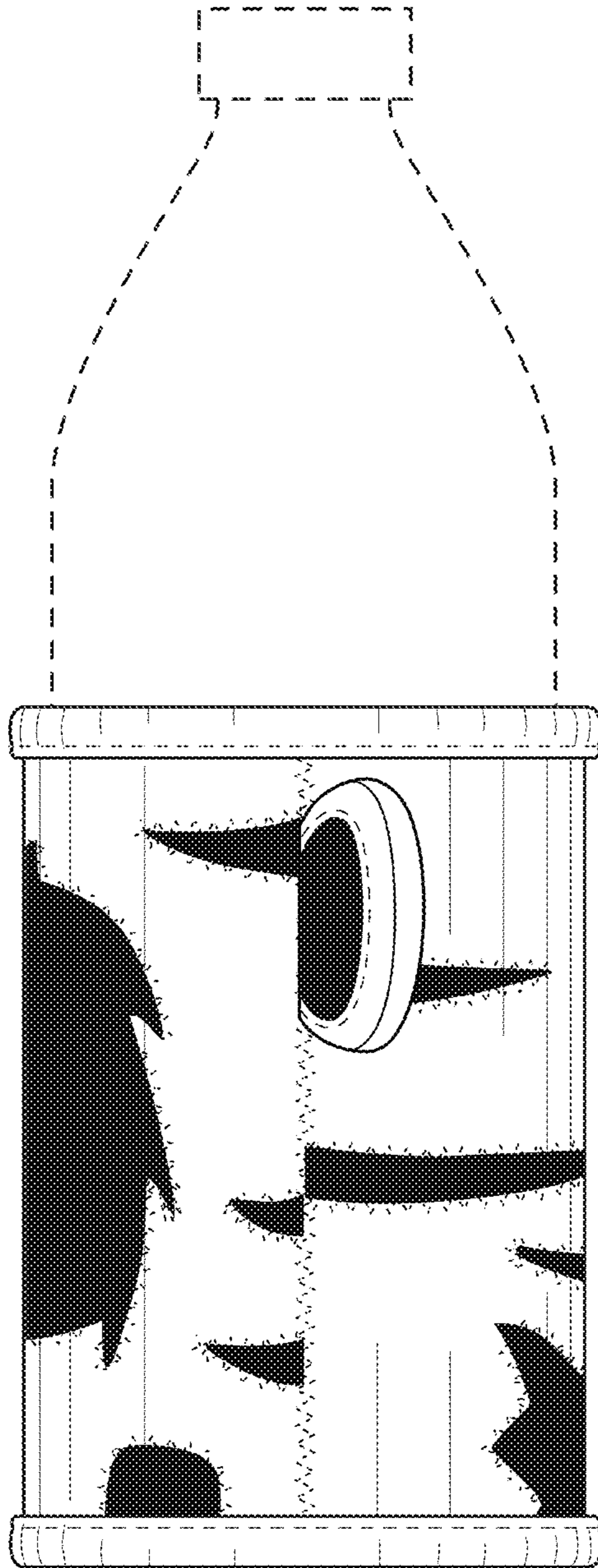


FIG. 5

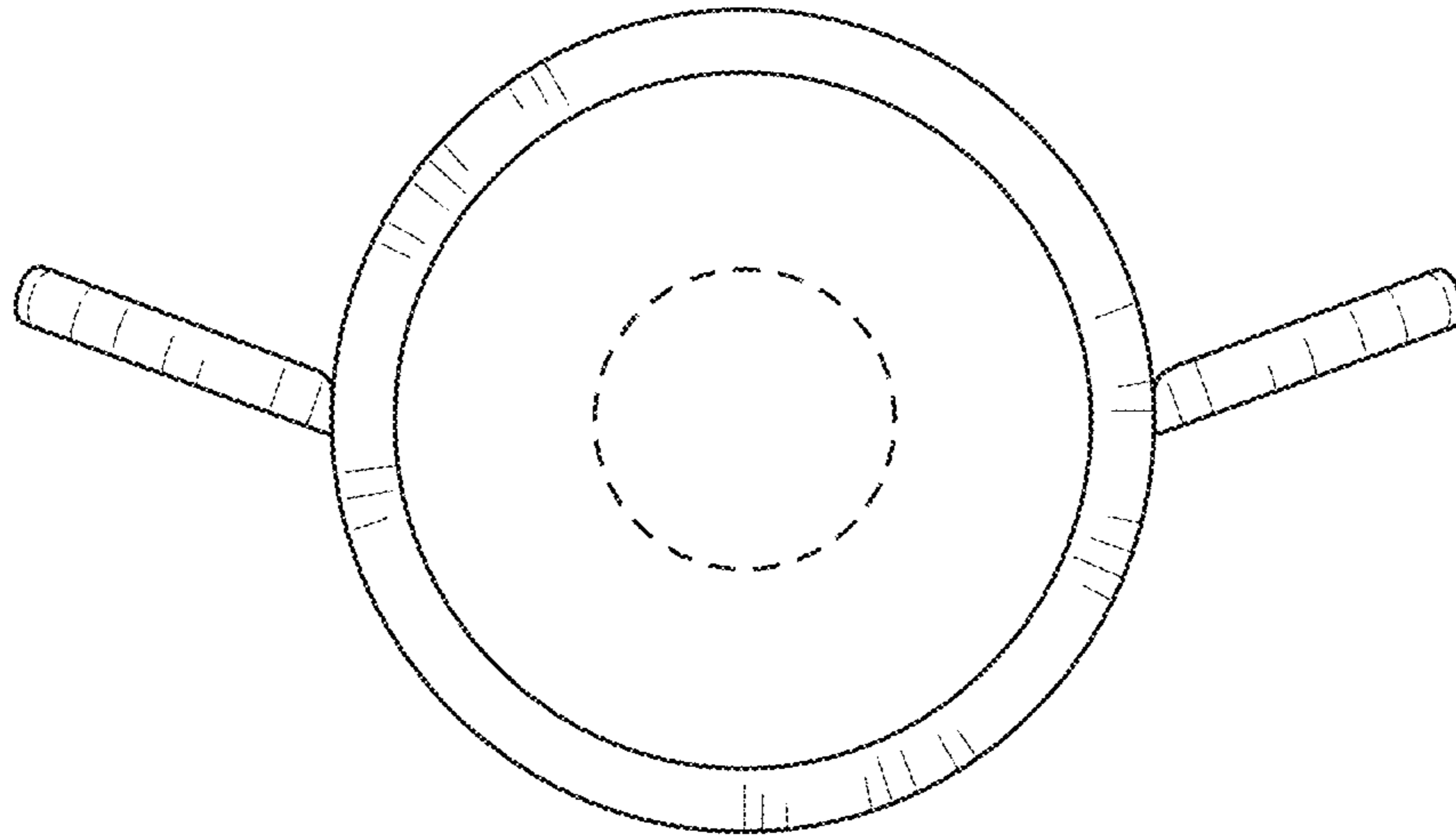


FIG. 6

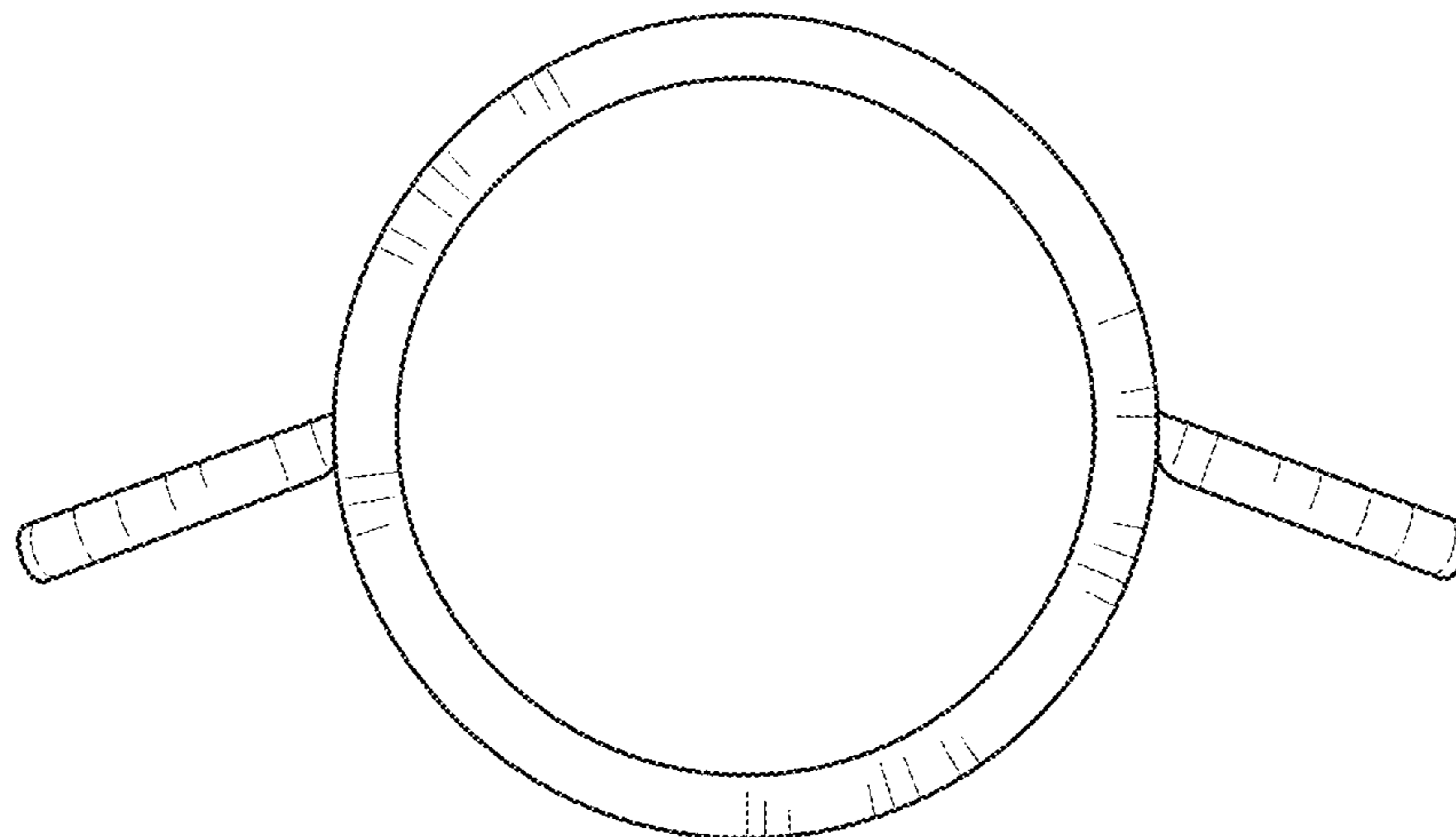


FIG. 7