



US00D726506S

(12) **United States Design Patent**
Parker

(10) **Patent No.:** **US D726,506 S**
(45) **Date of Patent:** **** Apr. 14, 2015**

(54) **HOLDER FOR A BEVERAGE CONTAINER**

(71) Applicant: **Daryll Parker**, Winter Garden, FL (US)

(72) Inventor: **Daryll Parker**, Winter Garden, FL (US)

(**) Term: **14 Years**

(21) Appl. No.: **29/437,559**

(22) Filed: **Nov. 19, 2012**

(51) **LOC (10) Cl.** **07-06**

(52) **U.S. Cl.**
USPC **D7/620**

(58) **Field of Classification Search**

USPC D7/620, 682, 382, 533, 501, 505, 507,
D7/510, 513, 541, 546, 549, 550.1, 552.2,
D7/553.3, 553.7, 554.3, 554.4, 555, 557,
D7/558, 584, 586, 305, 600, 600.1, 600.3,
D7/707, 624.1, 630, 632, 638, 396.1,
D7/401.1, 590, 642, 361, 393, 619.1;
D8/34, 77, 107, 300; D6/553; D9/278,
D9/282, 291, 307, 12, 13; 220/751, 752,
220/756, 761, 212.5, 483, 737, 739;
49/460; D20/42; 4/110.1, 422, 436,
4/FOR. 104, DIG. 24; 16/110 R; 294/65.5,
294/57, 153, 167, 166; 40/661.01, 426,
40/449, 600, 621

See application file for complete search history.

(56) **References Cited**

U.S. PATENT DOCUMENTS

1,782,962	A *	11/1930	Hobbs	294/166
3,269,683	A *	8/1966	Shinaver	248/230.5
4,896,858	A *	1/1990	Sokolski et al.	248/311.2
D309,848	S *	8/1990	Sokolski et al.	D7/620
D325,495	S *	4/1992	Rowles	D7/620
D401,121	S *	11/1998	Hartmann et al.	D7/620
5,833,194	A *	11/1998	Jones et al.	248/311.2
D489,577	S *	5/2004	Giampavolo	D7/620
D497,779	S *	11/2004	Giampavolo	D7/620
D679,146	S *	4/2013	Rincon	D7/620

OTHER PUBLICATIONS

Ebay, "Universal Drink Cup for Scooter or Powerchair Light & Strong with Straps", [online], Dec. 11, 2012 [retrieved on Jun. 12, 2013]. Retrieved from the Internet: < URL: http://www.ebay.com/itm/Universal-Drink-Cup-Holder-Scooter-Powerchair-Light-Strong-Straps>.*

* cited by examiner

Primary Examiner — Brandon M Rosati

(74) *Attorney, Agent, or Firm* — Mark R. Malek; Wideman Malek, PL

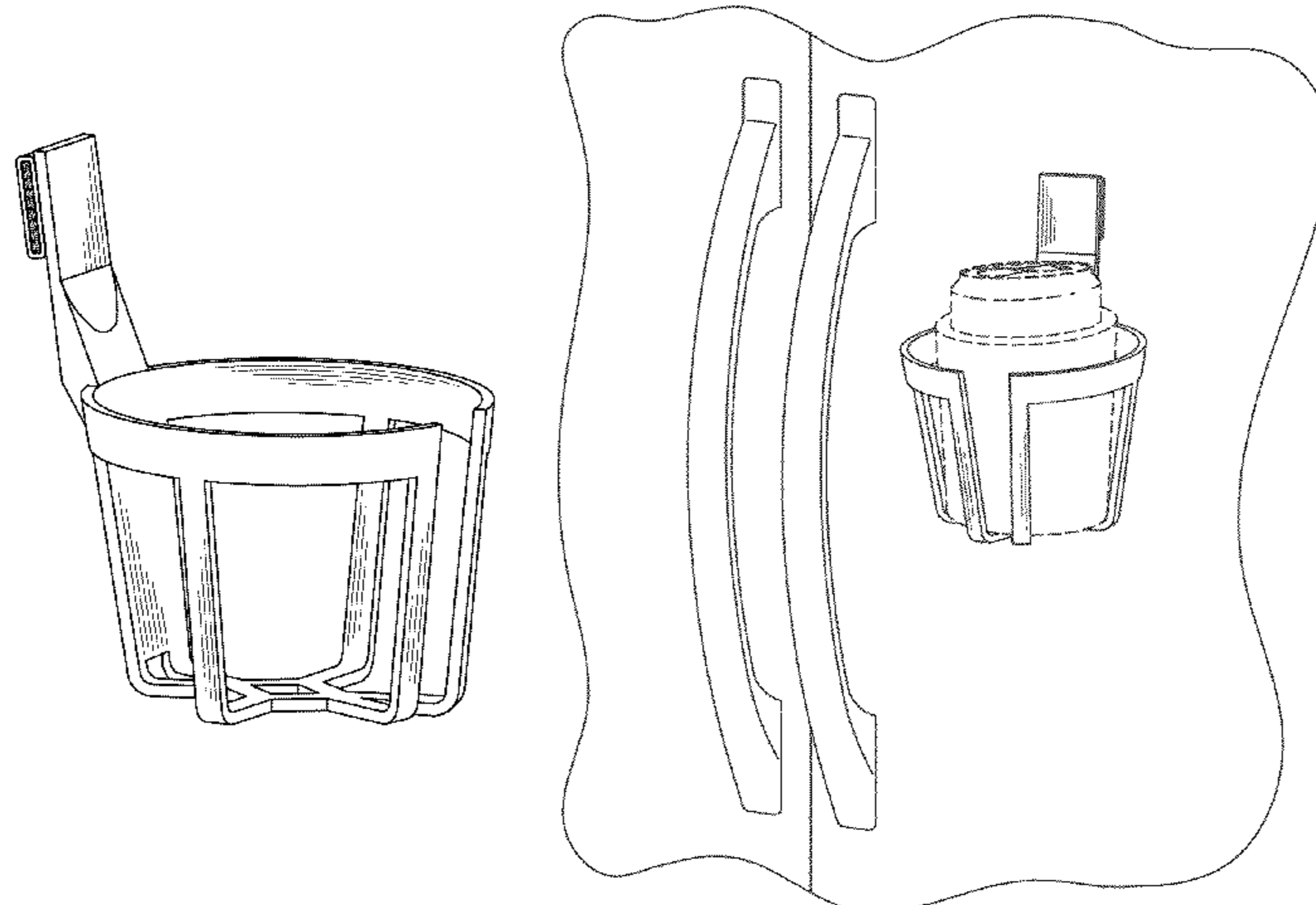
(57) **CLAIM**

The ornamental design for a holder for a beverage container, as shown and described.

DESCRIPTION

FIG. 1 is a perspective view of a holder for a beverage container according to the present invention;
FIG. 2 is a front elevation view of the holder for the beverage container illustrated in FIG. 1;
FIG. 3 is a rear elevation view of the holder for the beverage container illustrated in FIG. 1;
FIG. 4 is a left side elevation view of the holder for the beverage container illustrated in FIG. 1;
FIG. 5 is right side elevation view of the holder for the beverage container illustrated in FIG. 1;
FIG. 6 is a top plan view of the holder for the beverage container illustrated in FIG. 1;
FIG. 7 is a bottom plan view of the holder for the beverage container illustrated in FIG. 1;
FIG. 8 is a perspective view of the holder for the beverage container holding device illustrated in FIG. 1 being affixed to a door of a refrigerator and holding a beverage container. The broken line showing of a refrigerator, a beverage container held within a sleeve is included for the purpose of illustrating environmental structure that forms no part of the claimed design; and,
FIG. 9 is a perspective view of the holder for the beverage container illustrated in FIG. 1. The broken line showing of a refrigerator, a beverage container held within a sleeve is included for the purpose of illustrating environmental structure that forms no part of the claimed design.

1 Claim, 4 Drawing Sheets



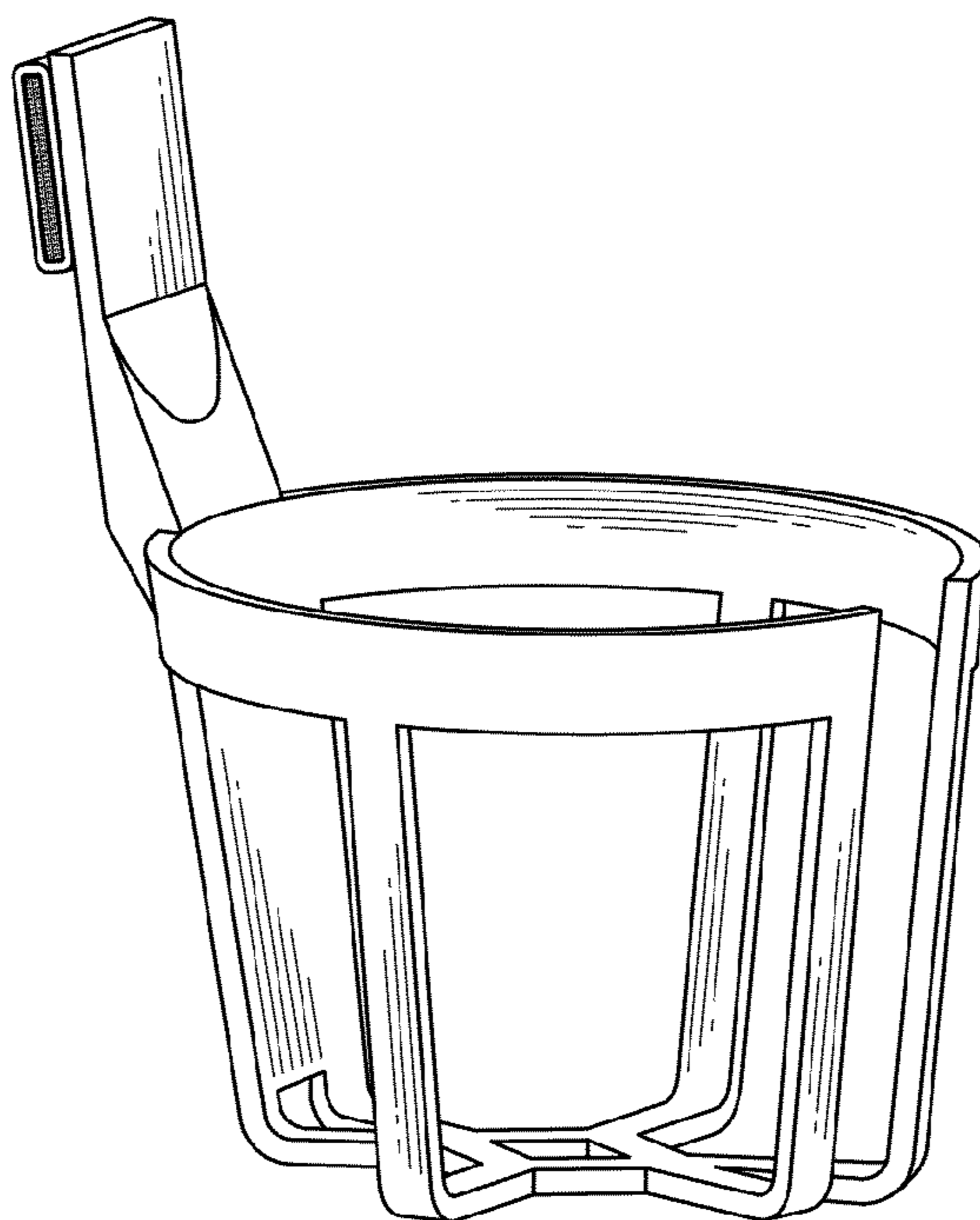


Fig. 1

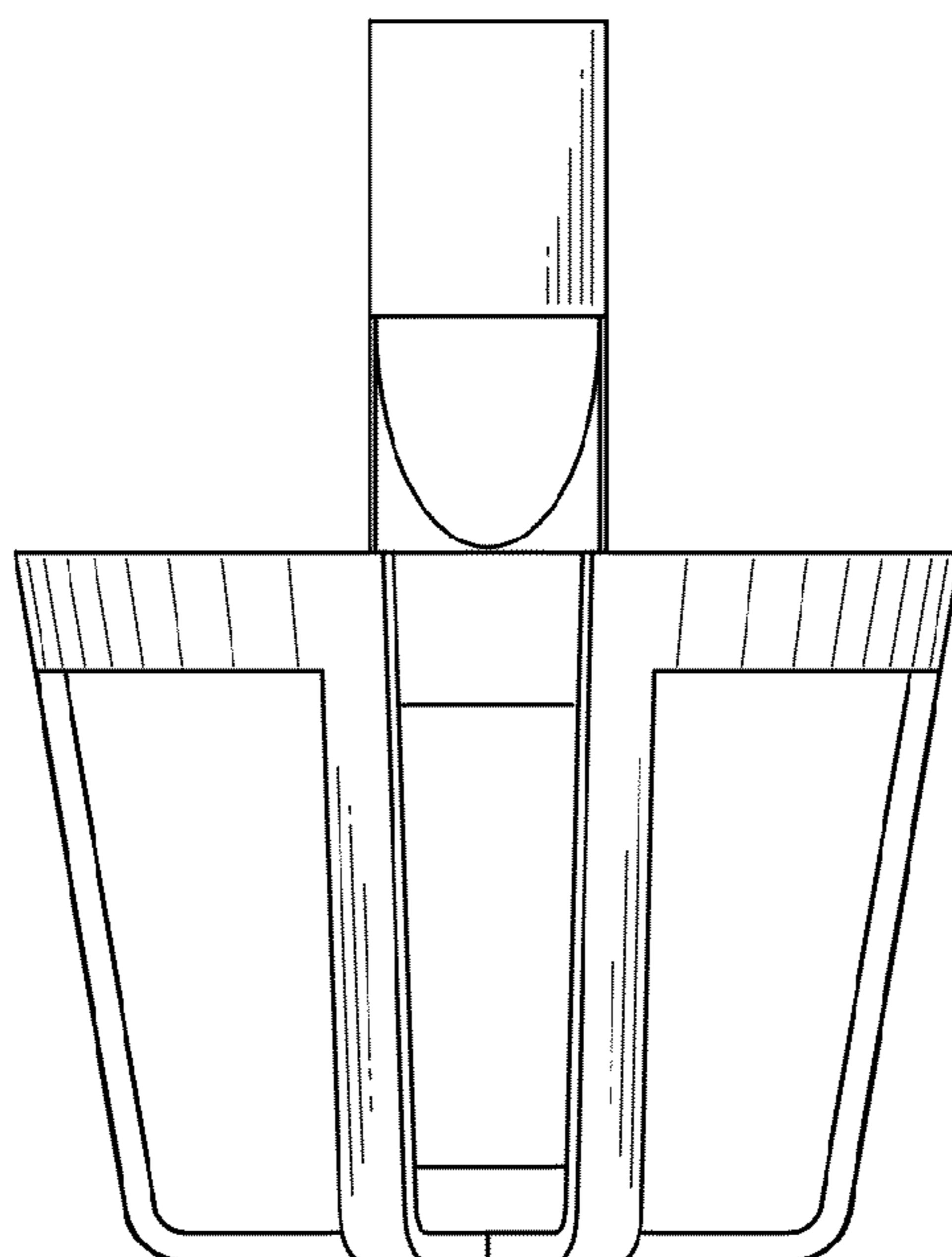


Fig. 2

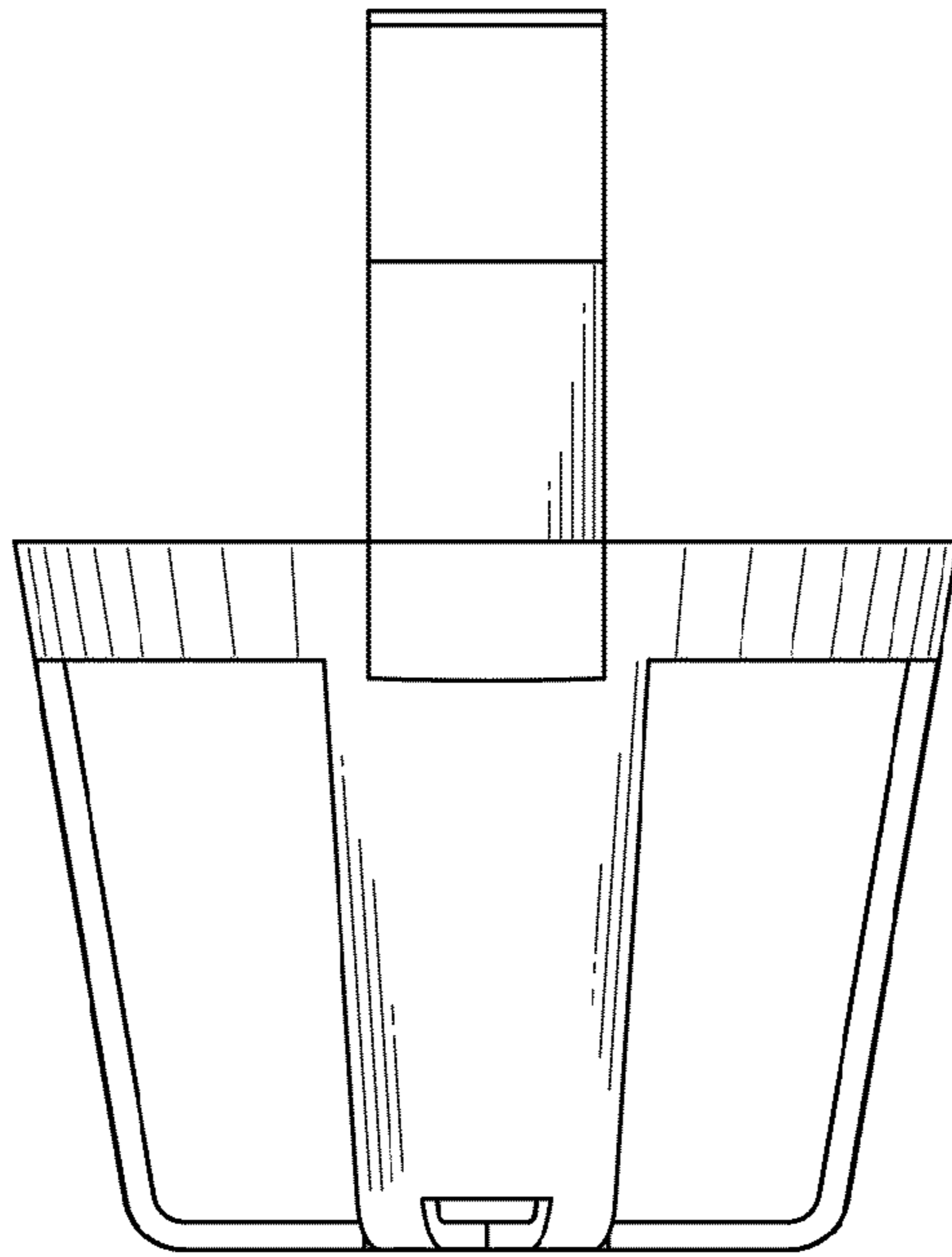


Fig. 3

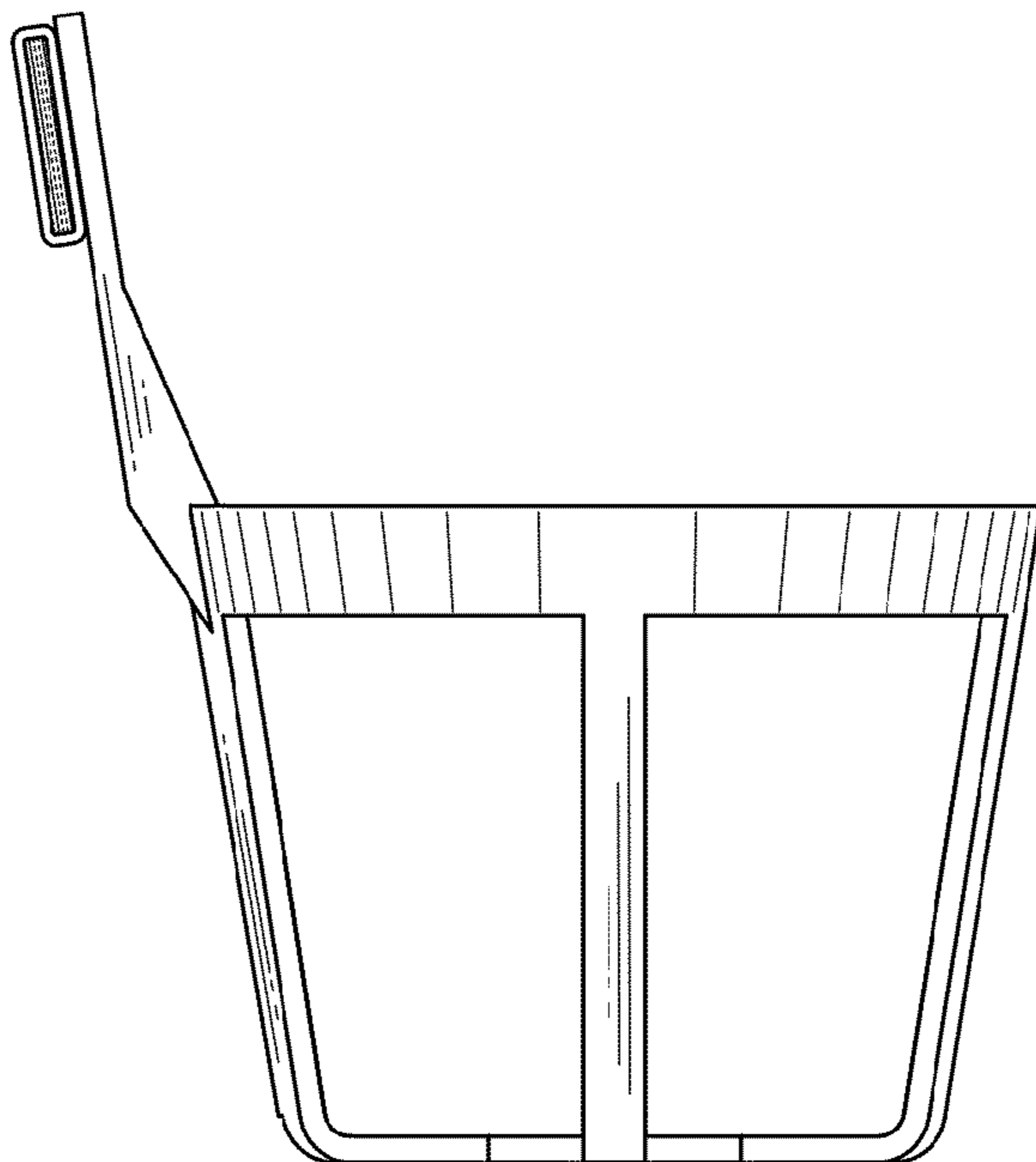


Fig. 4

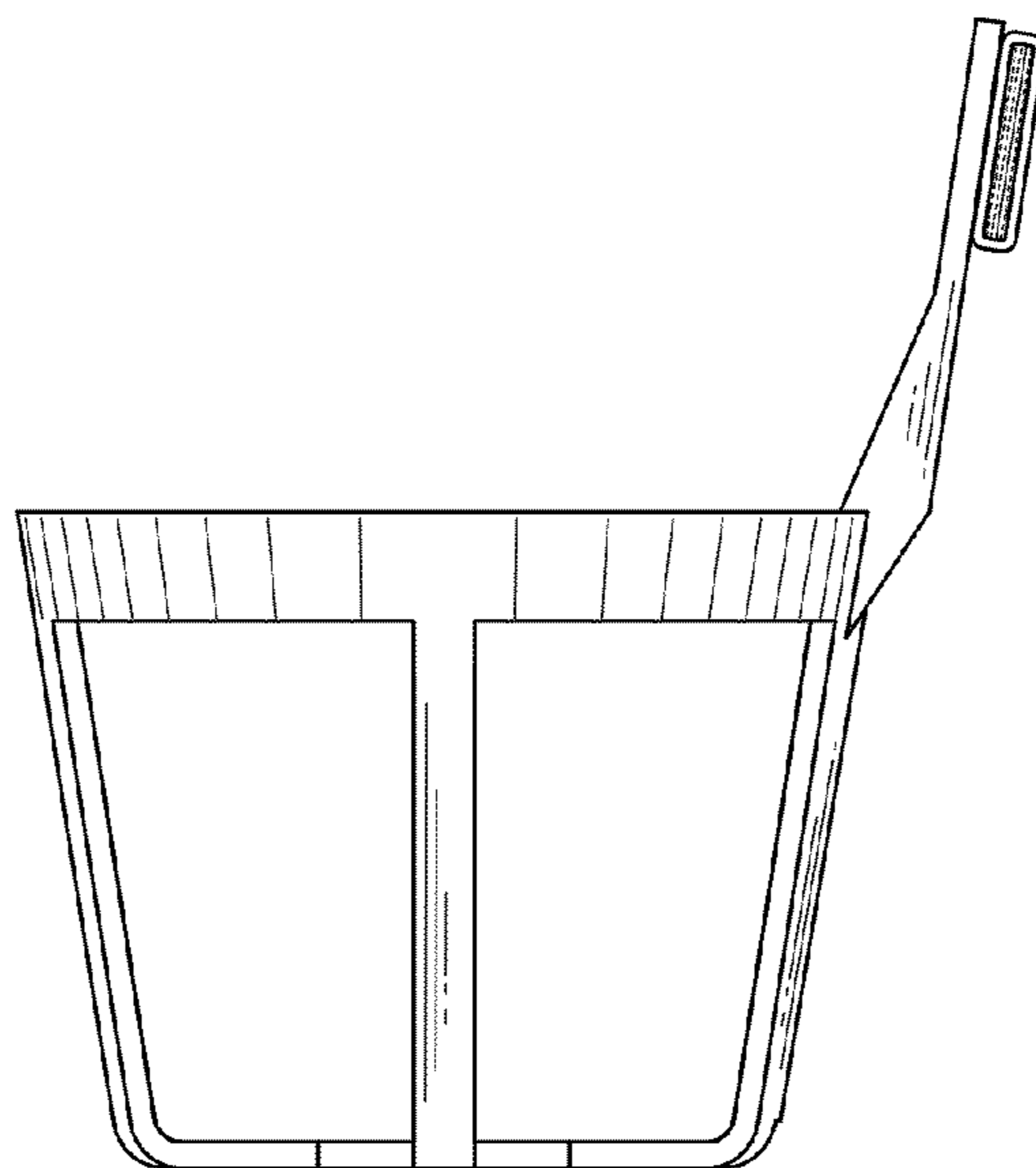


Fig. 5

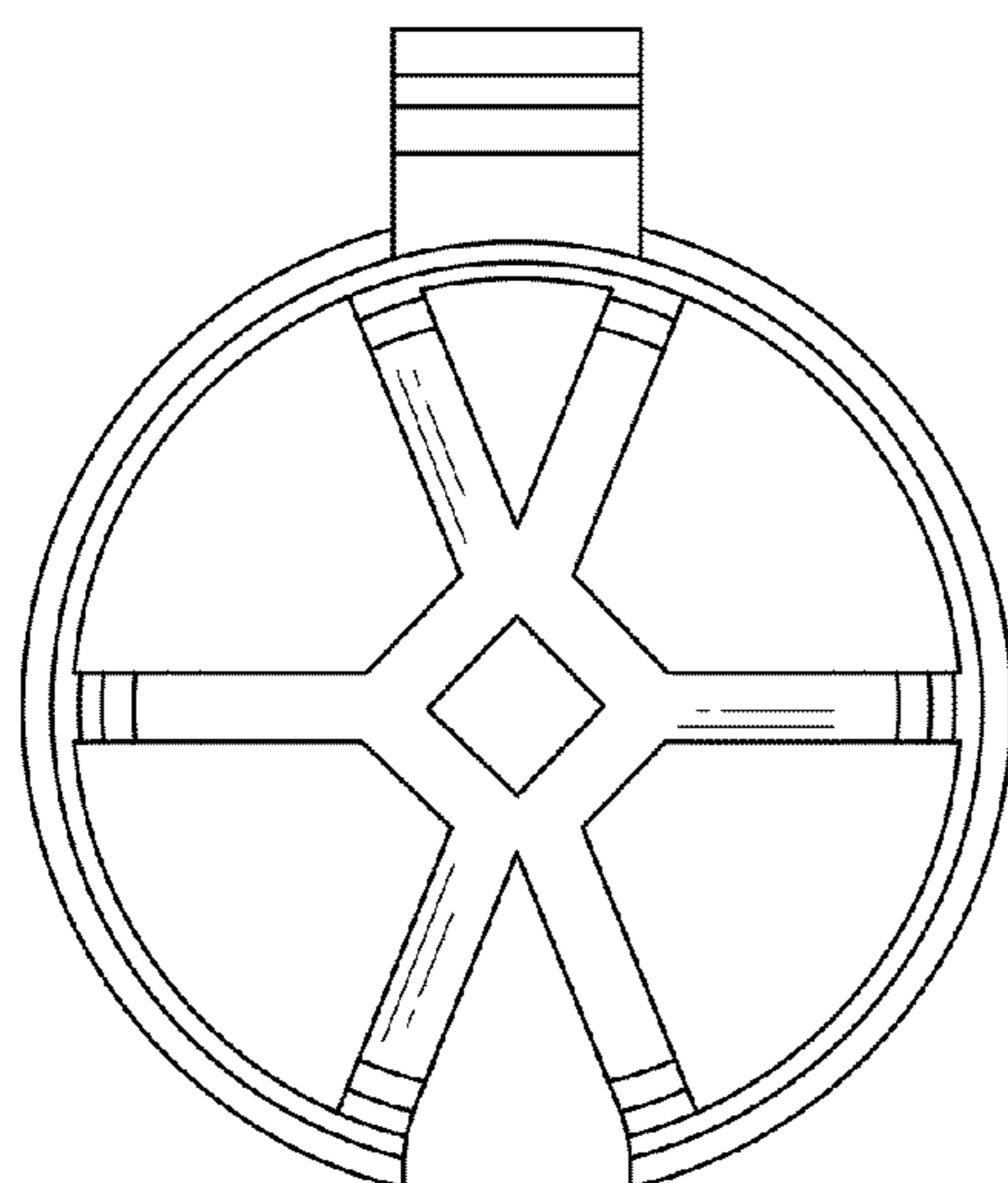


Fig. 6

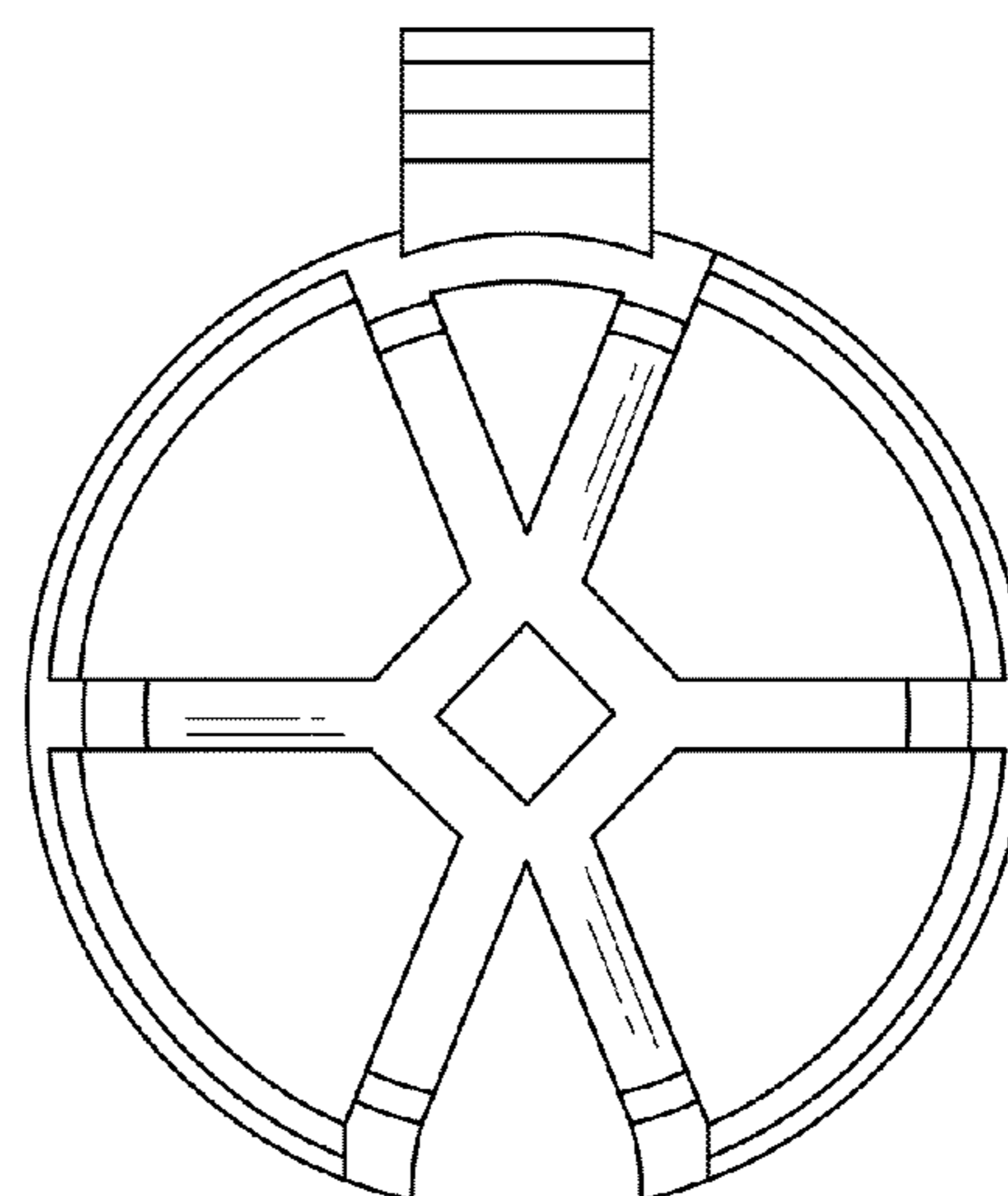


Fig. 7

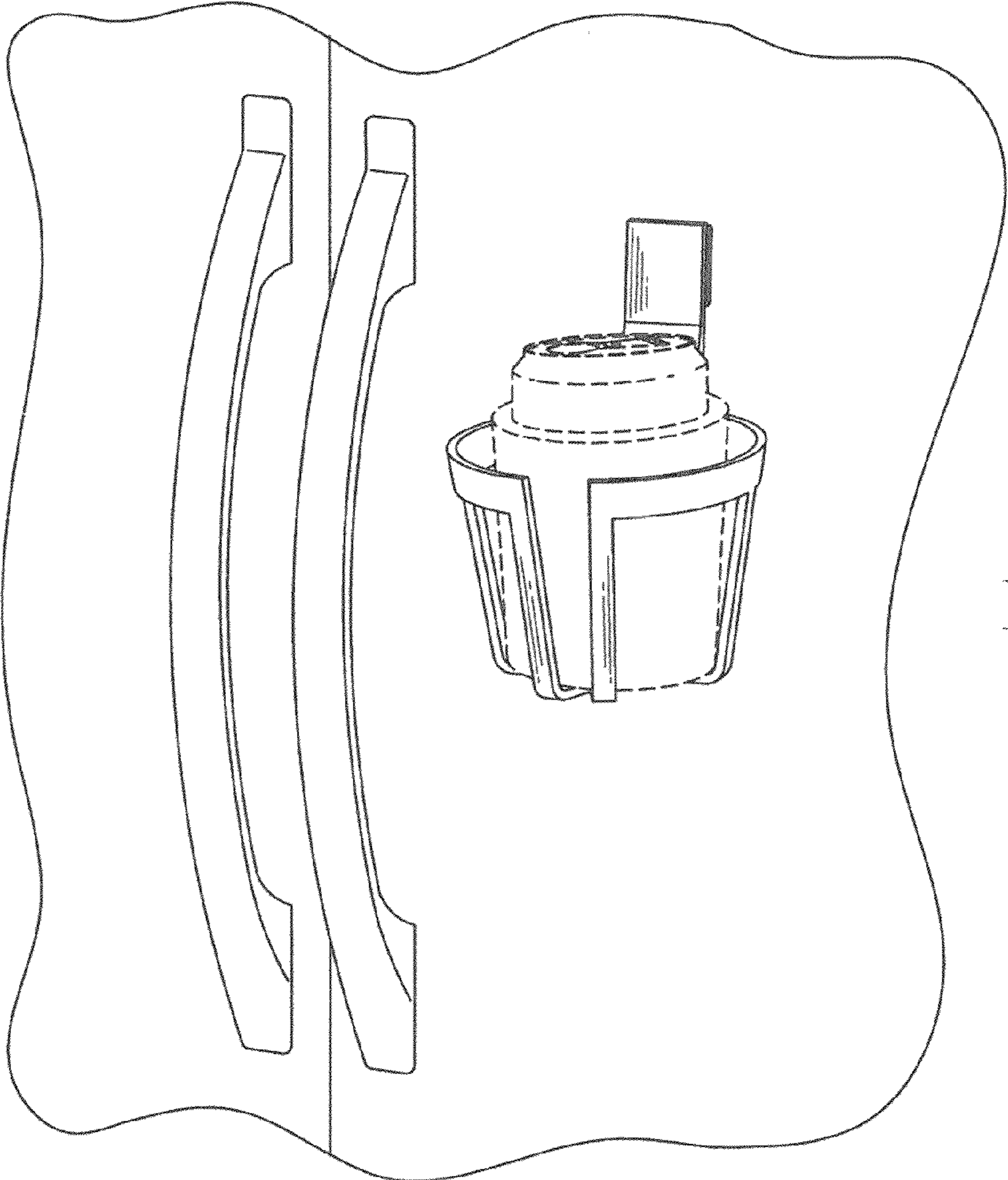


Fig. 8

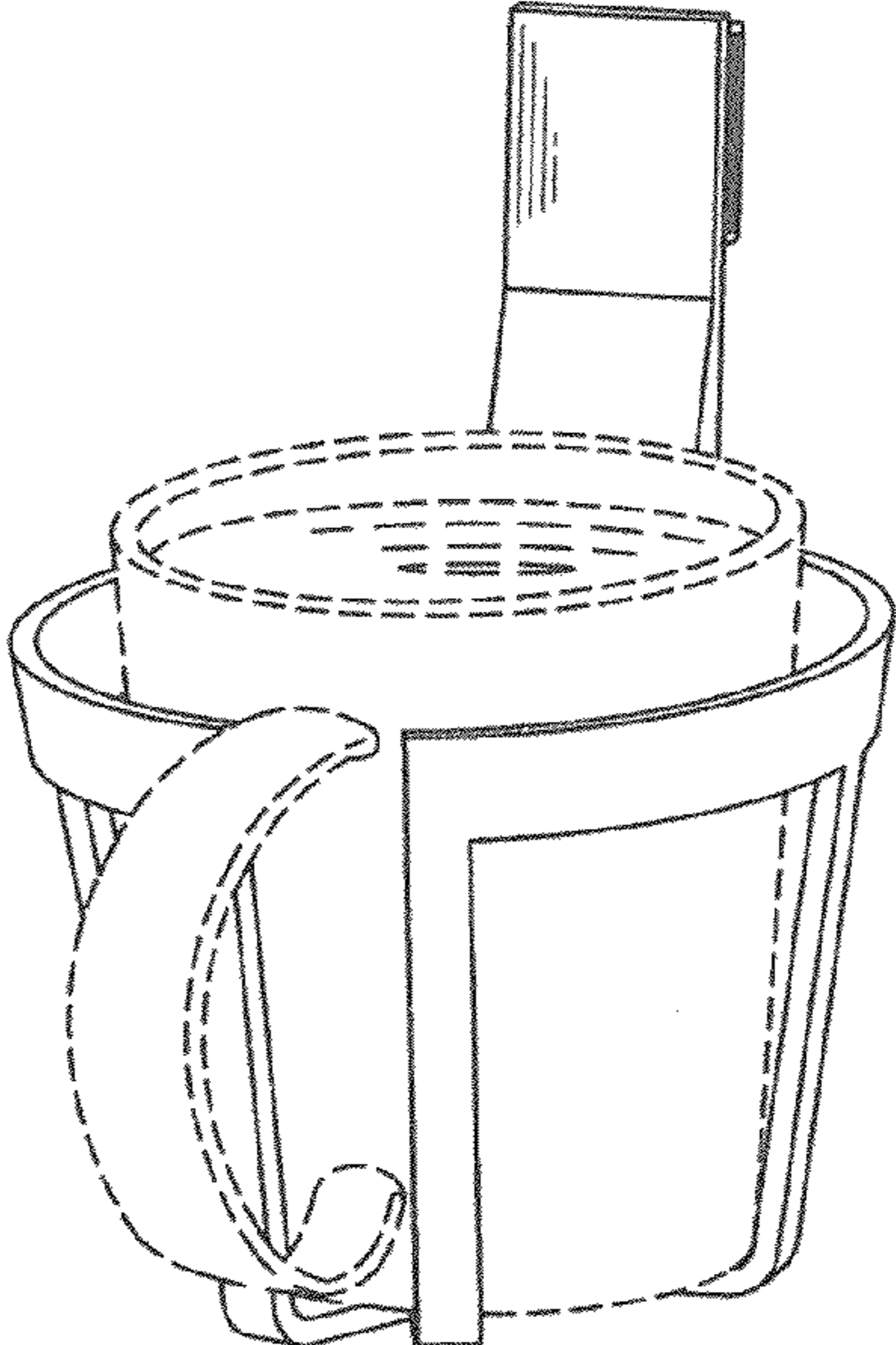


Fig. 9