



US00D726505S

(12) **United States Design Patent**
Naples et al.

(10) **Patent No.:** **US D726,505 S**
(45) **Date of Patent:** **** Apr. 14, 2015**

(54) **COOLER**

(71) Applicants: **Christine A. Naples**, Atlanta, GA (US);
Lauren A. Miller, Atlanta, GA (US);
Vince Voron, Duluth, GA (US); **Bradley**
Charles Williams, Peachtree City, GA
(US)

(72) Inventors: **Christine A. Naples**, Atlanta, GA (US);
Lauren A. Miller, Atlanta, GA (US);
Vince Voron, Duluth, GA (US); **Bradley**
Charles Williams, Peachtree City, GA
(US)

(73) Assignee: **The Coca-Cola Company**, Atlanta, GA
(US)

(**) Term: **14 Years**

(21) Appl. No.: **29/433,764**

(22) Filed: **Oct. 4, 2012**

(51) **LOC (10) Cl.** **07-01**

(52) **U.S. Cl.**
USPC **D7/605**; D15/81

(58) **Field of Classification Search**
CPC F25D 2331/803; F25D 2331/804;
F25D 2331/805; F25D 2331/806; F25D
2331/809; F25D 2400/38; F25D 31/00;
F25D 31/002; F25D 31/005; F25D 31/006;
F25D 31/007; F25D 31/008; F25D 1/00;
F25D 3/00; F25D 3/005; F25D 3/02; F25D
3/04; F25D 3/045; F25D 3/06; F25D 3/08;
F25D 3/102; F25D 3/105; F25D 3/107;
F25D 3/11; F25D 3/22; F25D 3/125; F25D
3/127; F25D 3/14; F25D 11/00; F25D 11/003;
F25D 5/02; F25D 2303/081; F25D 2303/082;
F25D 2303/0821; F25D 2303/083; F25D
2303/0841; A47F 3/00; A47F 3/04; A47F
3/0439; A47F 3/0408; A47F 3/0413; A47F
3/0417; A47F 3/0421; A47F 3/0426; A47F
3/043; A47F 3/0434; A47F 3/0452; A47F
3/0456; A47F 3/0465; A47F 3/0482; A47F
3/0486
USPC D7/603–608, 628, 629, 710; D15/79,
D15/80, 81, 82, 83, 85, 86, 88; 220/592.04,
220/592.05, 592.06, 592.07, 592.08,

220/592.14, 592.13, 592.12, 592.17,
220/592.18, 592.02, 592.11, 592.01,
220/592.03, 592.09, 592.16, 592.2, 915.1,
220/915.2; 62/457.1–457.9, 371, 372, 386,
62/464, 440, 246, 467, 531

See application file for complete search history.

(56) **References Cited**

U.S. PATENT DOCUMENTS

910,381	A *	1/1909	Hermann	607/80
2,992,873	A *	7/1961	Luscher	312/276
D251,969	S *	5/1979	Tucky	D34/19
D317,844	S *	7/1991	Stoddard et al.	D7/605
5,433,085	A *	7/1995	Rogers	62/372
D368,349	S *	3/1996	Skold	D34/1
5,564,288	A *	10/1996	Lewis	62/372
6,067,810	A *	5/2000	Jennings et al.	62/246
D429,120	S *	8/2000	Mount	D7/608
D434,610	S *	12/2000	Mount	D7/608
6,205,794	B1 *	3/2001	Brothers	62/51.1
D450,068	S *	11/2001	Gadrix et al.	D15/81

(Continued)

Primary Examiner — Ian Simmons

Assistant Examiner — Shannon Morgan

(74) *Attorney, Agent, or Firm* — Sutherland Asbill &
Brennan LLP

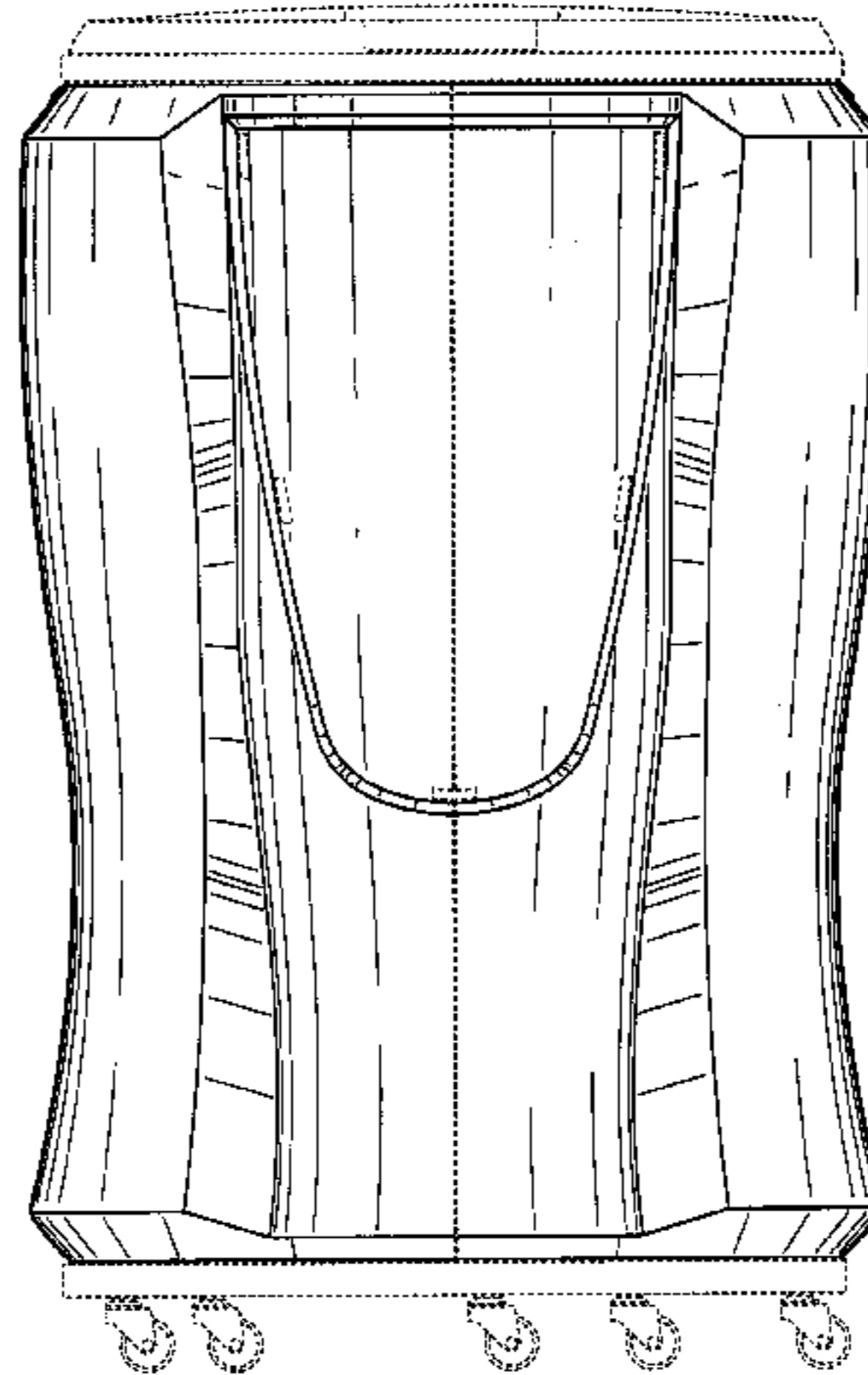
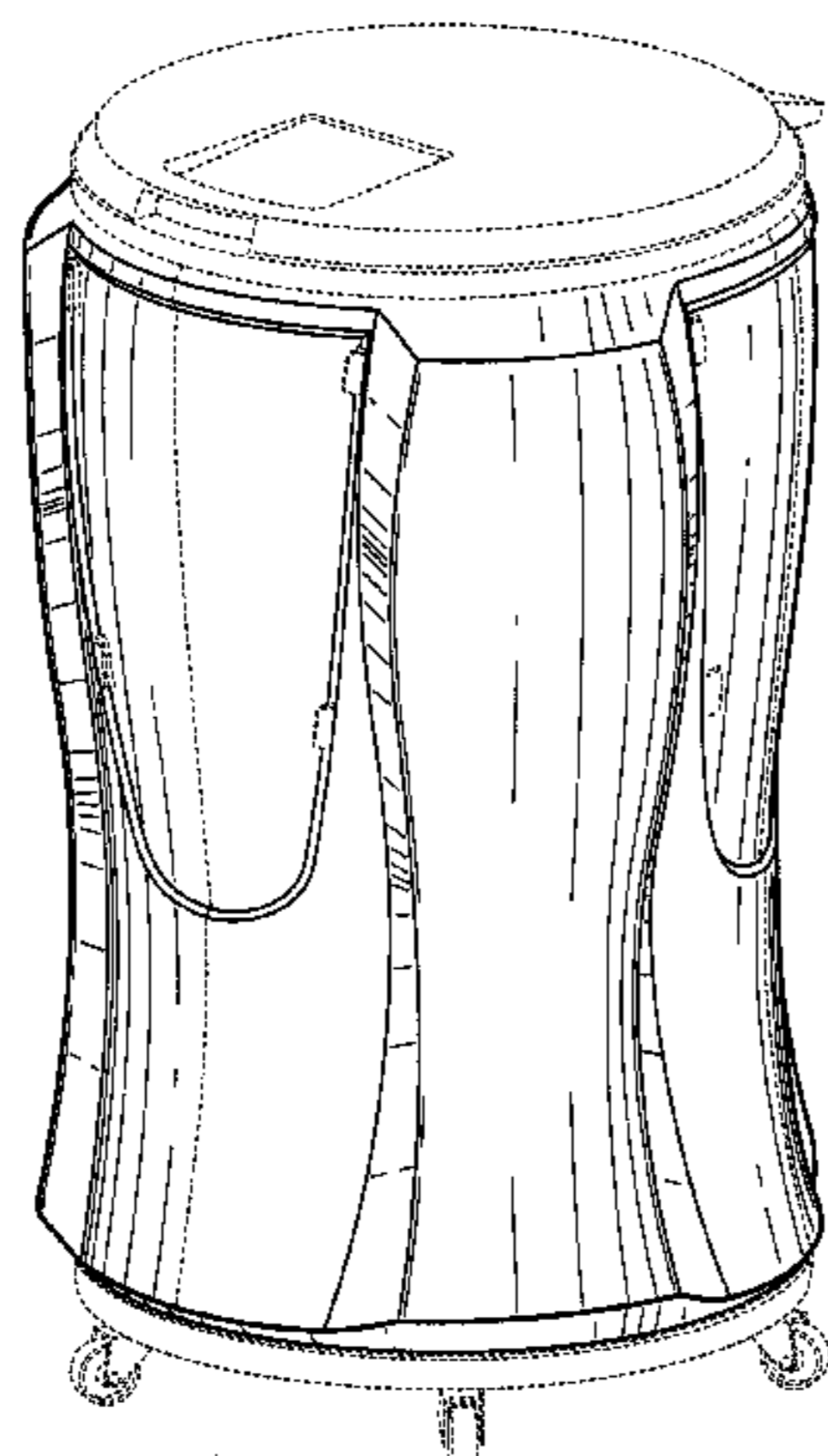
(57) **CLAIM**

The ornamental design for a cooler, as shown and described.

DESCRIPTION

FIG. 1 is a front side elevation view of a cooler showing our new design;
FIG. 2 is a rear, left perspective view;
FIG. 3 is a left side elevation view thereof;
FIG. 4 is a right side elevation view thereof;
FIG. 5 is a top plan view thereof;
FIG. 6 is a bottom plan view thereof; and,
FIG. 7 is a rear side elevation view thereof.
The broken lines in FIGS. 1-7 of the cooler are for the purpose of illustrating environment, and form no part of the claimed design.

1 Claim, 7 Drawing Sheets



(56)

References Cited

U.S. PATENT DOCUMENTS

D451,767 S * 12/2001 Kolpin D7/607
D496,054 S * 9/2004 Flum D15/83
D573,481 S * 7/2008 Chewing et al. D9/560
D594,482 S * 6/2009 Roekens et al. D15/81

D618,965 S * 7/2010 Voron et al. D7/605
D620,762 S * 8/2010 Tolle D7/605
D625,341 S * 10/2010 Voron et al. D15/81
D643,986 S * 8/2011 Soto et al. D34/1
2013/0048648 A1* 2/2013 Robertson et al. 220/592.02
2014/0110912 A1* 4/2014 Primiano 280/79.2

* cited by examiner

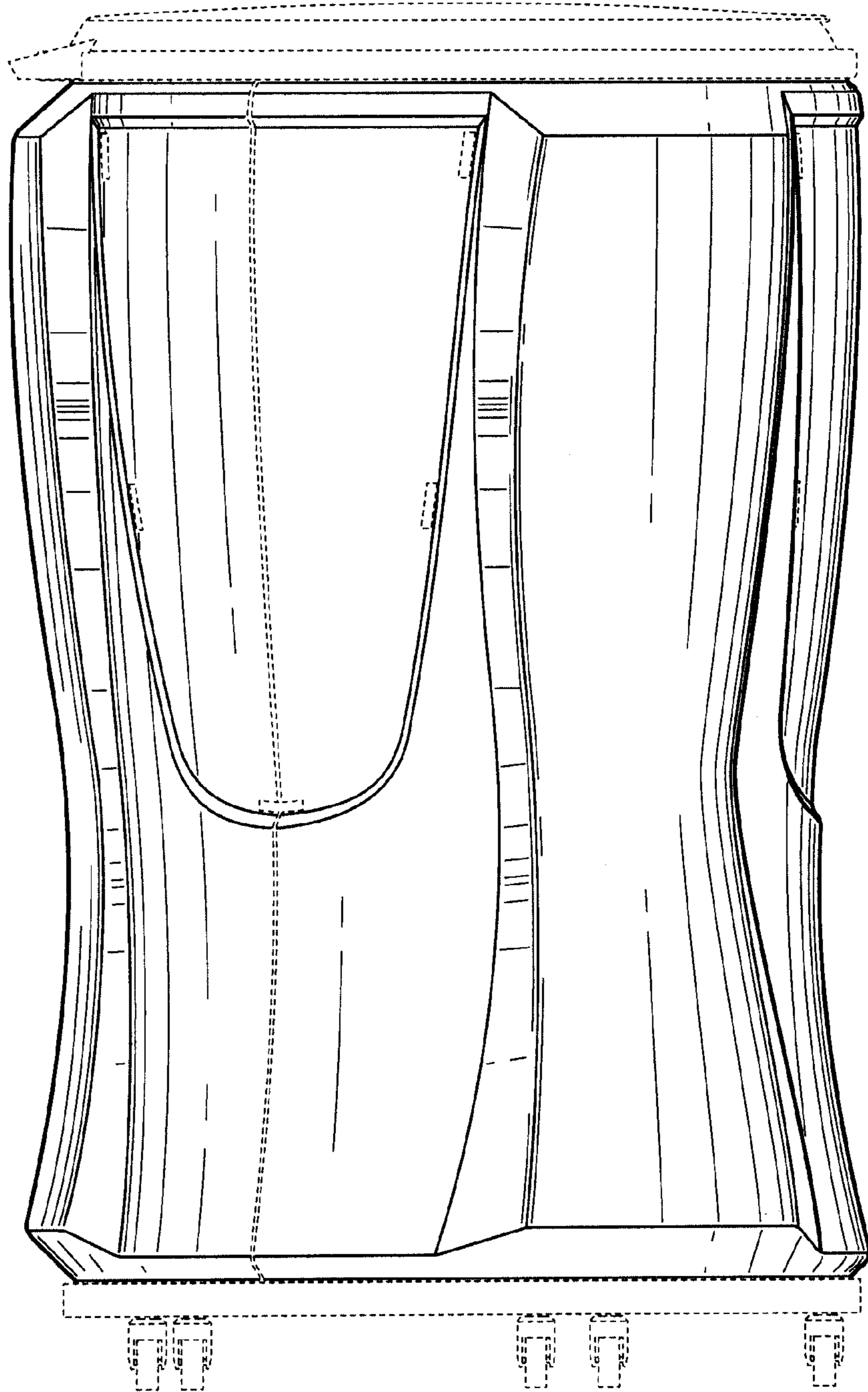


FIG. 1

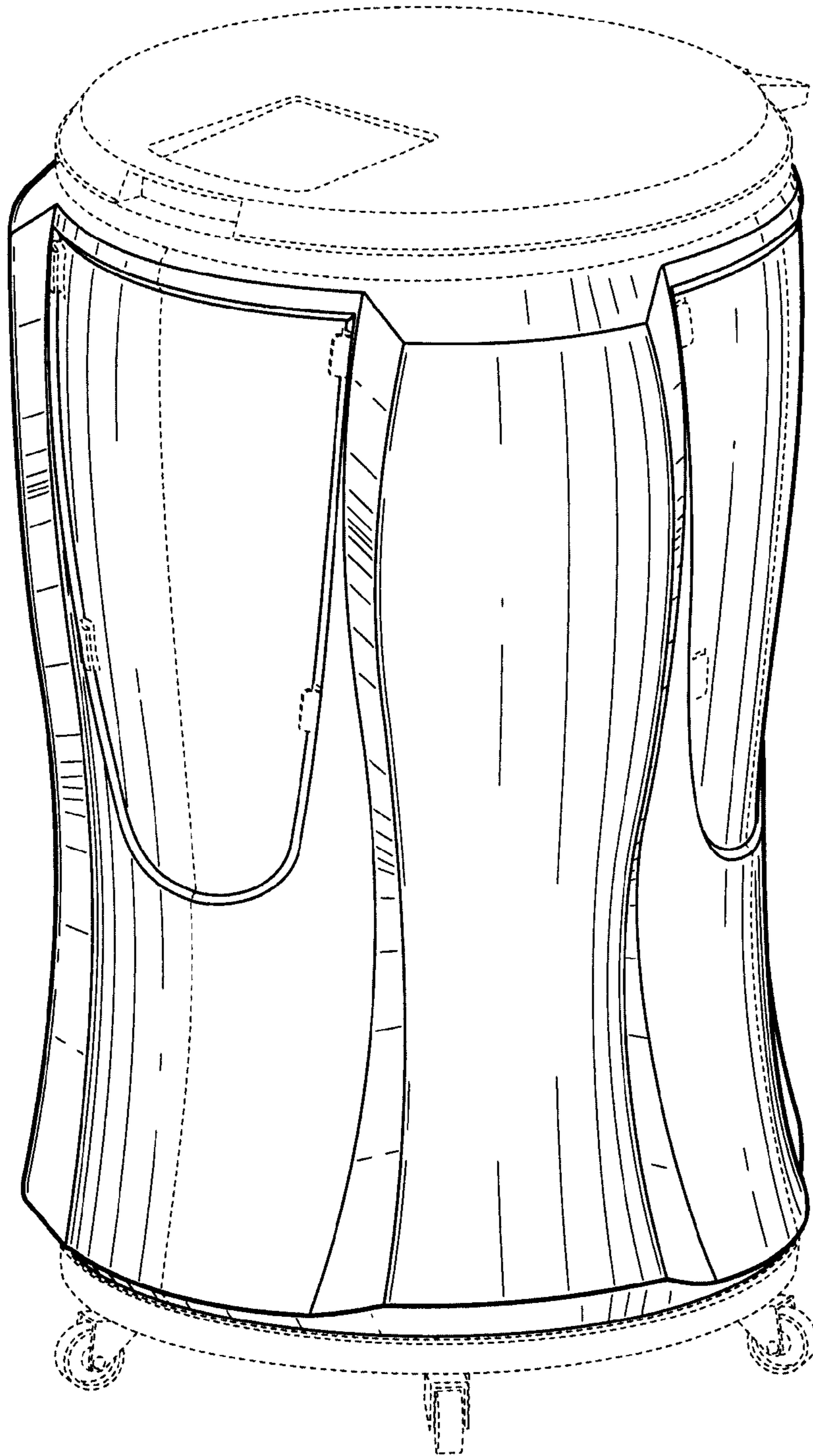


FIG. 2

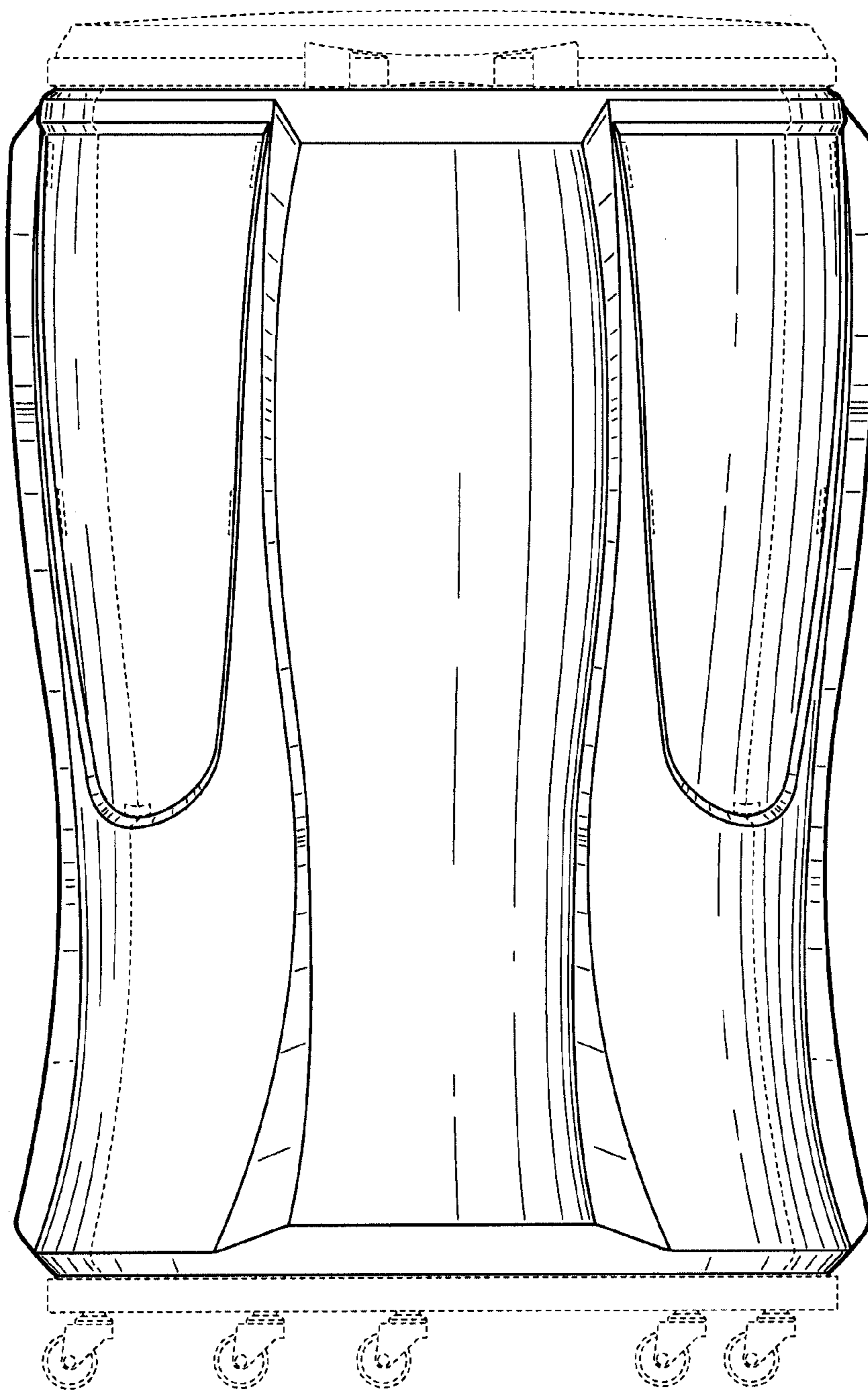


FIG. 3

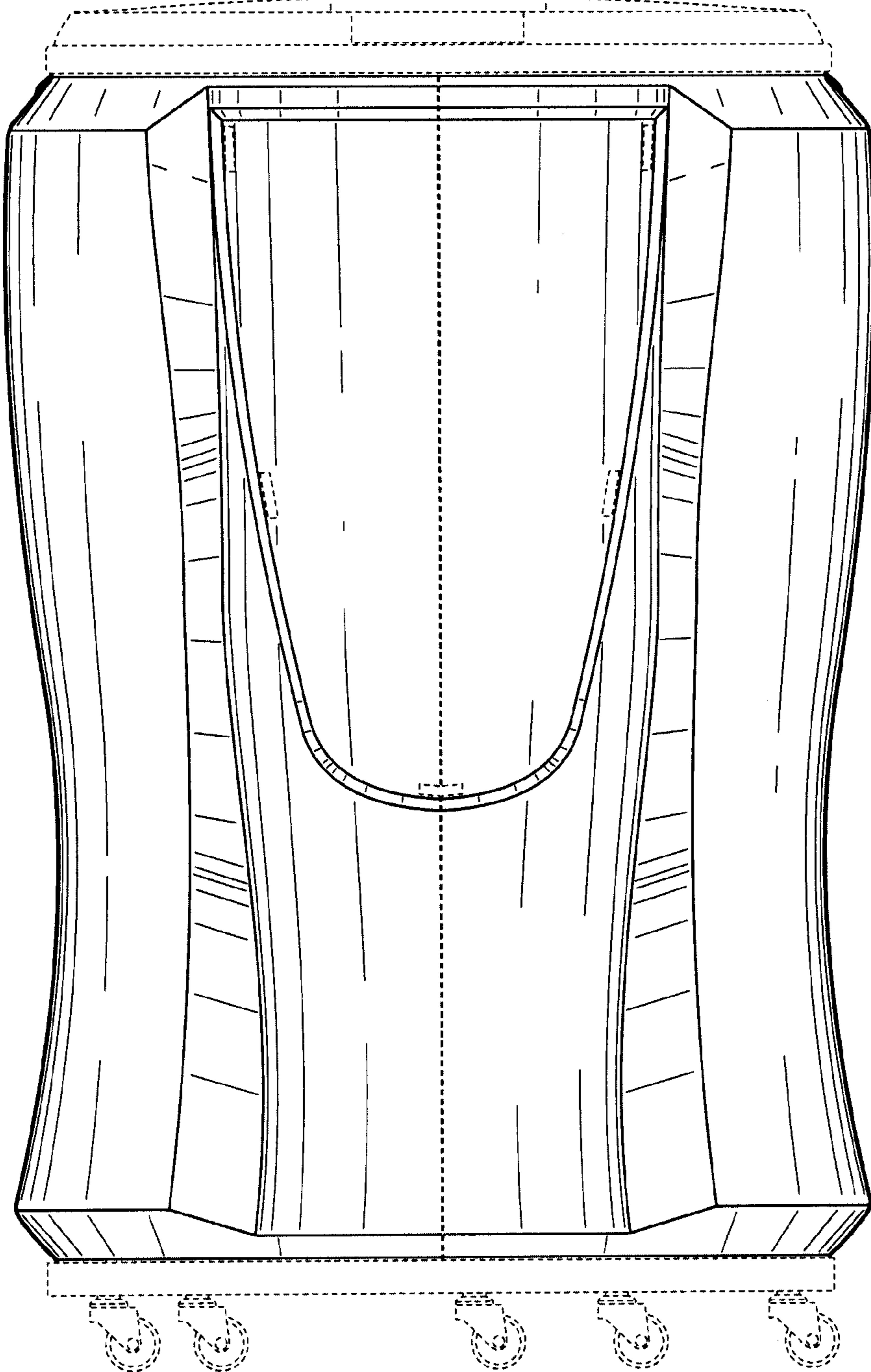


FIG. 4

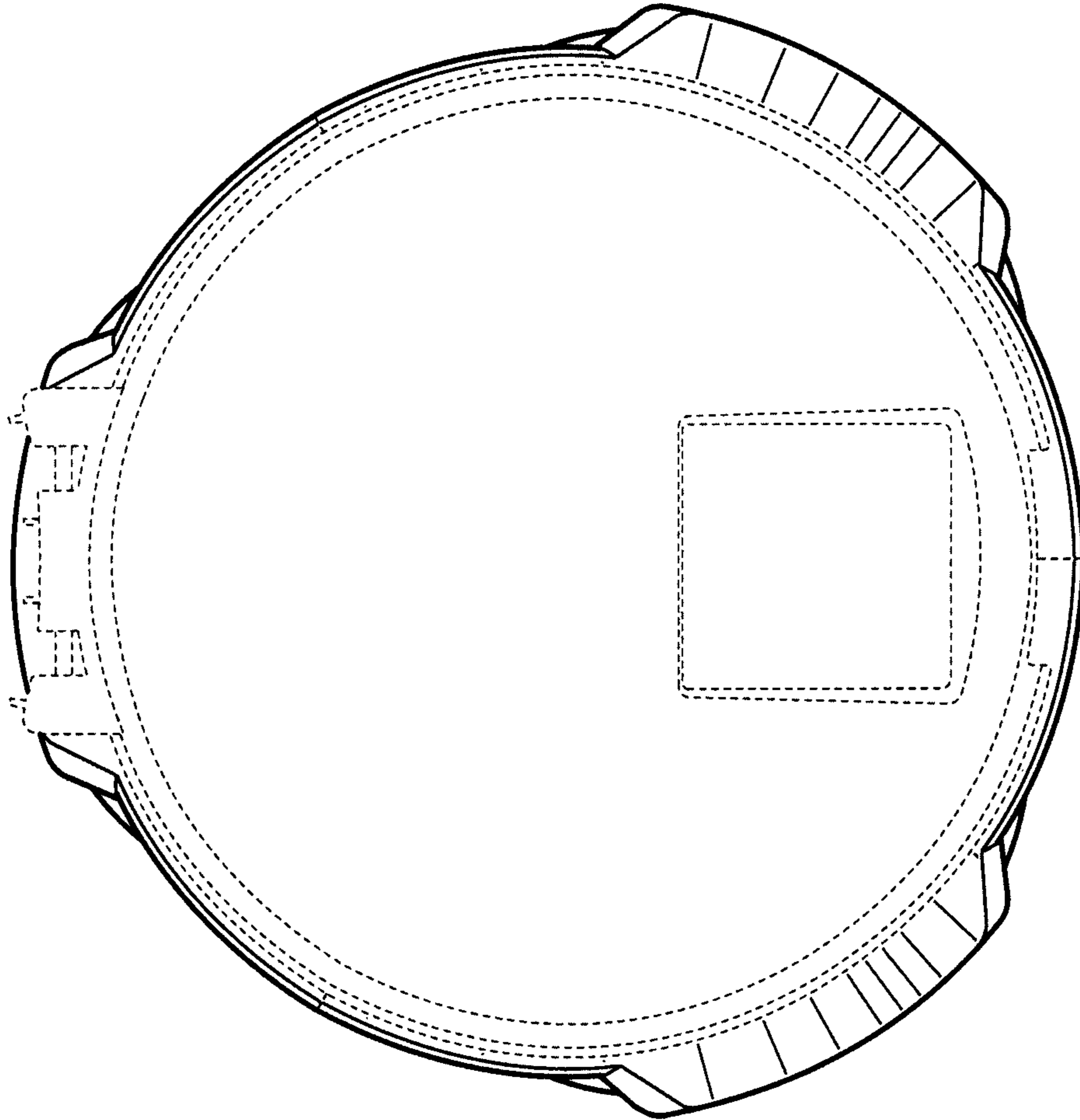


FIG. 5

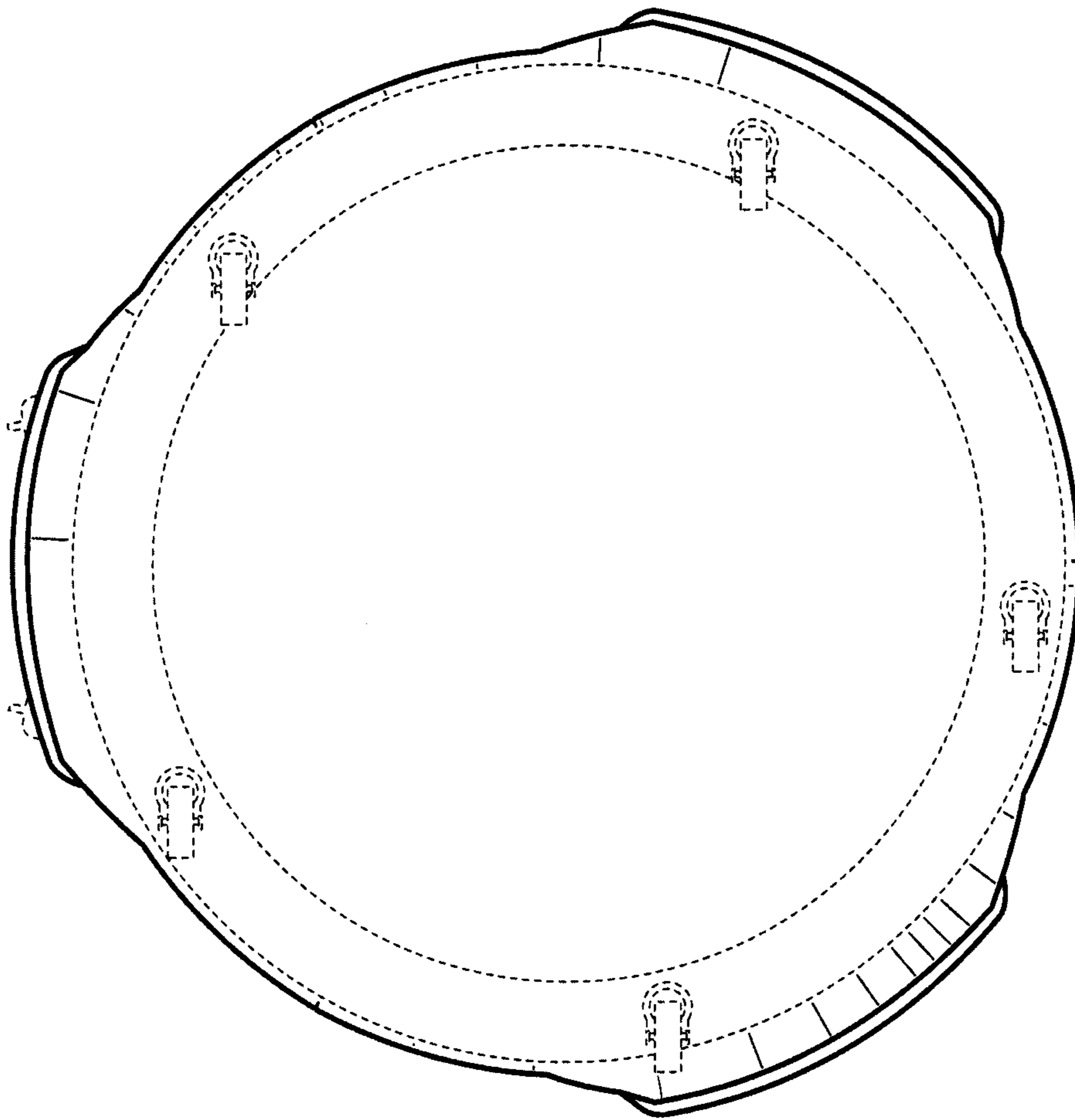


FIG. 6

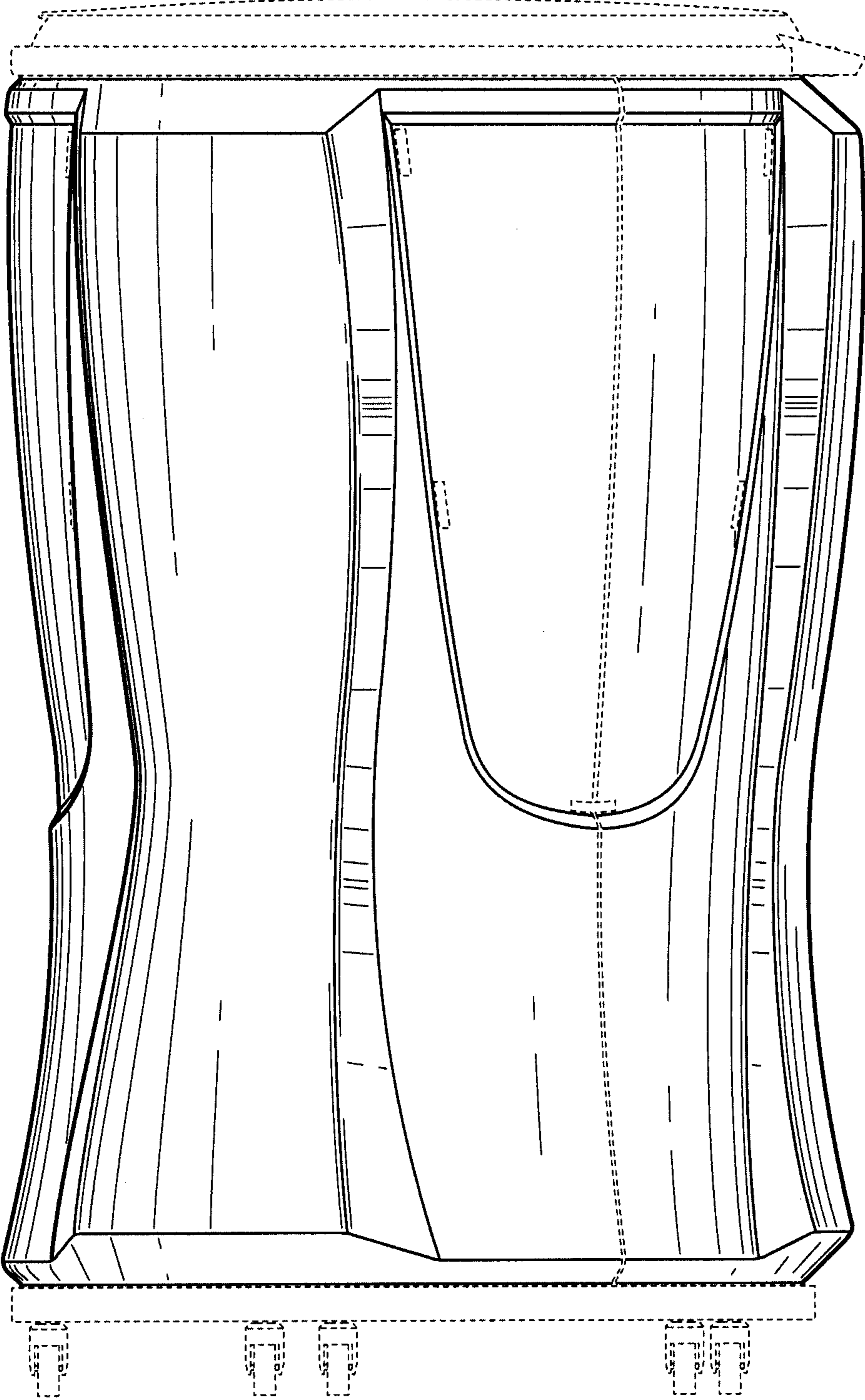


FIG. 7