



US00D726502S

(12) **United States Design Patent**
Broen et al.

(10) **Patent No.:** **US D726,502 S**
(45) **Date of Patent:** **** Apr. 14, 2015**

- (54) **CUP**
- (71) Applicant: **PepsiCo, Inc.**, Purchase, NY (US)
- (72) Inventors: **Martin Eduardo Broen**, New York, NY (US); **Christopher Erlin Granneberg**, Brooklyn, NY (US)
- (73) Assignee: **PepsiCo, Inc.**, Purchase, NY (US)
- (**) Term: **14 Years**
- (21) Appl. No.: **29/473,519**
- (22) Filed: **Nov. 22, 2013**
- (51) **LOC (10) Cl.** **07-01**
- (52) **U.S. Cl.**
USPC **D7/529; D7/509; D7/535; D7/523; D7/532; D7/537**
- (58) **Field of Classification Search**
CPC **A47G 19/2205; A47G 19/22**
USPC **D7/524, 509, 519, 523, 533, 525, 528, D7/532, 531, 535, 536, 537, 543, 539, 545, D7/560, 578, 573, 595, 601, 619.1, 619.2, D7/624.1, 213, 389, 624.2, 625, 520, 514, D7/517, 529; D9/564, 565, 566, 567, 571, D9/574, 540, 531, 509, 524; 220/592.17, 220/592.16, 23.6, 710.5, 771, 669, 703, 220/630; 221/141; 426/86; 215/398, 377**
See application file for complete search history.

D234,110 S *	1/1975	Achenbach	D7/532
D234,111 S *	1/1975	Achenbach	D7/524
D242,416 S *	11/1976	Achenbach	D7/532
D244,502 S *	5/1977	Harbaugh et al.	D7/532
D253,216 S *	10/1979	Trombly	D7/509
D303,930 S	10/1989	Durand	
D364,781 S *	12/1995	Fenton et al.	D7/624.2
D379,154 S	5/1997	Cox	
D381,272 S	7/1997	Coons	
D383,679 S	9/1997	Wilson et al.	
D429,166 S	8/2000	Ogg	
6,189,715 B1 *	2/2001	Dubois	215/374
D441,291 S *	5/2001	Lichtman et al.	D9/502
D454,278 S *	3/2002	Kerman	D7/509
D455,964 S	4/2002	Patterson	
D456,214 S *	4/2002	Wyche	D7/523
D466,415 S	12/2002	Reis	
D477,061 S	7/2003	Schriefer	
D483,610 S *	12/2003	Kerman	D7/523
D486,036 S *	2/2004	Chuang	D7/529
D496,280 S	9/2004	Mero et al.	
D503,073 S *	3/2005	Lapsker	D7/532
D503,341 S	3/2005	Delmotte	
D506,142 S *	6/2005	Gauthier	D9/560

(Continued)

Primary Examiner — Marianne Pandozzi
Assistant Examiner — Jae Liang
(74) *Attorney, Agent, or Firm* — Banner & Witcoff, Ltd.

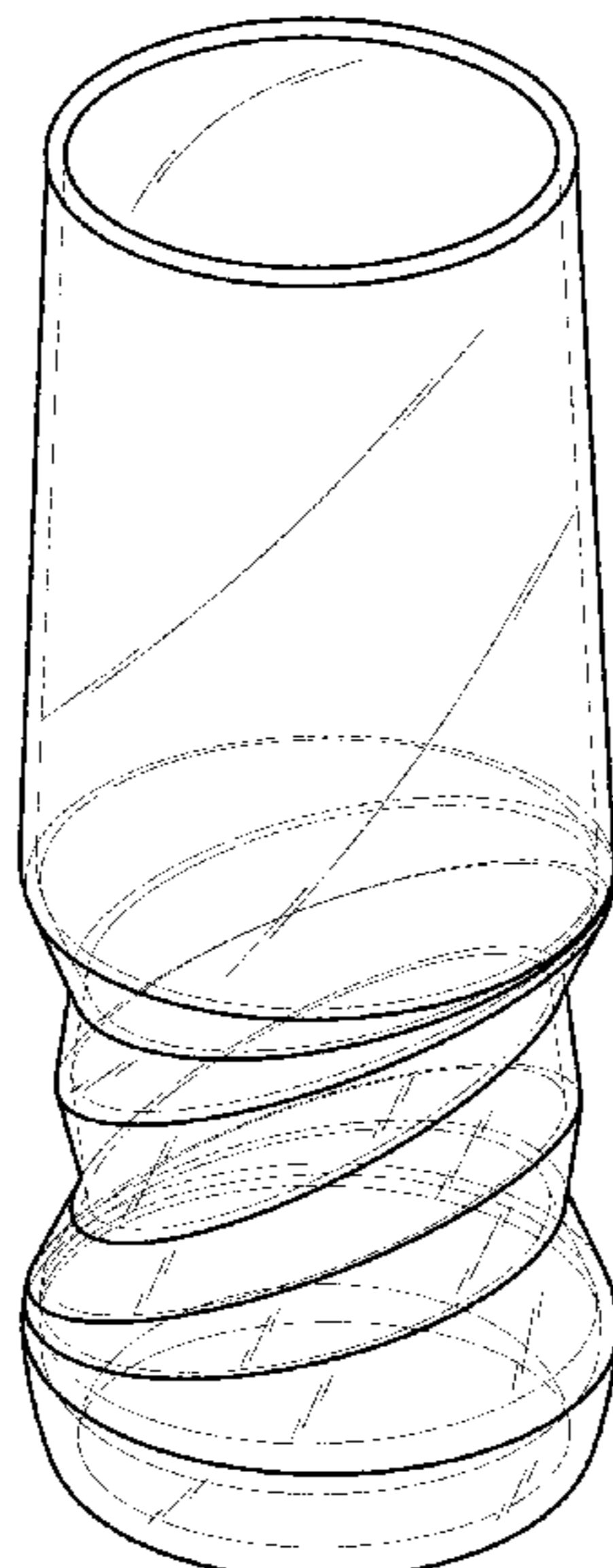
(57) **CLAIM**
The ornamental design for a cup, as shown and described.

DESCRIPTION

FIG. 1 is a top, front perspective view of a cup showing our new design;
FIG. 2 is a front view thereof;
FIG. 3 is a right side view thereof;
FIG. 4 is a rear view thereof;
FIG. 5 is a left side view thereof;
FIG. 6 is a top view thereof; and,
FIG. 7 is a bottom view thereof.

1 Claim, 6 Drawing Sheets

- (56) **References Cited**
U.S. PATENT DOCUMENTS
- D110,278 S * 6/1938 Fuerst D7/532
- D124,317 S * 12/1940 Lundy D7/532
- D185,649 S * 7/1959 Schlumbohm D7/523
- D224,383 S 7/1972 Mascia et al.
- D224,798 S * 9/1972 Benes D7/529
- D226,179 S 1/1973 Bystedt et al.
- D227,862 S 7/1973 Mascia et al.



(56)

References Cited

U.S. PATENT DOCUMENTS

D506,931 S	7/2005	Delmotte	
D509,746 S	9/2005	Mero et al.	
D510,025 S	9/2005	Venkataraman et al.	
D525,132 S	7/2006	Todd	
D532,314 S	11/2006	Todd	
D536,582 S *	2/2007	Roth et al.	D7/629
7,228,981 B2 *	6/2007	Chisholm	215/382
D550,020 S *	9/2007	Pettaweebuncha	D7/317
D553,504 S	10/2007	Goto et al.	
D555,430 S *	11/2007	Tien	D7/532
D556,513 S *	12/2007	Yelland	D7/532
D556,579 S	12/2007	Goto et al.	
D556,587 S	12/2007	Kruparova	
D558,582 S	1/2008	Venkataraman et al.	
D560,500 S	1/2008	Venkataraman et al.	
D561,596 S	2/2008	Hyde et al.	
D561,597 S	2/2008	Venkataraman et al.	
D561,598 S	2/2008	Dellevigne	
D565,961 S	4/2008	Dellevigne	
D568,158 S	5/2008	Dellevigne	
D568,159 S	5/2008	Dellevigne	
D568,166 S	5/2008	Dellevigne	
D569,255 S	5/2008	Venkataraman et al.	
D569,256 S	5/2008	Venkataraman et al.	
D570,220 S	6/2008	Venkataraman et al.	
D570,691 S	6/2008	Robbins, III et al.	
D570,693 S	6/2008	Venkataraman et al.	
D570,694 S	6/2008	Venkataraman et al.	
D570,695 S	6/2008	Venkataraman et al.	
D571,215 S	6/2008	Venkataraman et al.	
D571,668 S	6/2008	Dellevigne	
D573,029 S	7/2008	Venkataraman et al.	
D573,472 S	7/2008	Venkataraman et al.	
D573,477 S	7/2008	Caldwell	
D576,042 S	9/2008	Dellevigne	
D576,049 S	9/2008	Trollope et al.	
D576,886 S	9/2008	Venkataraman et al.	
D581,285 S	11/2008	Lepoitevin	
D581,799 S	12/2008	Bourne	
D582,780 S	12/2008	Bourne	
D584,627 S	1/2009	Lepoitevin	
D584,628 S	1/2009	Lepoitevin	
D584,630 S	1/2009	Darr et al.	
D589,804 S	4/2009	Lovelace, Jr. et al.	
D602,782 S	10/2009	Lepoitevin	
D604,169 S	11/2009	Melossi	
D609,105 S	2/2010	Tiefenback	
D612,733 S	3/2010	Eugui et al.	
D614,917 S *	5/2010	Calco	D7/509
D616,762 S	6/2010	Caldwell et al.	
D619,897 S *	7/2010	Arnell	D9/516
D621,264 S	8/2010	Williams	
D621,276 S	8/2010	Bourne	
D621,711 S	8/2010	Williams	
D623,950 S	9/2010	Eugui et al.	
D623,951 S	9/2010	Eugui et al.	
D626,787 S *	11/2010	Holscher	D7/532
D634,162 S *	3/2011	Holscher	D7/532
D634,582 S *	3/2011	Holscher	D7/532
D637,908 S	5/2011	Fleischhacker et al.	
D639,113 S *	6/2011	Hayes	D7/509
D643,723 S	8/2011	Snyder et al.	
D644,929 S	9/2011	White et al.	
D646,926 S *	10/2011	Willat et al.	D7/509
D648,222 S	11/2011	Snyder et al.	
D652,307 S	1/2012	White et al.	
D652,397 S	1/2012	Lewis	
D654,320 S *	2/2012	McClellan et al.	D7/525
8,181,816 B2 *	5/2012	Allen	220/703
D675,876 S *	2/2013	Penttinen	D7/532
D676,755 S	2/2013	Hein	
D687,263 S *	8/2013	Chiorazzi et al.	D7/529
D695,075 S *	12/2013	Riedel	D7/523
D700,519 S	3/2014	Eaton et al.	
D713,205 S *	9/2014	Katterheinrich et al.	D7/524
2014/0091101 A1 *	4/2014	Chiorazzi et al.	220/669

* cited by examiner

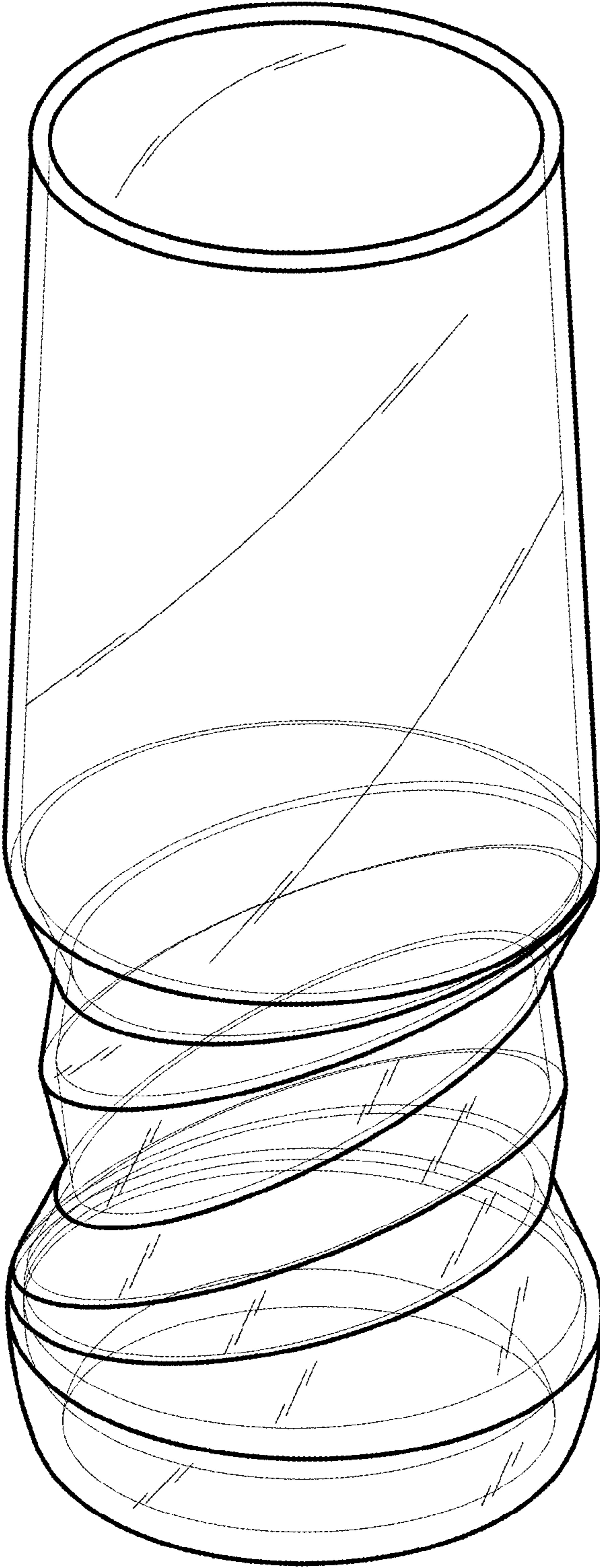


FIG. 1

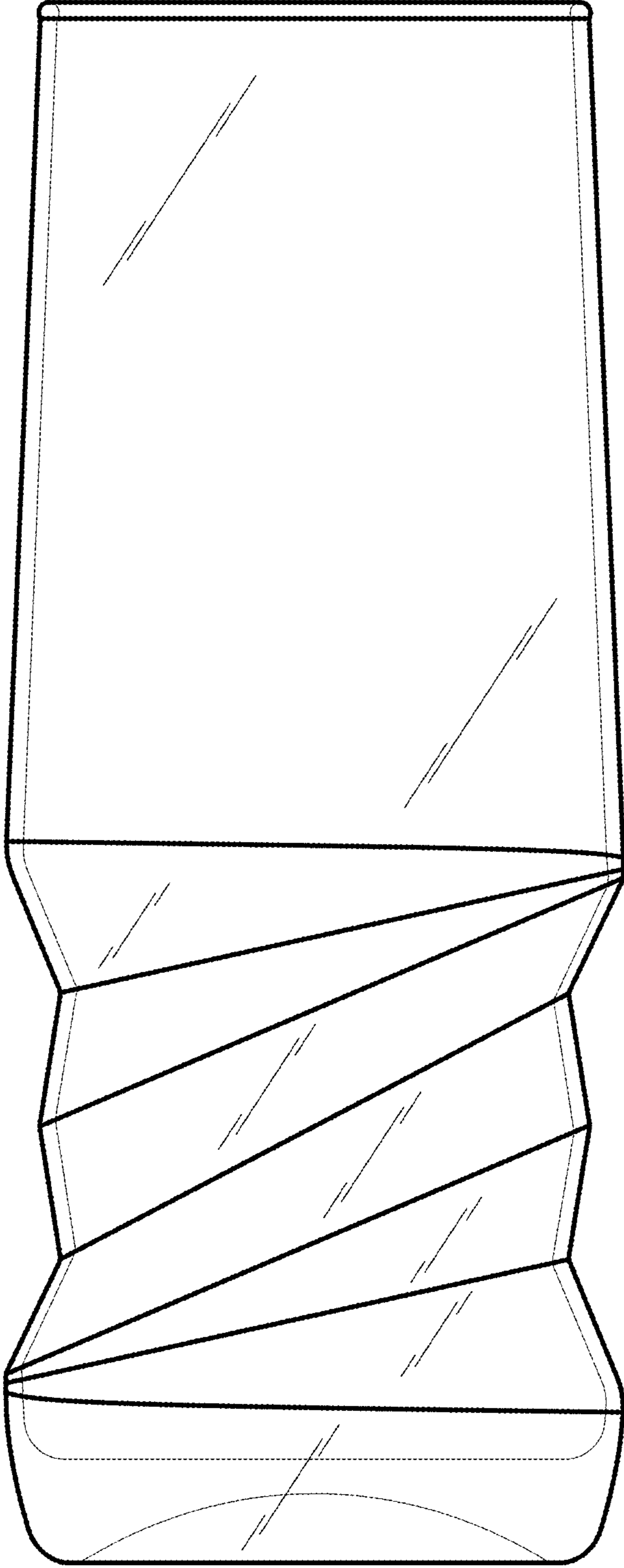


FIG. 2

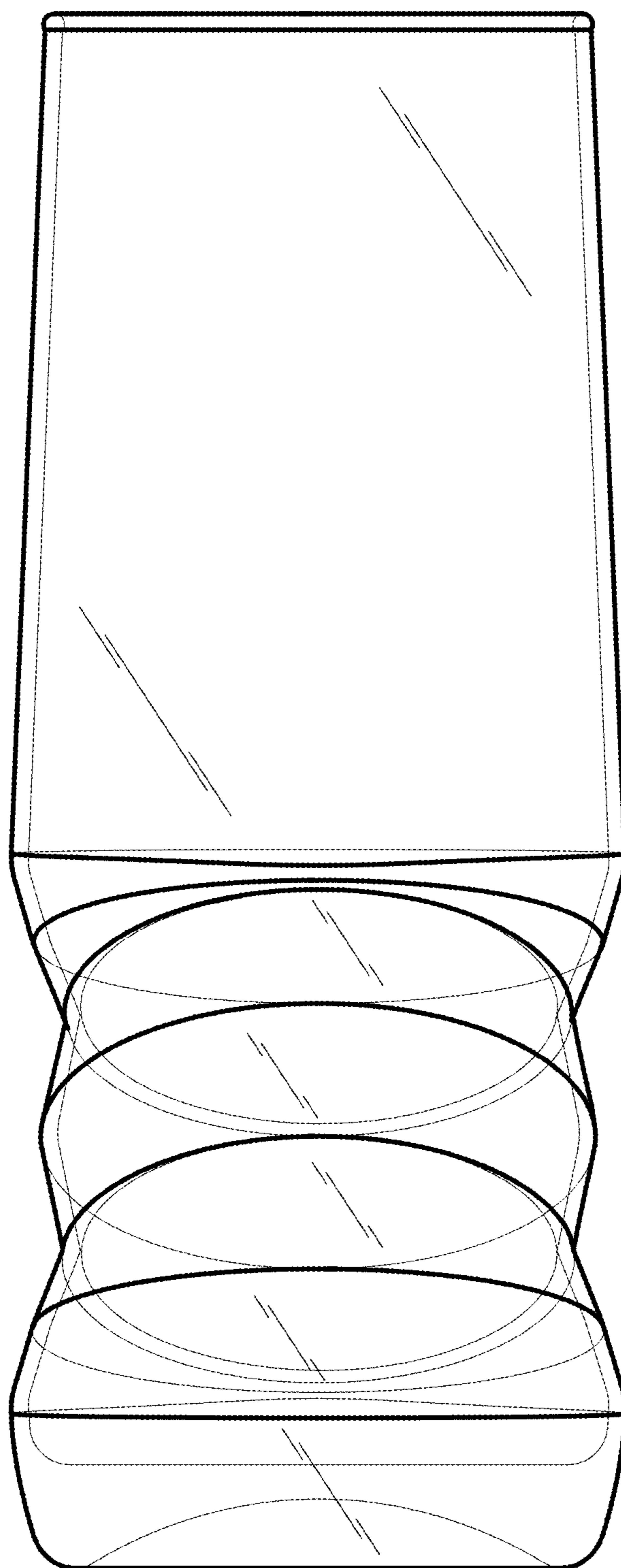


FIG. 3

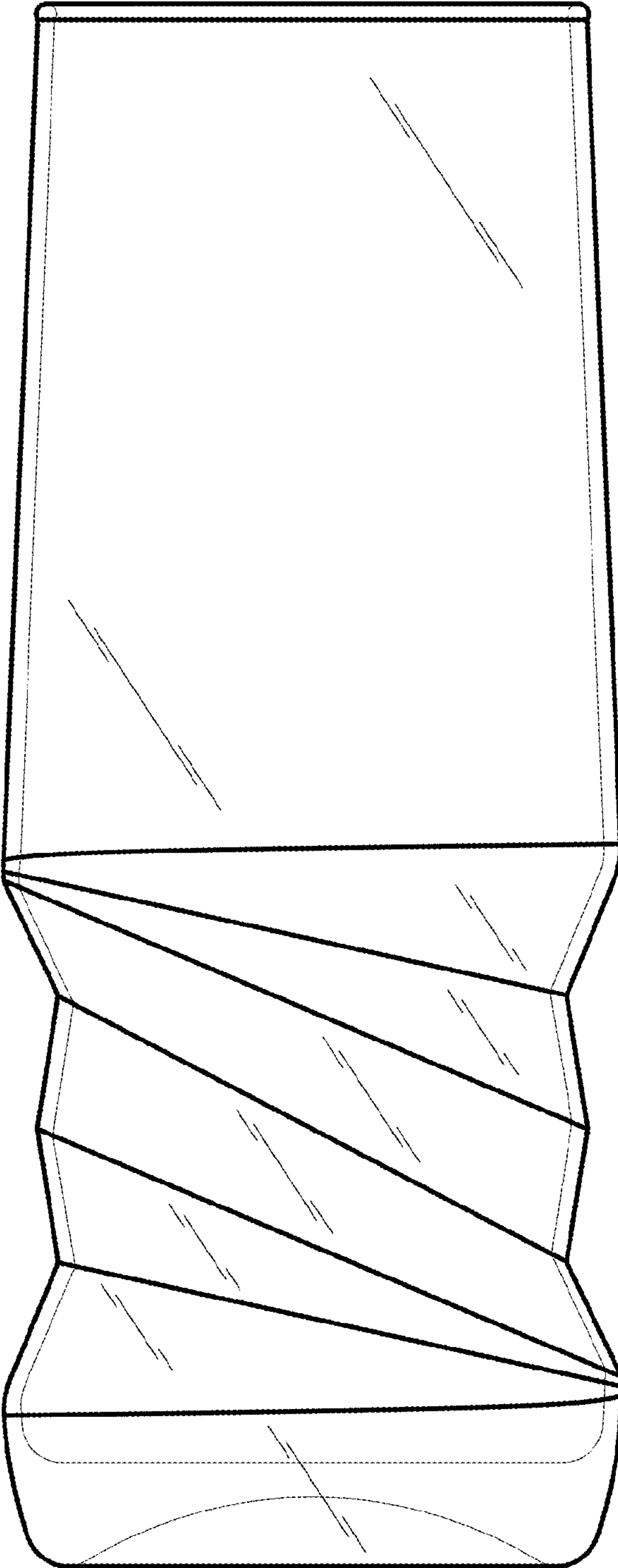


FIG.4

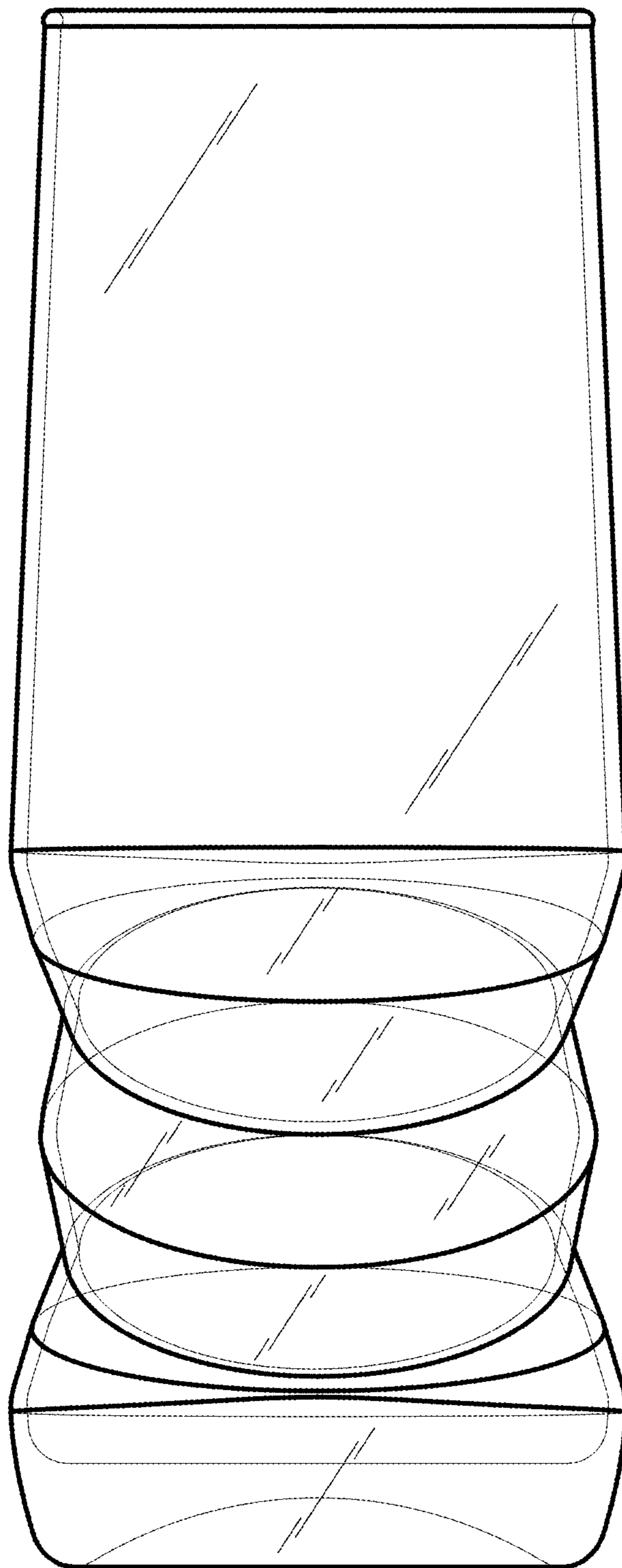


FIG. 5

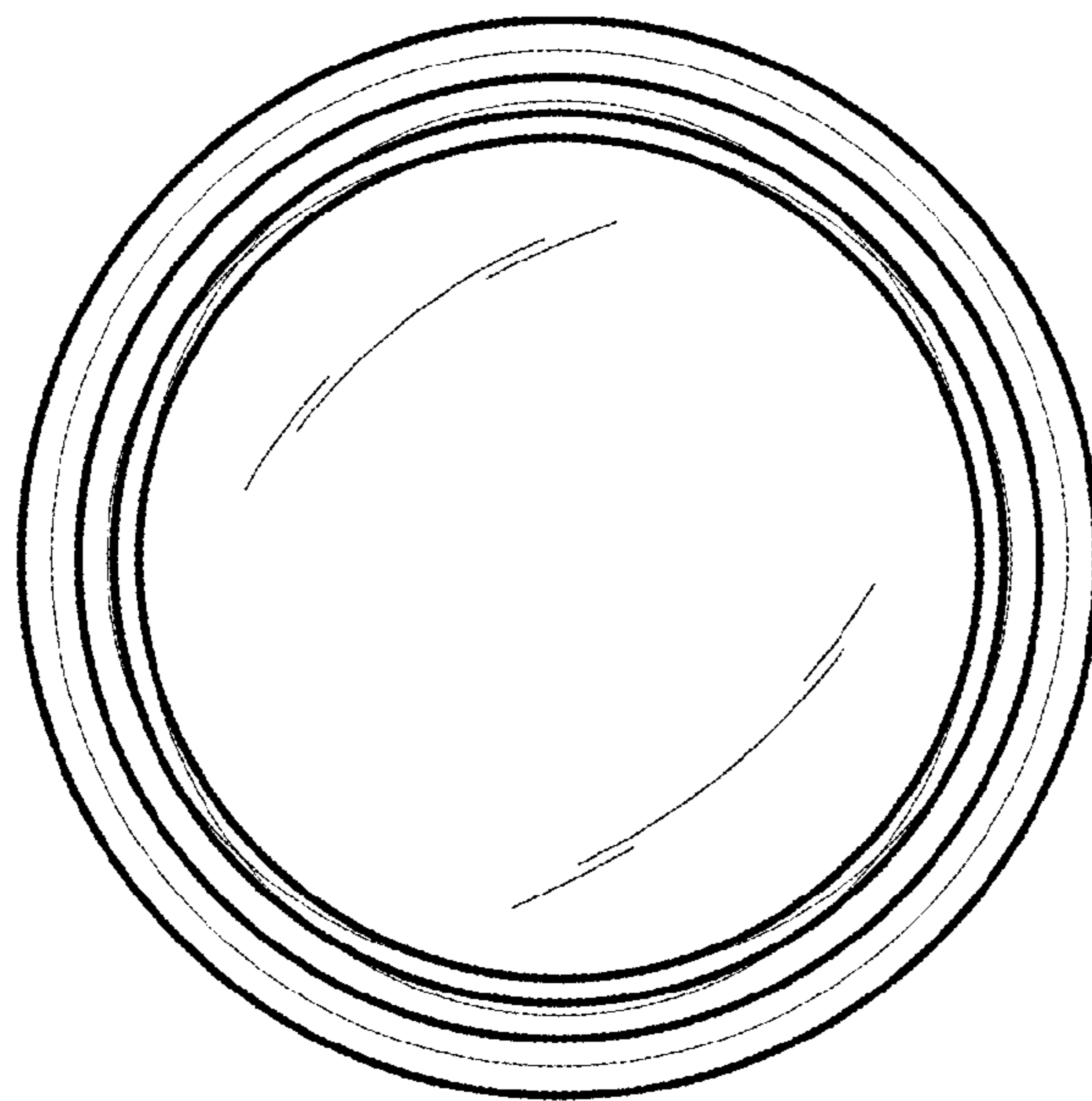


FIG. 6

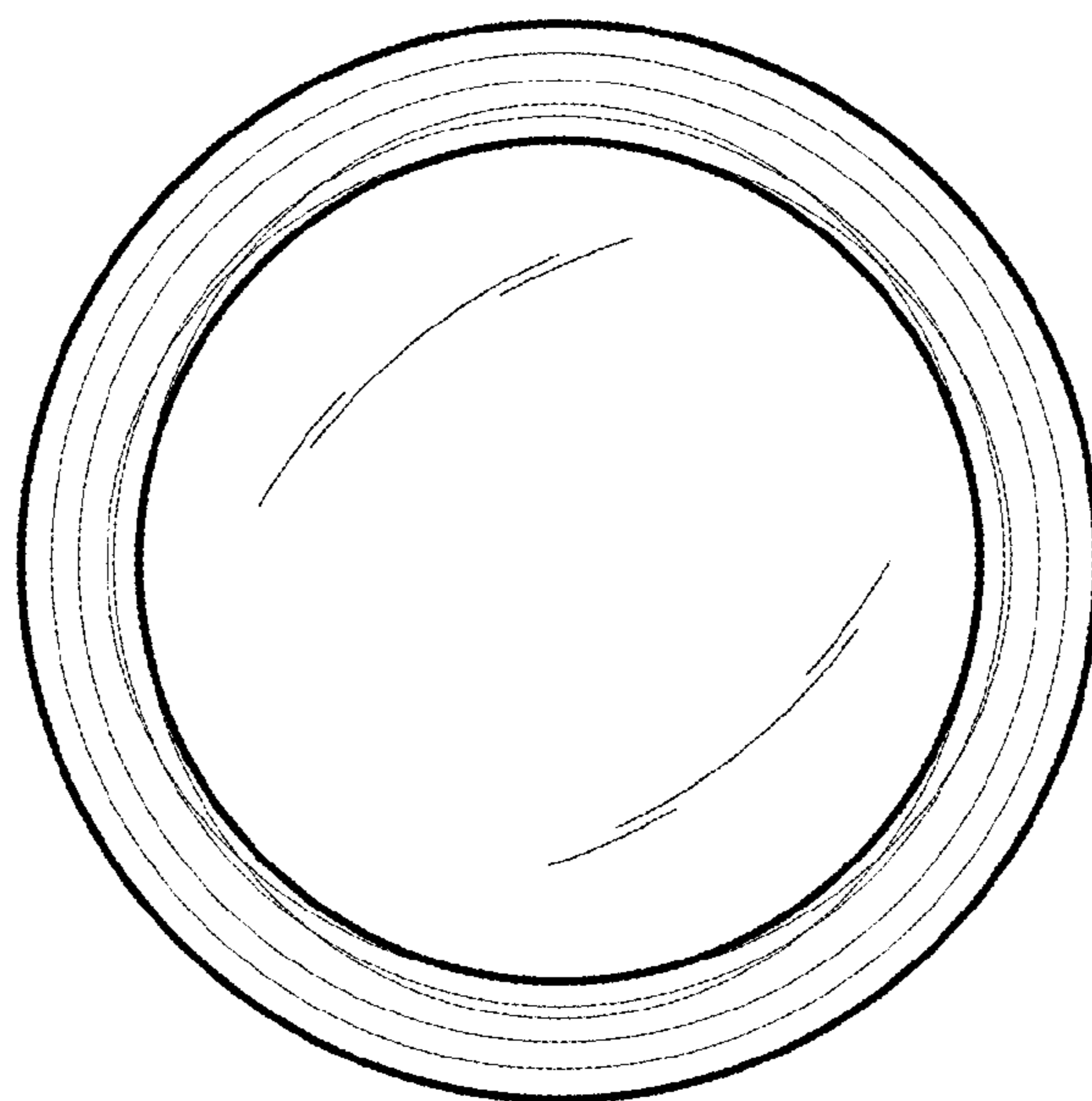


FIG. 7