



US00D726497S

(12) **United States Design Patent**
Wang

(10) **Patent No.:** **US D726,497 S**
(45) **Date of Patent:** **** Apr. 14, 2015**

- (54) **CHILD SAFETY FAUCET**
- (71) Applicant: **MTN Products, Inc.**, La Verne, CA (US)
- (72) Inventor: **Chun-Yen Wang**, El Paso, TX (US)
- (73) Assignee: **MTN Products, Inc.**, La Verne, CA (US)
- (**) Term: **14 Years**
- (21) Appl. No.: **29/478,721**
- (22) Filed: **Jan. 8, 2014**
- (51) **LOC (10) Cl.** **31-00**
- (52) **U.S. Cl.**
USPC **D7/398**; D7/397
- (58) **Field of Classification Search**
CPC ... B67D 1/0042; B67D 1/0081; B67D 1/0832
USPC D7/398, 399, 400, 401, 386, 387, 393;
D23/233, 234, 236, 238, 242, 243, 244,
D23/245, 246, 249, 250, 255, 257, 262, 266,
D23/421, 252, 499; 222/506, 508, 509,
222/129.1, 144.5; D8/354; 99/275, 280;
141/362
See application file for complete search history.

- (56) **References Cited**
U.S. PATENT DOCUMENTS
3,104,089 A 9/1963 Seltsam
5,402,919 A * 4/1995 Atkinson 222/505
5,449,144 A 9/1995 Kowalics
5,470,044 A * 11/1995 Chi 251/98
D378,400 S * 3/1997 Kowalics D23/238
6,082,598 A * 7/2000 Lee 222/509
6,086,045 A 7/2000 Moon
D483,223 S * 12/2003 Guadalupi D7/398
D507,460 S * 7/2005 Omdoll et al. D7/590
D524,421 S * 7/2006 Schaffeld et al. D23/252
D587,964 S * 3/2009 Thomas D7/398

- D637,867 S 5/2011 Wang
- D647,599 S * 10/2011 Liao D23/238
- D652,118 S * 1/2012 Corpuz, Jr. D23/252
- D660,080 S * 5/2012 Littlejohn D7/398
- 8,418,991 B2 4/2013 Meyer
- 8,418,992 B2 4/2013 Meyer
- 8,469,242 B2 * 6/2013 Kolon et al. 222/538
- 2009/0127295 A1 * 5/2009 Cocchi et al. 222/509

OTHER PUBLICATIONS

stores.ebay.com/Best-Bayou-Bargains/Tomlinson-Faucets-/_i.html?_fsb=4413841013.

(Continued)

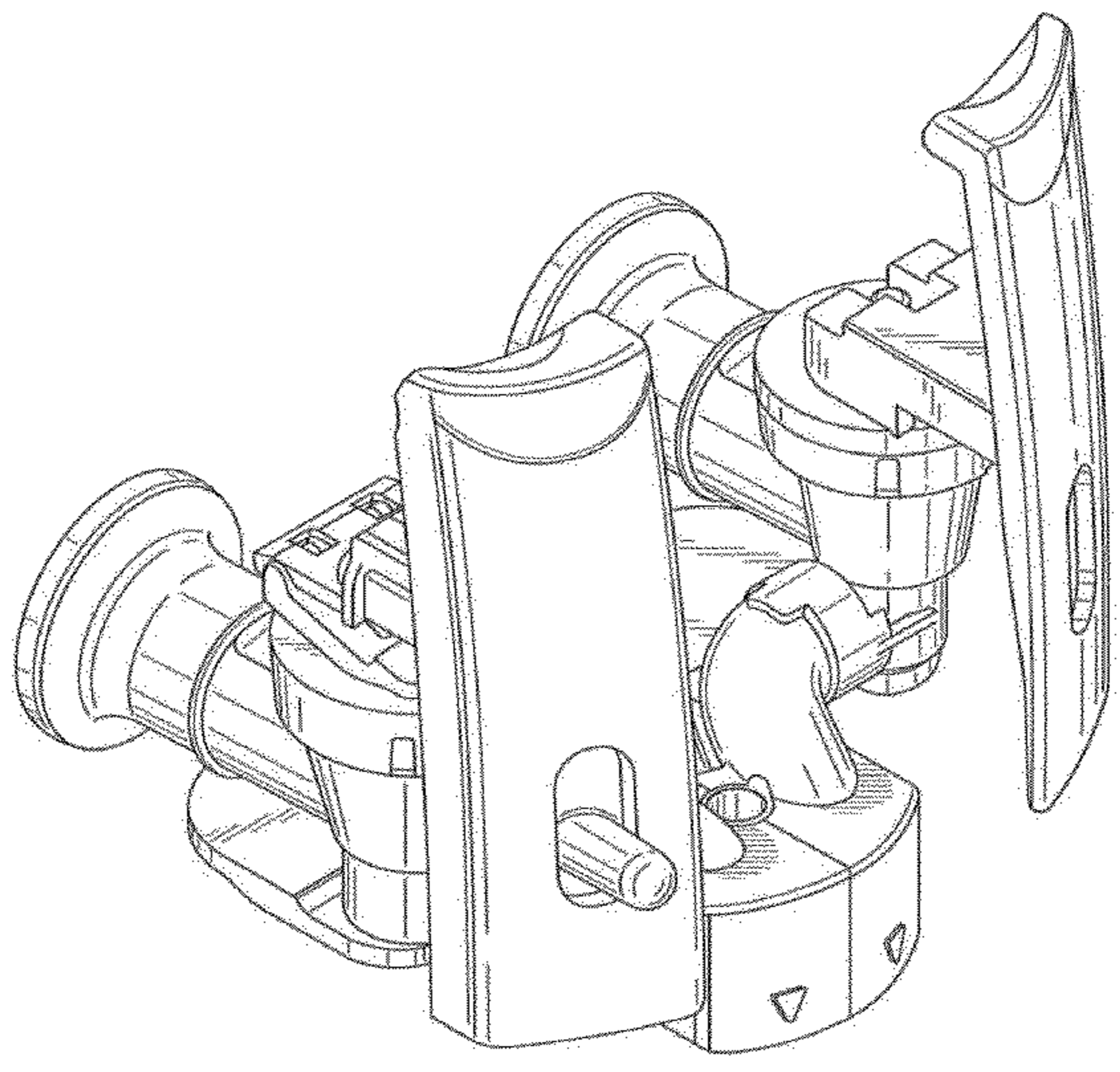
Primary Examiner — Marianne Pandozzi
Assistant Examiner — Jae Liang
(74) *Attorney, Agent, or Firm* — Michael P. Mazza, LLC

(57) **CLAIM**
The ornamental design for a child safety faucet, as shown and described.

DESCRIPTION

FIG. 1 is a front and side perspective view of one preferred embodiment of the child safety faucet of the present invention;
FIG. 2 is a top view of the child safety faucet shown in FIG. 1;
FIG. 3 is a front view of the child safety faucet shown in FIG. 1;
FIG. 4 is a left-side view of the child safety faucet shown in FIG. 1;
FIG. 5 is a right-side view of the child safety faucet shown in FIG. 1;
FIG. 6 is a rear view of the child safety faucet shown in FIG. 1; and,
FIG. 7 is a bottom view of the child safety faucet shown in FIG. 1.

1 Claim, 4 Drawing Sheets



(56)

References Cited

OTHER PUBLICATIONS

www.ebay.com/itm/Sunbeam-HOT-WATER-COOLER-FAUCET-with-CHILD-SAFETY-TOMLINSON-HANDLE-/200928418430.
www.freshwatersystems.com/c-431-water-cooler-faucets.aspx.

www.ebay.com/itm/Water-Cooler-Spigot-Valve-Handle-Cold-Child-Safety-/260509093782.

www.watercoolerusa.com/Oasis-Water-Cooler-Child-Safety-Faucets_c_98.html.

* cited by examiner

Fig. 1

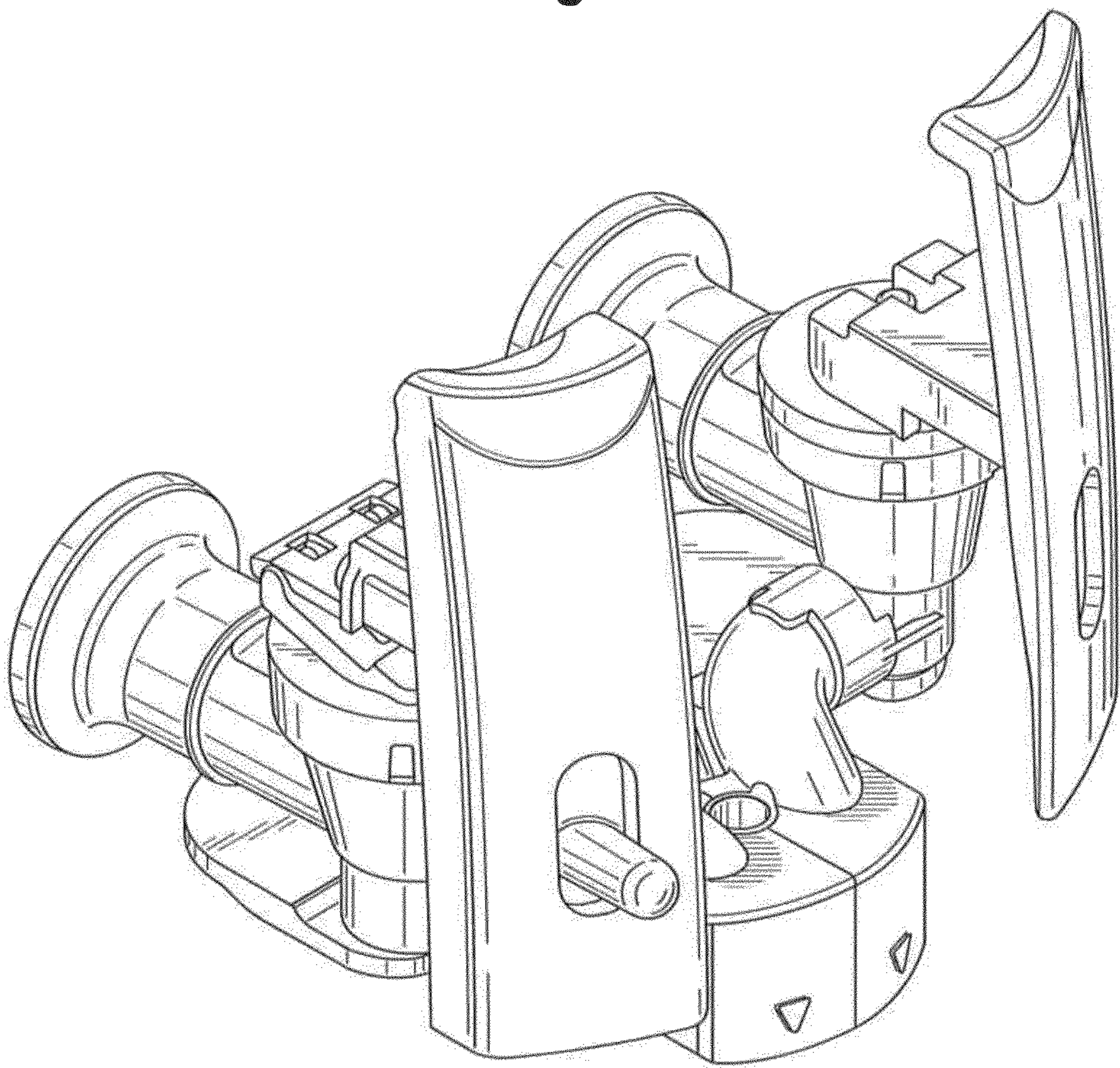


Fig. 2

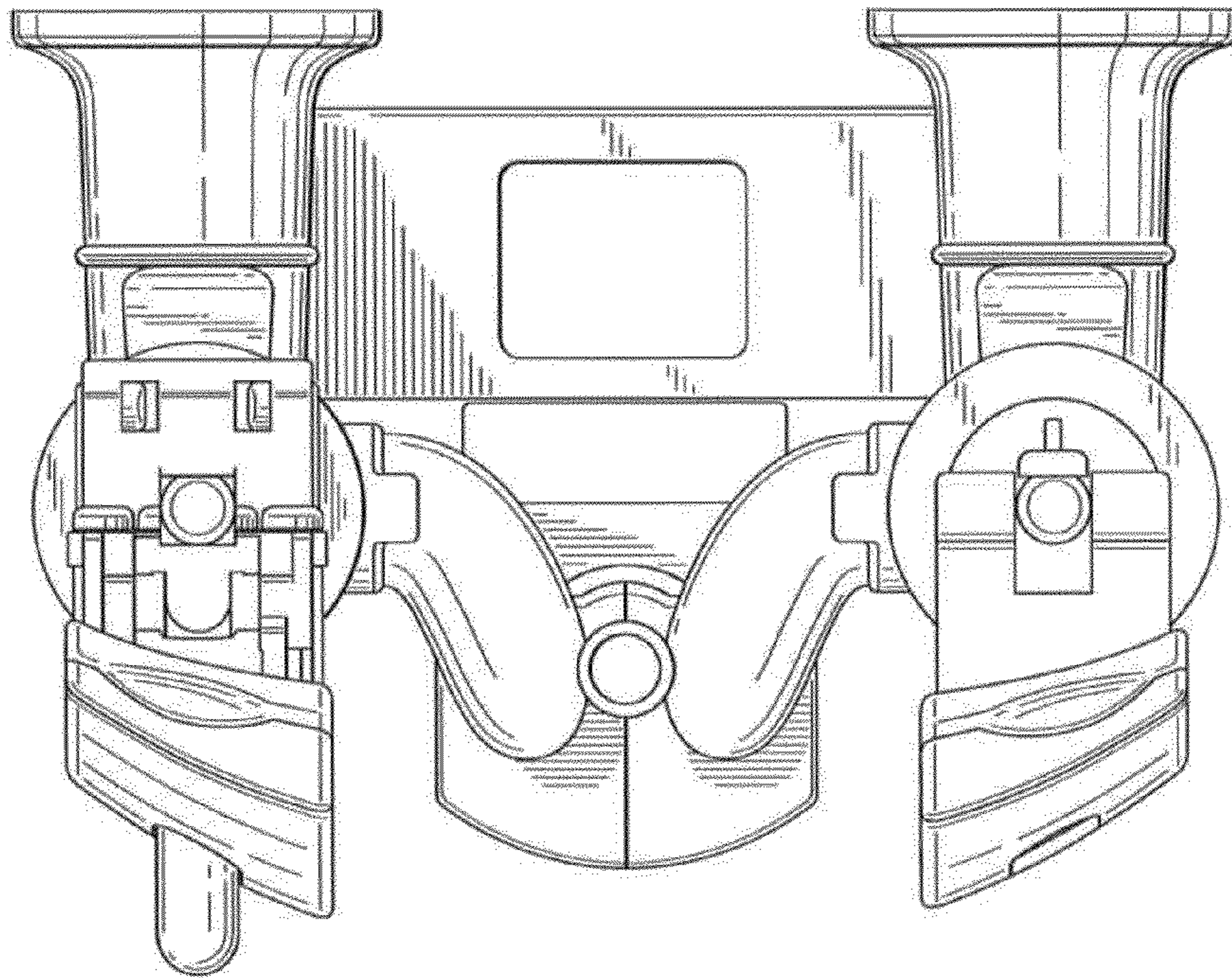


Fig. 3

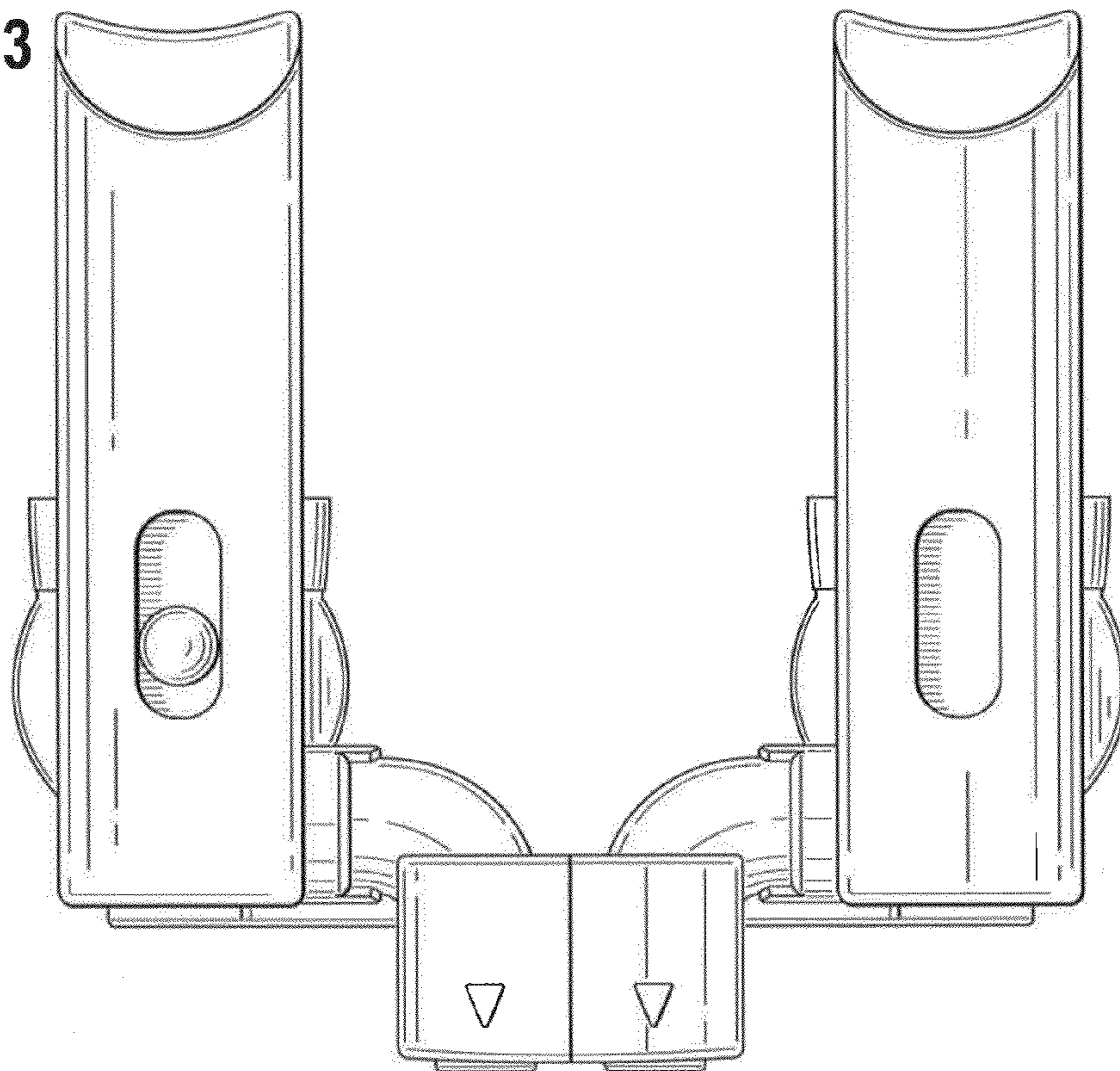


Fig. 4

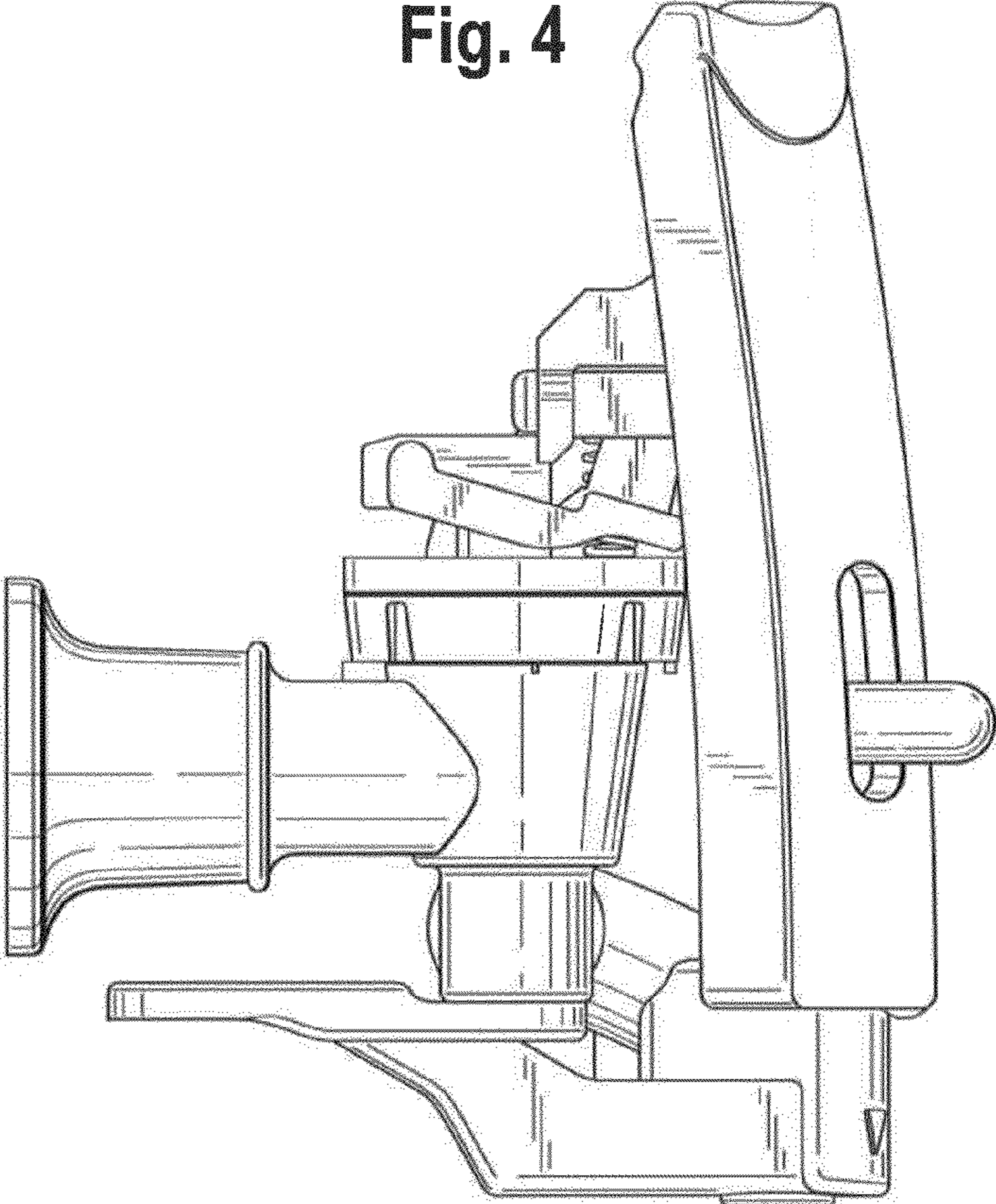


Fig. 5

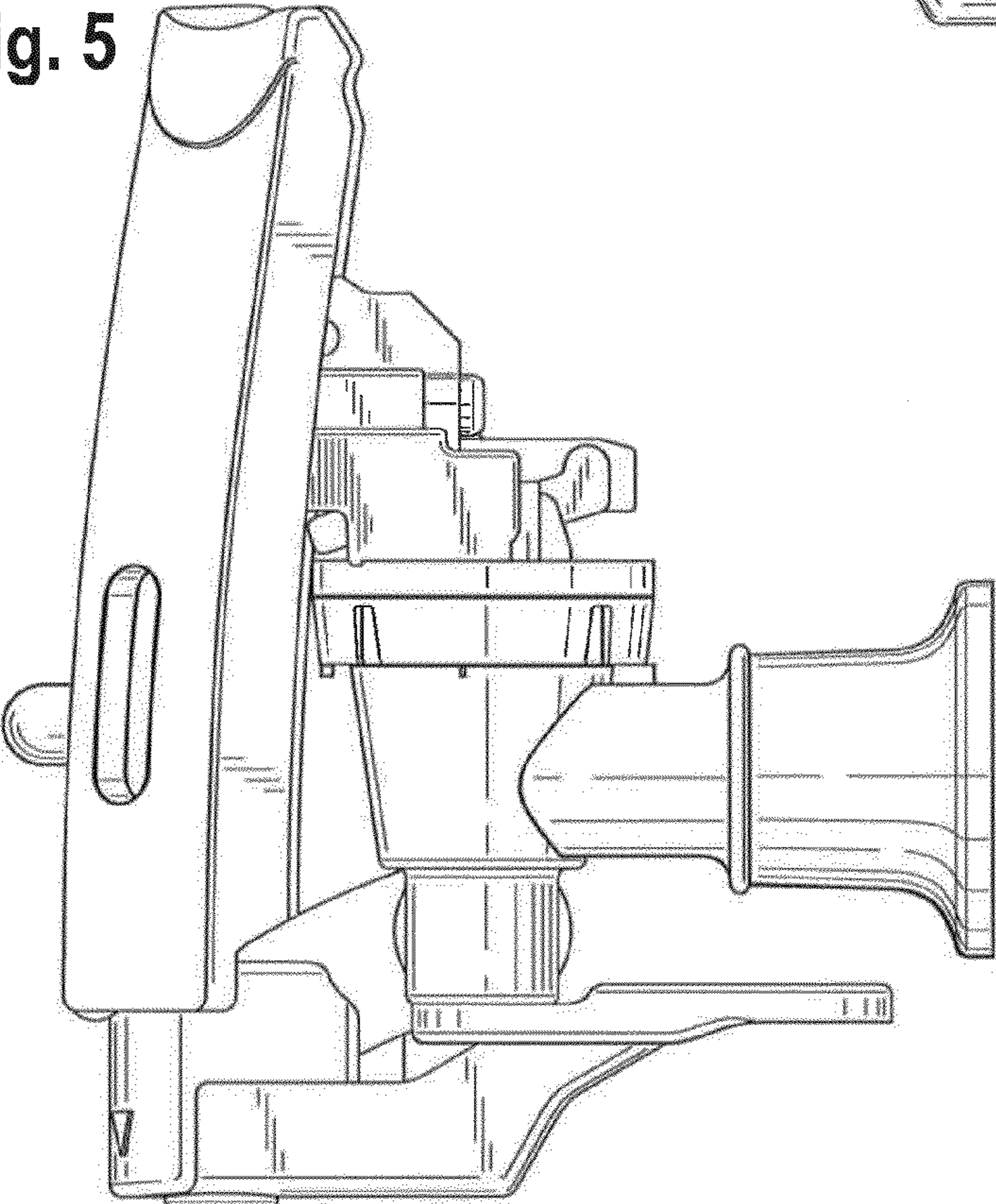


Fig. 6

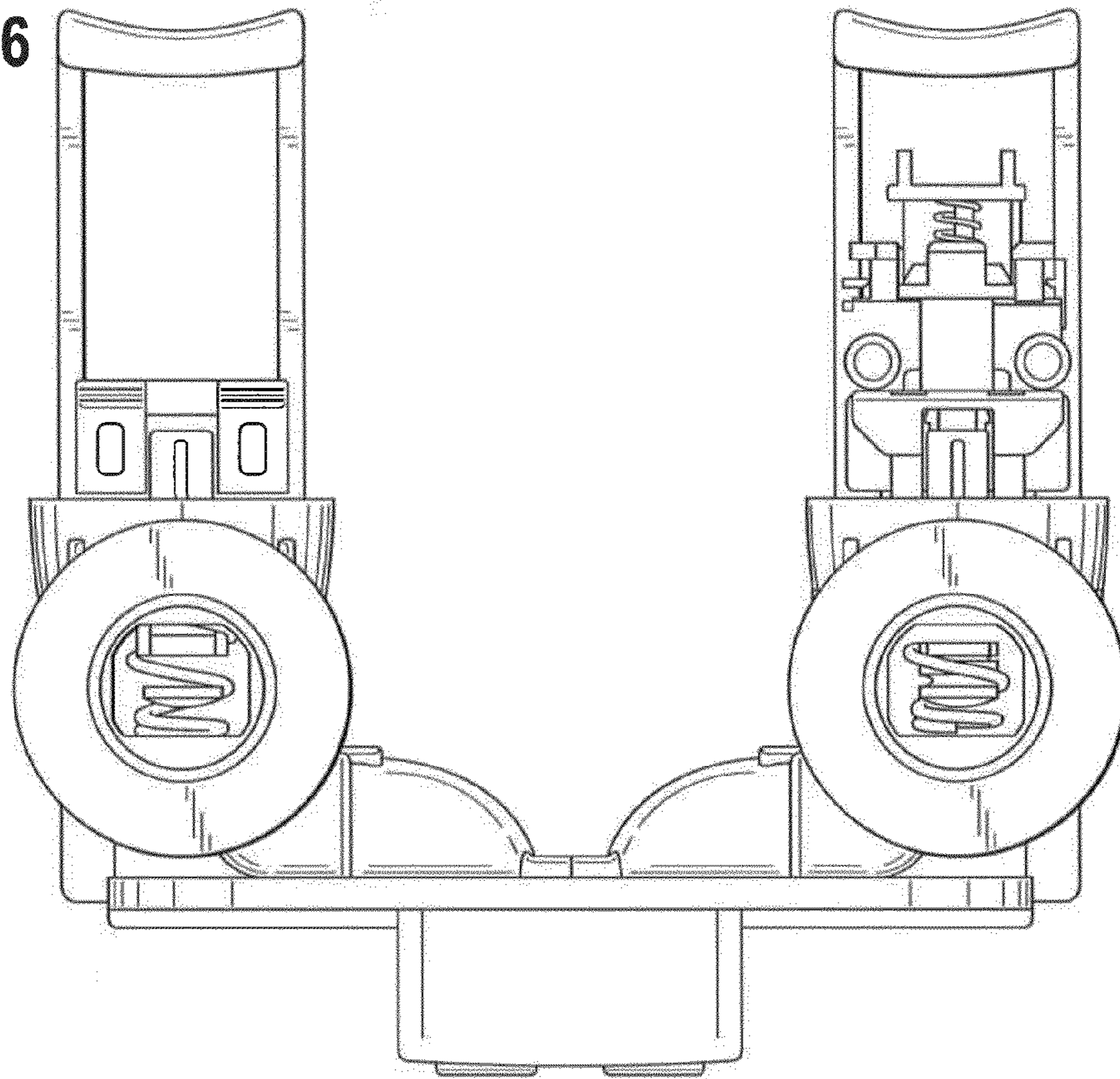


Fig. 7

