



US00D726491S

(12) **United States Design Patent**  
**Witzel et al.**

(10) **Patent No.:** **US D726,491 S**  
(45) **Date of Patent:** **\*\* Apr. 14, 2015**

(54) **FOLDABLE GRILL WITH OFFSET LEGS**

(71) Applicant: **Onward Multi-Corp Inc.**, Waterloo (CA)

(72) Inventors: **Theodore Andrew Witzel**, Kitchener (CA); **James Edward Scott**, Cambridge (CA); **Benjamin Michael Harrison**, Waterloo (CA)

(73) Assignee: **Onward Multi-Corp Inc.**, Waterloo, Ontario (CA)

(\*\*) Term: **14 Years**

(21) Appl. No.: **29/449,604**

(22) Filed: **Mar. 15, 2013**

(51) **LOC (10) Cl.** ..... **07-02**

(52) **U.S. Cl.**  
USPC ..... **D7/334**

(58) **Field of Classification Search**  
USPC ..... D7/332, 334-337, 402-406; 126/25 R, 126/25 A, 25 AA, 9 R, 38, 41 R, 40, 50, 276; 99/449

See application file for complete search history.

(56) **References Cited**

**U.S. PATENT DOCUMENTS**

4,210,118	A *	7/1980	Davis et al. ....	126/25 R
6,257,229	B1	7/2001	Stewart et al.	
6,422,230	B1 *	7/2002	Stewart et al. ....	126/25 R
D480,907	S *	10/2003	Pai .....	D7/334
D516,860	S *	3/2006	Nipke .....	D7/403
D636,628	S *	4/2011	Chung .....	D7/334
7,958,882	B1 *	6/2011	Sgourides .....	126/9 R
8,316,837	B2 *	11/2012	Malumyan .....	126/25 R

D680,365	S *	4/2013	Chung .....	D7/334
D680,366	S *	4/2013	Chung .....	D7/334
D687,667	S *	8/2013	Chien et al. ....	D7/334
2005/0252504	A1 *	11/2005	Cabrera et al. ....	126/50
2013/0074822	A1 *	3/2013	Chien et al. ....	126/25 R

**OTHER PUBLICATIONS**

All-Terrain Grill—Zippo Outdoor [online]. Published as early as Jul. 31, 2012 Retrieved from the Internet: <URL <http://zippooutdoor.com/all-terrain-grill/>>.

Coleman Canada [online]. Published as early as Aug. 20, 2012. Retrieved from the Internet: <URL <http://colemancanada.ca/Catalog/GRILLS.RoadTrip.en.products>>.

\* cited by examiner

*Primary Examiner* — Ruth McInroy

(74) *Attorney, Agent, or Firm* — Bereskin & Parr LLP/S.E.N.C.R.L., s.r.l.

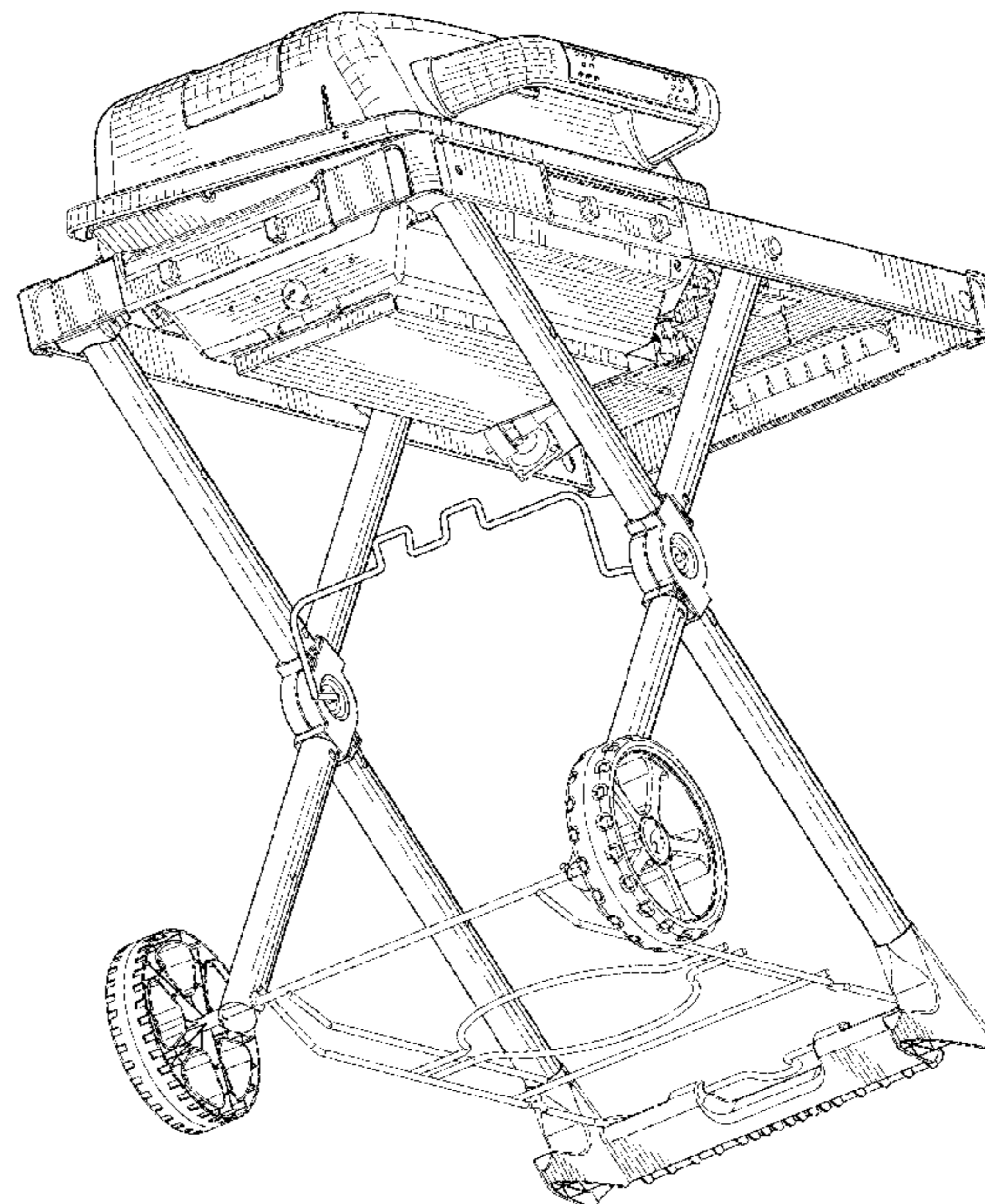
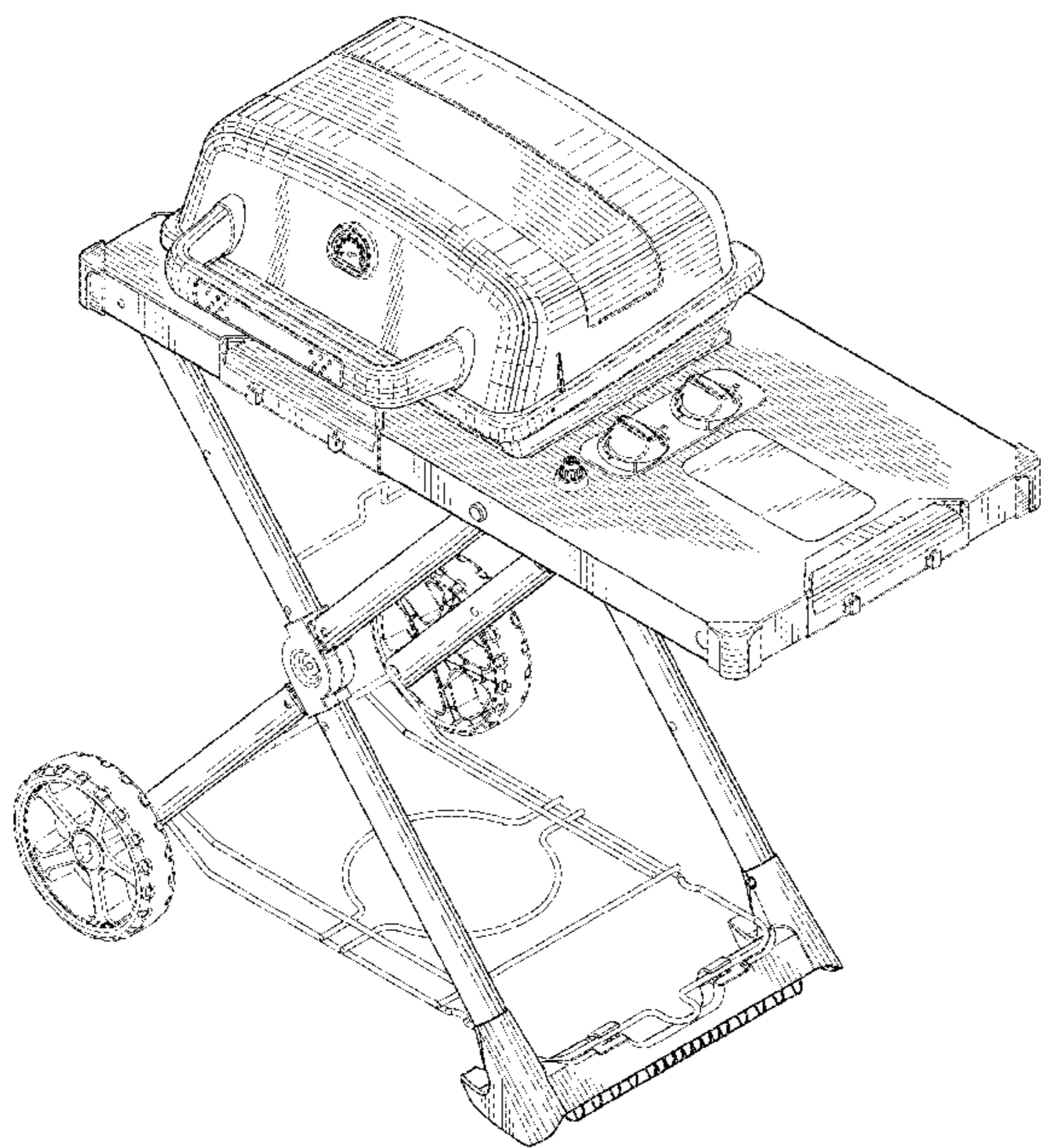
(57) **CLAIM**

The ornamental design for a foldable grill with offset legs, as shown and described.

**DESCRIPTION**

FIG. 1 is a top perspective view of the subject design; FIG. 2 is a bottom perspective view thereof; FIG. 3 is a back elevational view thereof; FIG. 4 is a front elevational view thereof; FIG. 5 is a top plan view thereof; FIG. 6 is a bottom plan view thereof; FIG. 7 is a left side view thereof; FIG. 8 is a right side view thereof; and, FIG. 9 is a top perspective view thereof showing a propane tank shown in dotted lines. The broken lines showing the propane tank in FIG. 9 are included for the purpose of illustrating environment and form no part of the claimed design.

**1 Claim, 8 Drawing Sheets**



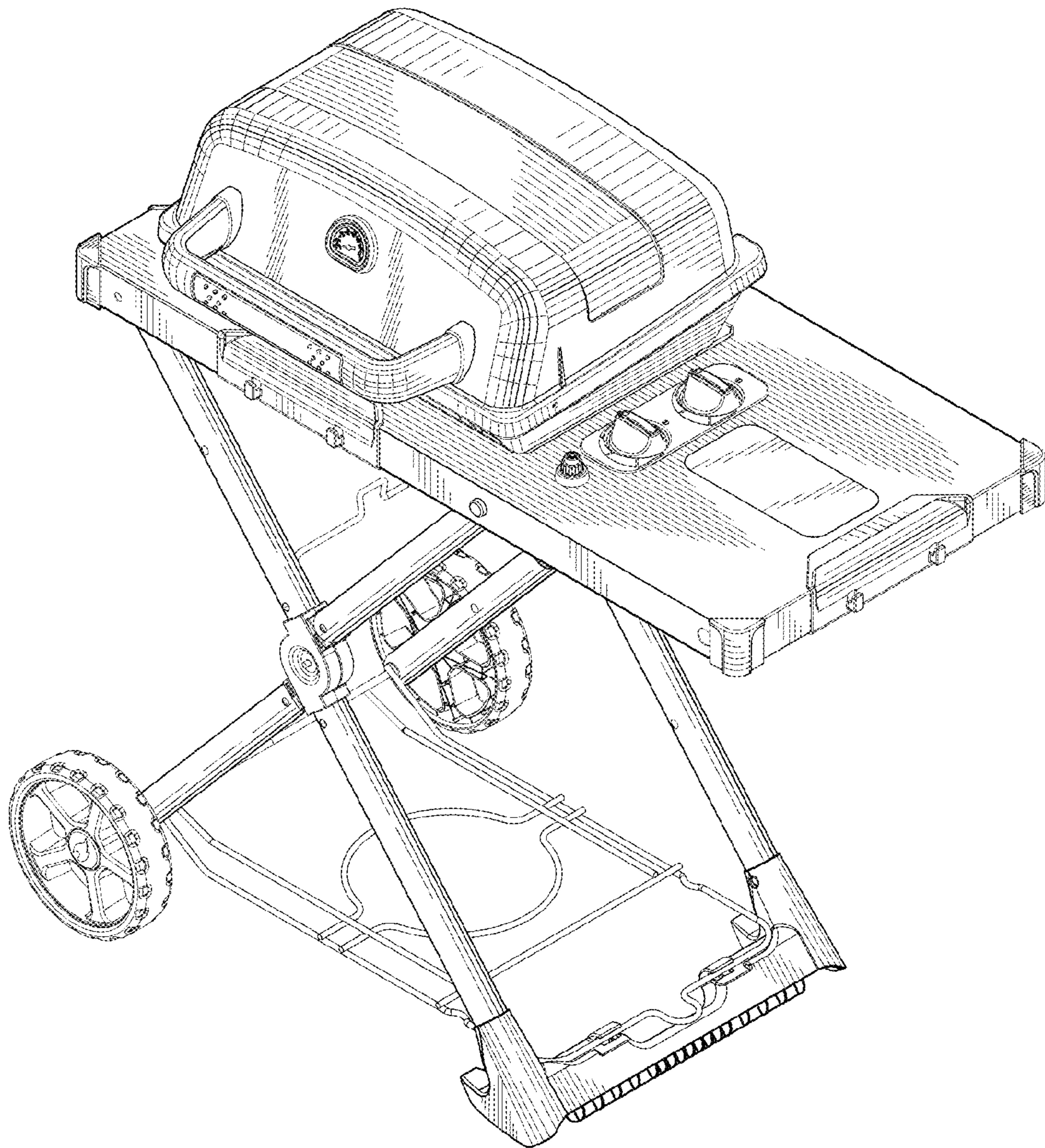


FIG.1

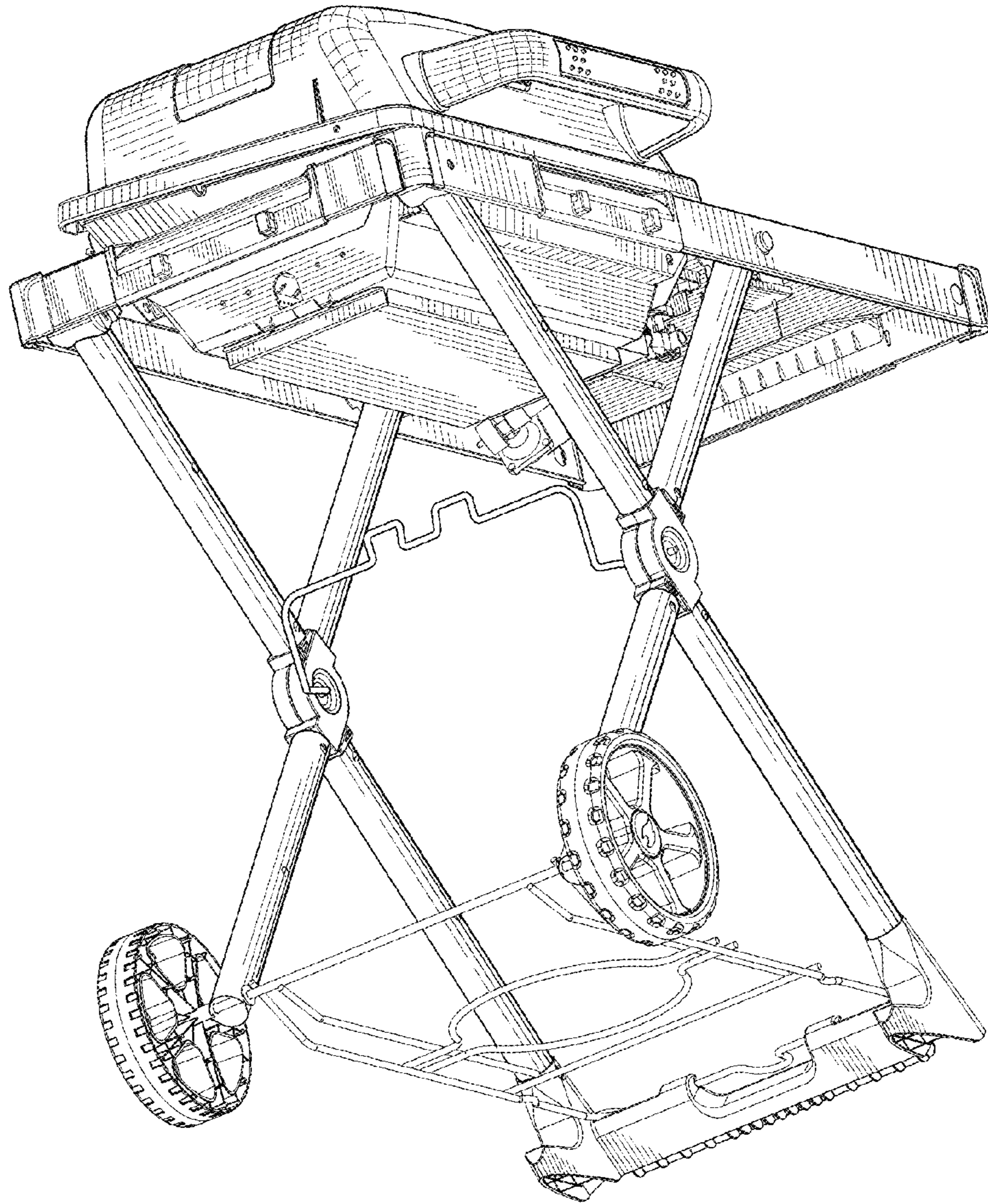


FIG.2

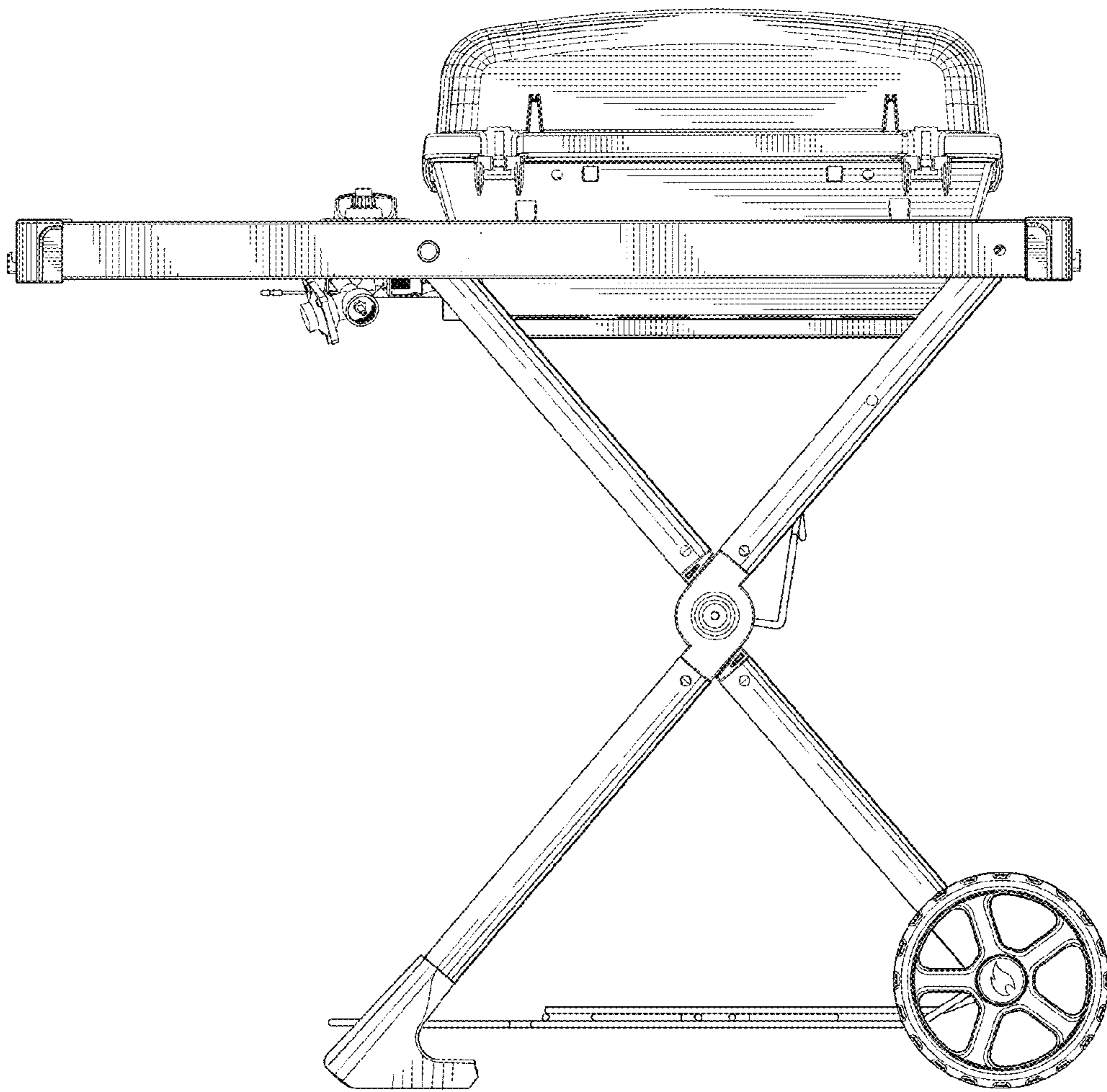


FIG.3

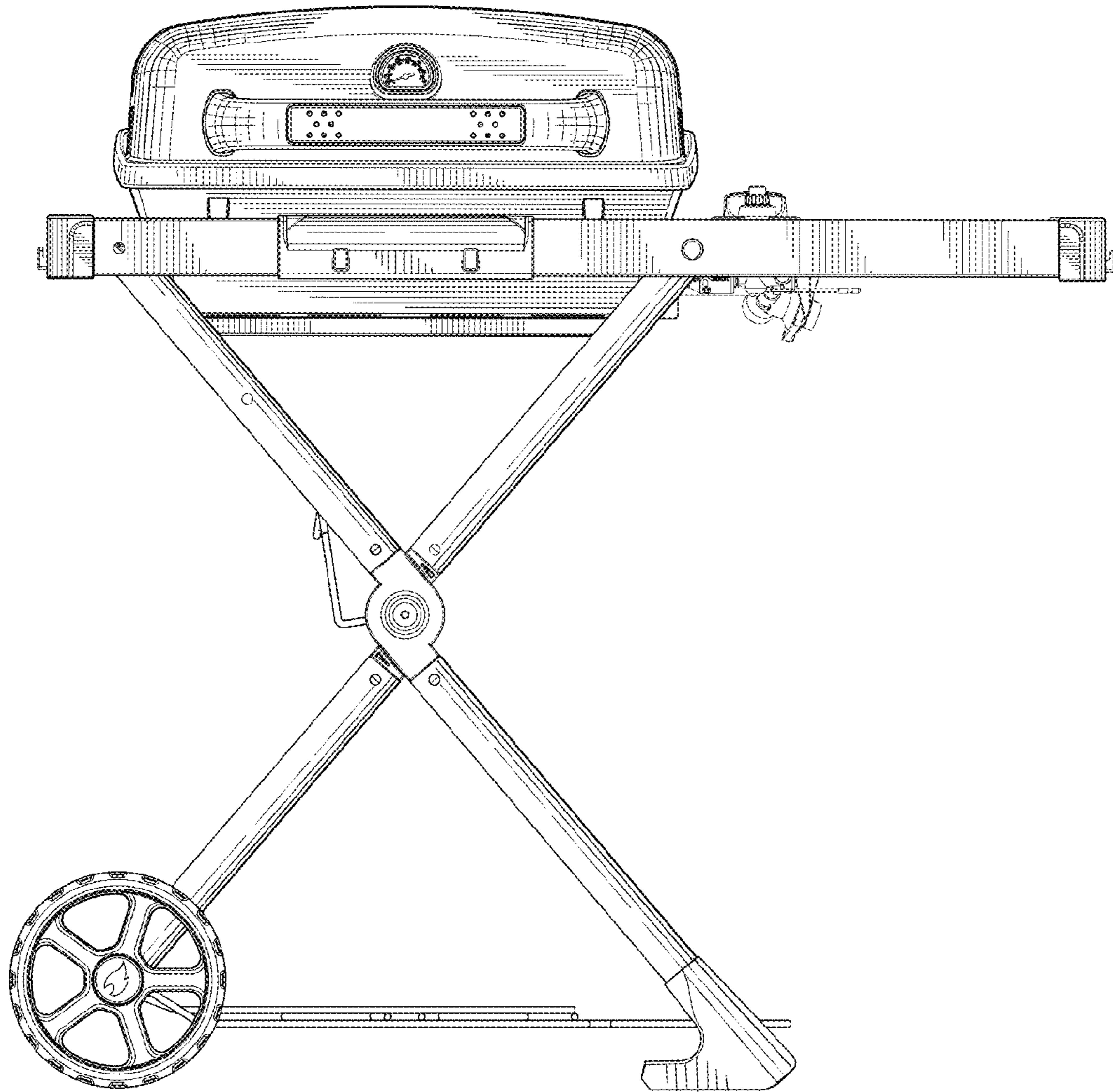


FIG.4

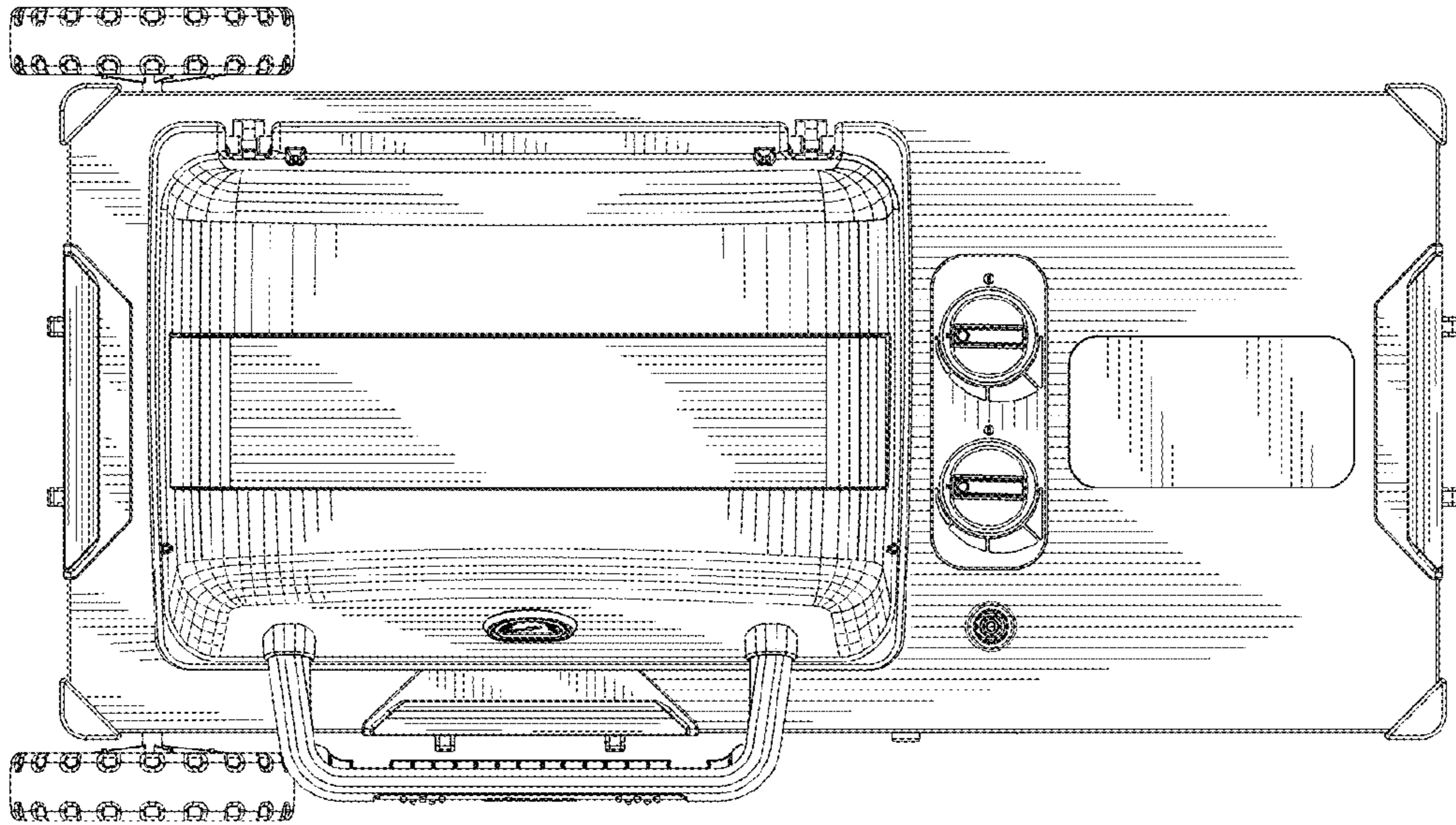


FIG. 5

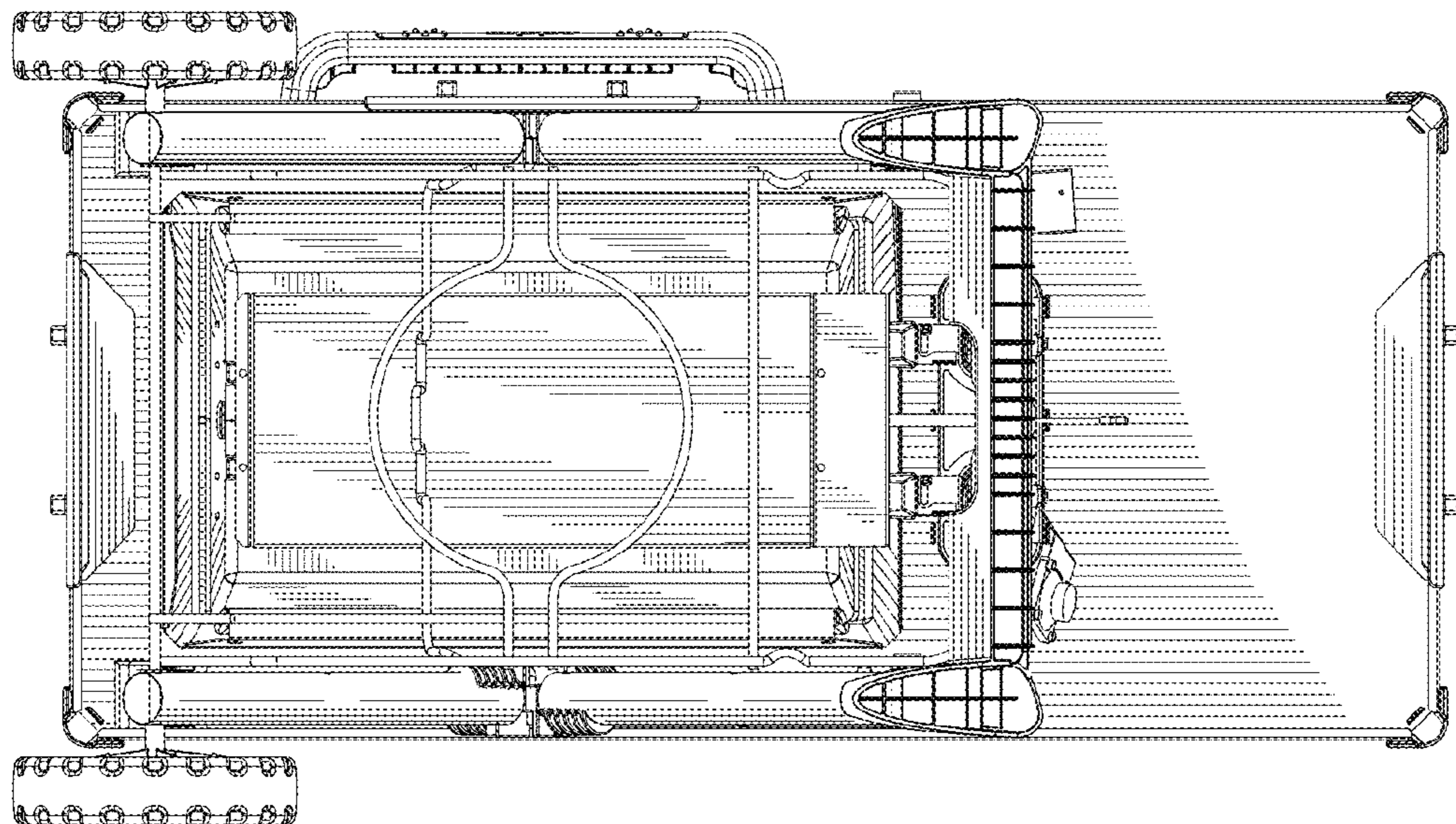


FIG. 6

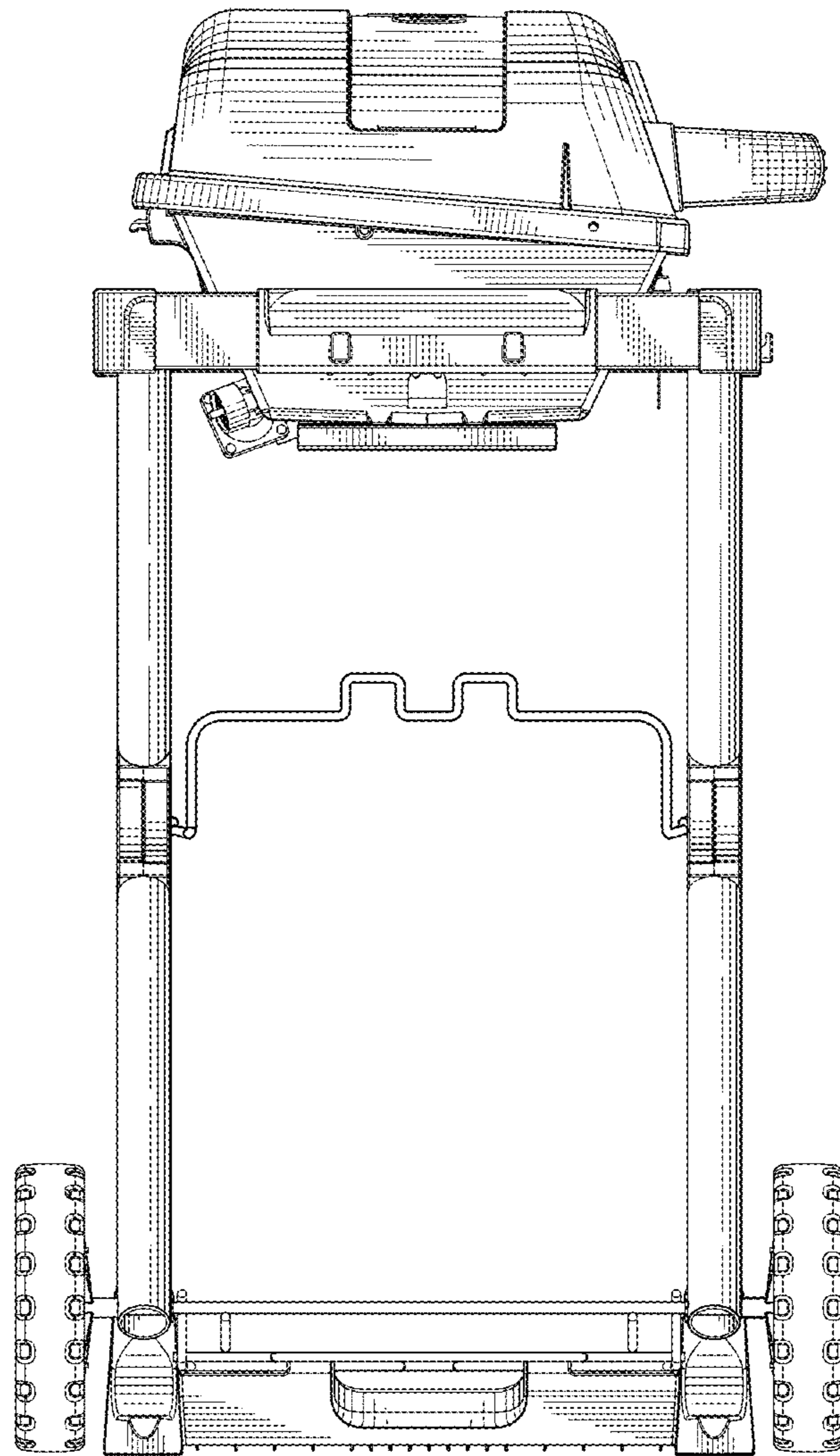


FIG.7

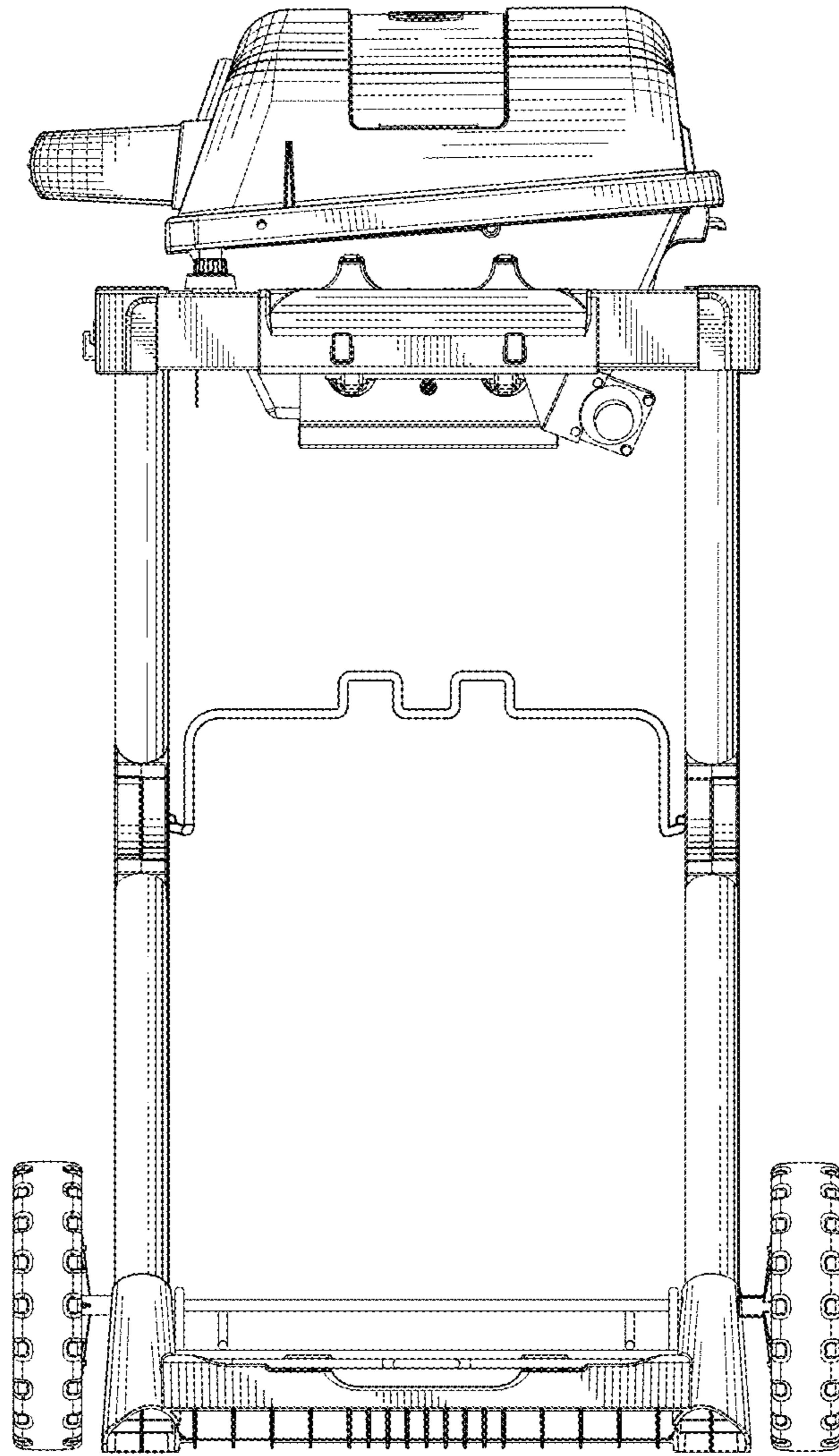


FIG.8



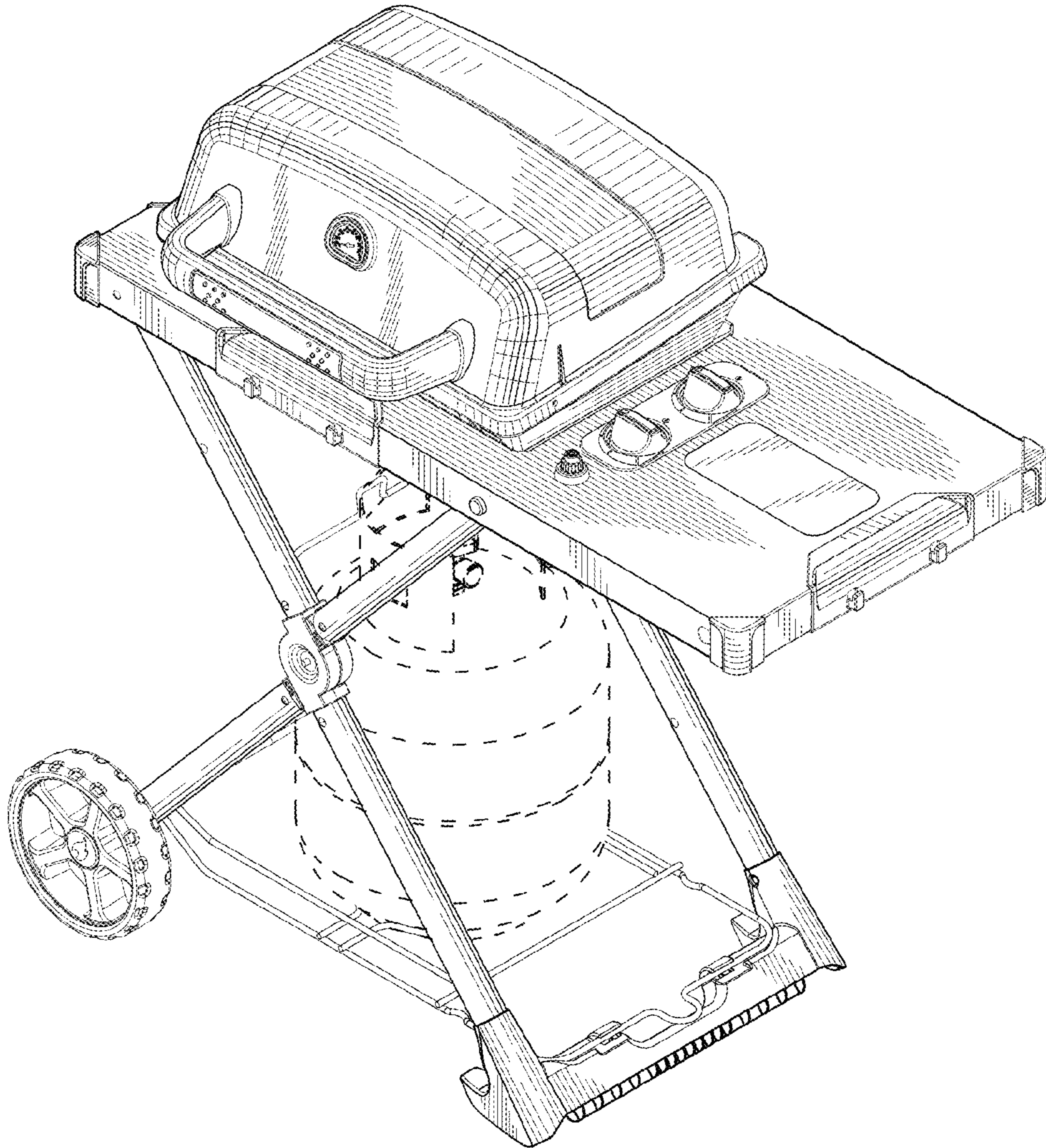


FIG.9