



US00D726490S

(12) **United States Design Patent**  
**Spencer et al.**

(10) **Patent No.:** **US D726,490 S**

(45) **Date of Patent:** **\*\* Apr. 14, 2015**

(54) **BARBEQUE**

(56) **References Cited**

(71) Applicant: **Barbeques Galore (Aust) Pty Limited**,  
Homebush, New South Wales (AU)

U.S. PATENT DOCUMENTS

(72) Inventors: **Stephen John Spencer**, Homebush  
(AU); **Peter Anderson**, Homebush (AU)

D325,315	S	*	4/1992	Parent et al.	.....	D7/334
D444,023	S	*	6/2001	Pai	.....	D7/337
D468,151	S	*	1/2003	Yeh et al.	.....	D7/337
D478,462	S	*	8/2003	Zhu	.....	D7/332
D478,772	S	*	8/2003	Chung	.....	D7/337
D580,210	S	*	11/2008	Chen	.....	D7/337
D609,959	S	*	2/2010	Chen	.....	D7/337
D631,685	S	*	2/2011	Tiller et al.	.....	D7/337
D676,702	S	*	2/2013	Chung	.....	D7/337
D677,111	S	*	3/2013	Chung	.....	D7/337
D688,083	S	*	8/2013	Crick	.....	D7/337
D699,999	S	*	2/2014	Miller	.....	D7/337
2010/0180881	A1	*	7/2010	Chen	.....	126/25 R
2012/0227732	A1	*	9/2012	Chen et al.	.....	126/9 R

(73) Assignee: **Barbeques Galore (Aust) Pty Limited**,  
Homebush, New South Wales (AU)

(\*\*) Term: **14 Years**

\* cited by examiner

(21) Appl. No.: **29/476,001**

*Primary Examiner* — Ruth McInroy

(22) Filed: **Dec. 10, 2013**

(74) *Attorney, Agent, or Firm* — Whitham Curtis  
Christofferson & Cook, PC

(51) **LOC (10) Cl.** ..... **07-02**

(52) **U.S. Cl.**  
USPC ..... **D7/332**

(57) **CLAIM**

We claim the ornamental design for barbeque, as shown and described.

(58) **Field of Classification Search**

CPC ... A47J 37/07; A47J 37/0704; A47J 37/0709;  
A47J 37/0713; A47J 37/0718; A47J 37/0727;  
A47J 37/0731; A47J 37/0763; A47J 37/0772;  
A47J 36/26; F24B 1/182; F24B 1/202; F24B  
3/00; F24B 13/00; F24B 1/205; F24B 1/207;  
F24B 1/22; F24C 3/085; F24C 3/14; F24C  
5/00; F24C 5/20; F24C 15/08; F24C 15/10;  
F24C 15/18

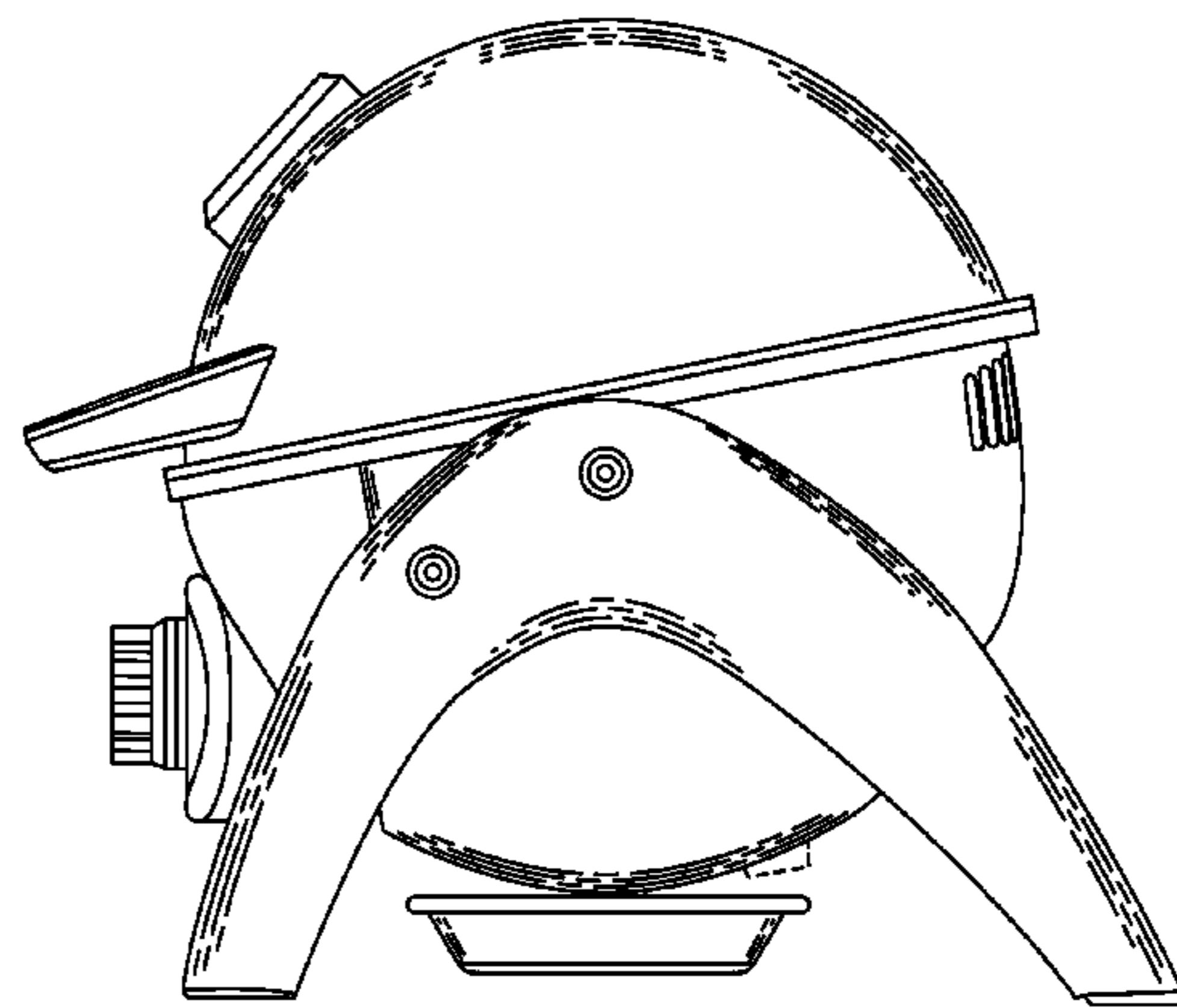
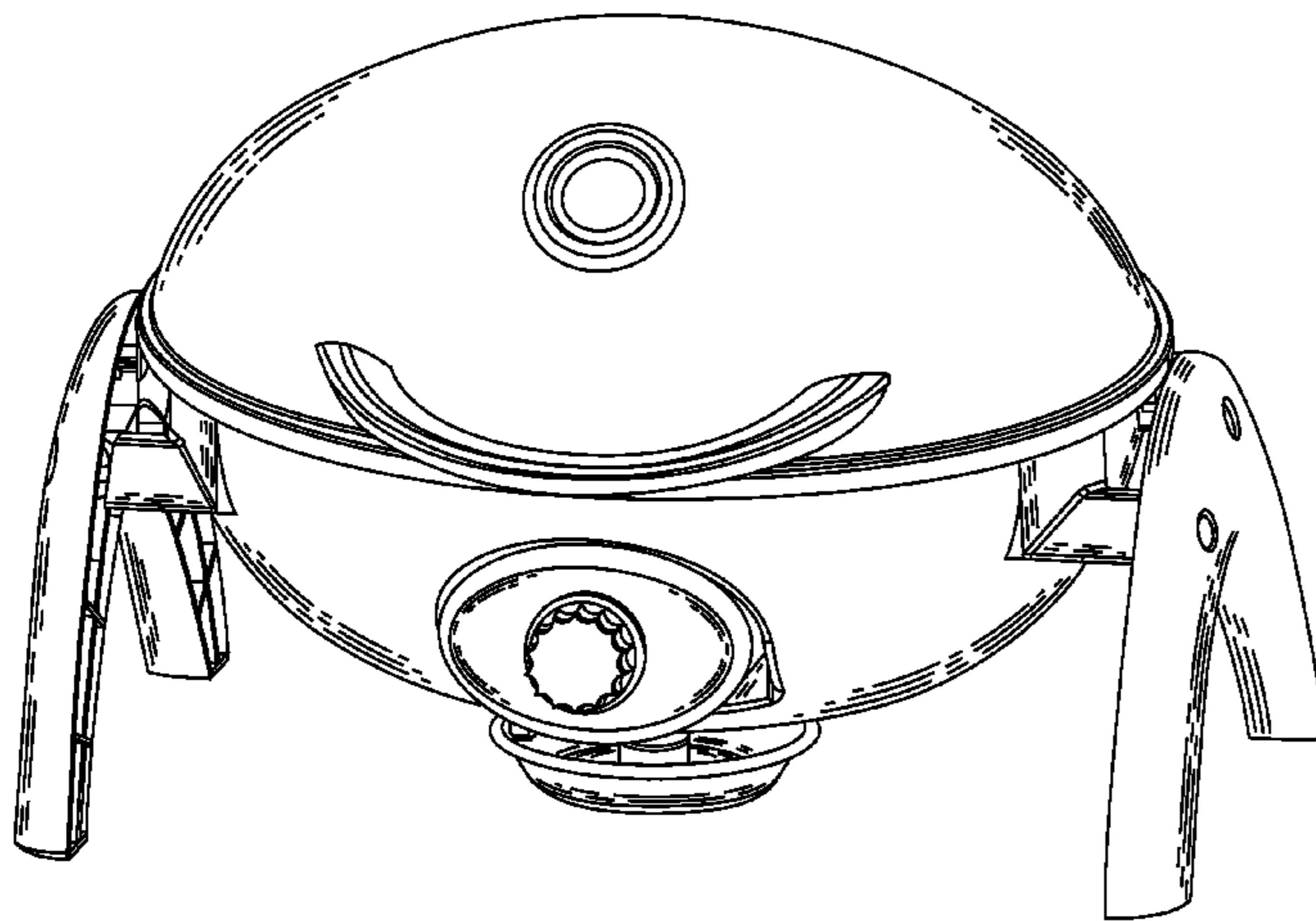
**DESCRIPTION**

FIG. 1 is an enlarged isometric view of a barbeque showing our new design;  
FIG. 2 is a top plan view thereof;  
FIG. 3 is a front elevation view thereof;  
FIG. 4 is a right side elevation view thereof;  
FIG. 5 is a rear elevation view thereof; and,  
FIG. 6 is a left side elevation view thereof.  
The details shown in broken lines form no part of the claimed design.

USPC ..... D7/332, 334–337, 402–405

See application file for complete search history.

**1 Claim, 6 Drawing Sheets**



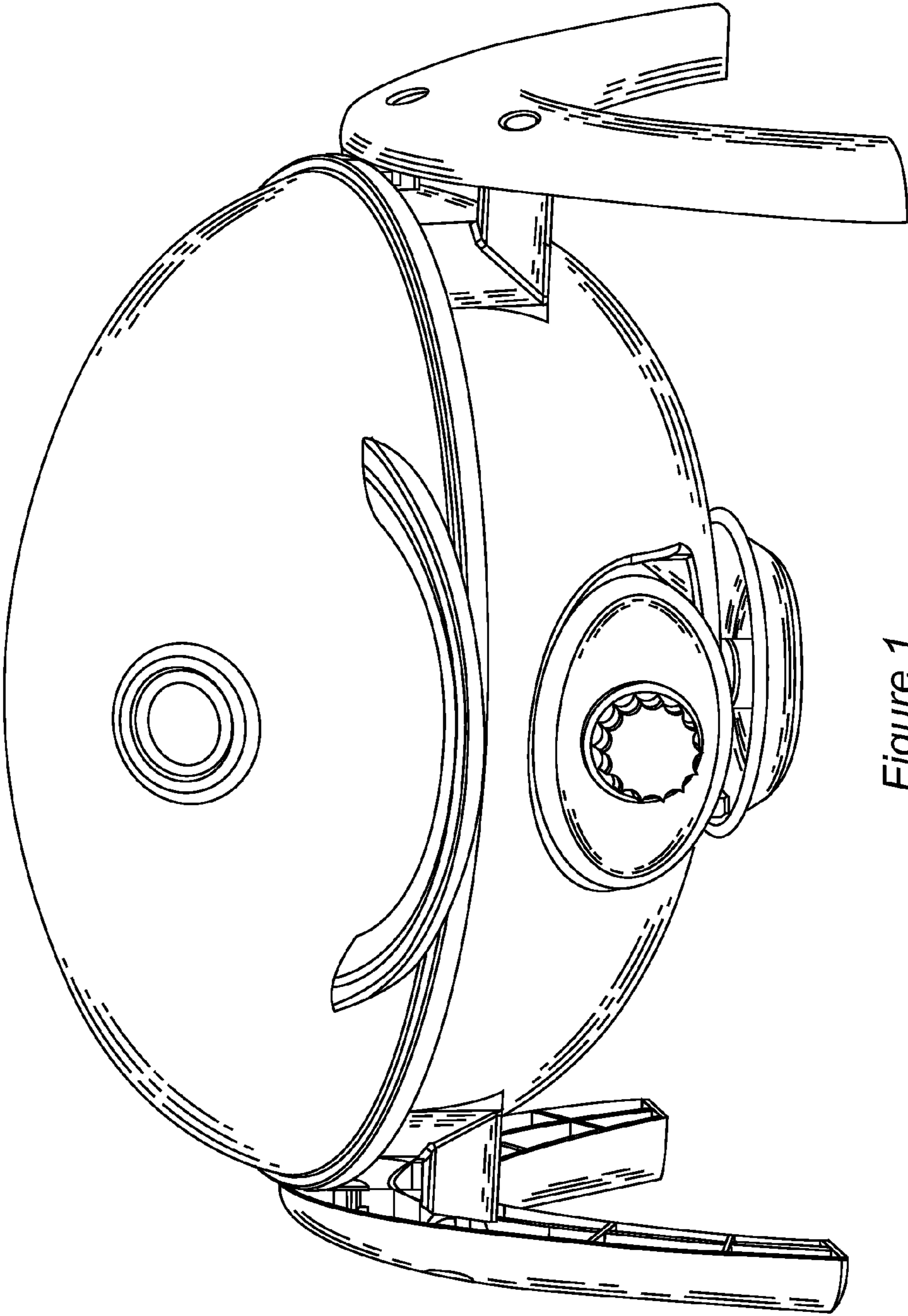


Figure 1

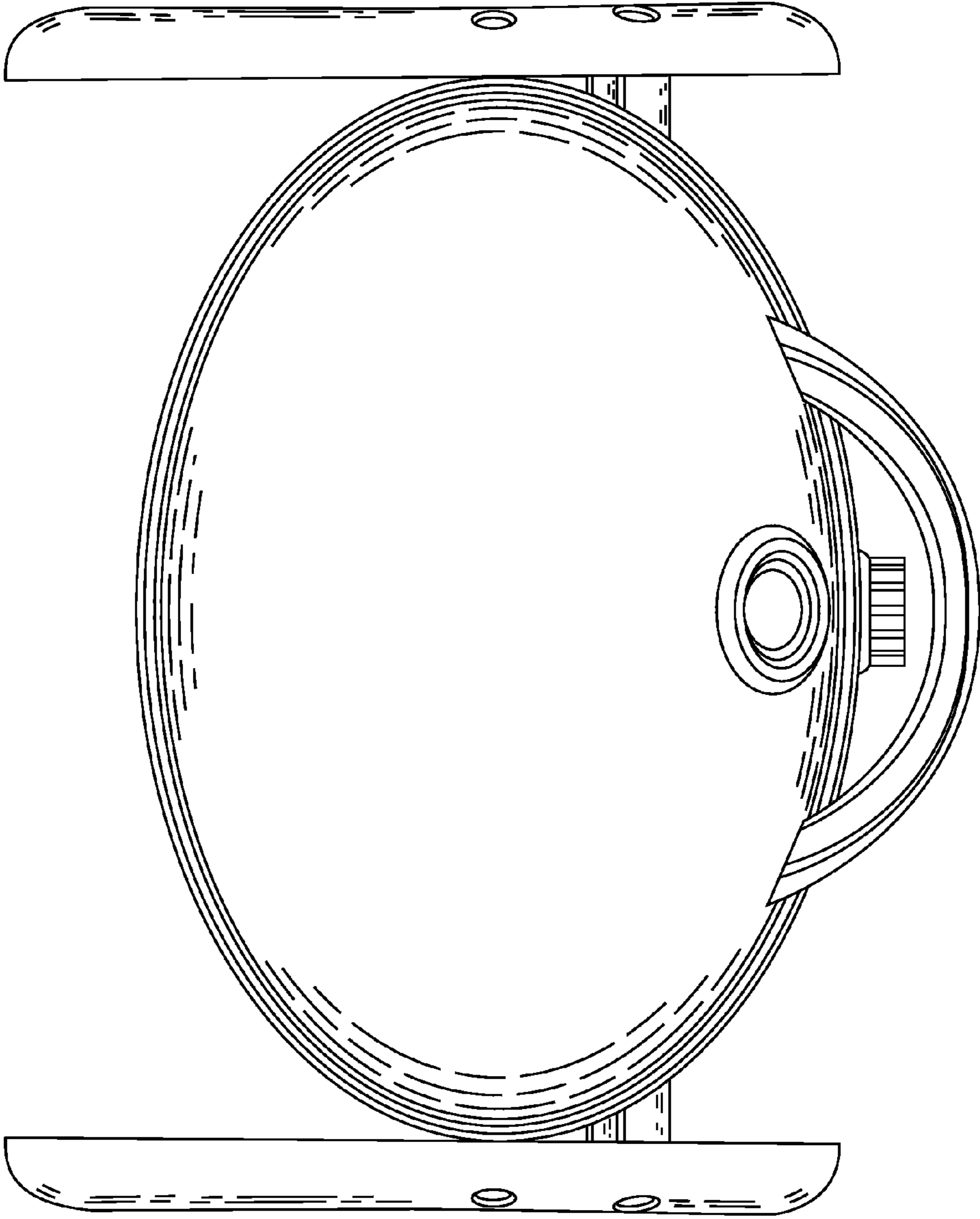


Figure 2

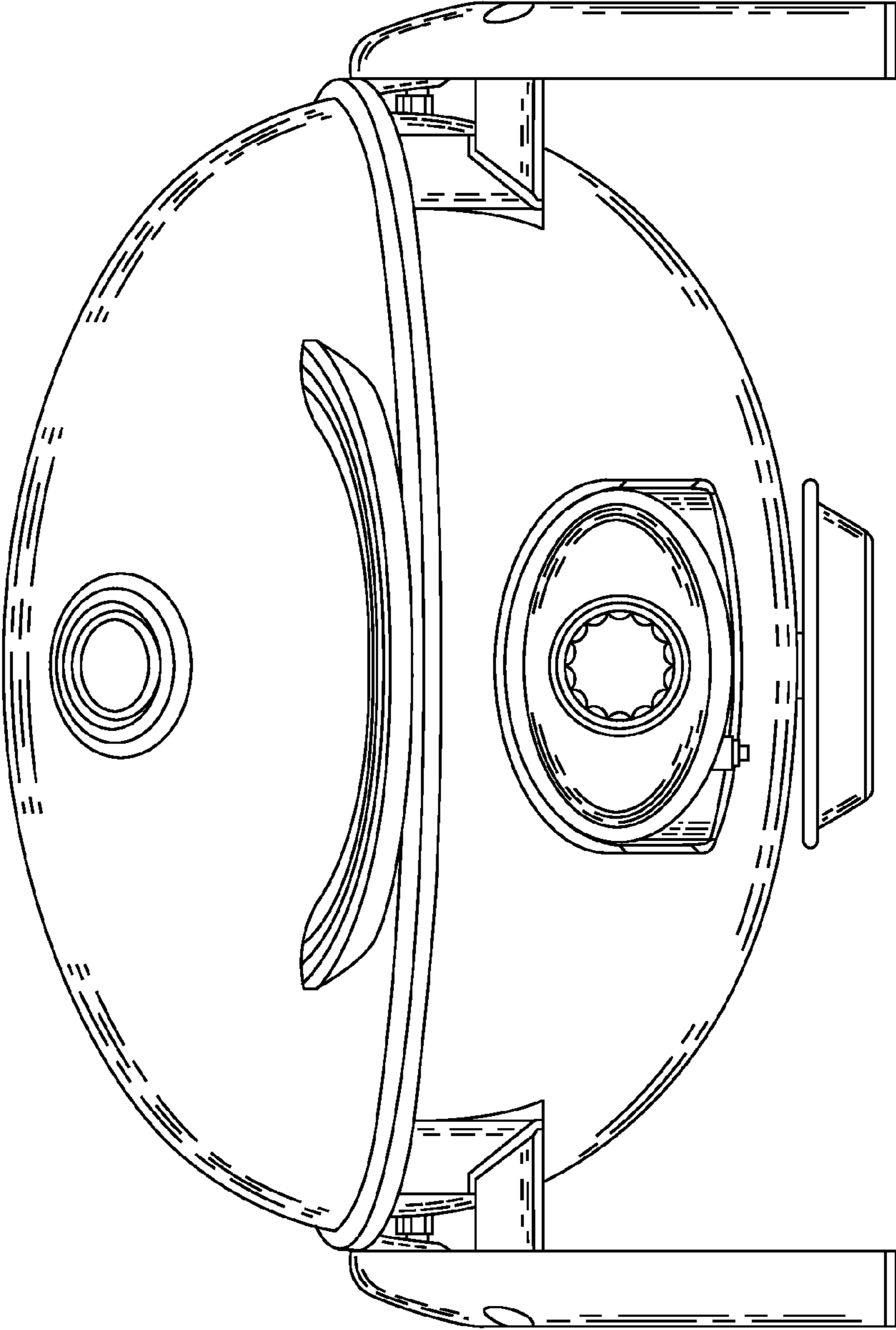


Figure 3

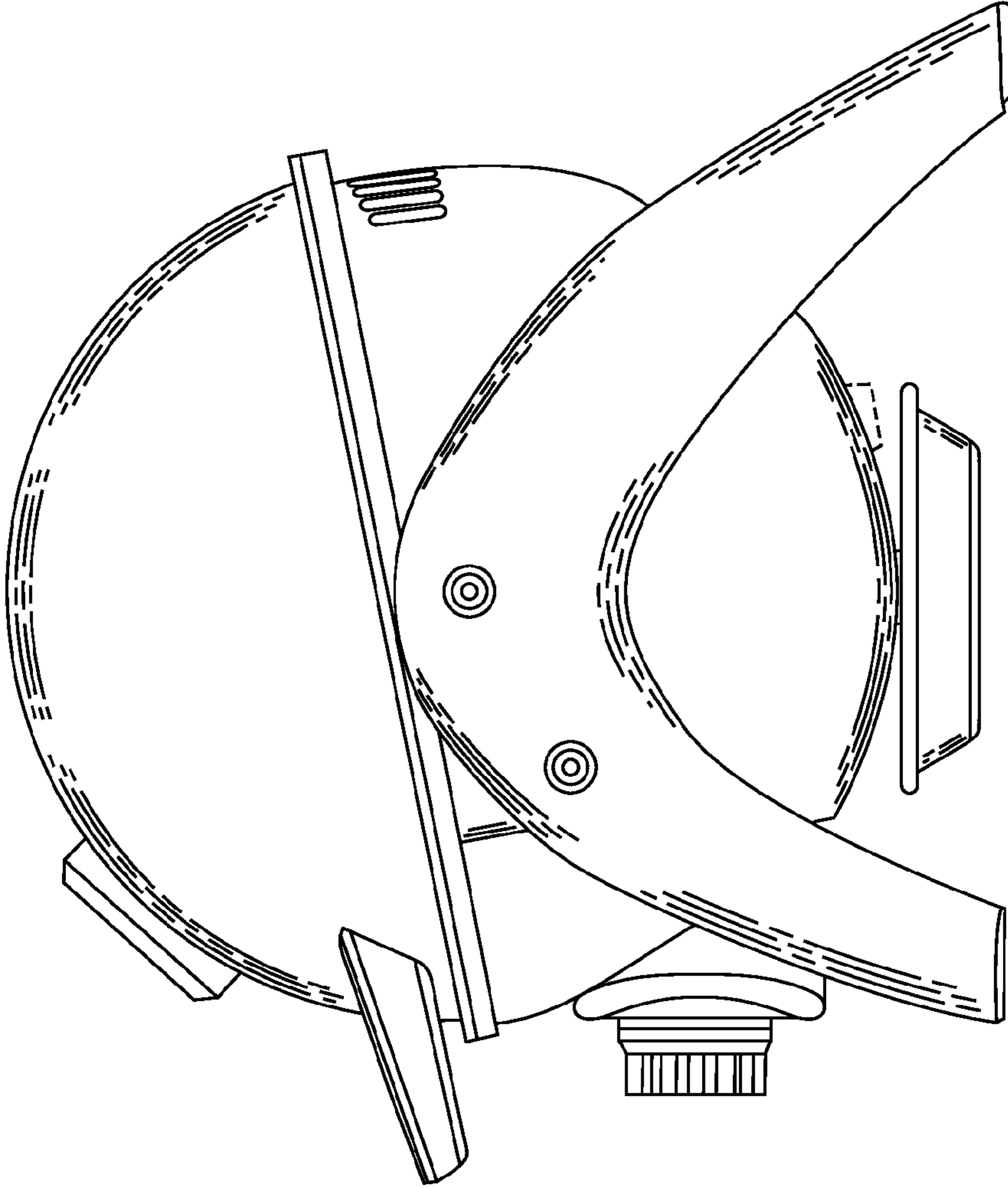


Figure 4

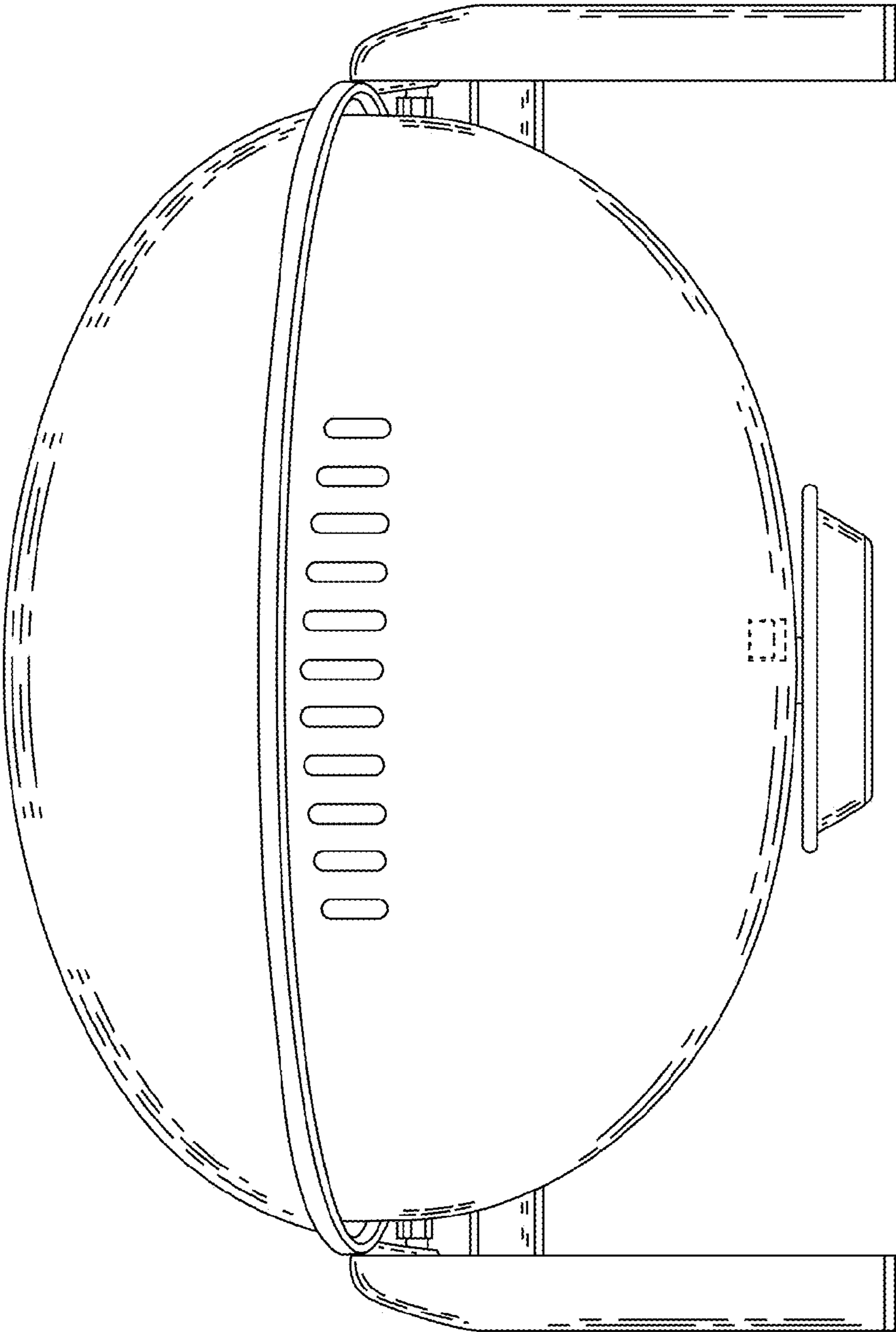


Figure 5

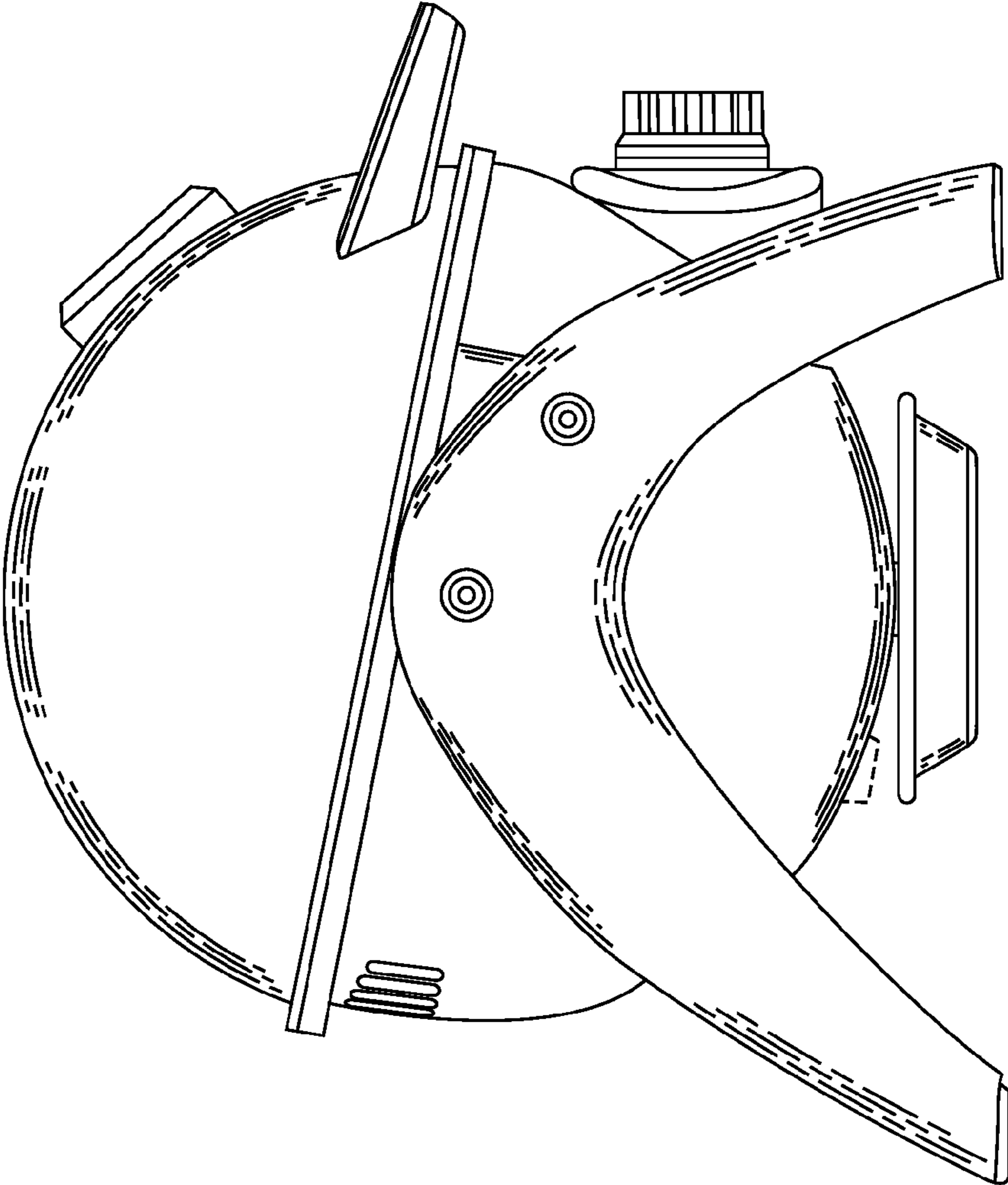


Figure 6