



US00D726486S

(12) **United States Design Patent**
Averty

(10) **Patent No.:** **US D726,486 S**
(45) **Date of Patent:** **** Apr. 14, 2015**

(54) **ELECTRIC KETTLE**

(71) Applicant: **SEB, Selongey (FR)**

(72) Inventor: **Lionel Averty, Dijon (FR)**

(73) Assignee: **SEB, Selongey (FR)**

(**) Term: **14 Years**

(21) Appl. No.: **29/475,687**

(22) Filed: **Dec. 5, 2013**

(30) **Foreign Application Priority Data**

Jun. 7, 2013 (EM) 002251819-0001

(51) **LOC (10) Cl.** **07-01**

(52) **U.S. Cl.**
USPC **D7/319; D7/312; D7/317**

(58) **Field of Classification Search**
CPC A47J 27/21; A47J 27/06; A47J 27/21008;
A47J 27/21041; A47J 31/10; A47G 19/14
USPC D7/310-322, 392, 397; D23/207;
222/469, 1, 500; 99/303, 323.3;
219/494, 437
See application file for complete search history.

(56) **References Cited**

U.S. PATENT DOCUMENTS

D322,007 S * 12/1991 Adams et al. D7/317
D339,023 S * 9/1993 De Coster D7/318
D345,670 S * 4/1994 Piret D7/319
D362,151 S * 9/1995 Wilson et al. D7/319
D362,582 S * 9/1995 Wilson et al. D7/319
D393,569 S * 4/1998 Lai et al. D7/392
D442,014 S * 5/2001 Haring et al. D7/319
6,755,120 B1 * 6/2004 Lin 99/323.3

D498,384 S * 11/2004 McWilliam D7/319
D498,638 S * 11/2004 Morrison D7/319
D544,288 S * 6/2007 Berlencourt D7/319
D554,425 S * 11/2007 Schwamkrug D7/318
D581,718 S * 12/2008 Verdun D7/319
D607,686 S * 1/2010 Elissen D7/319
D658,925 S * 5/2012 Horimoto D7/319
8,536,490 B2 * 9/2013 Zhang et al. 219/209
D703,479 S * 4/2014 Norland et al. D7/377
D709,724 S * 7/2014 Mander D7/319
D714,581 S * 10/2014 Shao D7/321

* cited by examiner

Primary Examiner — Marianne Pandozzi

Assistant Examiner — Jae Liang

(74) *Attorney, Agent, or Firm* — Loeb & Loeb LLP

(57) **CLAIM**

The ornamental design for an electric kettle, as shown and described.

DESCRIPTION

FIG. 1 is a perspective view of an electric kettle showing my new design;

FIG. 2 is a front elevational view of the electric kettle of FIG. 1.

FIG. 3 is a rear elevational view of the electric kettle of FIG. 1.

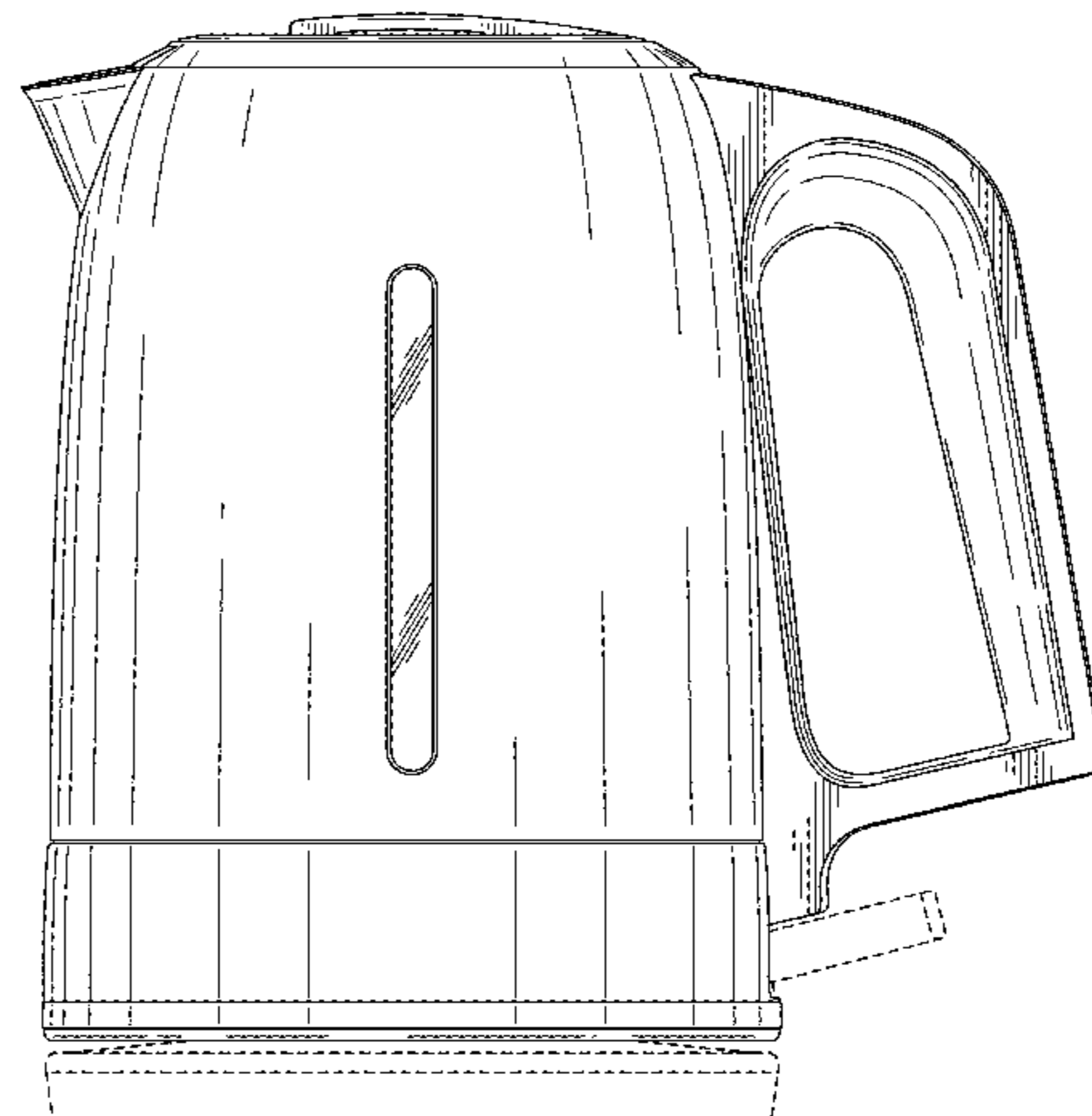
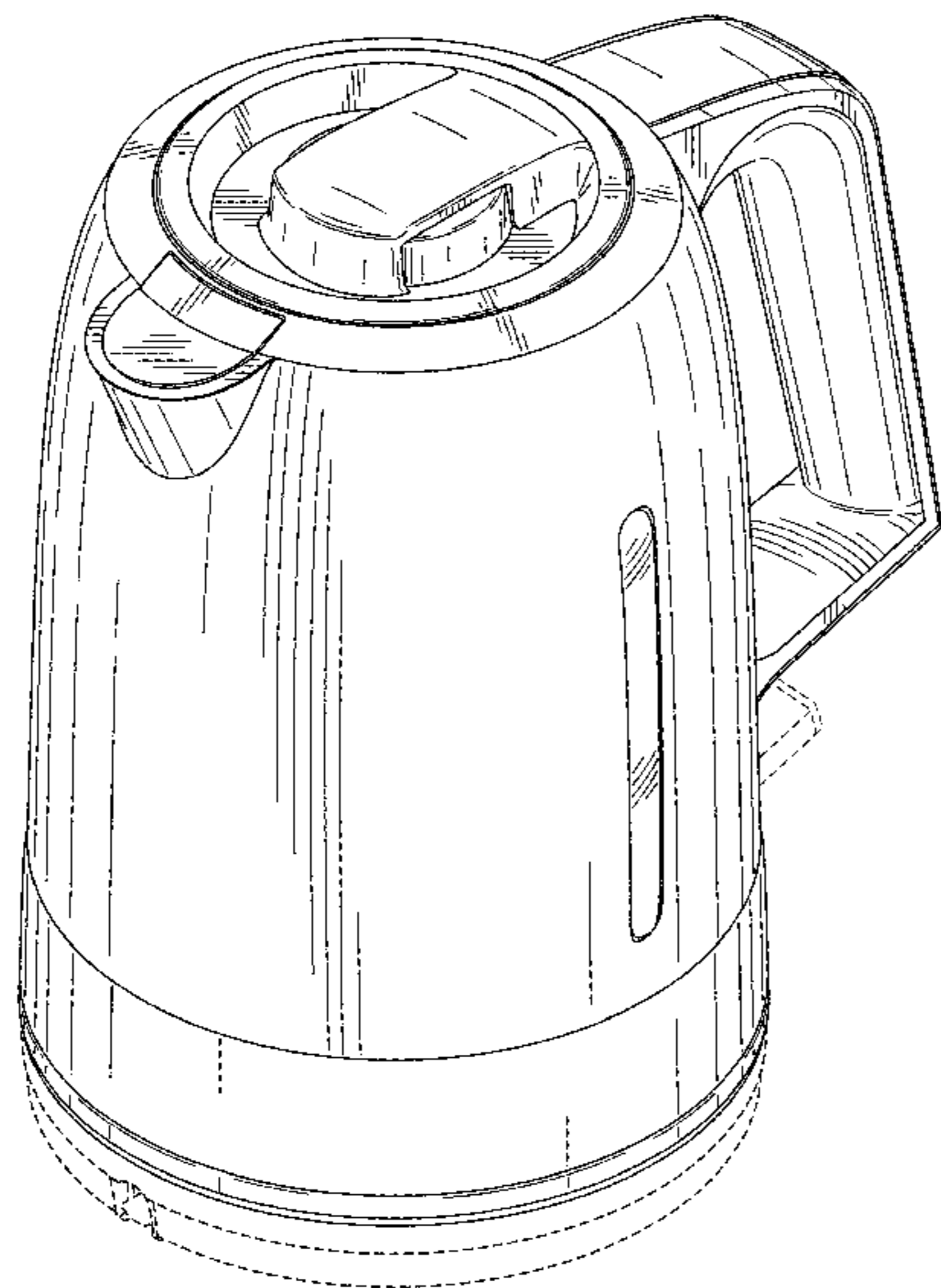
FIG. 4 is a right side elevational view of the electric kettle of FIG. 1.

FIG. 5 is a left side elevational view of the electric kettle of FIG. 1.

FIG. 6 is a top plan view of the electric kettle of FIG. 1; and, FIG. 7 is a bottom plan view of the electric kettle of FIG. 1.

The broken lines appearing in the figures are for the purpose of illustrating portions of the electric kettle and form no part of the claimed design.

1 Claim, 7 Drawing Sheets



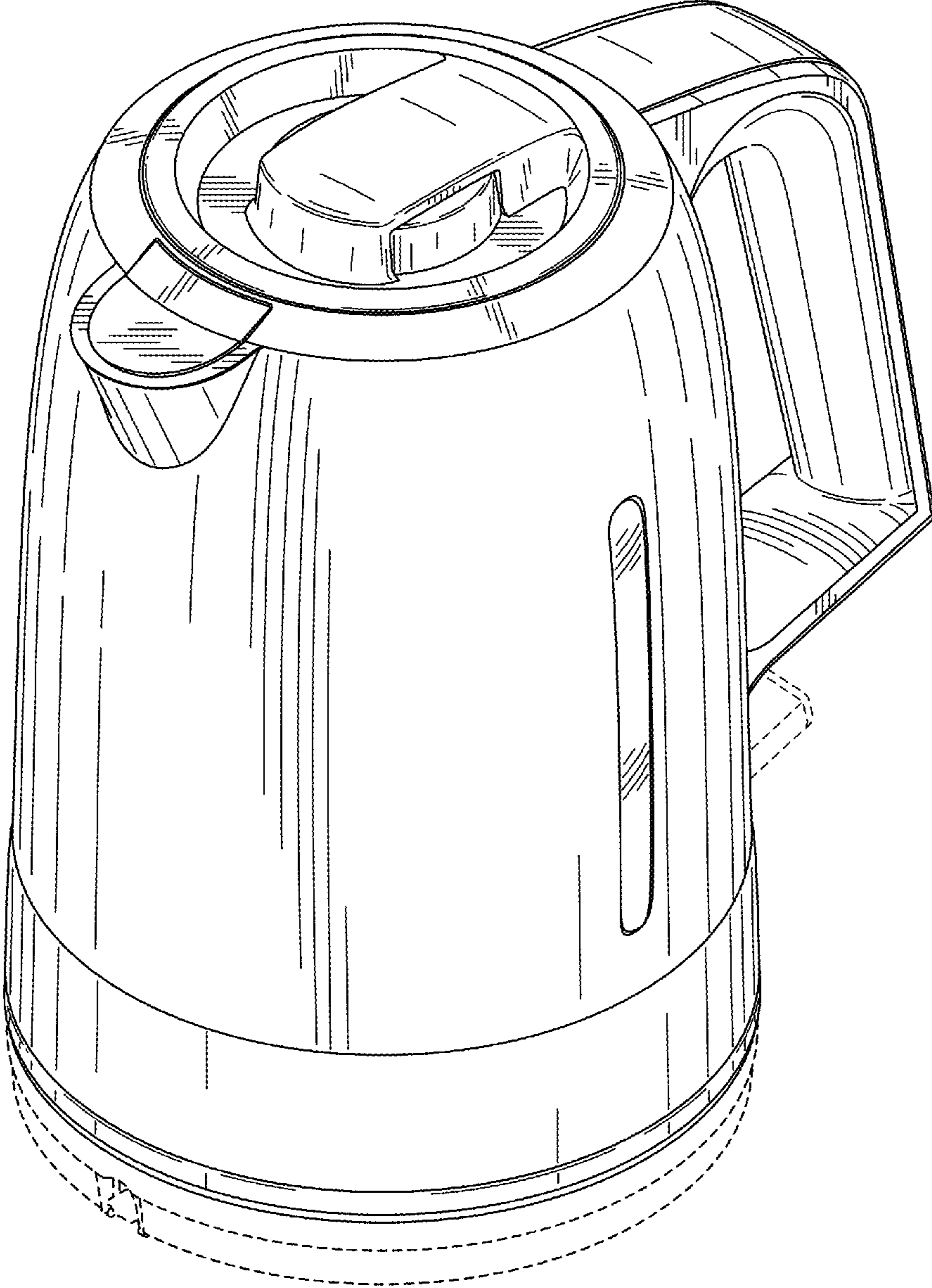


FIG. 1

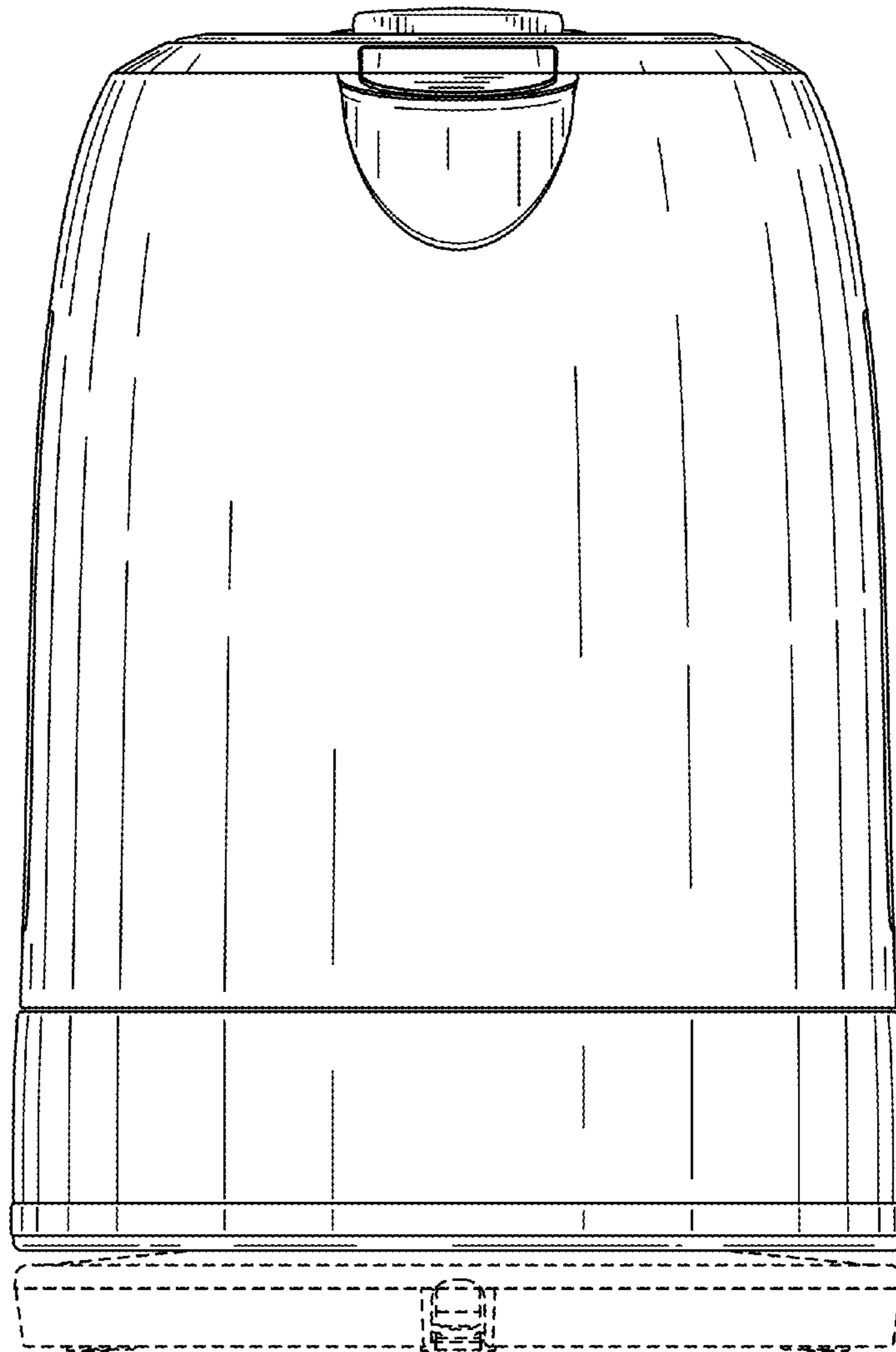


FIG. 2

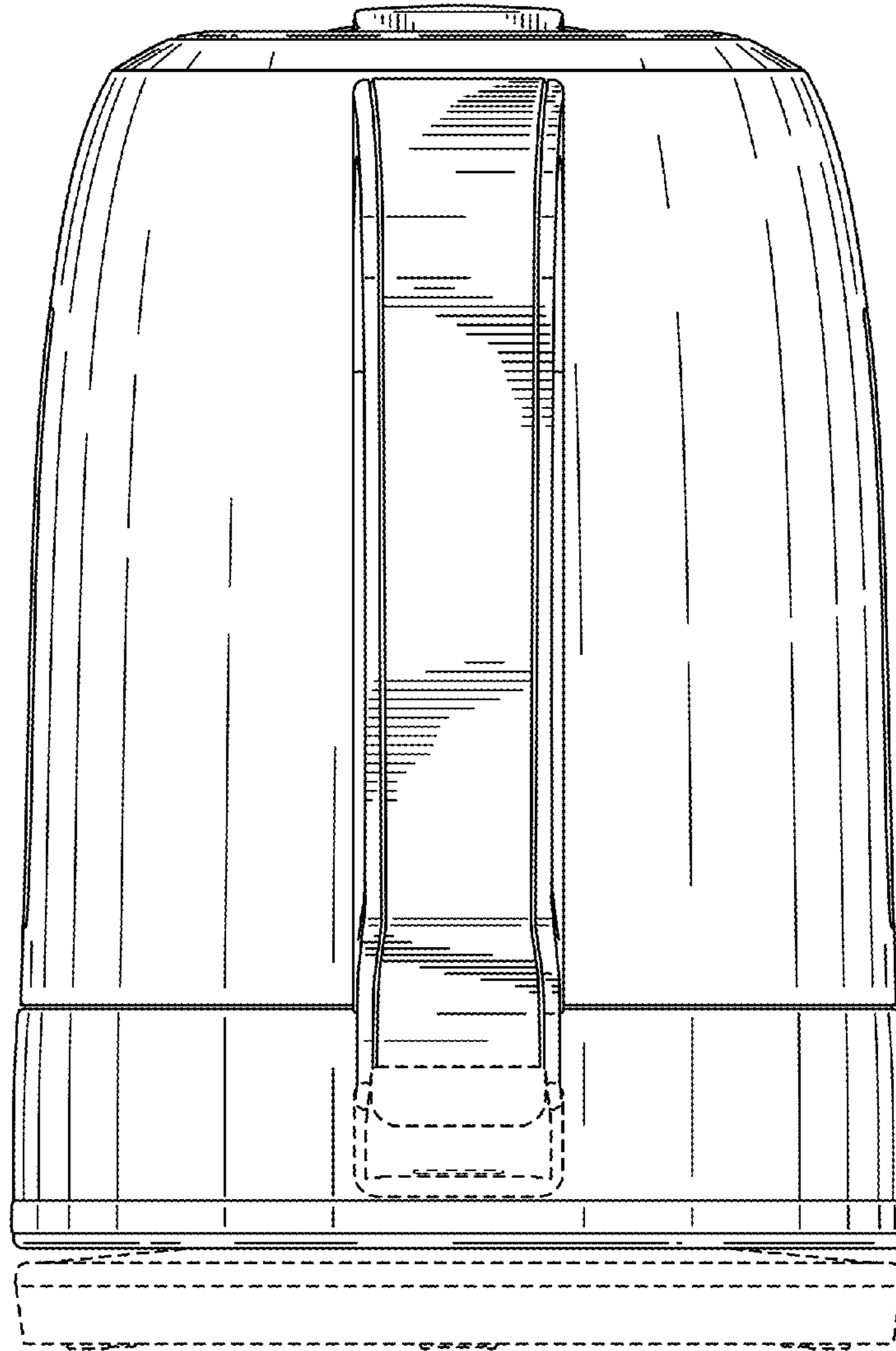


FIG. 3

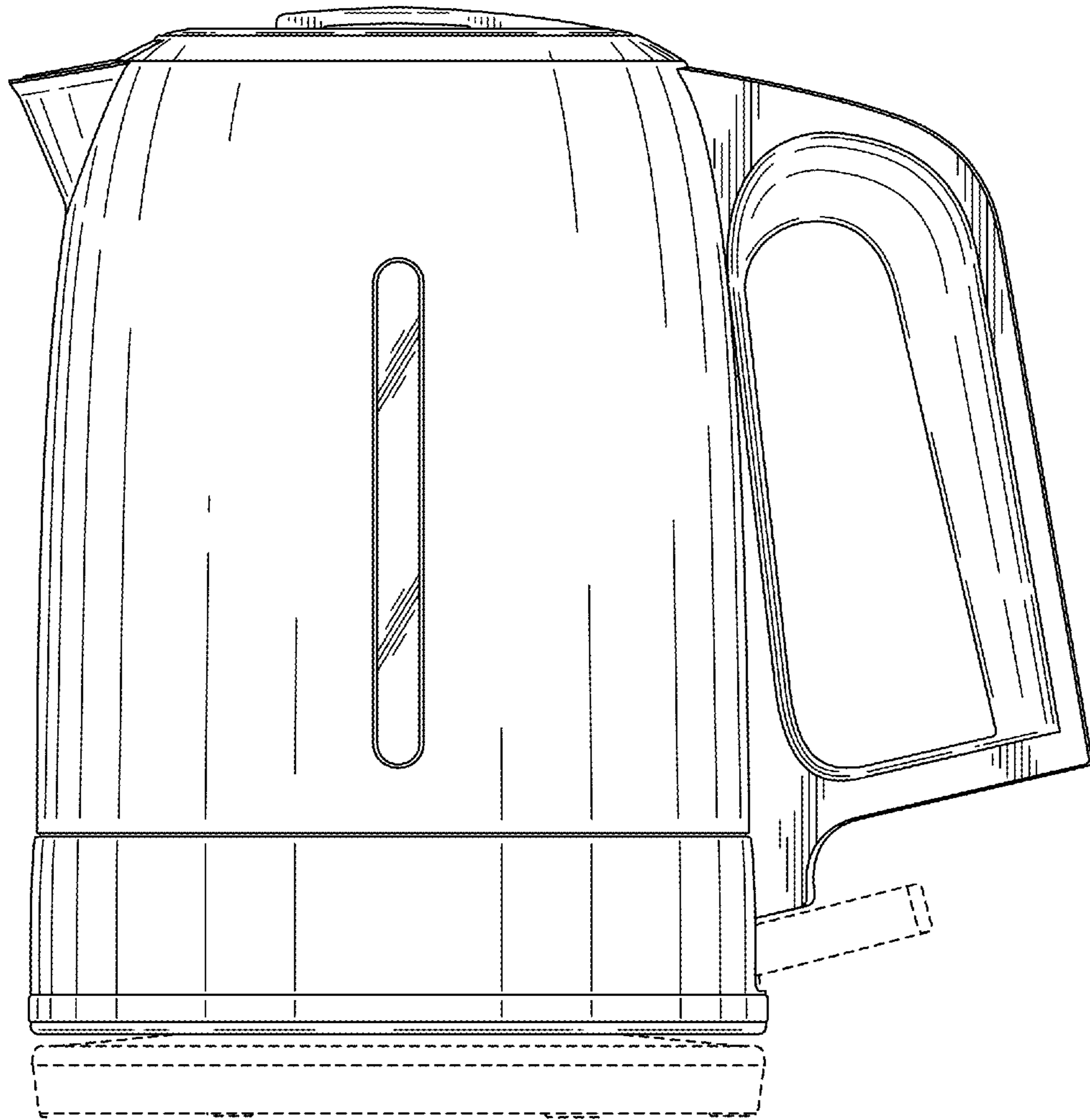


FIG. 4

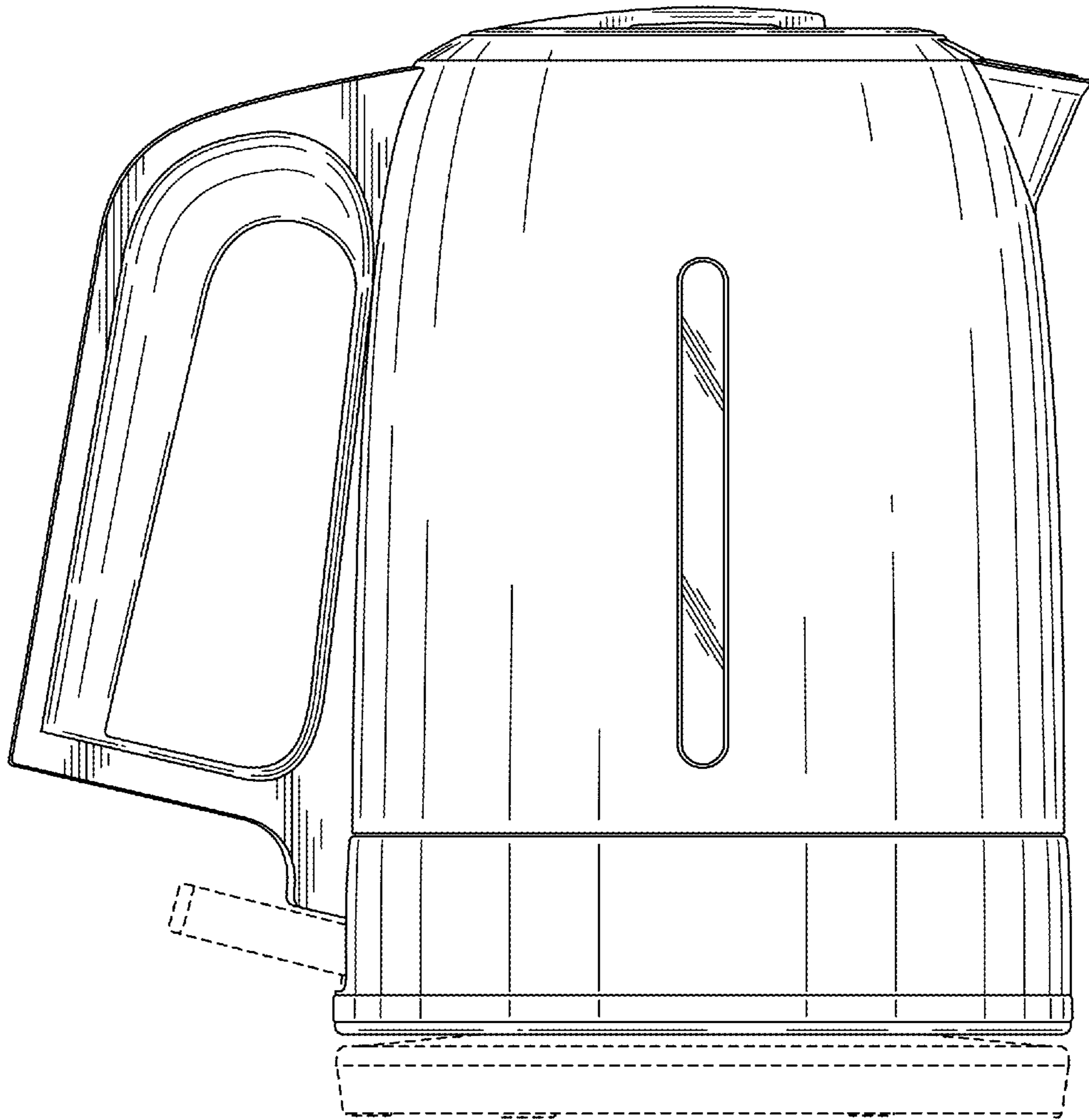


FIG. 5

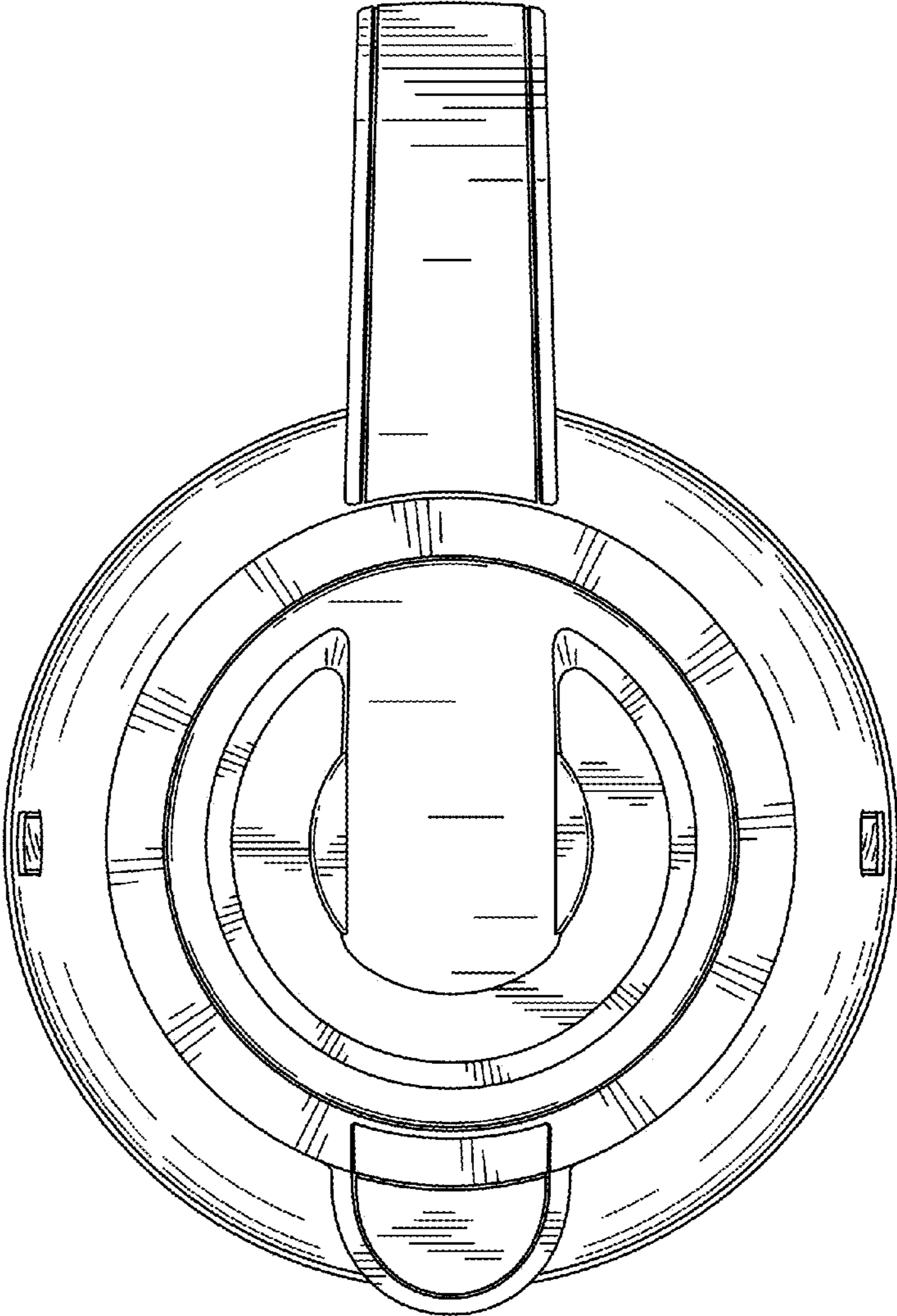


FIG. 6

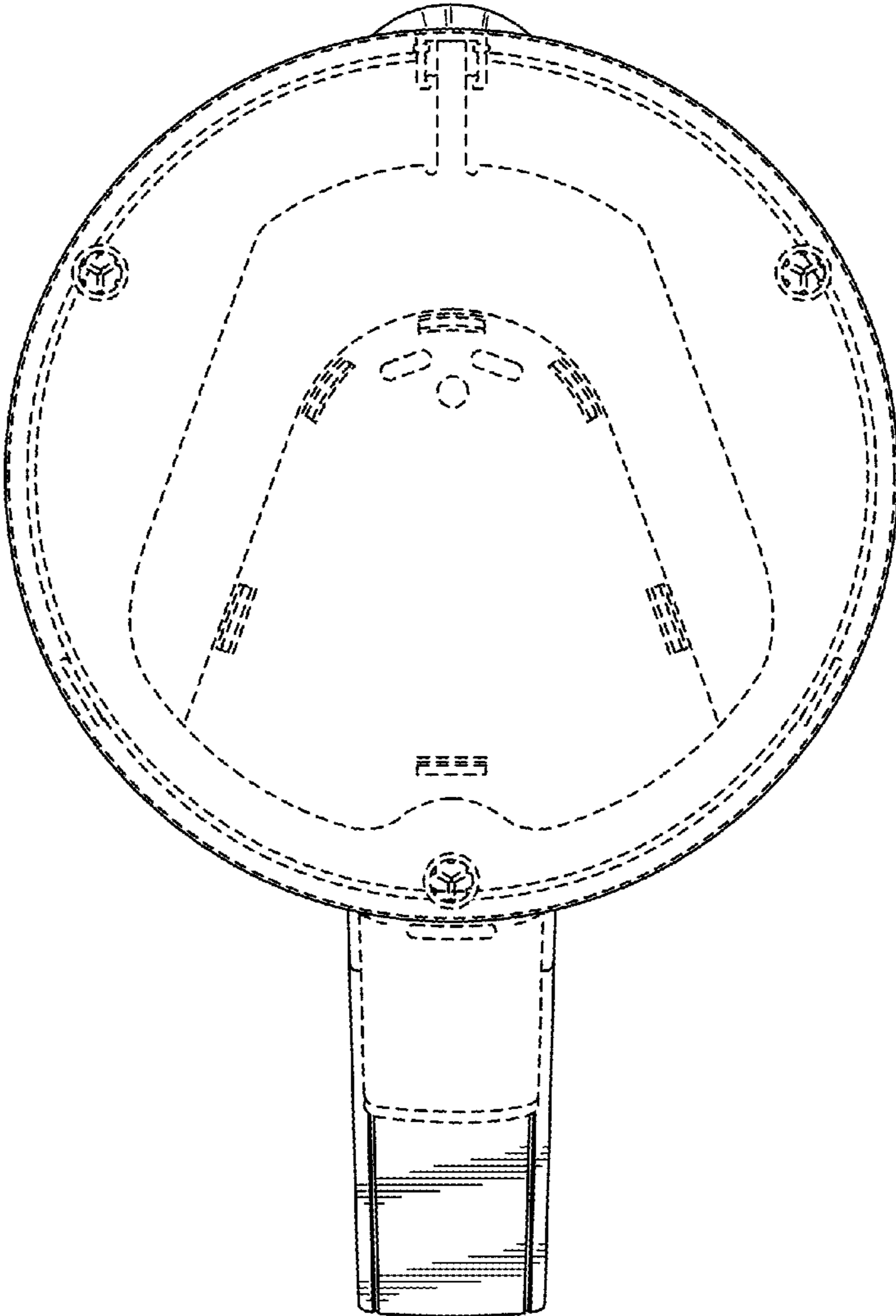


FIG. 7