



US00D726484S

(12) **United States Design Patent**
Williams

(10) **Patent No.:** **US D726,484 S**
(45) **Date of Patent:** **** Apr. 14, 2015**

- (54) **JUG**
- (71) Applicant: **Robert Welch Designs Ltd.**, Chipping Campden, Gloucestershire (GB)
- (72) Inventor: **Ruth Natasha Williams**, Salsbury (GB)
- (73) Assignee: **Robert Welch Designs Ltd.**, Chipping Campden, Gloucestershire (GB)
- (**) Term: **14 Years**
- (21) Appl. No.: **29/460,901**
- (22) Filed: **Jul. 16, 2013**

- (30) **Foreign Application Priority Data**
 - Jan. 16, 2013 (EM) 001357842-0003
 - Jan. 16, 2013 (EM) 001357842-0004
- (51) **LOC (10) Cl.** **07-01**
- (52) **U.S. Cl.**
USPC **D7/316; D7/598**
- (58) **Field of Classification Search**
CPC A47G 19/14
USPC D7/312, 300, 316-319, 310, 309, 600,
D7/598; 222/465.1, 189.06, 571; 215/398,
215/235, 12.1; 220/713, 663; 99/303;
D10/46.2
See application file for complete search history.

- (56) **References Cited**
U.S. PATENT DOCUMENTS

D34,895 S *	8/1901	McFaddin	D7/319
D66,714 S *	2/1925	Sebring et al.	D7/319
D72,282 S *	3/1927	Schmidt	D7/319
D72,498 S *	4/1927	Scavullo	D7/319
2,442,047 A *	5/1948	Kemper	222/571
D152,159 S *	12/1948	Kemper	D7/319
D160,346 S *	10/1950	Silcox	D7/319
D162,271 S *	2/1951	Wright	D7/319
D165,042 S *	10/1951	Zeisel	D7/319

- | | | | |
|--------------|---------|----------------------|---------|
| D171,241 S * | 1/1954 | Barnhart | D7/319 |
| D176,826 S * | 1/1956 | Sacia et al. | D7/319 |
| D179,370 S * | 12/1956 | Barnhart | D7/319 |
| D181,348 S * | 11/1957 | Dube | D7/318 |
| D184,814 S * | 4/1959 | James | D7/319 |
| D211,382 S * | 6/1968 | Erenhouse | D7/319 |
| D266,729 S * | 11/1982 | Blake | D7/318 |
| D280,061 S * | 8/1985 | Mugglin | D7/316 |
| D303,904 S * | 10/1989 | Wolfenden | D7/317 |
| D319,554 S * | 9/1991 | Unger | D7/319 |
| D319,753 S * | 9/1991 | Unger | D7/319 |
| D377,882 S * | 2/1997 | Huang | D7/317 |
| D393,174 S * | 4/1998 | Mork et al. | D7/318 |
| D439,789 S * | 4/2001 | Kaposi et al. | D7/316 |
| D472,105 S * | 3/2003 | Jørgensen | D7/598 |
| D490,639 S * | 6/2004 | Kling | D7/318 |
| D491,417 S * | 6/2004 | Bodum | D7/505 |
| D523,280 S * | 6/2006 | Bertulis | D7/317 |
| D548,009 S * | 8/2007 | Dorst | D7/514 |
| D584,556 S * | 1/2009 | Bodum | D7/318 |
| D587,958 S * | 3/2009 | Schosser | D7/318 |
| D642,005 S * | 7/2011 | Geissler et al. | D7/319 |
| D655,374 S * | 3/2012 | Sheppard et al. | D23/209 |
| D663,589 S * | 7/2012 | Pascot | D7/509 |
| D676,713 S * | 2/2013 | Jalet | D7/598 |

(Continued)

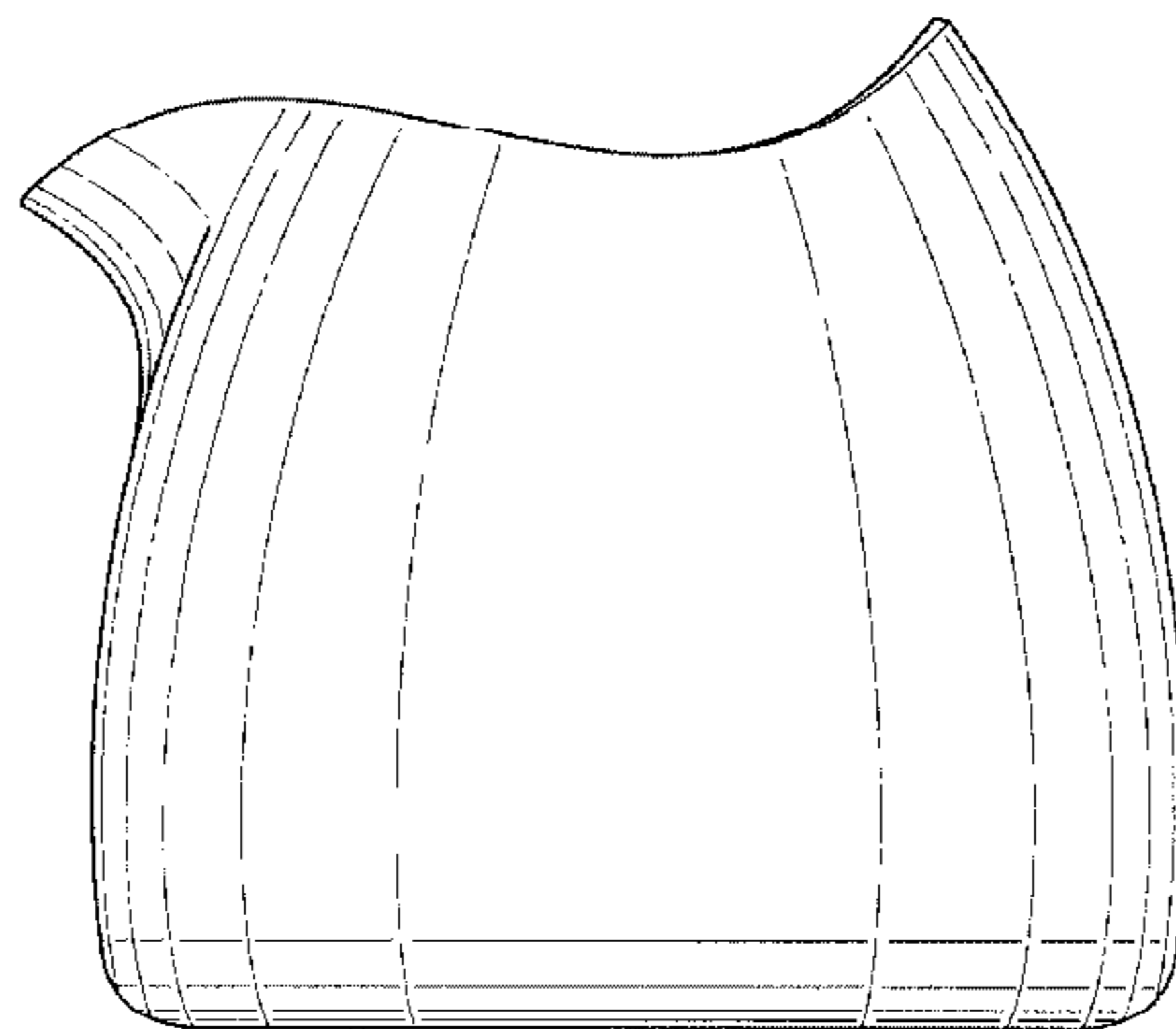
Primary Examiner — Marianne Pandozzi
(74) *Attorney, Agent, or Firm* — MacMillan, Sobanski & Todd, LLC

(57) **CLAIM**
The ornamental design for a jug, as shown and described.

DESCRIPTION

FIG. 1 is a perspective view as seen from the upper left front of a jug showing my new design;
FIG. 2 is a right side elevational view thereof;
FIG. 3 is a left side elevational view thereof;
FIG. 4 is a rear elevational view thereof;
FIG. 5 is a front elevational view thereof;
FIG. 6 is a top plan view thereof; and,
FIG. 7 is a bottom plan view thereof.

1 Claim, 4 Drawing Sheets



US D726,484 S

Page 2

(56)

References Cited

U.S. PATENT DOCUMENTS

D679,537 S *	4/2013	Muspratt-Williams et al.	D7/319	D682,601 S *	5/2013	Grasselli et al.	D7/321
D679,953 S *	4/2013	Peterson et al.	D7/598	D685,218 S *	7/2013	Willat et al.	D7/316
D680,790 S *	4/2013	Bell et al.	D7/317	D689,727 S *	9/2013	Muspratt-Williams et al.	D7/319
				D707,487 S *	6/2014	Weernink	D7/318

* cited by examiner

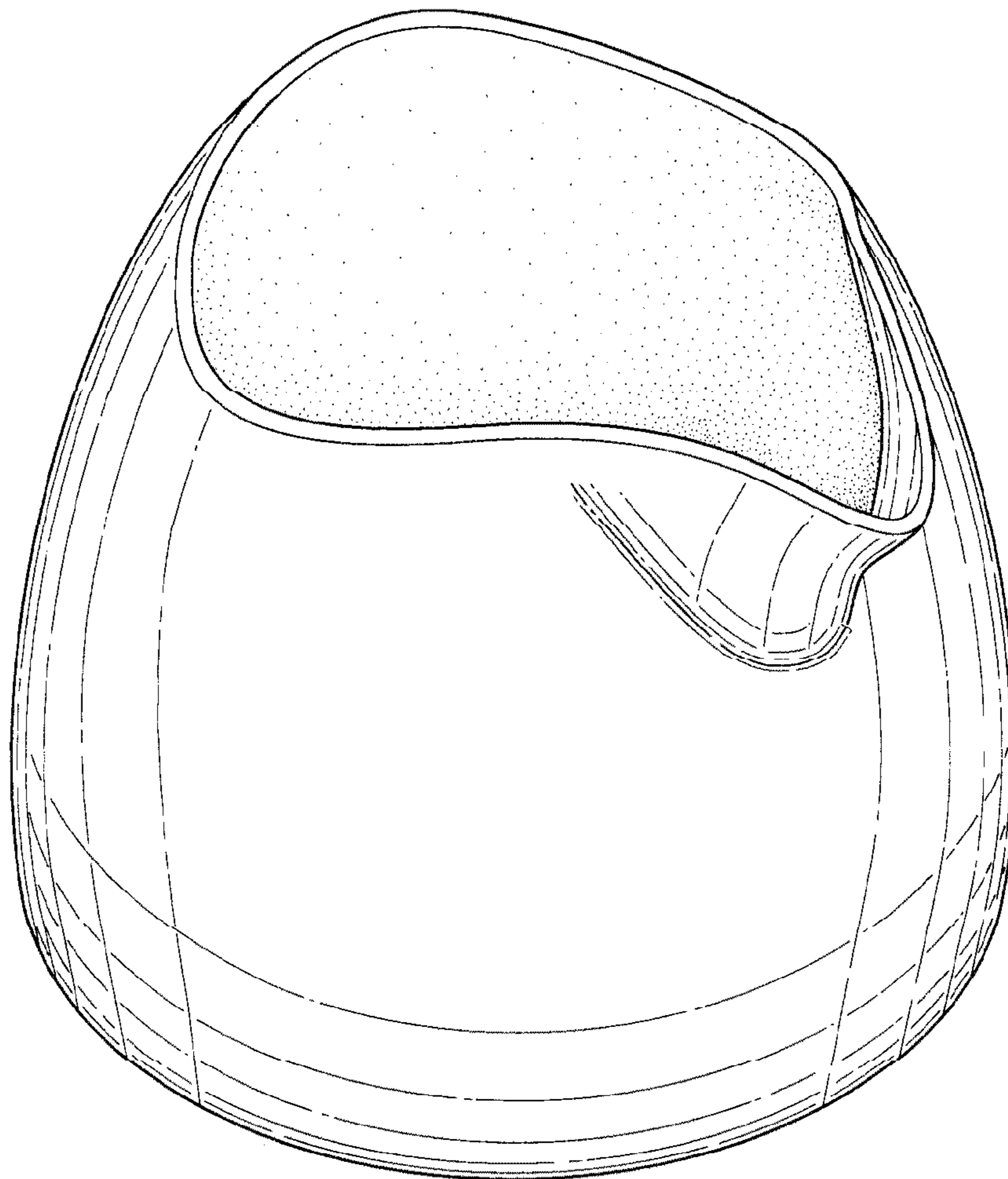


FIG. 1

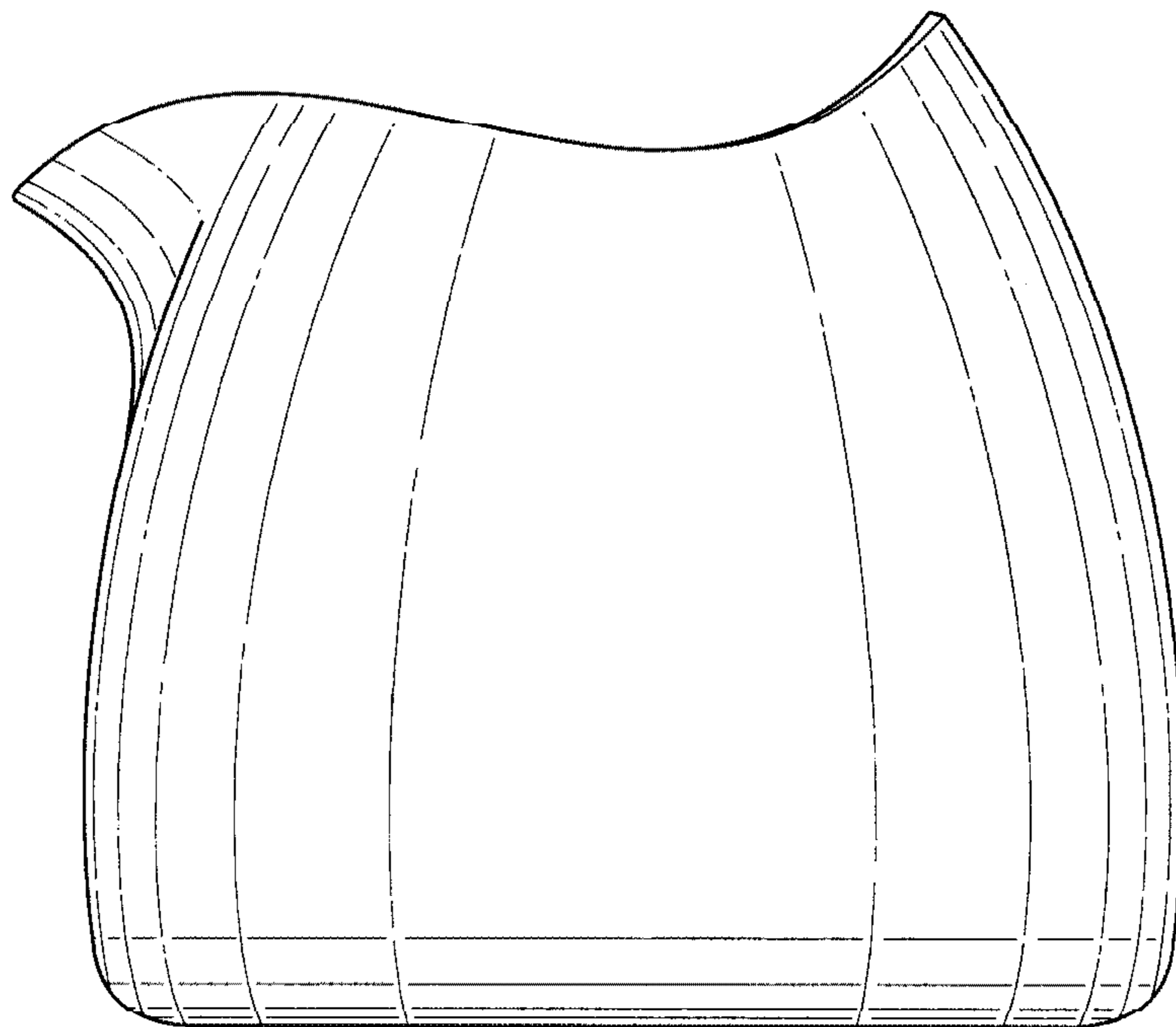


FIG. 2

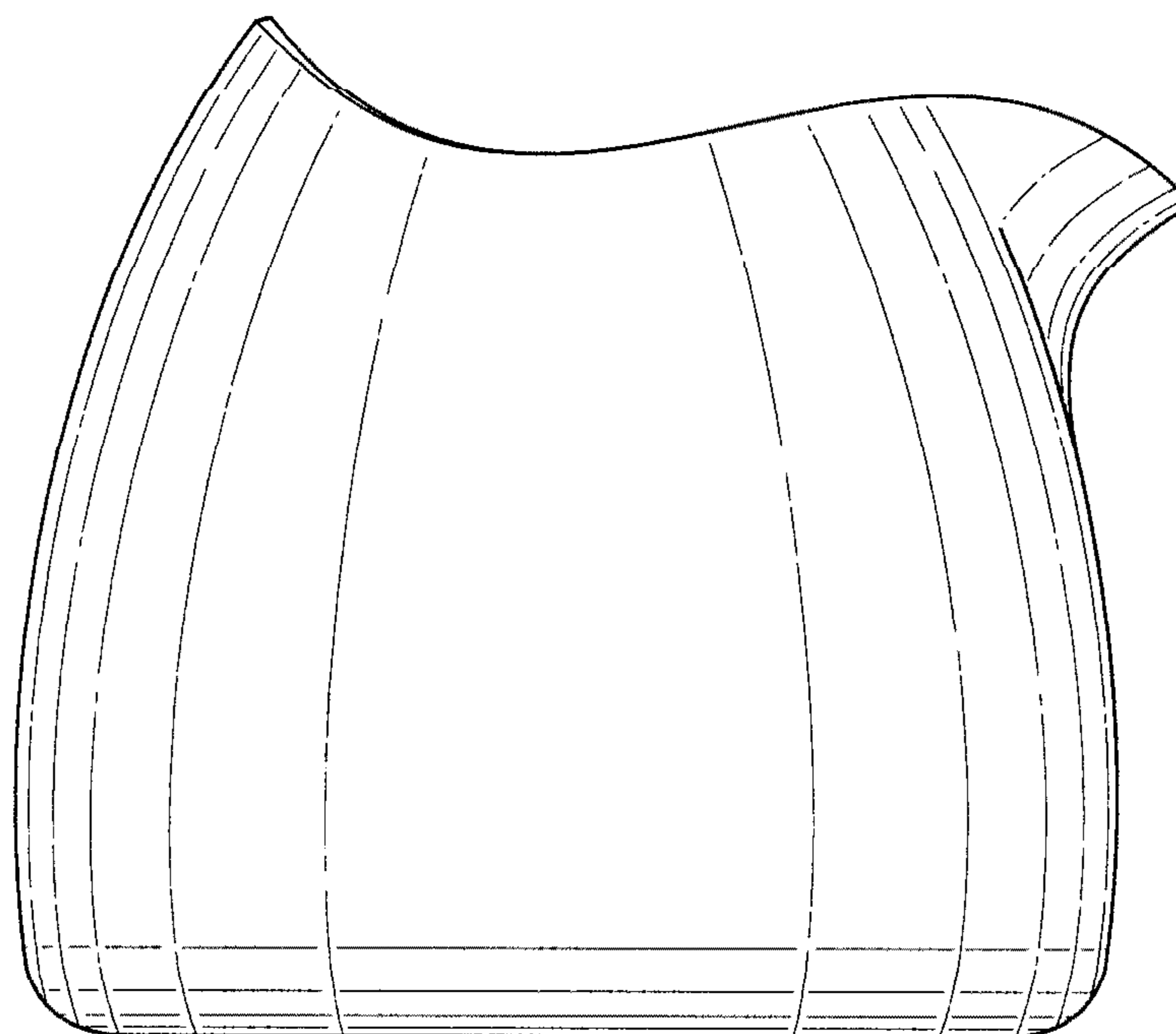


FIG. 3

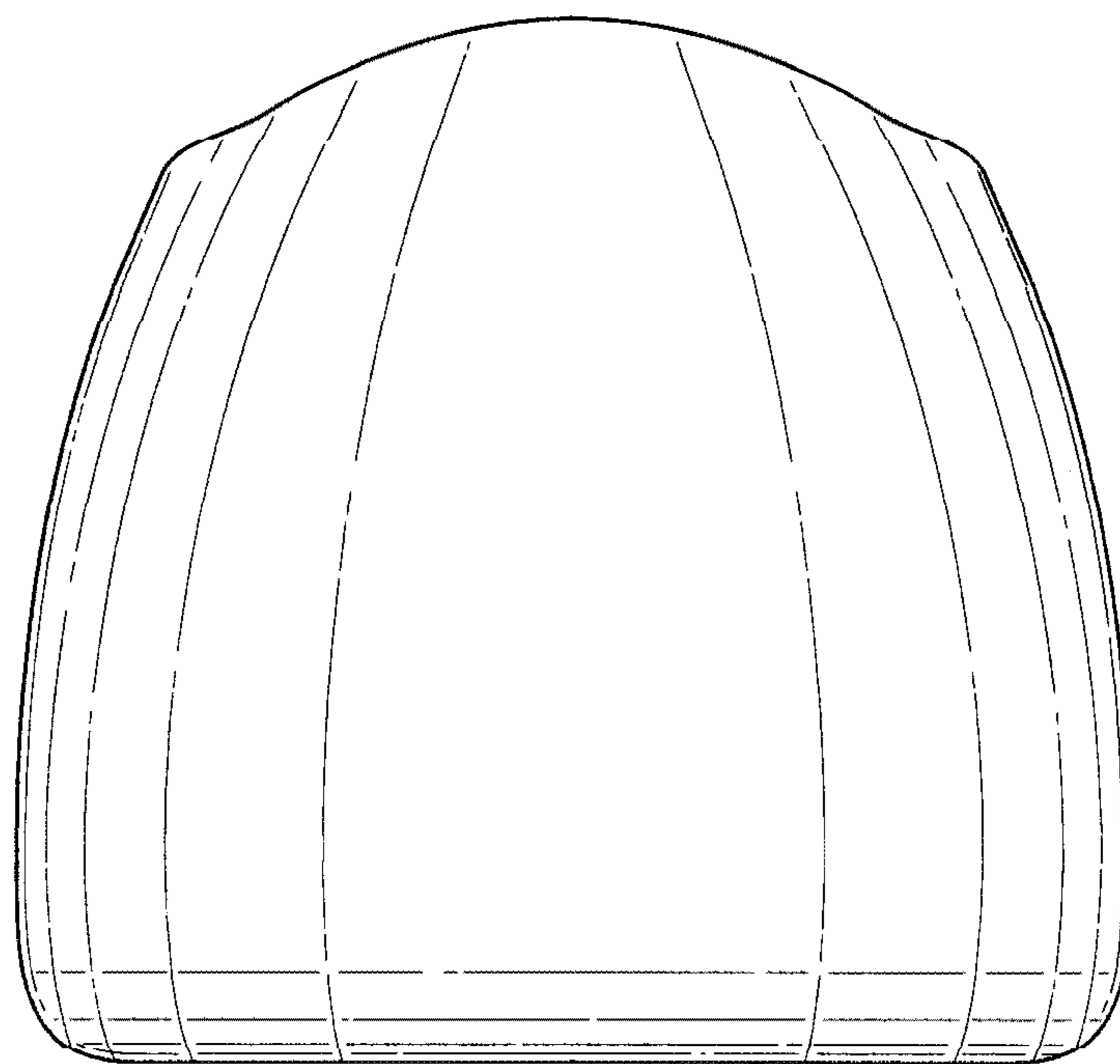


FIG. 4

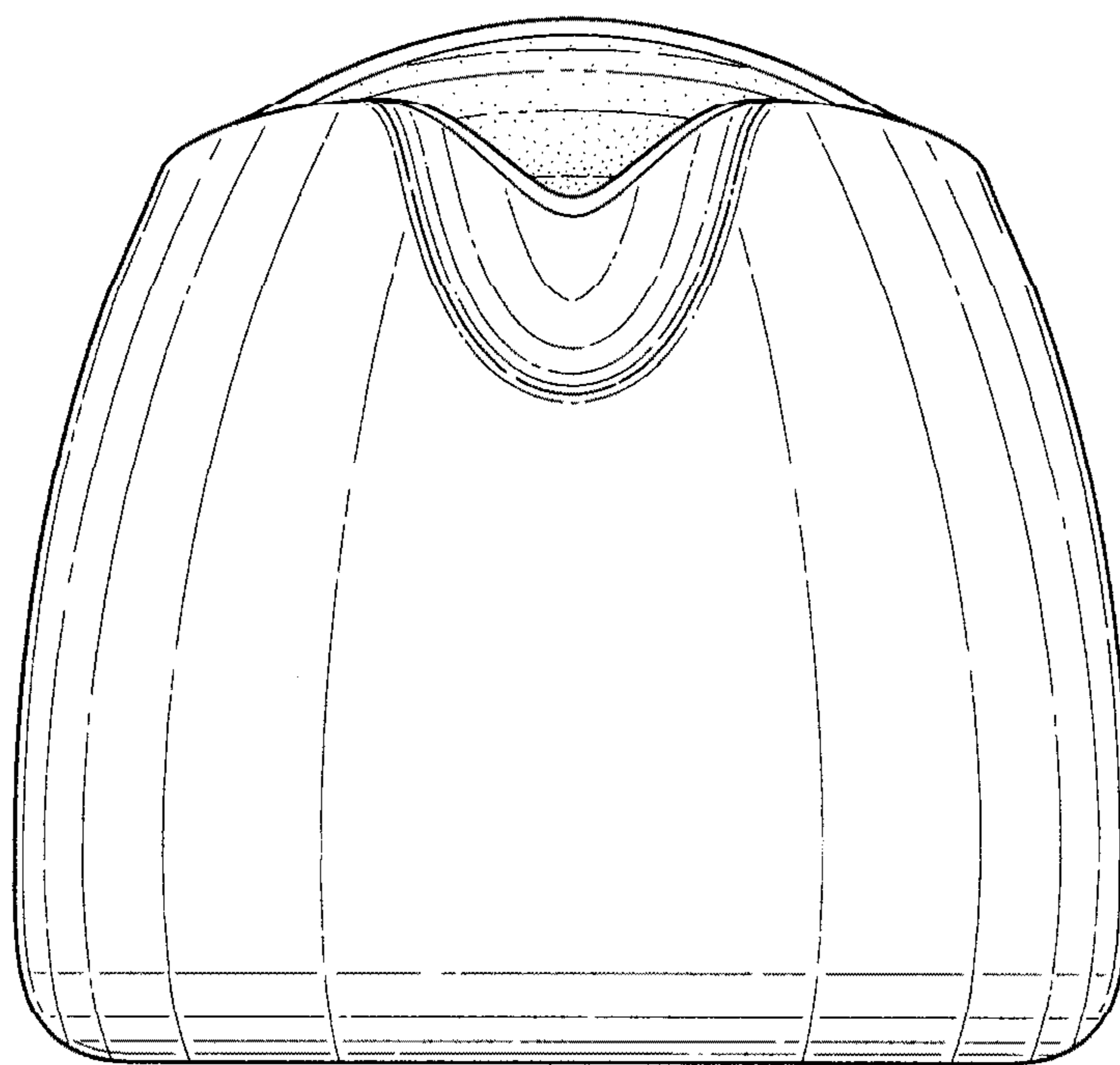


FIG. 5

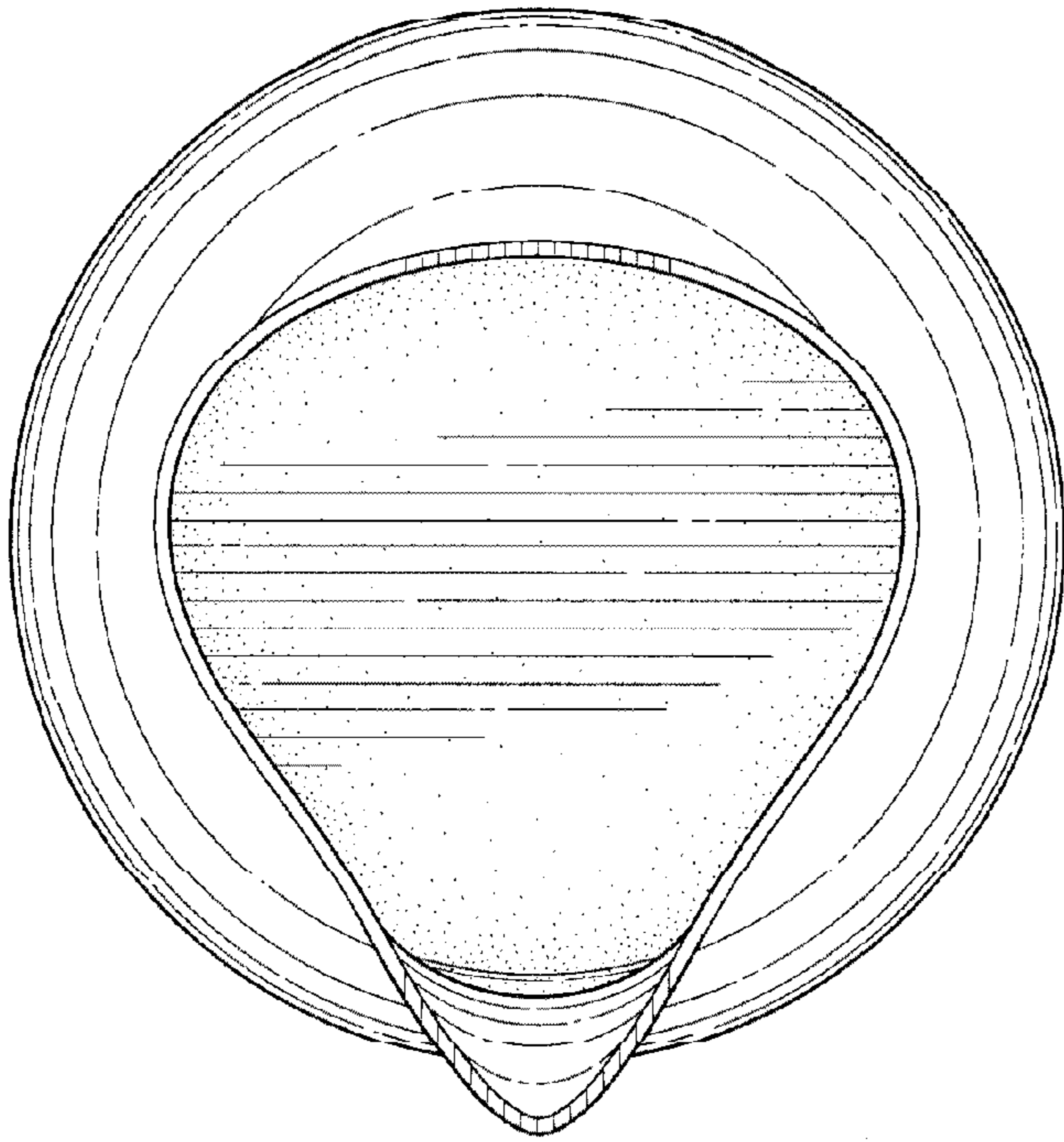


FIG. 6

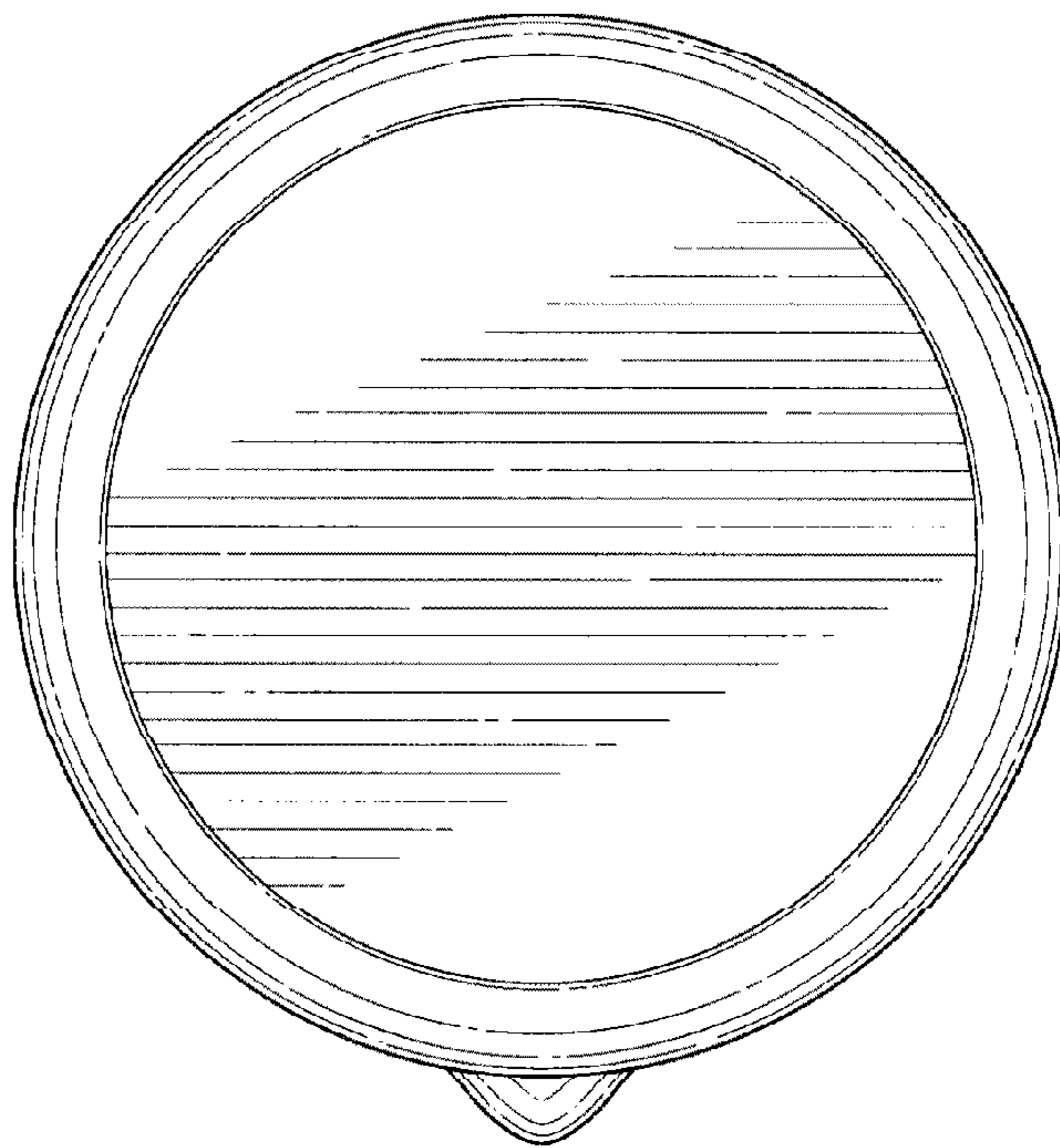


FIG. 7