



US00D726483S

(12) **United States Design Patent**
Lin

(10) **Patent No.:** **US D726,483 S**
(45) **Date of Patent:** **** Apr. 14, 2015**

(54) **COFFEE MACHINE**

(71) Applicant: **Uni-Splendor Corp.**, Tainan (TW)

(72) Inventor: **Yu-Yuan Lin**, Tainan (TW)

(73) Assignee: **Uni-Splendor Corp.**, Tainan (TW)

(**) Term: **14 Years**

(21) Appl. No.: **29/472,217**

(22) Filed: **Nov. 11, 2013**

(51) **LOC (10) Cl.** **07-01**

(52) **U.S. Cl.**
USPC **D7/310; D7/311; D7/309**

(58) **Field of Classification Search**
CPC **A47J 31/00; A47J 31/34; B67D 3/00**
USPC **D7/306-311, 301, 300, 326, 386,**
D7/397-399; 99/281, 305, 307, 287, 290,
99/282, 300, 293, 295; 141/247;
222/129.1, 129.3, 145.6; D24/197;
D14/447; D20/1

See application file for complete search history.

(56) **References Cited**

U.S. PATENT DOCUMENTS

D274,028 S *	5/1984	Jeans	D7/308
D329,160 S *	9/1992	Choi	D7/309
D345,484 S *	3/1994	Mason	D7/309
D354,193 S *	1/1995	Storsberg	D7/309
D454,023 S *	3/2002	Wang	D7/309
D489,217 S *	5/2004	Seum et al.	D7/309

D524,588 S *	7/2006	Copland	D7/309
D543,771 S *	6/2007	Julemont	D7/309
D545,110 S *	6/2007	Julemont	D7/309
D553,897 S *	10/2007	De' Longhi	D7/309
D571,598 S *	6/2008	Moore	D7/306
D575,571 S *	8/2008	Hammad et al.	D7/309
D590,651 S *	4/2009	O'Loughlin	D7/309
D602,729 S *	10/2009	Dahlstrom	D7/309
D628,007 S *	11/2010	Di Bitonto et al.	D7/310
D685,600 S *	7/2013	White	D7/309
D702,237 S *	4/2014	Oberpriller et al.	D14/423
D702,477 S *	4/2014	Hong	D7/309
D719,776 S *	12/2014	Kunz	D7/309

* cited by examiner

Primary Examiner — Marianne Pandozzi

(74) *Attorney, Agent, or Firm* — Alan D. Kamrath; Kamrath IP Lawfirm, P.A.

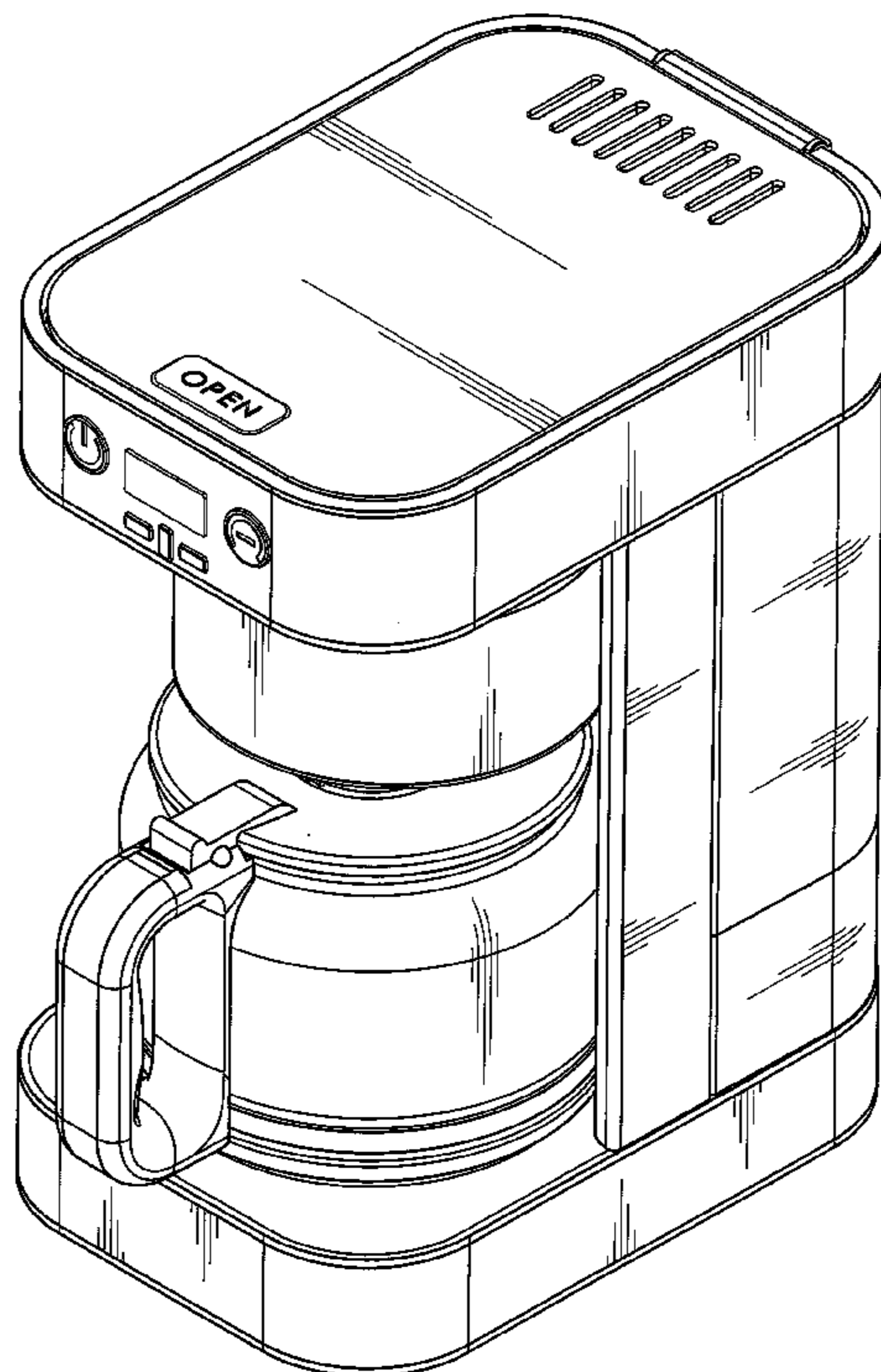
(57) **CLAIM**

The ornamental design for coffee machine, as shown and described.

DESCRIPTION

FIG. 1 is a perspective view of a coffee machine showing my new design;
FIG. 2 is a front side elevational view thereof;
FIG. 3 is a rear side elevational view thereof;
FIG. 4 is a left side elevational view thereof;
FIG. 5 is a top plan view thereof; and,
FIG. 6 is a bottom plan view thereof.
The broken lines in FIG. 6 are included for the purpose of illustration and form no part of the claimed design.

1 Claim, 6 Drawing Sheets



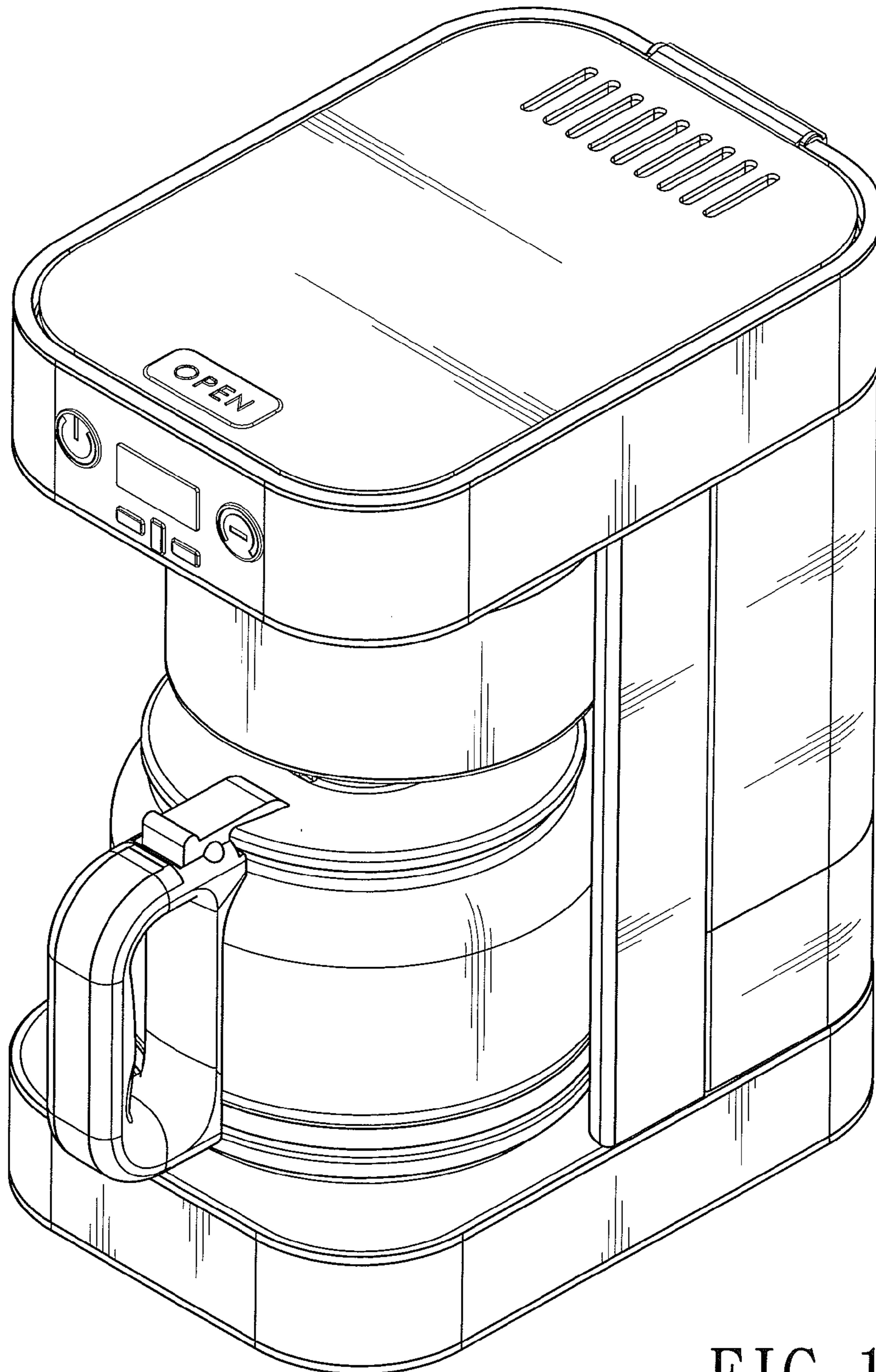


FIG. 1

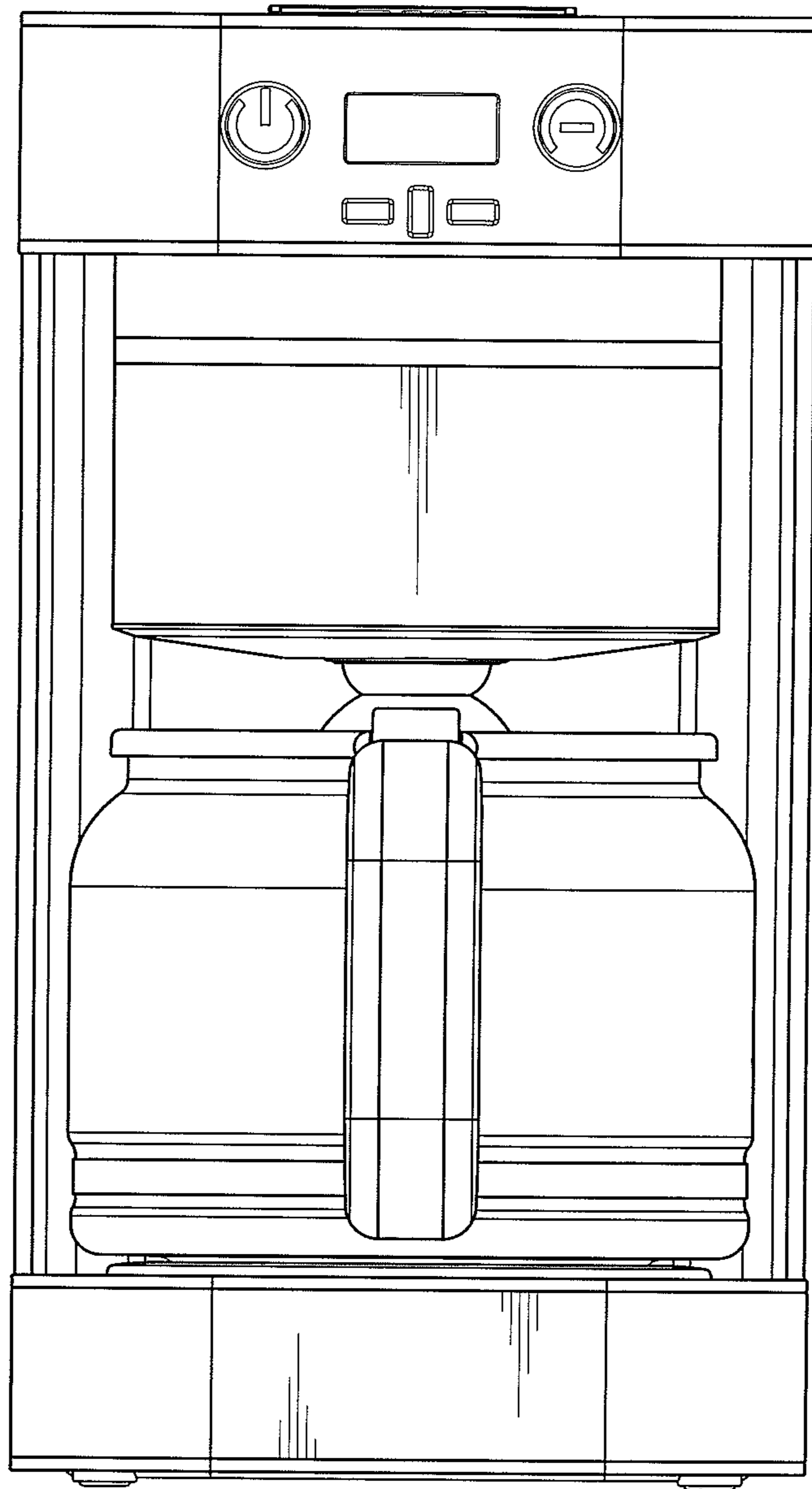


FIG. 2

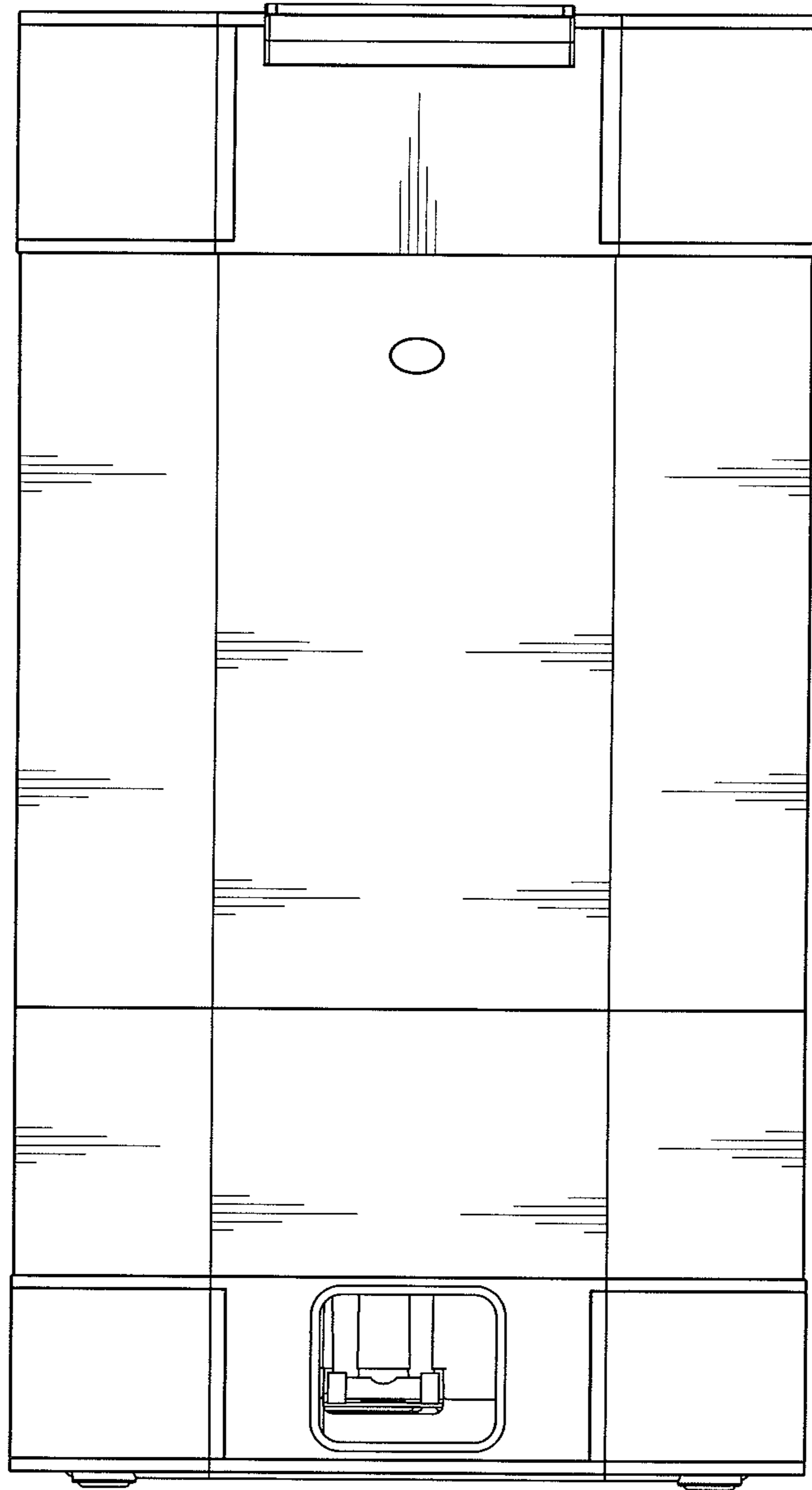


FIG. 3

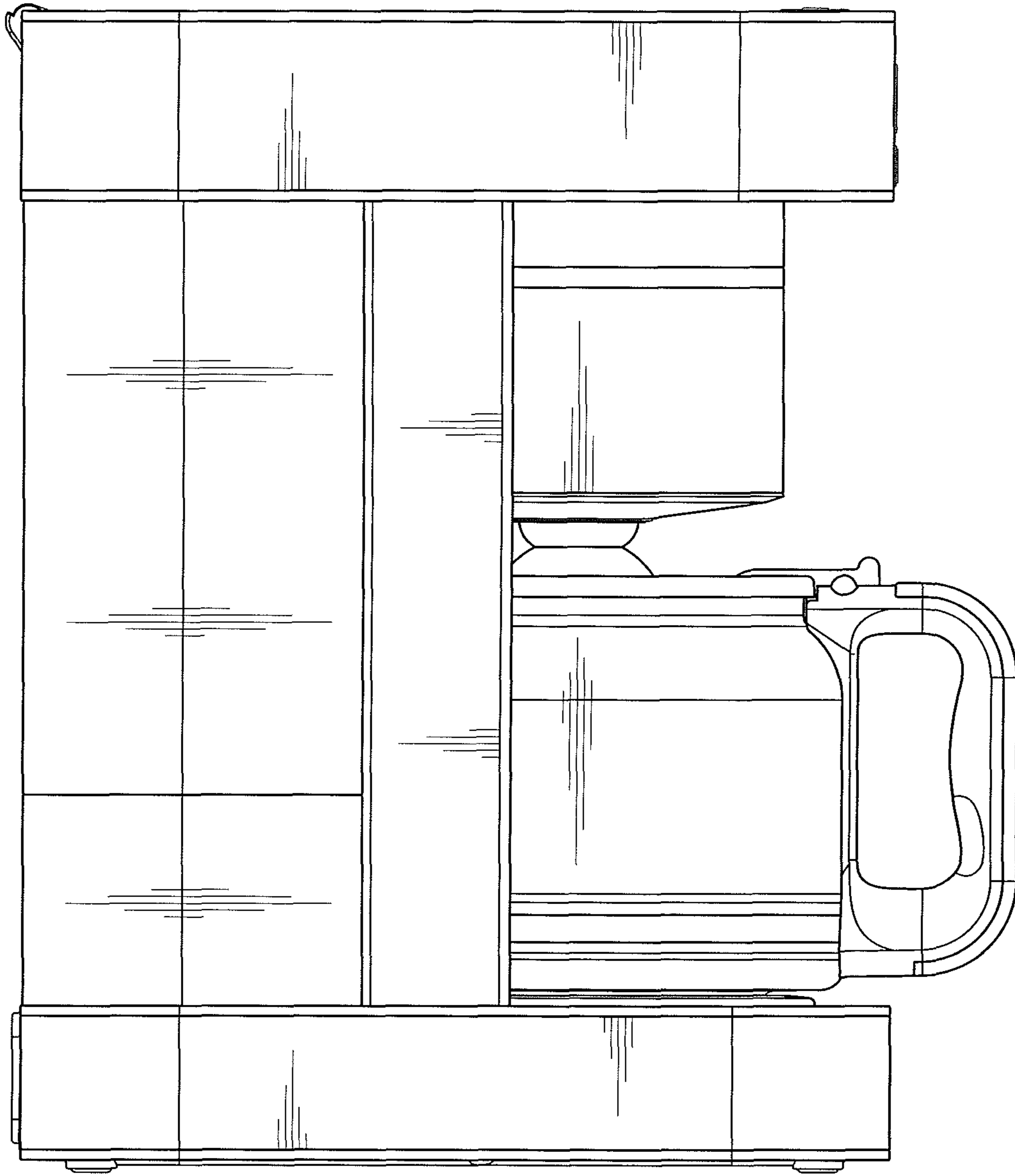


FIG. 4

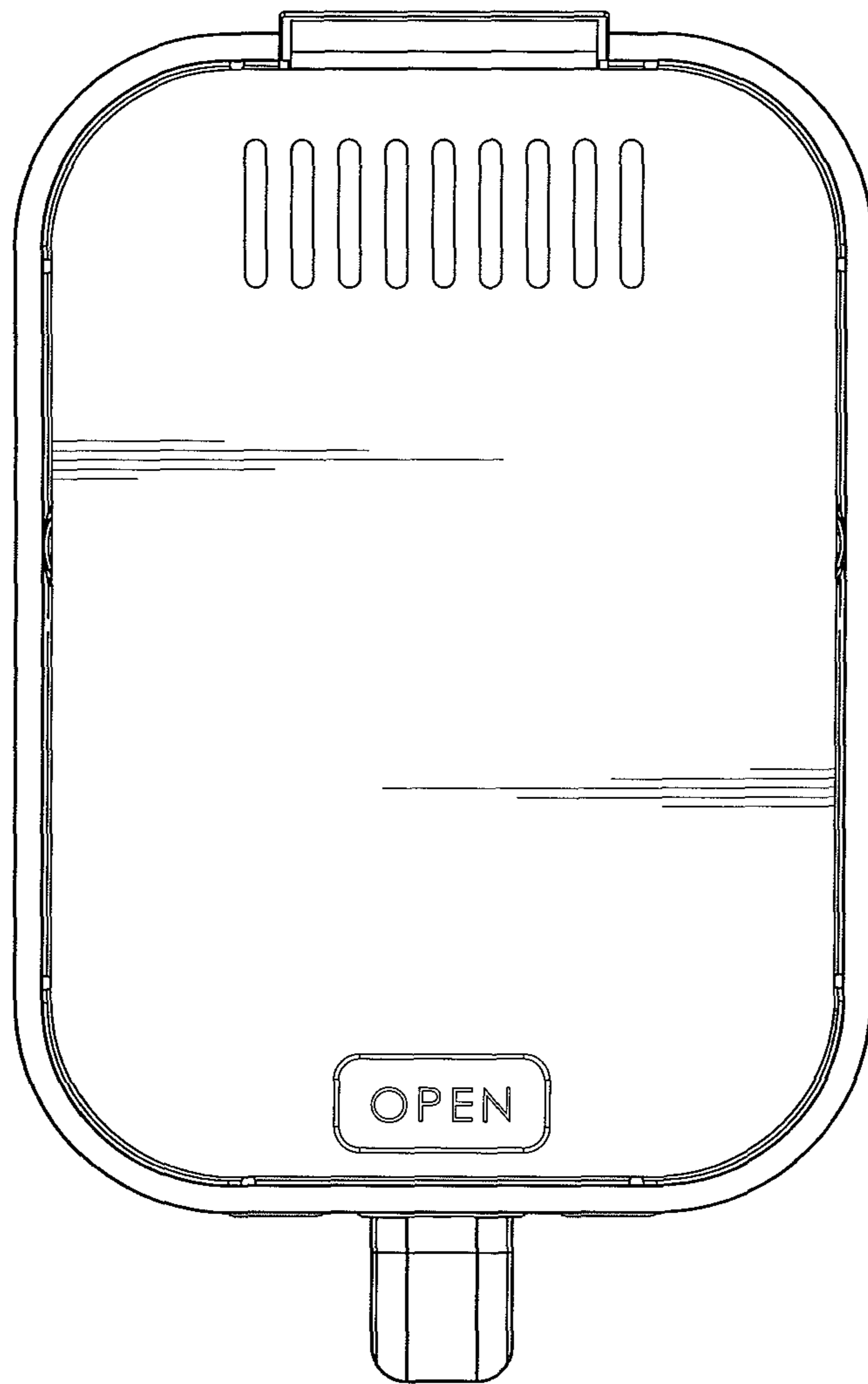


FIG. 5

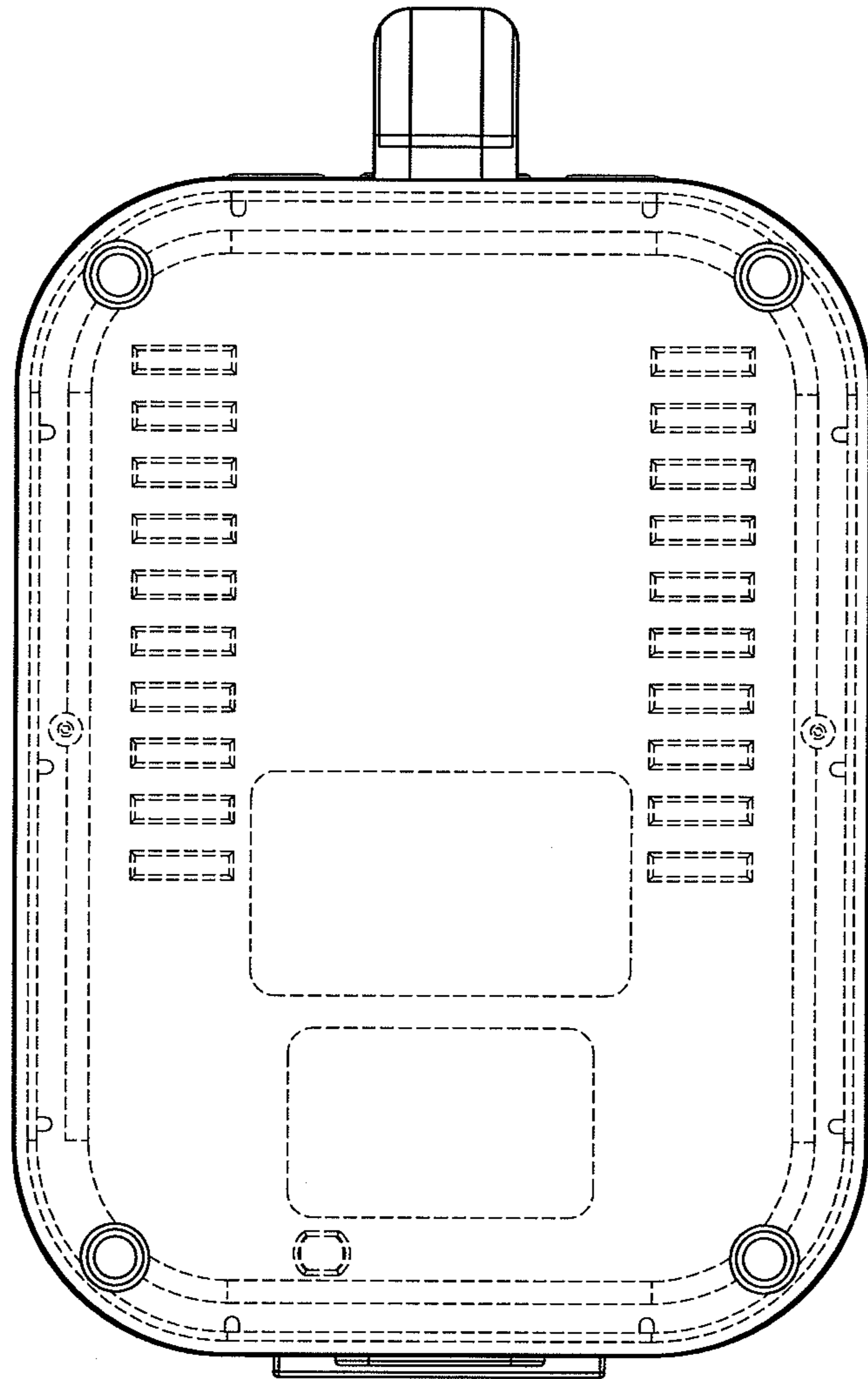


FIG. 6