



US00D726481S

(12) **United States Design Patent**
Cahen

(10) **Patent No.:** **US D726,481 S**
(45) **Date of Patent:** **** Apr. 14, 2015**

(54) **COFFEE MACHINE**

(71) Applicant: **Societe des Produits Nestle S.A., Vevey (CH)**

(72) Inventor: **Antoine Cahen, Lausanne (CH)**

(73) Assignee: **Societe des Produits Nestle S.A., Vevey (CH)**

(**) Term: **14 Years**

(21) Appl. No.: **29/476,247**

(22) Filed: **Dec. 12, 2013**

Related U.S. Application Data

(62) Division of application No. 29/423,124, filed on May 29, 2012, now Pat. No. Des. 696,888.

(51) **LOC (10) Cl.** **07-01**

(52) **U.S. Cl.**
USPC **D7/309; D7/311**

(58) **Field of Classification Search**
CPC **A47J 31/44**
USPC **D7/309-311, 300, 305; 99/279, 284, 99/290, 280, 299, 307**
See application file for complete search history.

(56) **References Cited**

U.S. PATENT DOCUMENTS

D489,214 S *	5/2004	Noda et al.	D7/309
D552,402 S *	10/2007	Schwamkrug	D7/309
D560,950 S *	2/2008	Schwamkrug	D7/309
D596,441 S *	7/2009	Cahen	D7/309
D596,442 S *	7/2009	Cahen	D7/309
D600,967 S *	9/2009	Cahen	D7/309
D602,303 S *	10/2009	Cahen	D7/309
D610,857 S *	3/2010	Pateman et al.	D7/306
D644,058 S *	8/2011	Cahen	D7/309
D649,392 S *	11/2011	Cahen	D7/307
D652,669 S *	1/2012	Bardazzi et al.	D7/309

D666,051 S *	8/2012	de Pra	D7/309
D666,451 S *	9/2012	Cheng	D7/309
D667,251 S *	9/2012	Cahen	D7/309
D667,252 S *	9/2012	Rousselin	D7/309
D674,233 S *	1/2013	Lavy et al.	D7/309
D690,150 S *	9/2013	Cahen	D7/309
D695,560 S *	12/2013	Cahen	D7/309
D696,888 S *	1/2014	Cahen	D7/309
D714,088 S *	9/2014	Cahen	D7/309
D718,972 S *	12/2014	Jorgensen	D7/309
2010/0263543 A1 *	10/2010	Krauchi et al.	99/280
2011/0041696 A1 *	2/2011	Aemisegger et al.	99/281
2011/0126717 A1 *	6/2011	Gavillet et al.	99/288
2013/0014647 A1 *	1/2013	Mori et al.	99/279

* cited by examiner

Primary Examiner — Marianne Pandozzi

(74) *Attorney, Agent, or Firm* — K&L Gates LLP

(57) **CLAIM**

The ornamental design for a coffee machine, as shown and described.

DESCRIPTION

FIG. 1 is a front perspective view of a coffee machine showing my new design;
 FIG. 2 is a rear view thereof;
 FIG. 3 is a bottom perspective view thereof;
 FIG. 4 is a front view thereof;
 FIG. 5 is a left side view thereof;
 FIG. 6 is a right side view thereof; and,
 FIG. 7 is a top perspective view thereof.
 FIG. 8 is a front perspective view of a coffee machine showing a second embodiment of my new design;
 FIG. 9 is a rear view thereof;
 FIG. 10 is a bottom perspective view thereof;
 FIG. 11 is a front view thereof;
 FIG. 12 is a left side view thereof;
 FIG. 13 is a right side view thereof; and,
 FIG. 14 is a top perspective view thereof.

1 Claim, 14 Drawing Sheets



FIG. 1

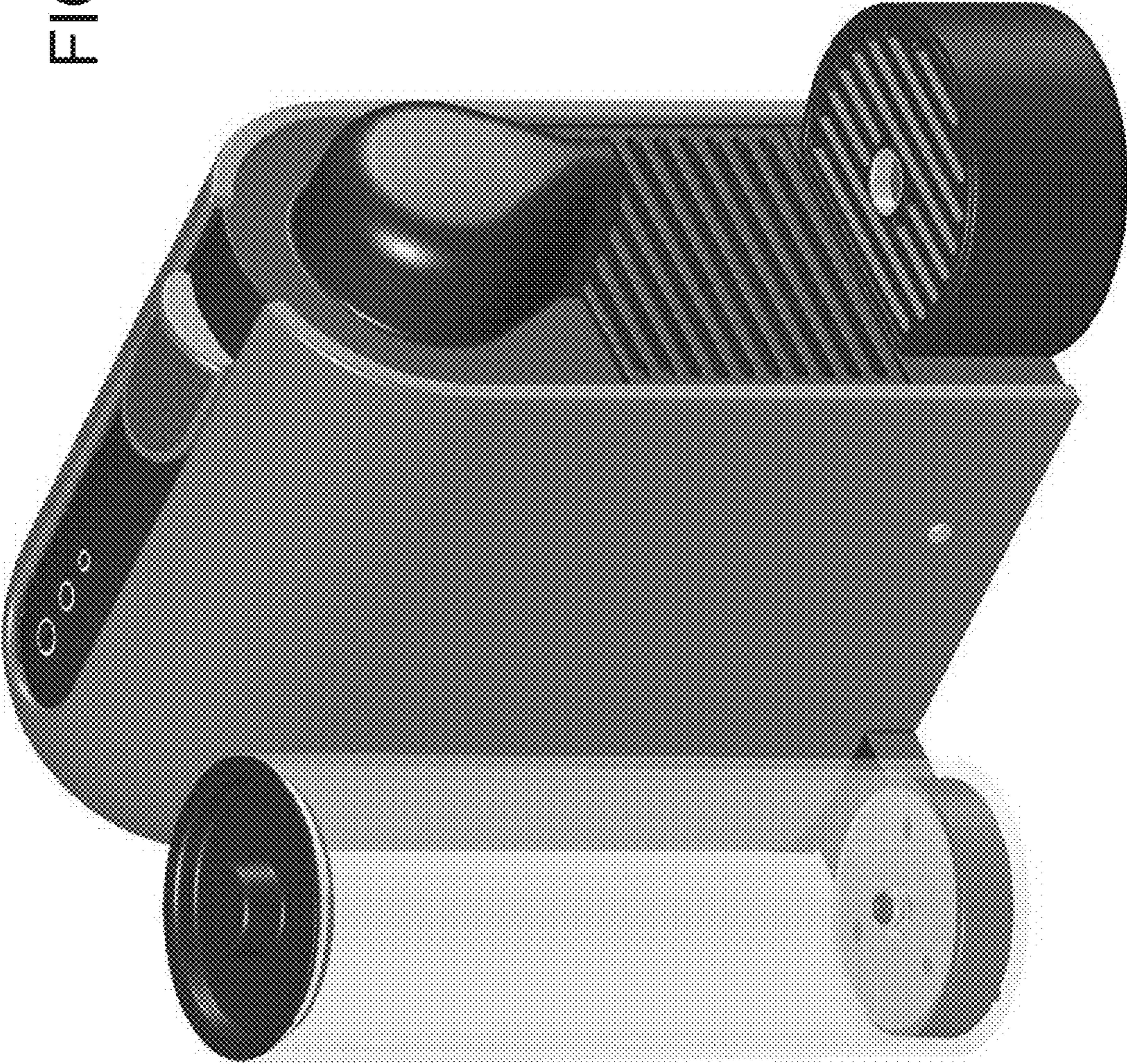


FIG. 2

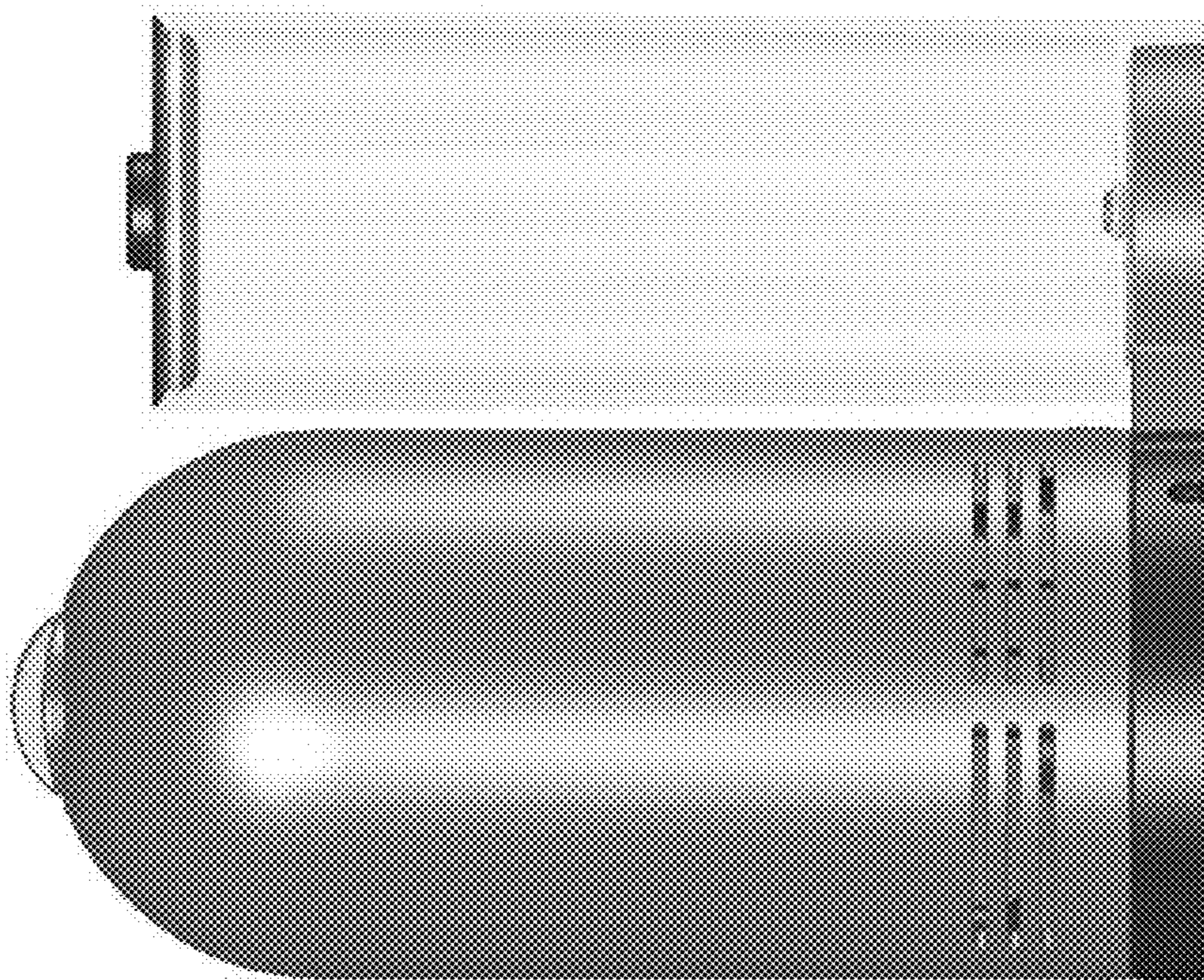
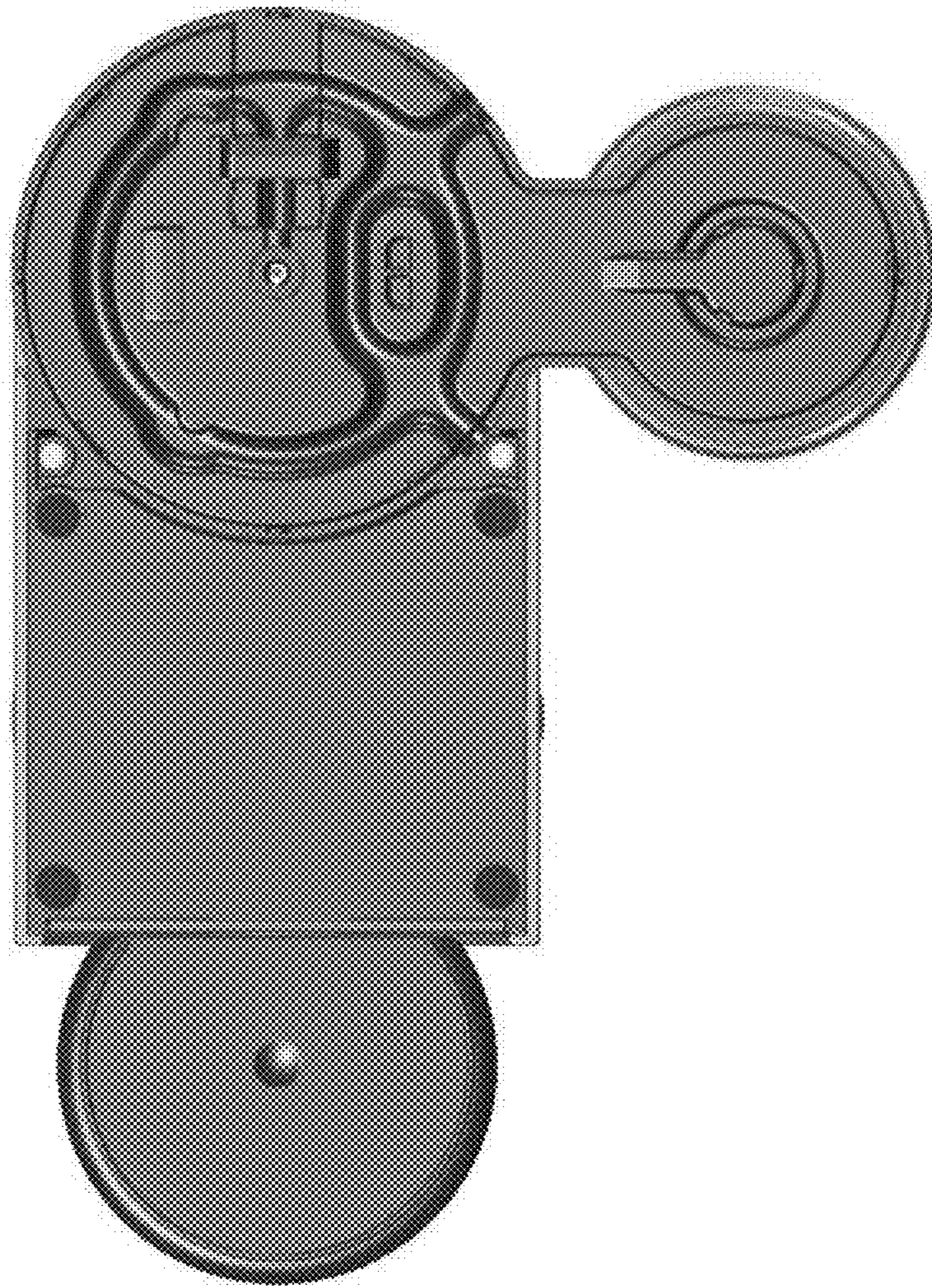


FIG. 3



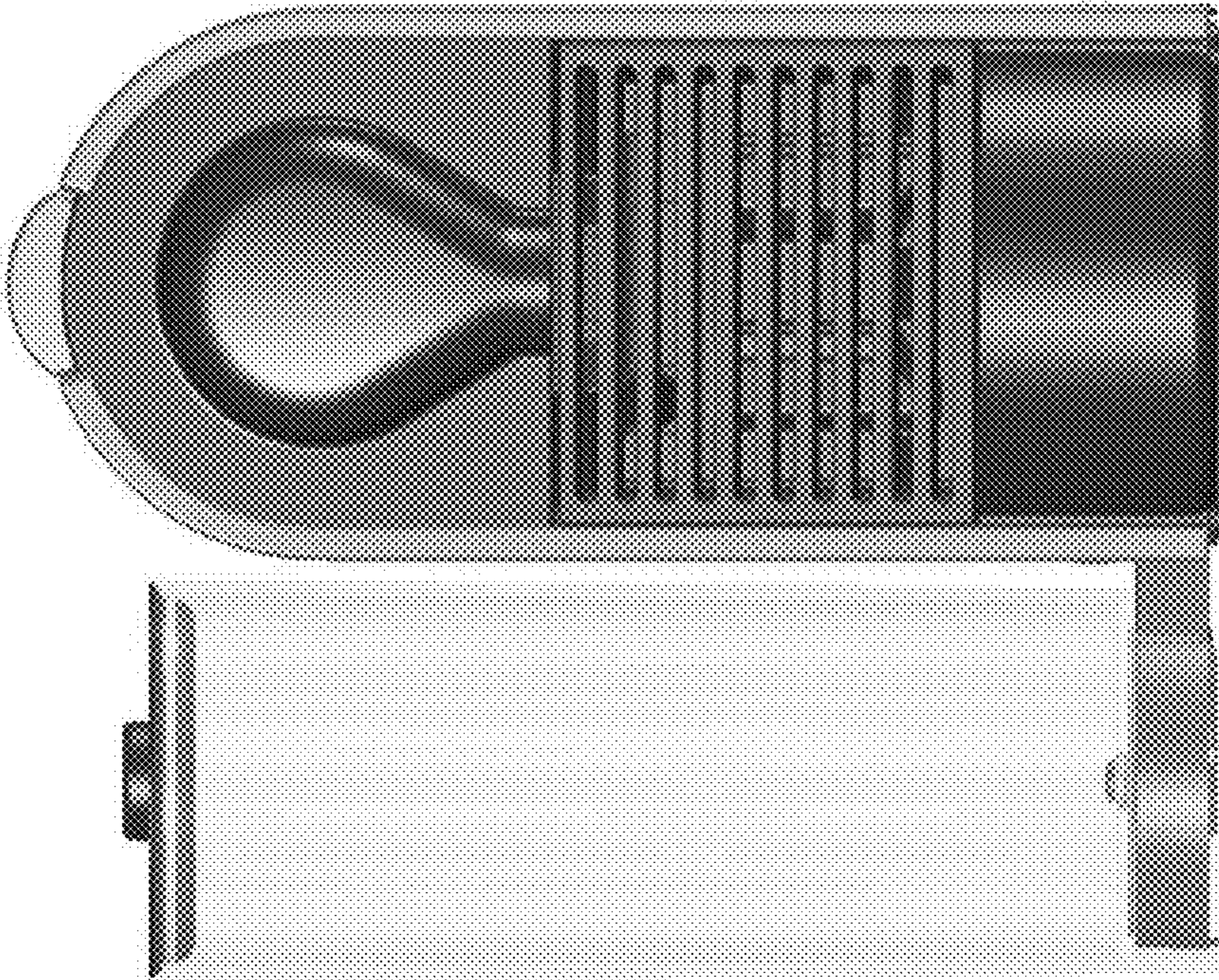


FIG. 4

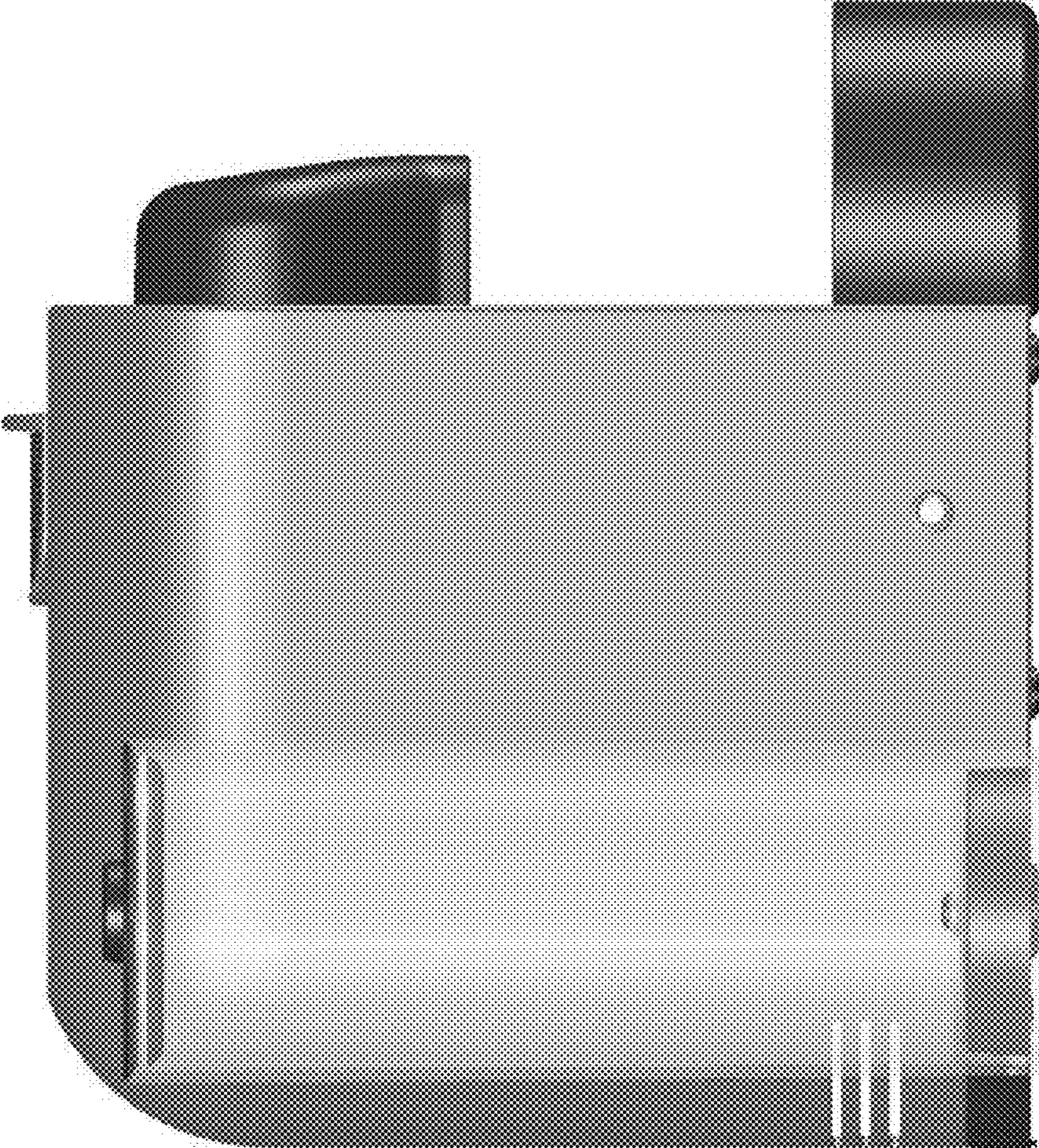


FIG. 5

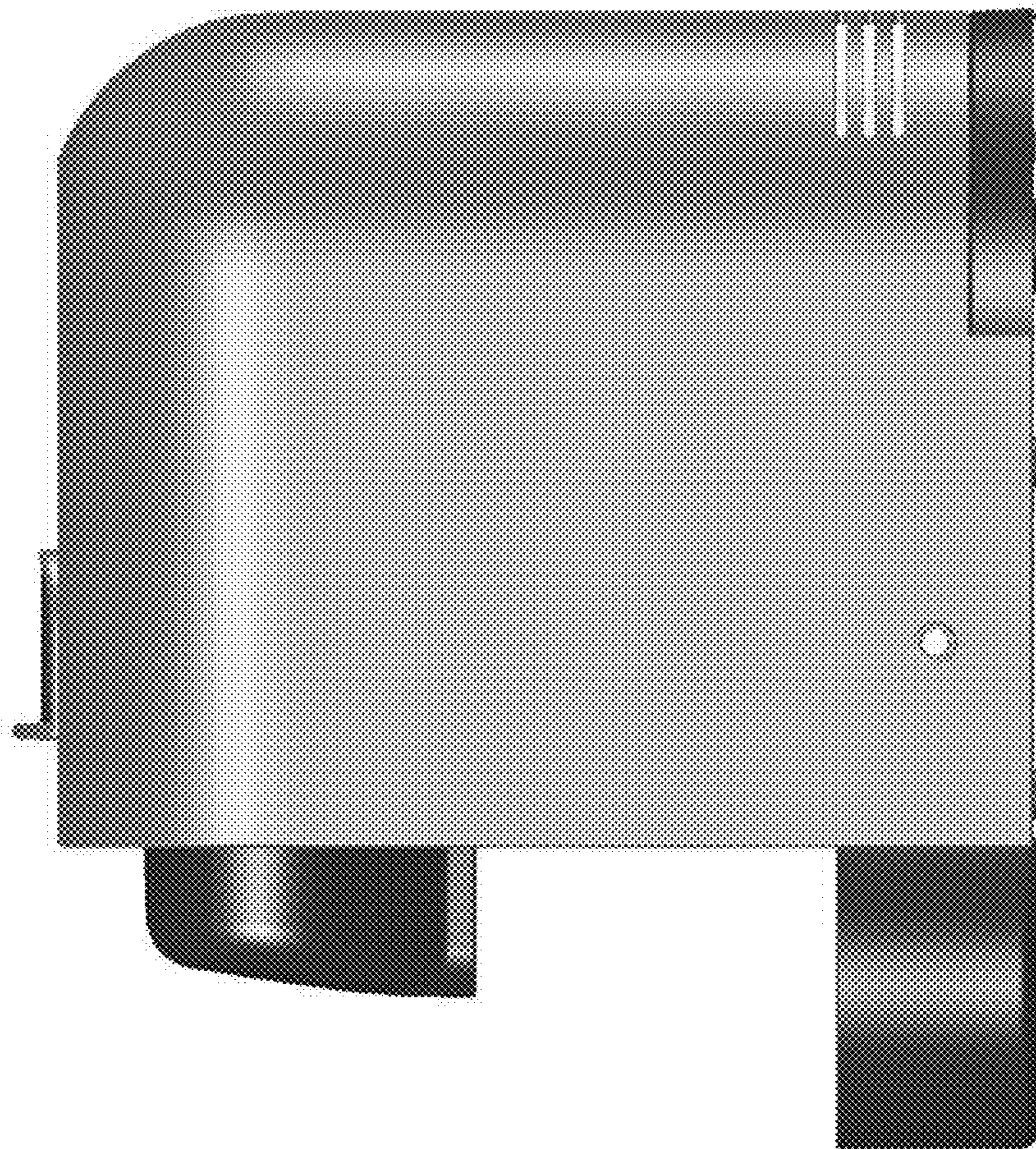


FIG. 6



FIG. 7



FIG. 8

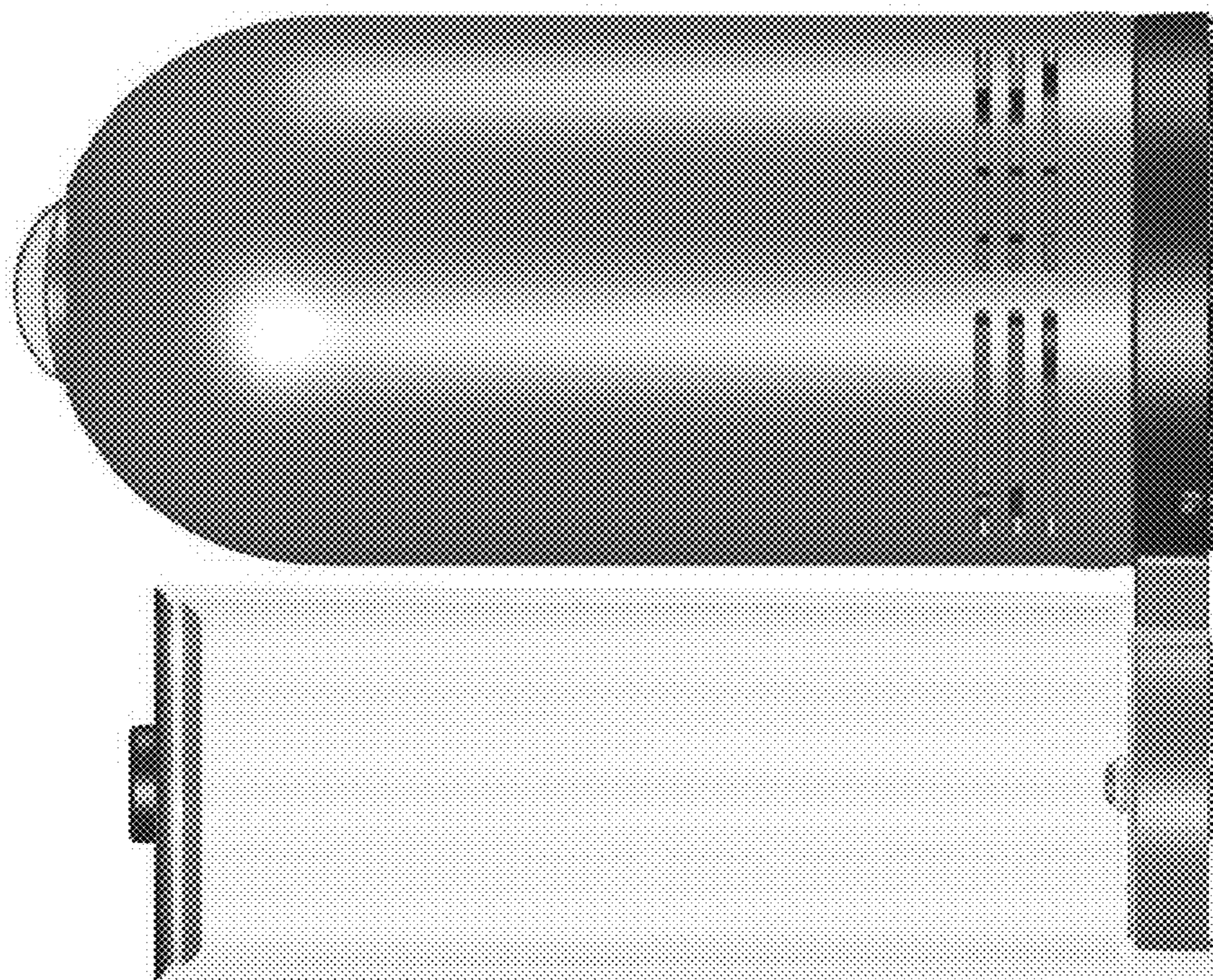
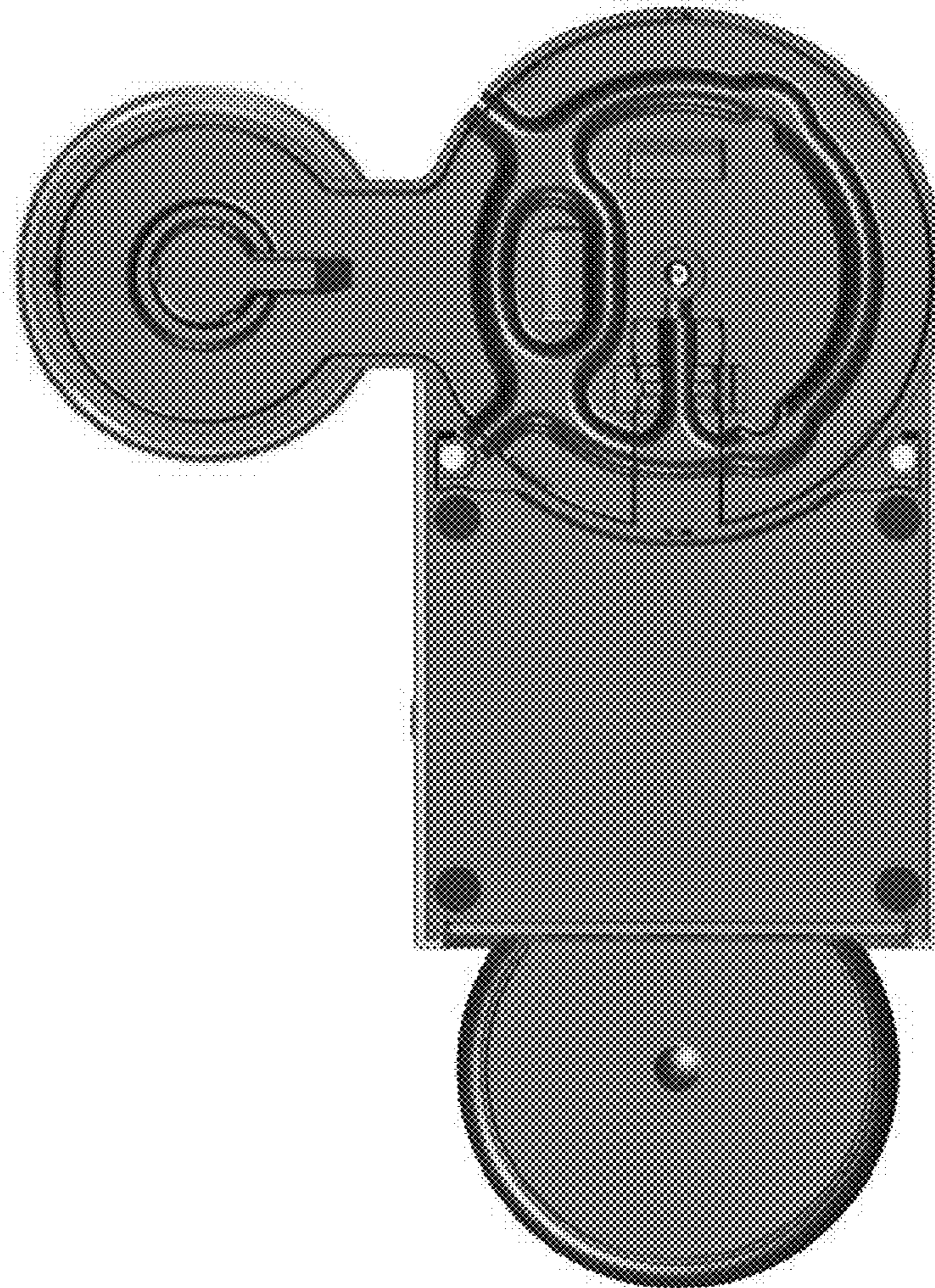


FIG. 9

FIG. 10



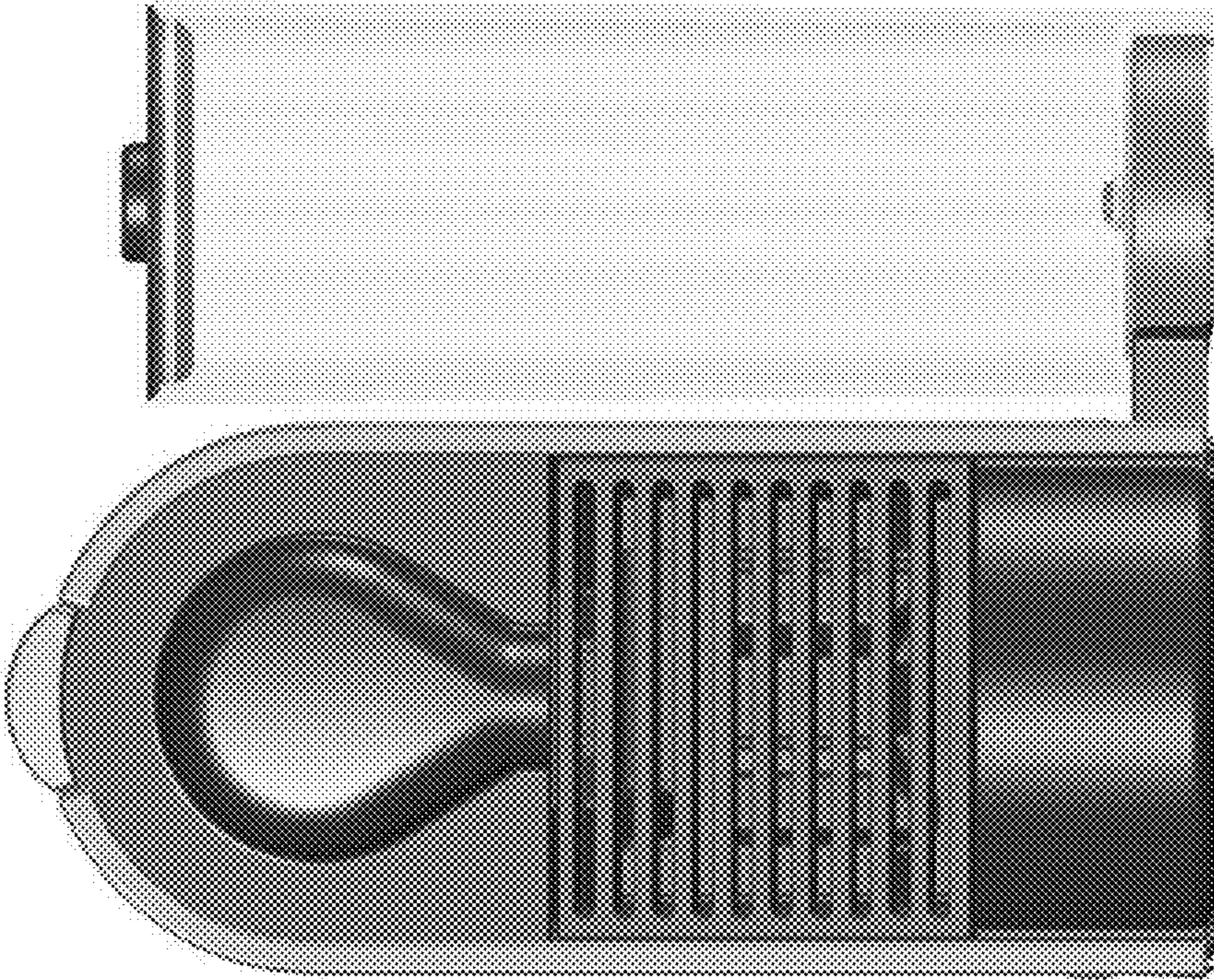
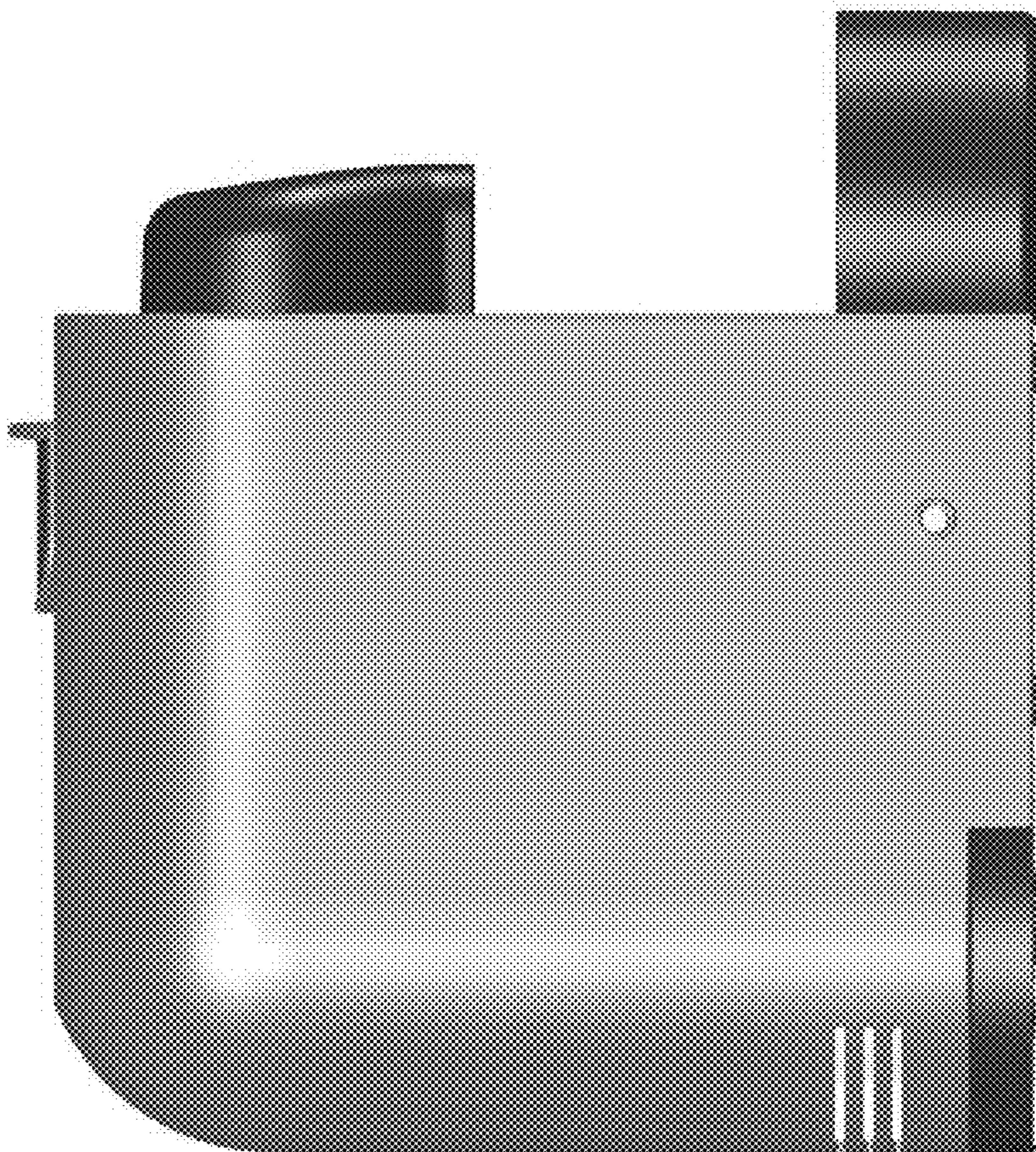


FIG. 11

FIG. 12



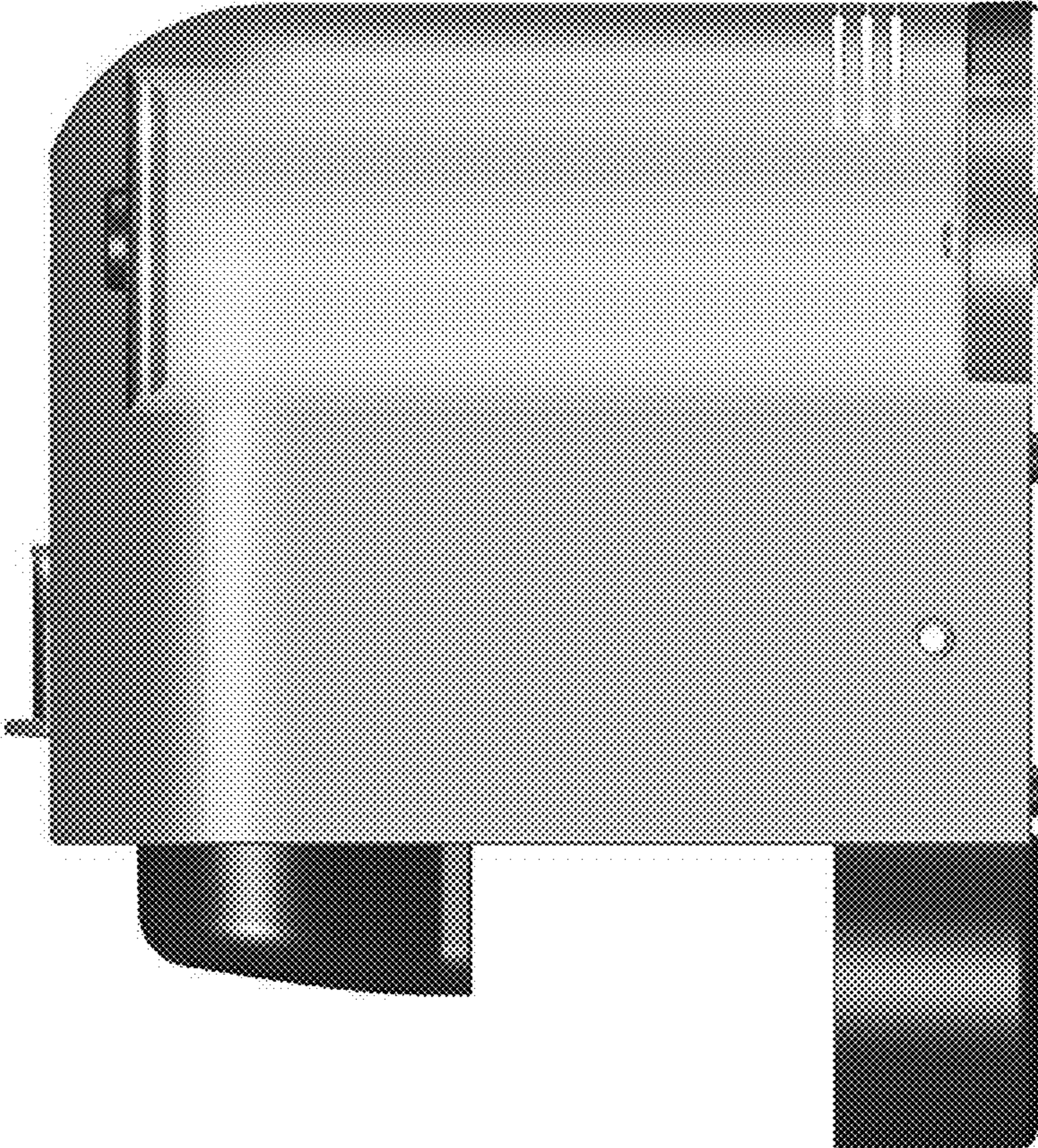


FIG. 13

FIG. 14

