



US00D726480S

(12) **United States Design Patent**
Lyll, III

(10) **Patent No.:** **US D726,480 S**

(45) **Date of Patent:** **** Apr. 14, 2015**

- (54) **SIDE-BY-SIDE TEA DISPENSER**
- (71) Applicant: **Wilbur Curtis Company**, Montebello, CA (US)
- (72) Inventor: **Lucian Hite Lyll, III**, Rancho Santa Margarita, CA (US)
- (73) Assignee: **Wilbur Curtis Company**, Montebello, CA (US)
- (**) Term: **14 Years**
- (21) Appl. No.: **29/471,958**
- (22) Filed: **Nov. 6, 2013**
- (51) **LOC (10) Cl.** **07-01**
- (52) **U.S. Cl.**
USPC **D7/307; D7/309; D7/308**
- (58) **Field of Classification Search**
CPC A47J 31/44; A47J 31/42; A23F 5/26
USPC D7/306-311, 301, 300, 326, 386, 399,
D7/397; 99/281, 305, 307; 141/247;
222/129.1, 129.3, 145.6; D24/197;
426/115
See application file for complete search history.

7,043,929	B2	*	5/2006	Wang	62/188
D563,234	S	*	3/2008	Moreno	D9/572
D601,847	S	*	10/2009	Gammack et al.	D7/306
D611,753	S	*	3/2010	Gammack et al.	D7/306
D636,214	S	*	4/2011	Parker et al.	D7/306
D652,245	S	*	1/2012	Richardson et al.	D7/307
D676,699	S	*	2/2013	Chung et al.	D7/307
D676,700	S	*	2/2013	Chung et al.	D7/307
D677,101	S	*	3/2013	Mullins	D7/306
D686,863	S	*	7/2013	Chen et al.	D7/307
D690,990	S	*	10/2013	Boggs et al.	D7/397
D710,140	S	*	8/2014	De'Longhi et al.	D7/309

* cited by examiner

Primary Examiner — Marianne Pandozzi

(74) *Attorney, Agent, or Firm* — Fulwider Patton LLP

(57) **CLAIM**

The ornamental design for a side-by-side tea dispenser, as shown and described.

DESCRIPTION

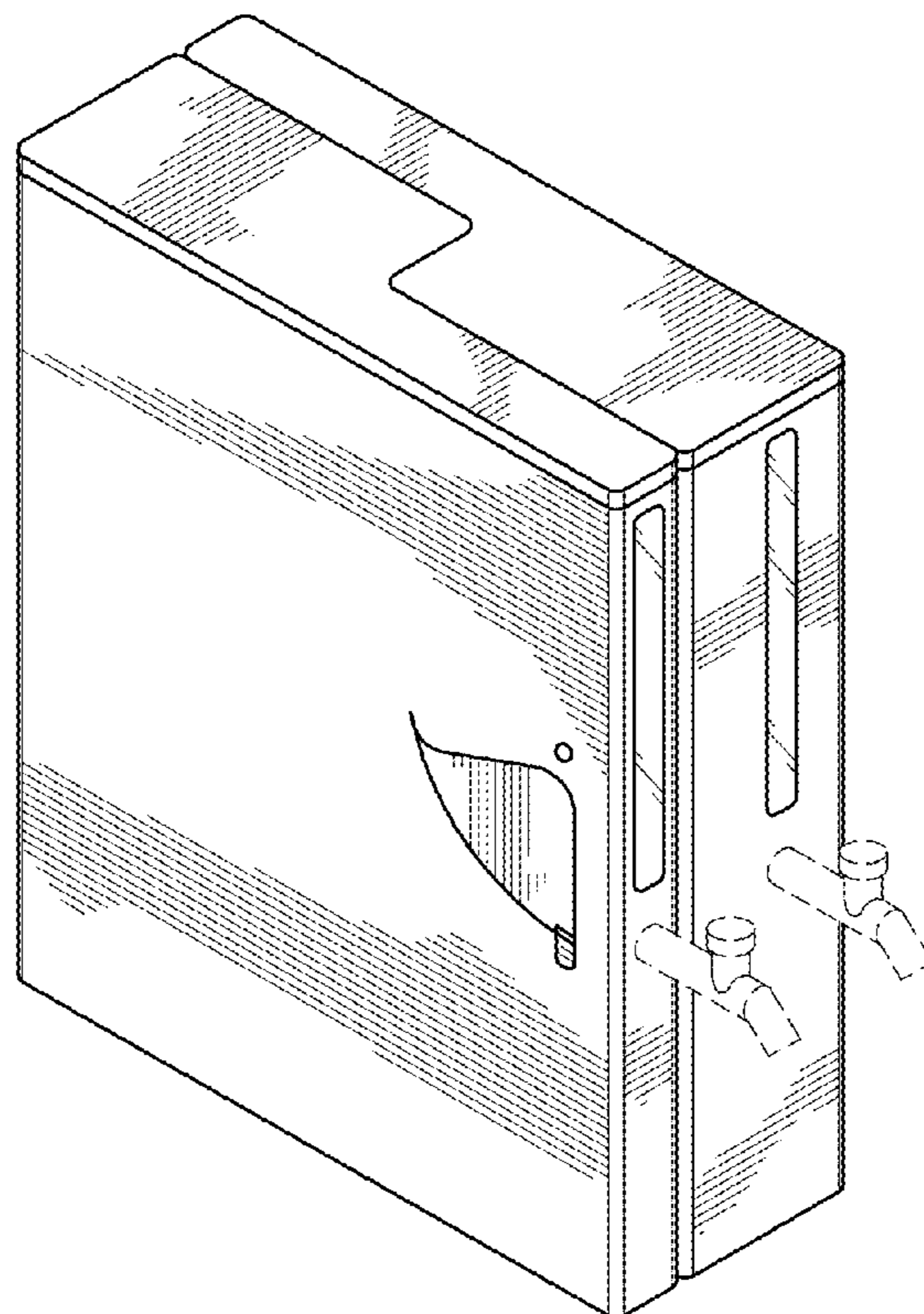
FIG. 1 is a top front perspective view of a side-by-side tea dispenser showing my new design;
 FIG. 2 is a top rear perspective view thereof;
 FIG. 3 is a right side view thereof;
 FIG. 4 is a left side view thereof;
 FIG. 5 is a front view thereof;
 FIG. 6 is a rear view thereof;
 FIG. 7 is a top plan view thereof; and,
 FIG. 8 is a bottom plan view thereof.

1 Claim, 5 Drawing Sheets

(56) **References Cited**

U.S. PATENT DOCUMENTS

D298,434	S	*	11/1988	Makihara	D15/80
D310,003	S	*	8/1990	King	D7/309



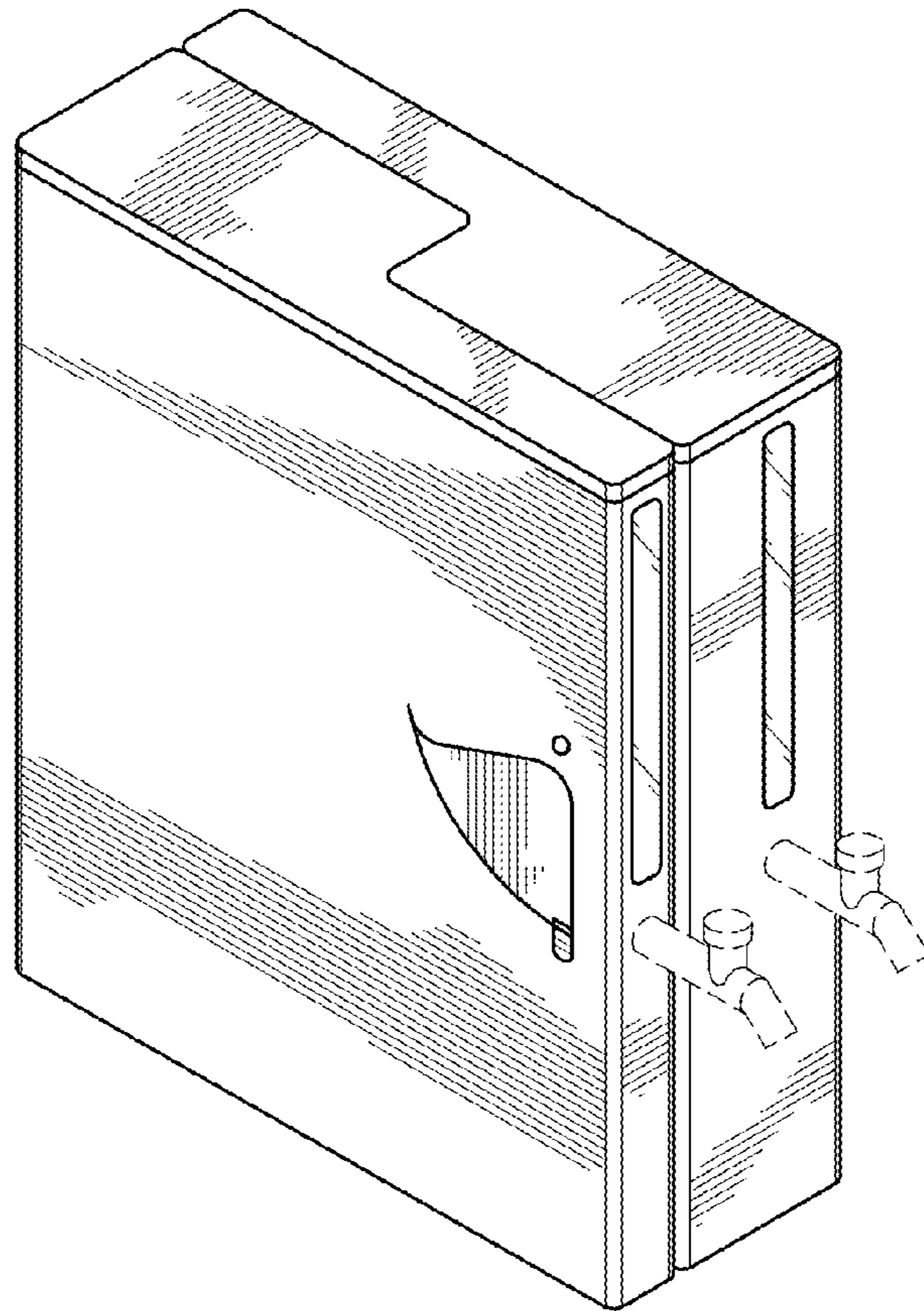


FIG. 1

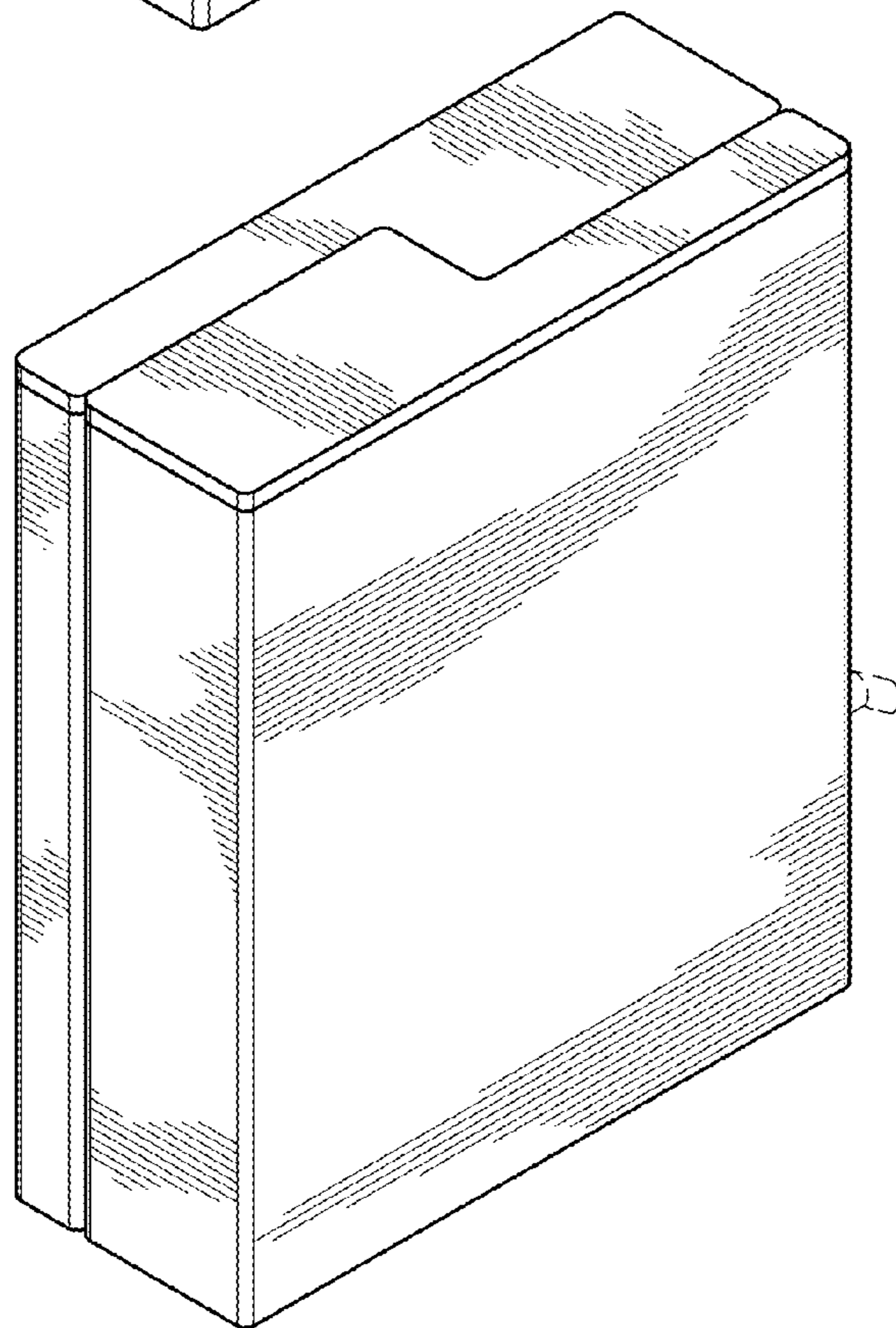


FIG. 2

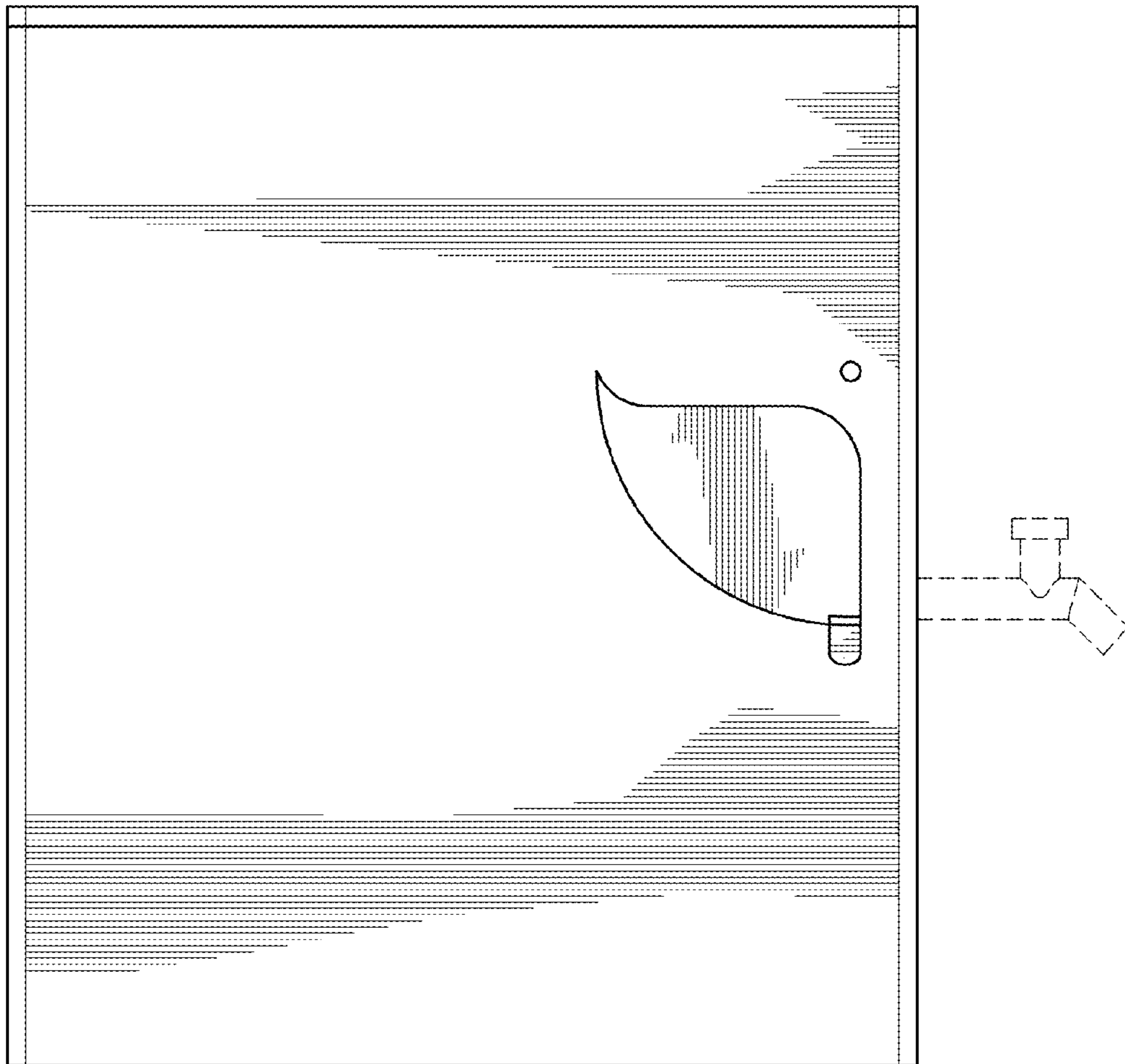


FIG. 3

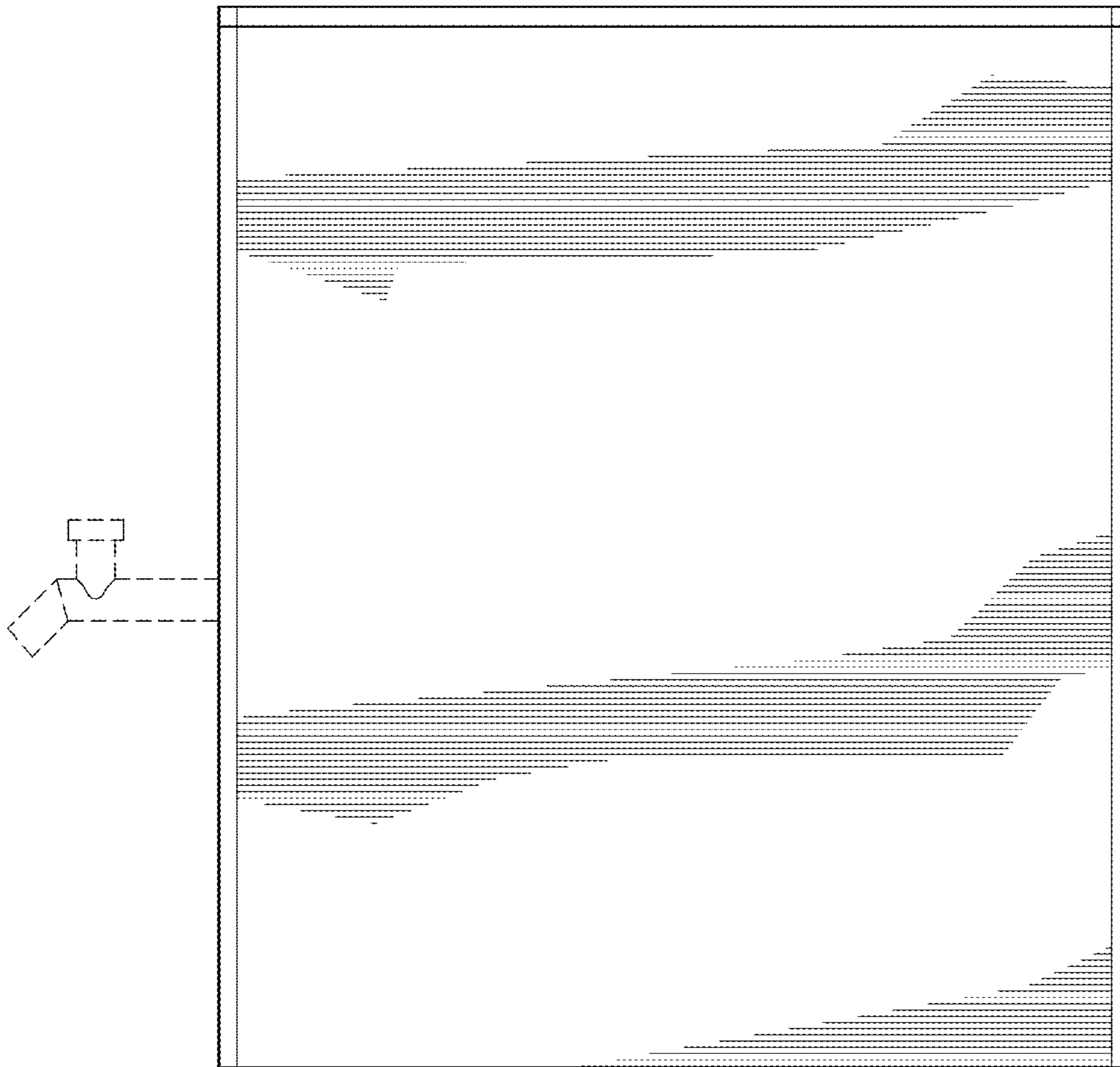


FIG. 4

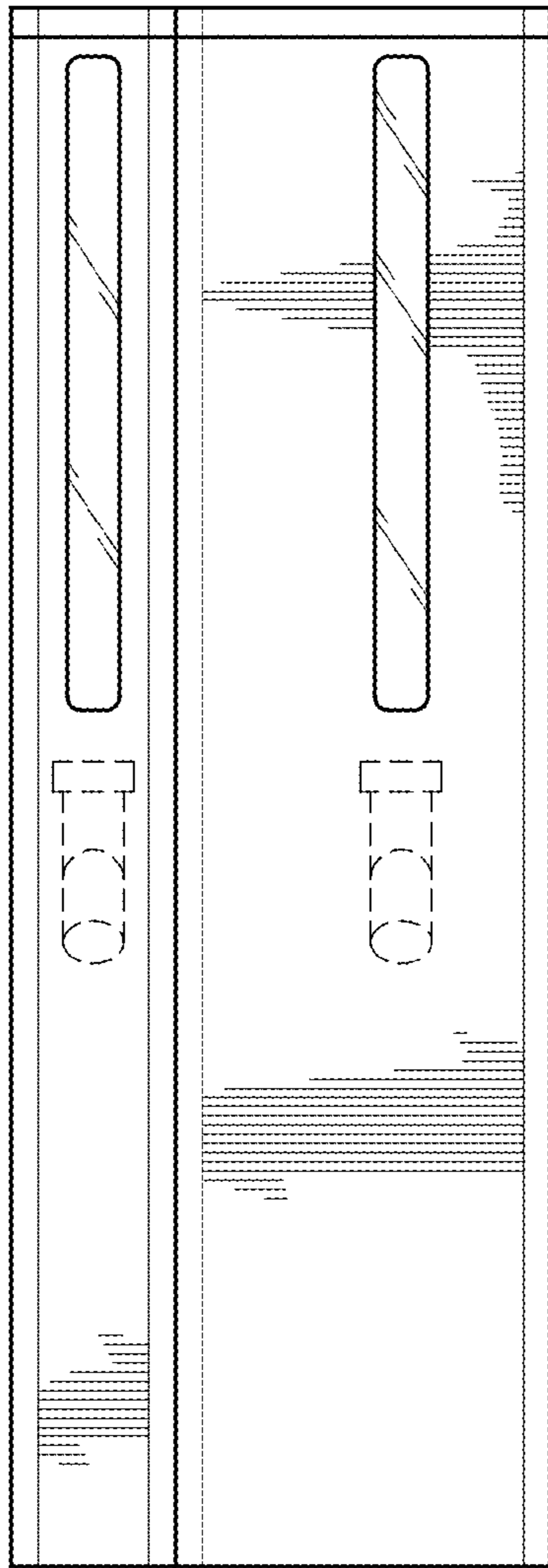


FIG. 5

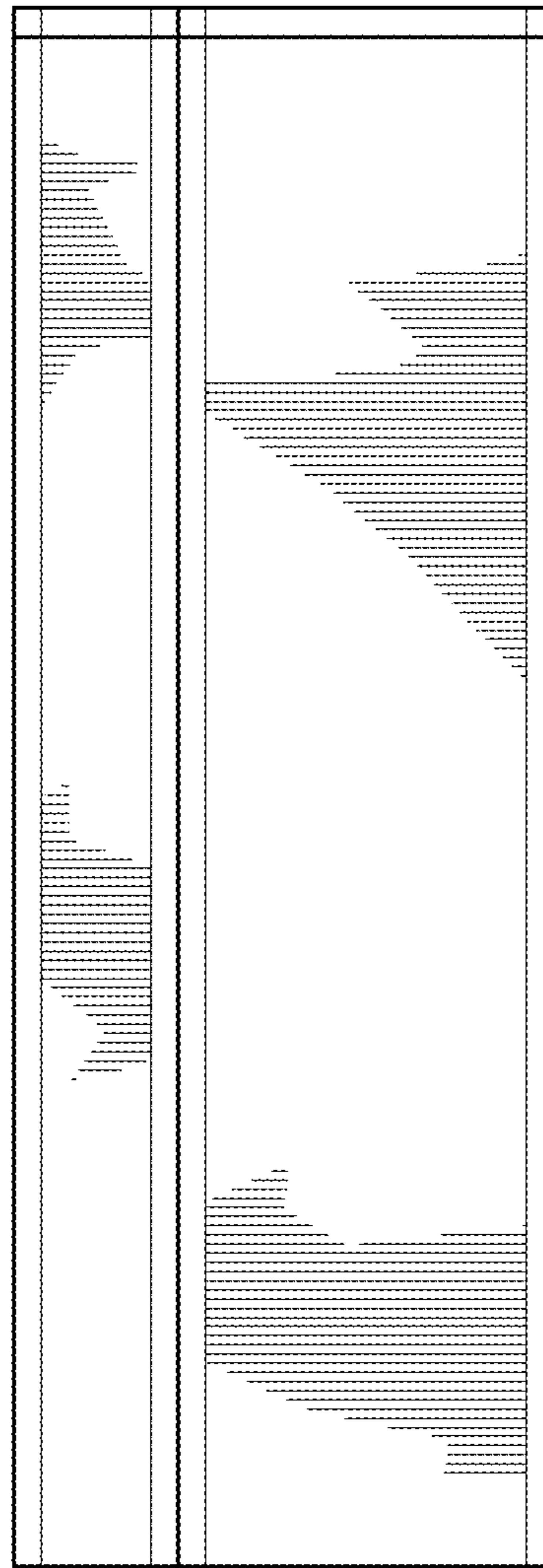


FIG. 6

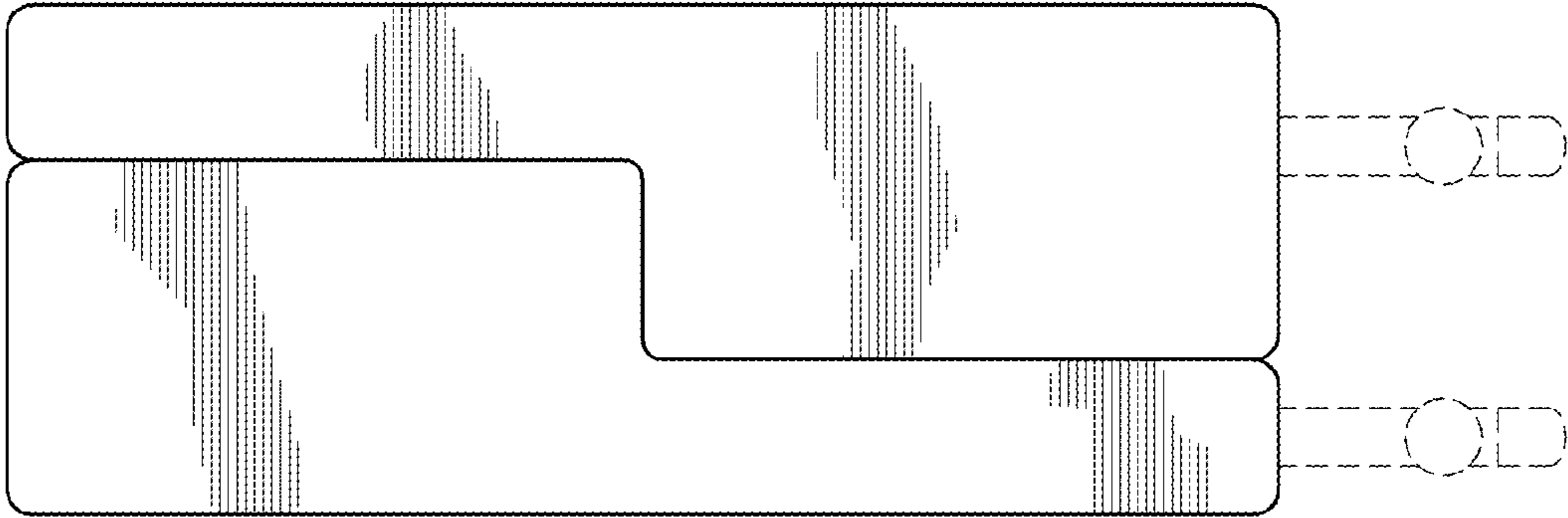


FIG. 7

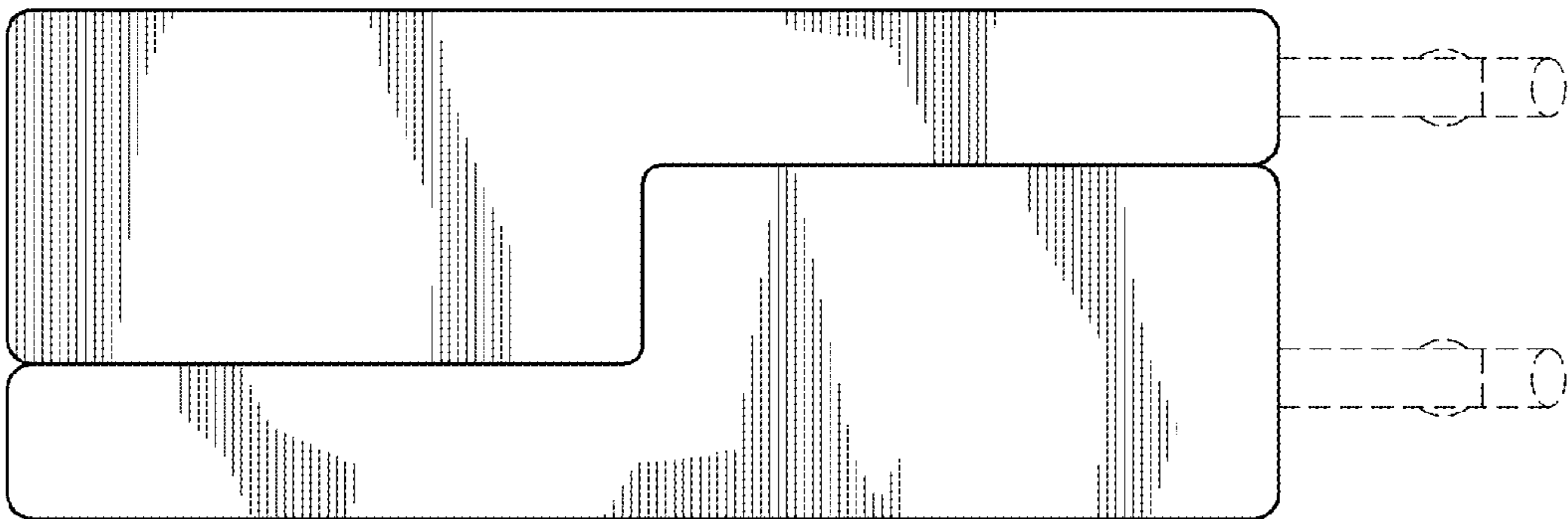


FIG. 8