

US00D726476S

(12) **United States Design Patent**  
**Ercanbrack**

(10) **Patent No.:** **US D726,476 S**  
(45) **Date of Patent:** **\*\* Apr. 14, 2015**

(54) **BOTTLE**

(71) Applicant: **ICON Health & Fitness, Inc.**, Logan, UT (US)

(72) Inventor: **Gaylen Ercanbrack**, Logan, UT (US)

(73) Assignee: **ICON Health & Fitness, Inc.**, Logan, UT (US)

(\*\*) Term: **14 Years**

(21) Appl. No.: **29/468,011**

(22) Filed: **Sep. 25, 2013**

(51) **LOC (10) Cl.** ..... **07-01**

(52) **U.S. Cl.**  
USPC ..... **D7/300.1; D7/510; D7/511; D9/523**

(58) **Field of Classification Search**

CPC ..... A47G 2019/2238; A47G 19/2216;  
A47G 19/22; A47G 19/2211; B65D 1/0223;  
B65D 3/08; B65D 81/32; B65D 1/02; B65D  
90/00; B65D 1/04; B65D 25/08; B65D 43/02;  
B65D 51/18; B65G 45/16  
USPC ..... D7/509-520, 523, 524, 525, 532, 533,  
D7/534, 535, 536, 538, 560, 584, 300.2,  
D7/304, 305, 600, 619.1, 326, 393, 396.1,  
D7/396.2, 417, 900, 650, 300, 300.1, 705,  
D7/387, 400, 213, 589, 624.2; D9/739,  
D9/501-507, 516, 517, 518, 519, 522, 523,  
D9/525, 526, 529, 530-542, 454, 547, 549,  
D9/554, 559, 571, 572, 435, 436, 440, 442,  
D9/443, 445, 651, 905; D24/197, 121,  
D24/199, 224; 220/713, 715, 703, 254.9,  
220/262, 630, 710, 705; 206/216, 217

See application file for complete search history.

(56) **References Cited**

U.S. PATENT DOCUMENTS

D328,492 S *	8/1992	Mathis .....	D24/121
D345,073 S *	3/1994	Carlson .....	D7/300.1
D374,147 S *	10/1996	Lillelund et al. ....	D7/300.1
D376,954 S *	12/1996	Burns et al. ....	D7/560
D417,583 S *	12/1999	Demore .....	D7/392.1
D494,279 S *	8/2004	Cogan et al. ....	D24/224
D510,235 S *	10/2005	Sorensen .....	D7/510
D546,626 S *	7/2007	Chou .....	D7/523
D574,488 S *	8/2008	Chauvin .....	D24/121
D589,348 S *	3/2009	Miller et al. ....	D9/447
D628,483 S *	12/2010	McKinney et al. ....	D9/449
D632,133 S *	2/2011	Giraud et al. ....	D7/510
D644,065 S *	8/2011	Llerena .....	D7/510
D655,131 S *	3/2012	Nilsson .....	D7/392.1
D656,357 S *	3/2012	Enghard .....	D7/300.1
D666,047 S *	8/2012	Lin .....	D7/300.1
D674,663 S *	1/2013	Cahen .....	D7/510
D675,099 S *	1/2013	Luciano et al. ....	D9/503
D677,121 S *	3/2013	Meyers et al. ....	D7/510
D682,612 S *	5/2013	Rzepecki .....	D7/392.1
D683,575 S *	6/2013	Devlin .....	D7/300.1
D690,826 S *	10/2013	Kuroda et al. ....	D24/224
D692,276 S *	10/2013	Cetera et al. ....	D7/510
D697,798 S *	1/2014	Sorensen et al. ....	D9/429

(Continued)

*Primary Examiner* — Marianne Pandozzi

*Assistant Examiner* — Jae Liang

(74) *Attorney, Agent, or Firm* — Richard K. C. Chang, II

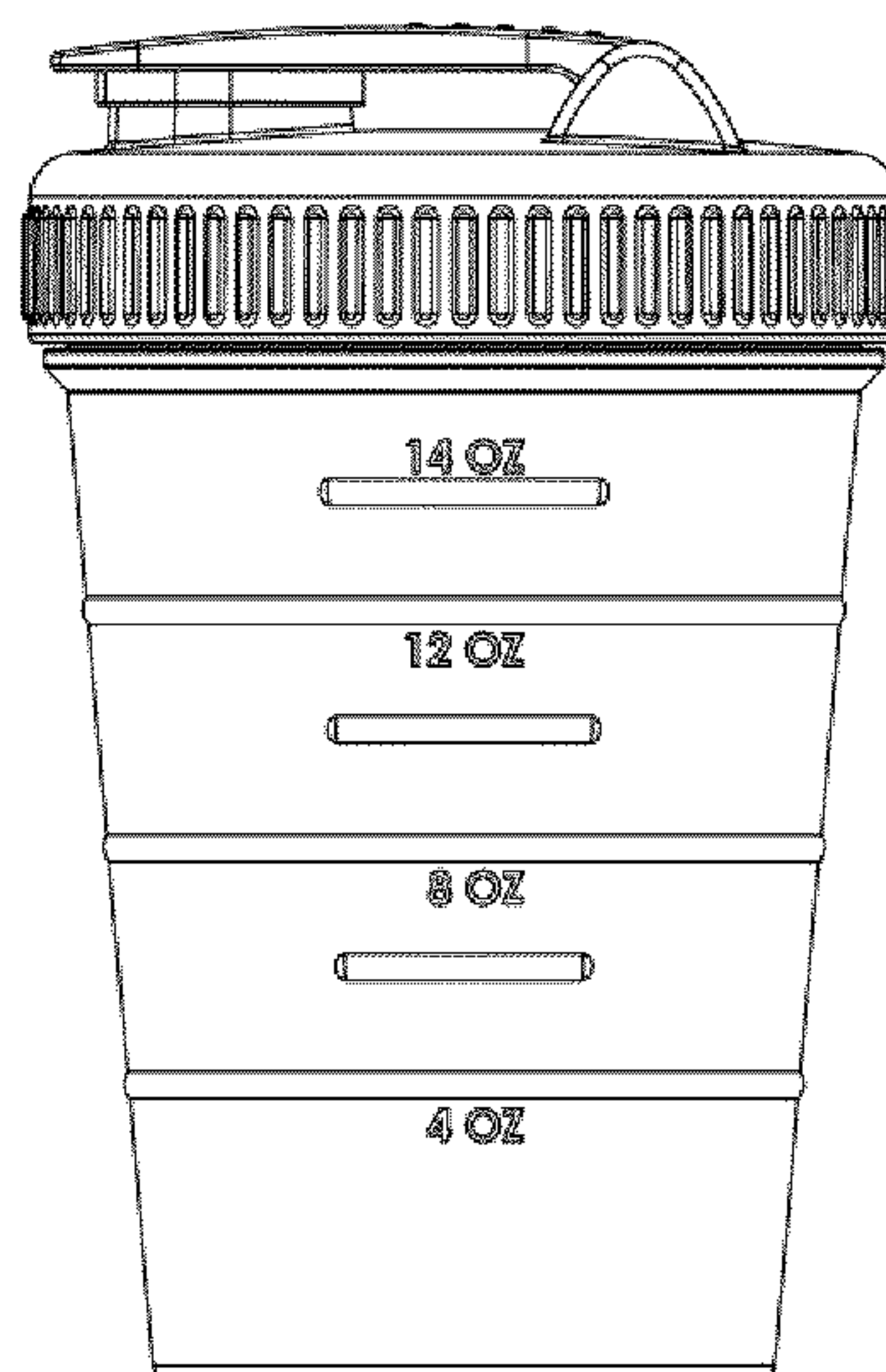
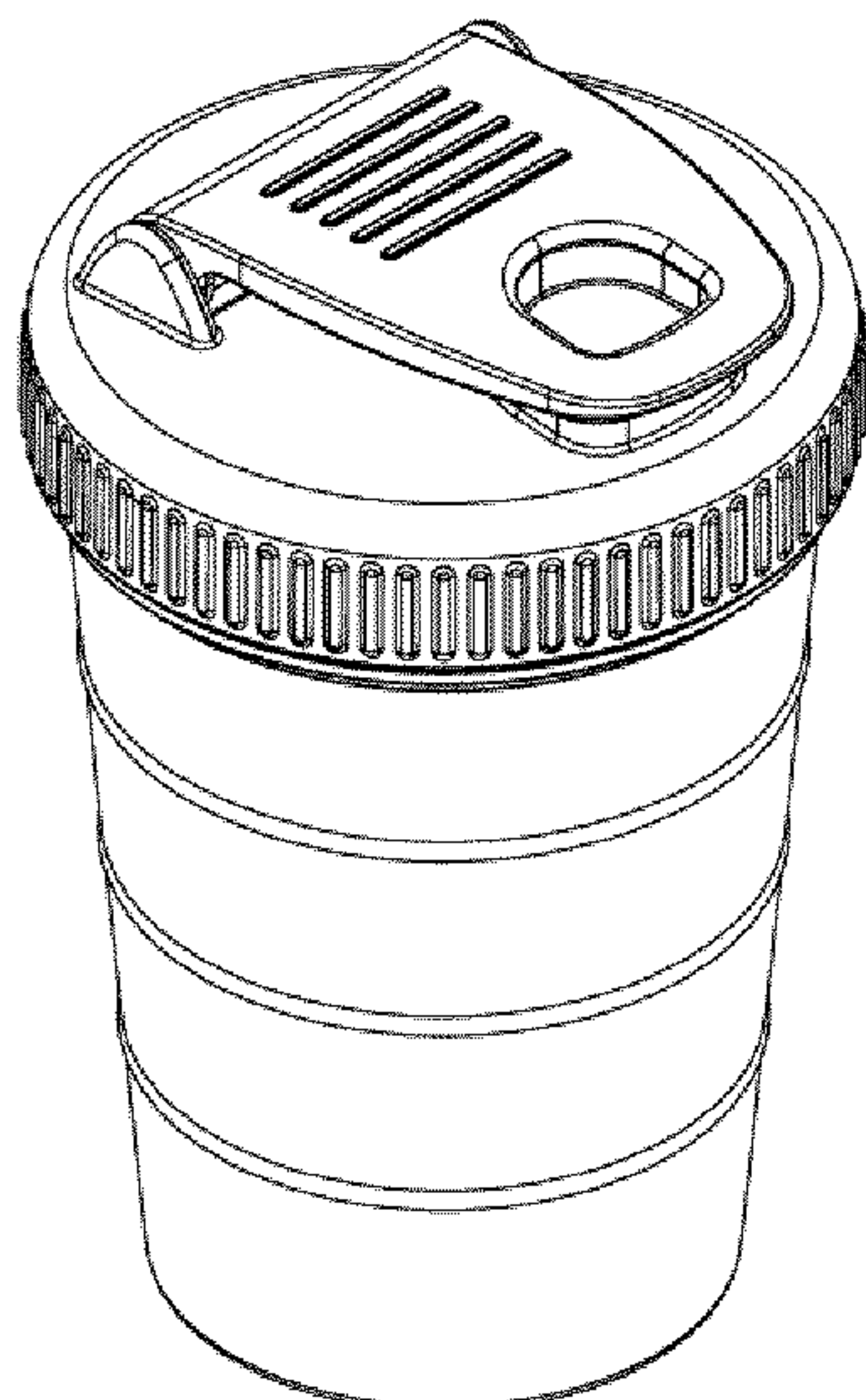
(57) **CLAIM**

The ornamental design for a bottle, as shown and described.

**DESCRIPTION**

FIG. 1 is a perspective view of a bottle;  
FIG. 2 is a top view thereof;  
FIG. 3 is a front view thereof;  
FIG. 4 is a left side view thereof;  
FIG. 5 is a rear view thereof;  
FIG. 6 is a right side view thereof; and,  
FIG. 7 is a bottom view thereof.

**1 Claim, 7 Drawing Sheets**



# US D726,476 S

Page 2

---

(56)

## References Cited

### U.S. PATENT DOCUMENTS

D699,996 S \* 2/2014 De Leo ..... D7/300.1  
8,695,830 B2 \* 4/2014 Meyers et al. .... 220/254.3  
D704,510 S \* 5/2014 Mason et al. .... D7/510

D707,555 S \* 6/2014 Vogel et al. .... D9/436  
2006/0011639 A1 \* 1/2006 Heilos ..... 220/717  
2012/0152781 A1 \* 6/2012 Tussy ..... 206/459.1

\* cited by examiner



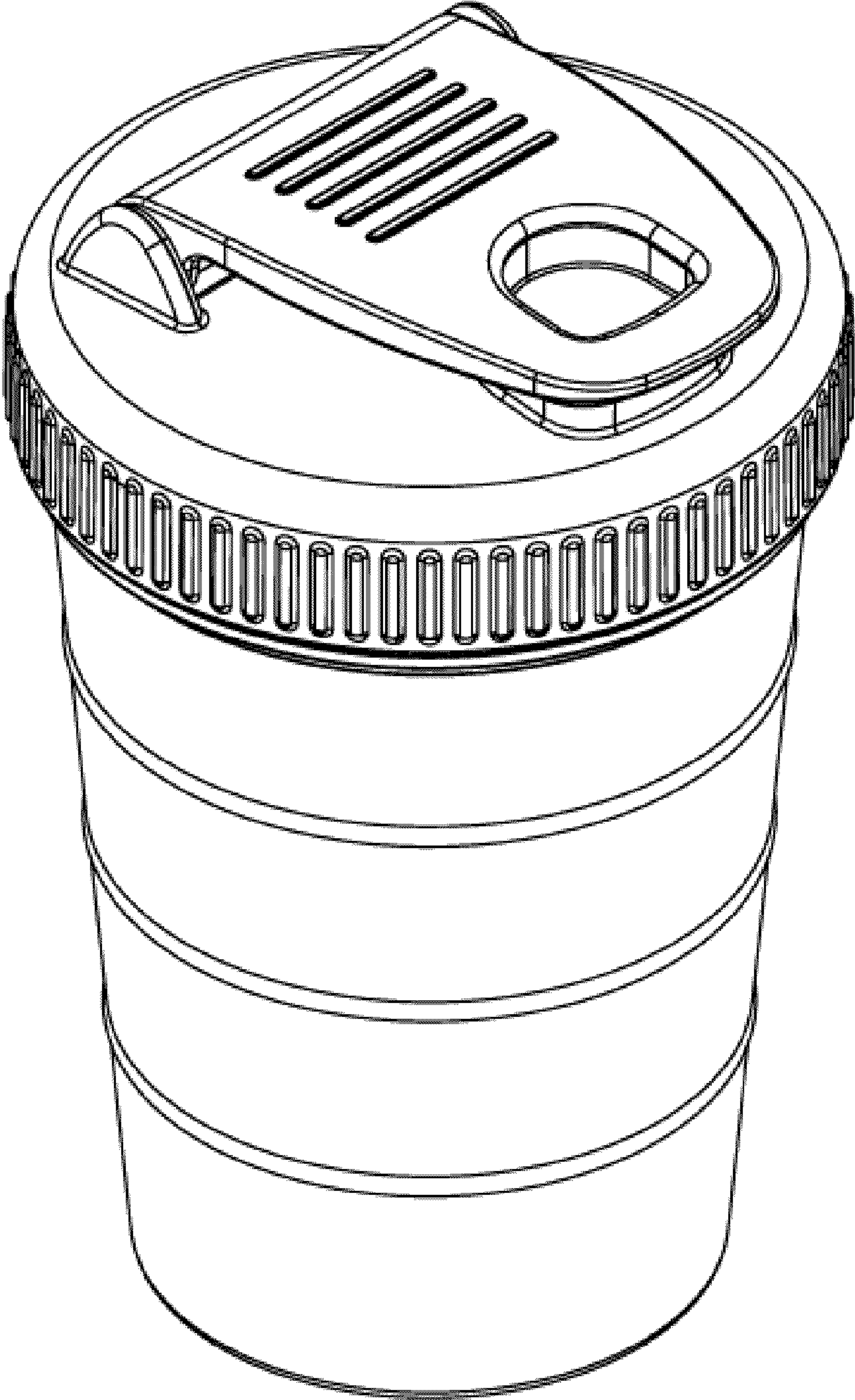


FIG 1

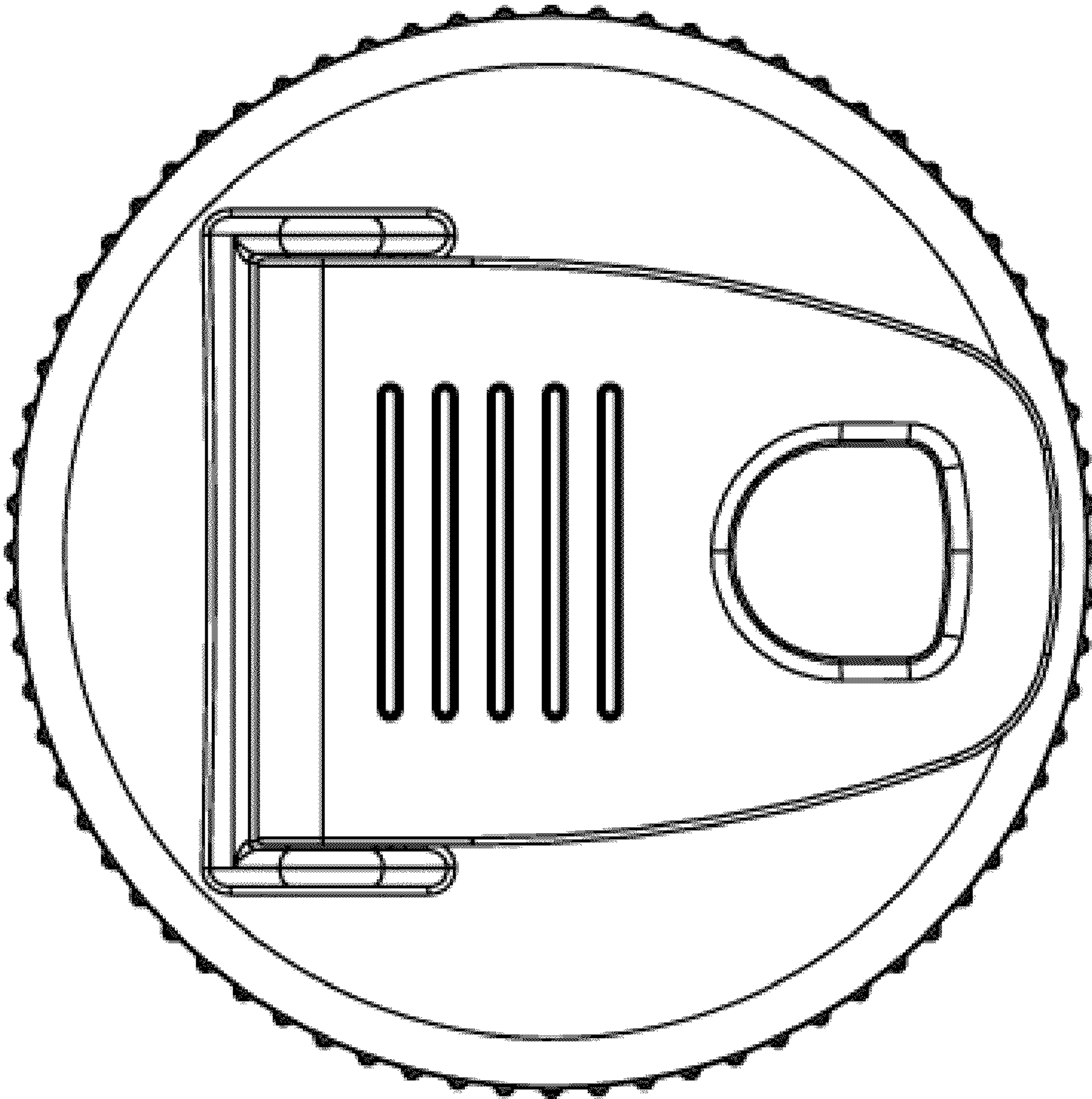


FIG 2



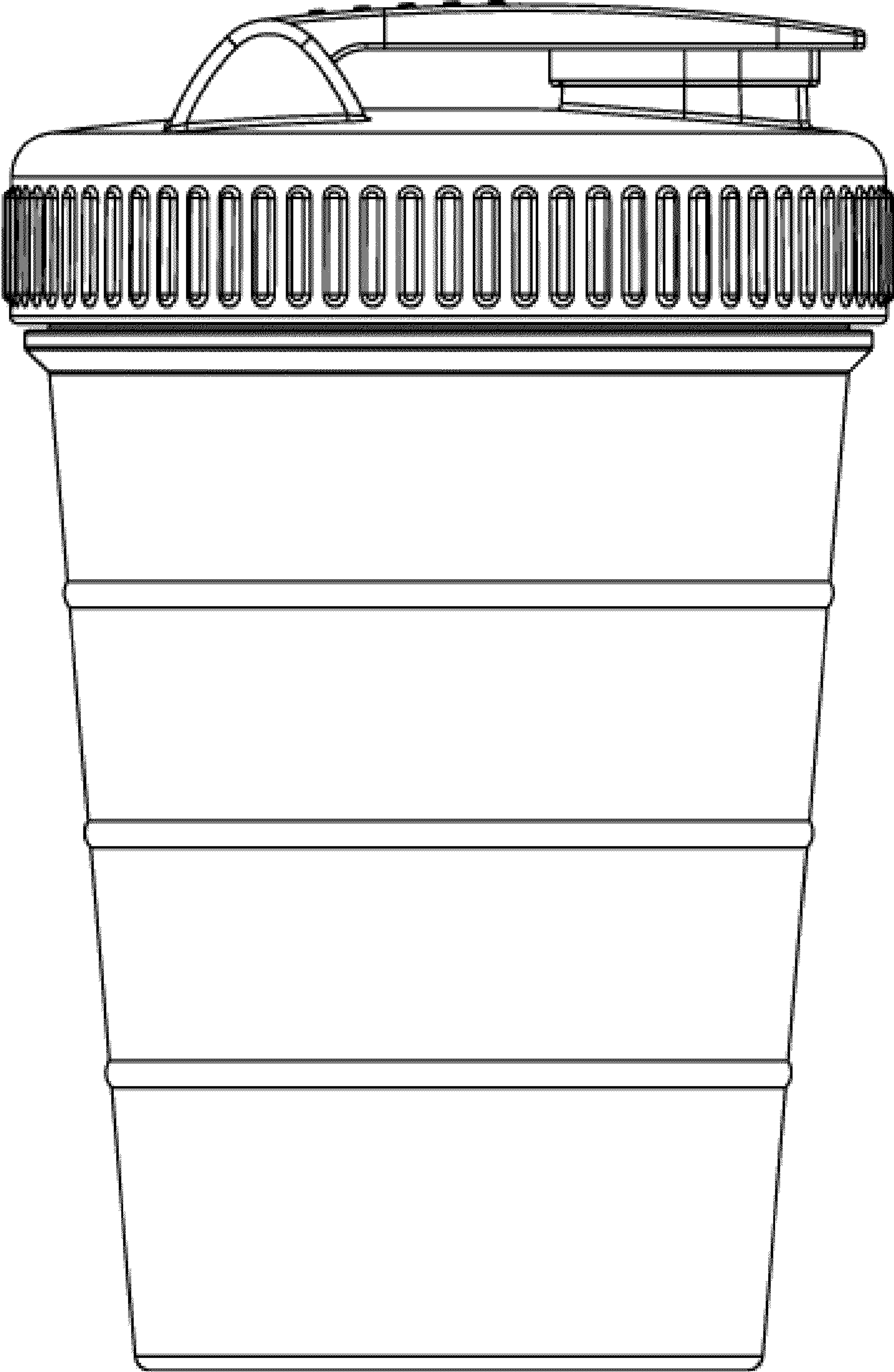


FIG 3

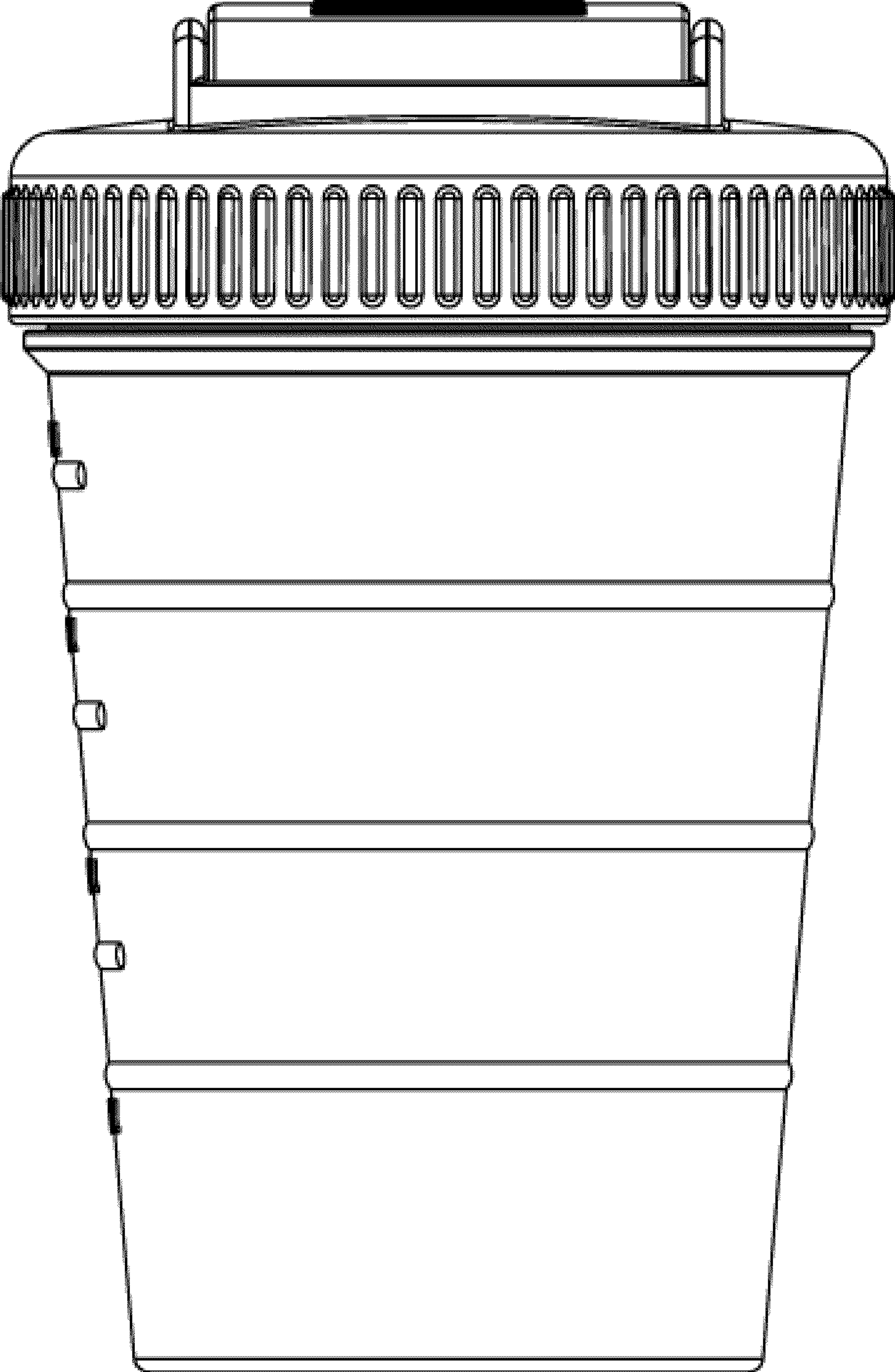


FIG 4



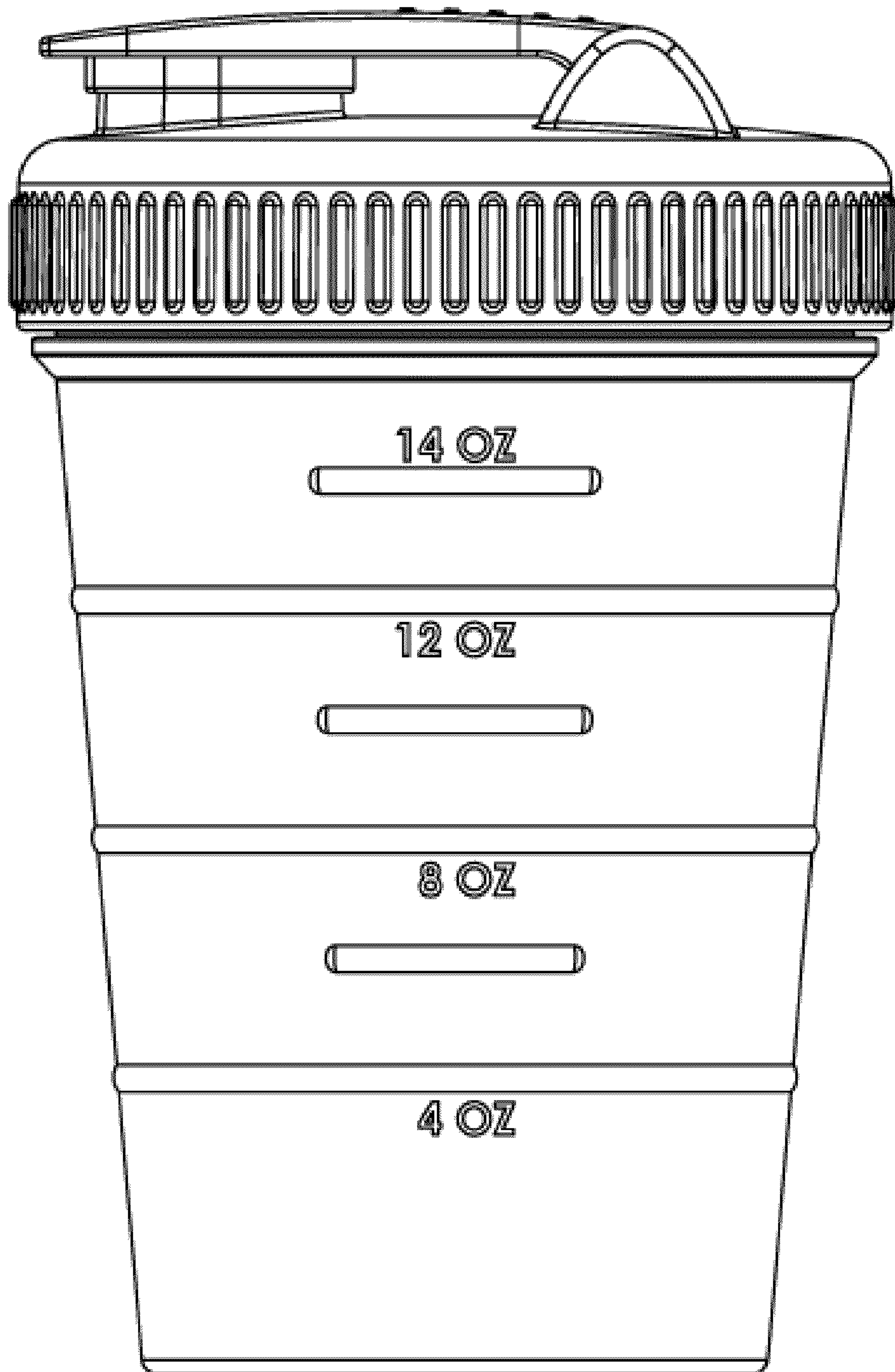


FIG 5

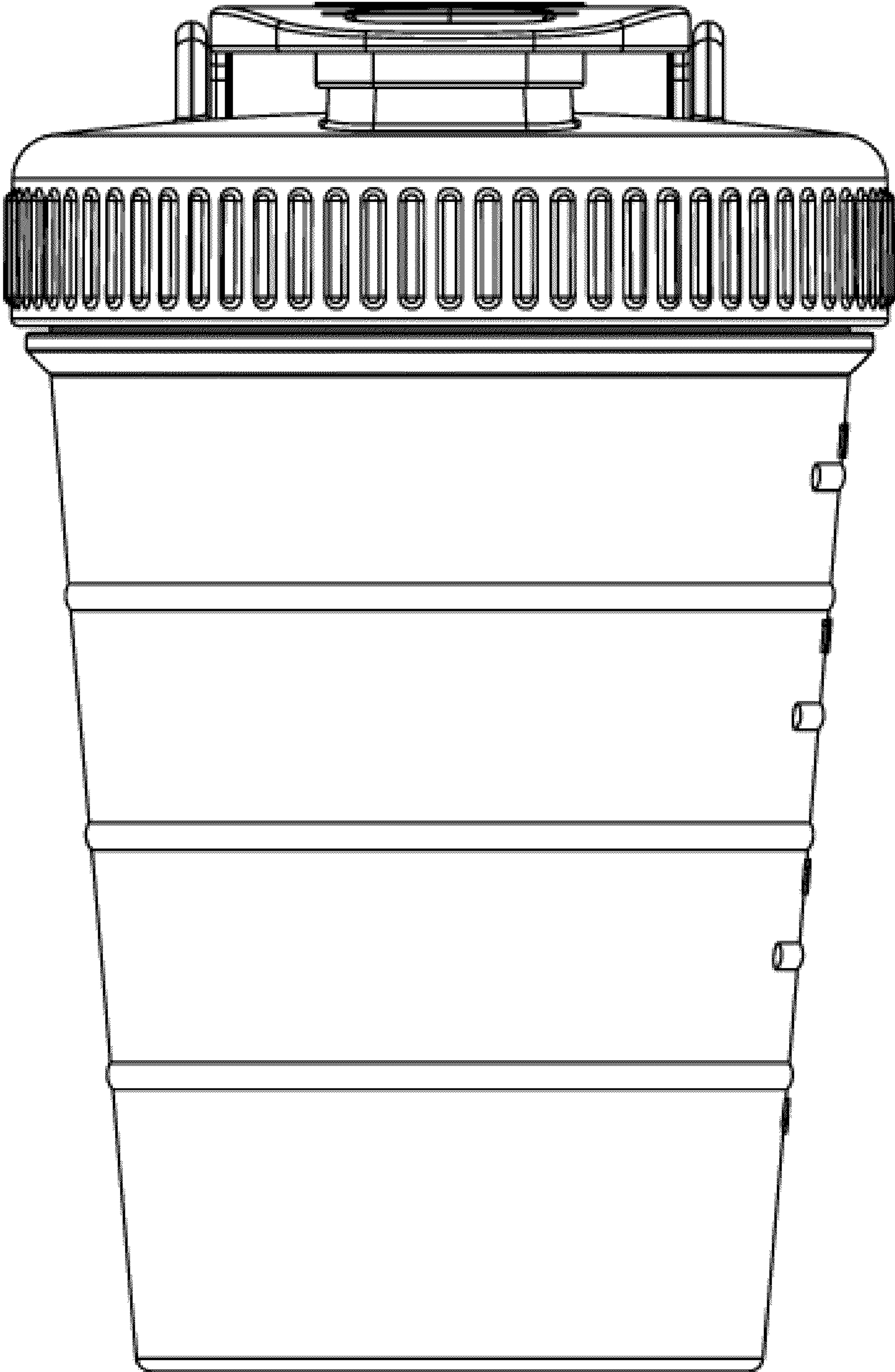


FIG 6



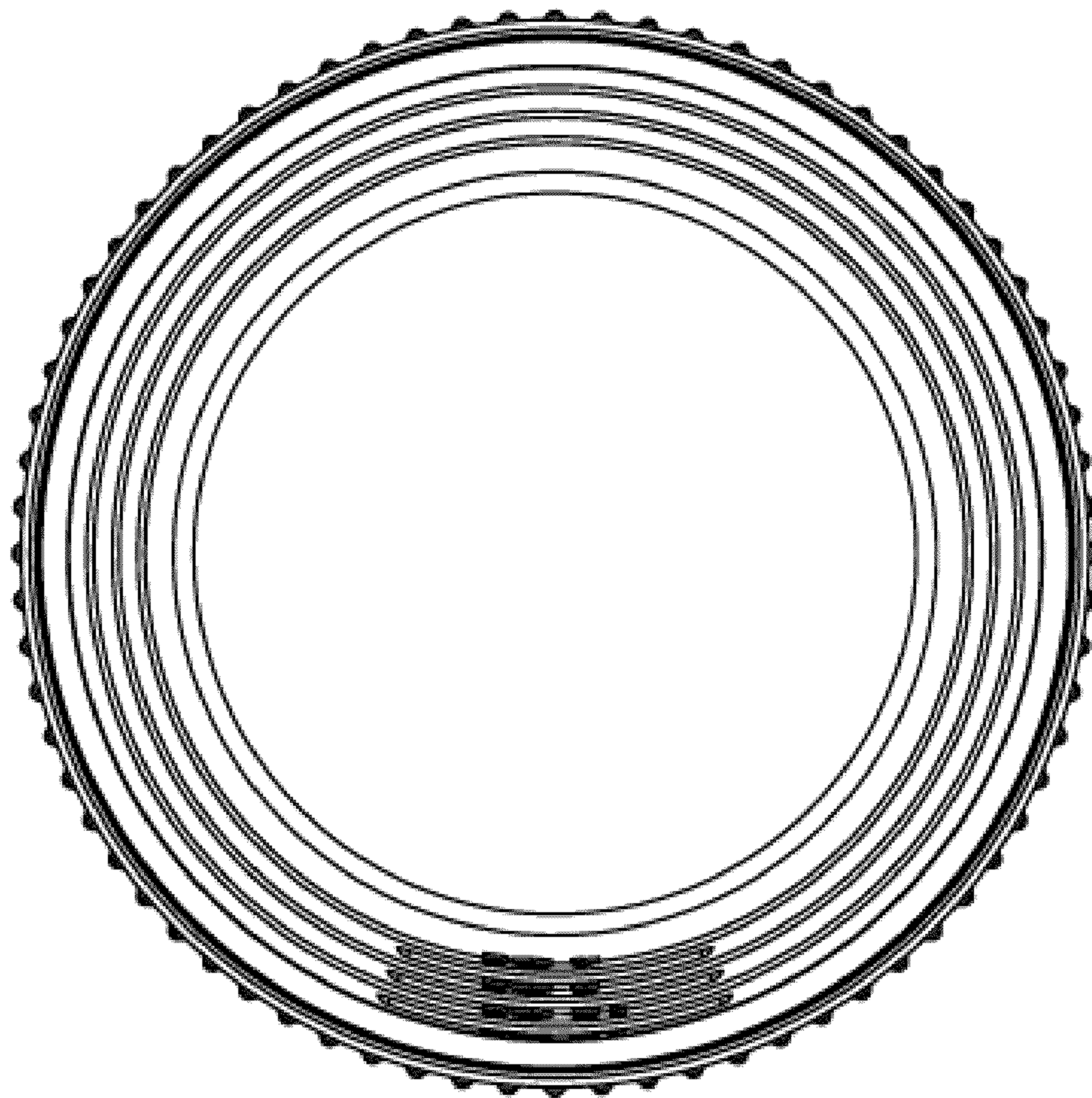


FIG 7