



US00D726473S

(12) **United States Design Patent**
Skalka

(10) **Patent No.:** **US D726,473 S**
(45) **Date of Patent:** **** Apr. 14, 2015**

(54) **END FRAME FOR A BENCH**
(71) Applicant: **Victor Stanley, Inc.**, Dunkirk, MD (US)
(72) Inventor: **Gerald Skalka**, Potomac, MD (US)
(73) Assignee: **Victor Stanley, Inc.**, Dunkirk, MD (US)
(**) Term: **14 Years**

Primary Examiner — Ricky Pham
(74) *Attorney, Agent, or Firm* — Westerman, Hattori, Daniels & Adrian, LLP

(21) Appl. No.: **29/495,167**
(22) Filed: **Jun. 27, 2014**
(51) **LOC (10) Cl.** **06-01**
(52) **U.S. Cl.**
USPC **D6/717**
(58) **Field of Classification Search**
CPC A47C 4/03; A47C 5/06; A47C 5/12;
A47C 7/16; A47C 11/00; A47C 15/002
USPC D6/334–336, 349, 355, 368, 370–381,
D6/708, 708.16, 709, 716, 716.1–716.4,
D6/717; D12/115; 297/411.41, 411.42,
297/445.1, 446.1, 448.2, 452.63
See application file for complete search history.

(57) **CLAIM**
The ornamental design for an end frame for a bench, as shown and described.

DESCRIPTION

FIG. 1 is an isometric view of a first embodiment of an end frame for a bench showing my new design.
FIG. 2 is a right side elevational view of the end frame for a bench of FIG. 1, the left side elevational view being a mirror image thereof.
FIG. 3 is a front elevational view of the end frame for a bench of FIG. 1.
FIG. 4 is a bottom plan view of the end frame for a bench of FIG. 1.
FIG. 5 is a top plan view of the end frame for a bench of FIG. 1.
FIG. 6 is a back elevational view of the end frame for a bench of FIG. 1.
FIG. 7 is an isometric view of a second embodiment of an end frame for a bench showing my new design.
FIG. 8 is a right side elevational view of the end frame for a bench of FIG. 7, the left side elevational view being a mirror image thereof.
FIG. 9 is a front elevational view of the end frame for a bench of FIG. 7.
FIG. 10 is a bottom plan view of the end frame for a bench of FIG. 7.
FIG. 11 is a top plan view of the end frame for a bench of FIG. 7; and,
FIG. 12 is a back elevational view of the end frame for a bench of FIG. 7.
The legs of the end frame of the bench are shown broken-away transversely in FIGS. 7-9 and 12 to indicate that a specific length forms no part of the claimed design of the embodiment of FIGS. 7-9 and 12.

(56) **References Cited**
U.S. PATENT DOCUMENTS
D165,952 S 2/1952 Weatherly
4,113,312 A 9/1978 Skalka
4,306,660 A 12/1981 Livingston
D263,189 S * 3/1982 Beals D6/495
D263,353 S 3/1982 Beals
D314,677 S 2/1991 Hanna
D345,874 S 4/1994 Muller
5,388,736 A 2/1995 Schmidt

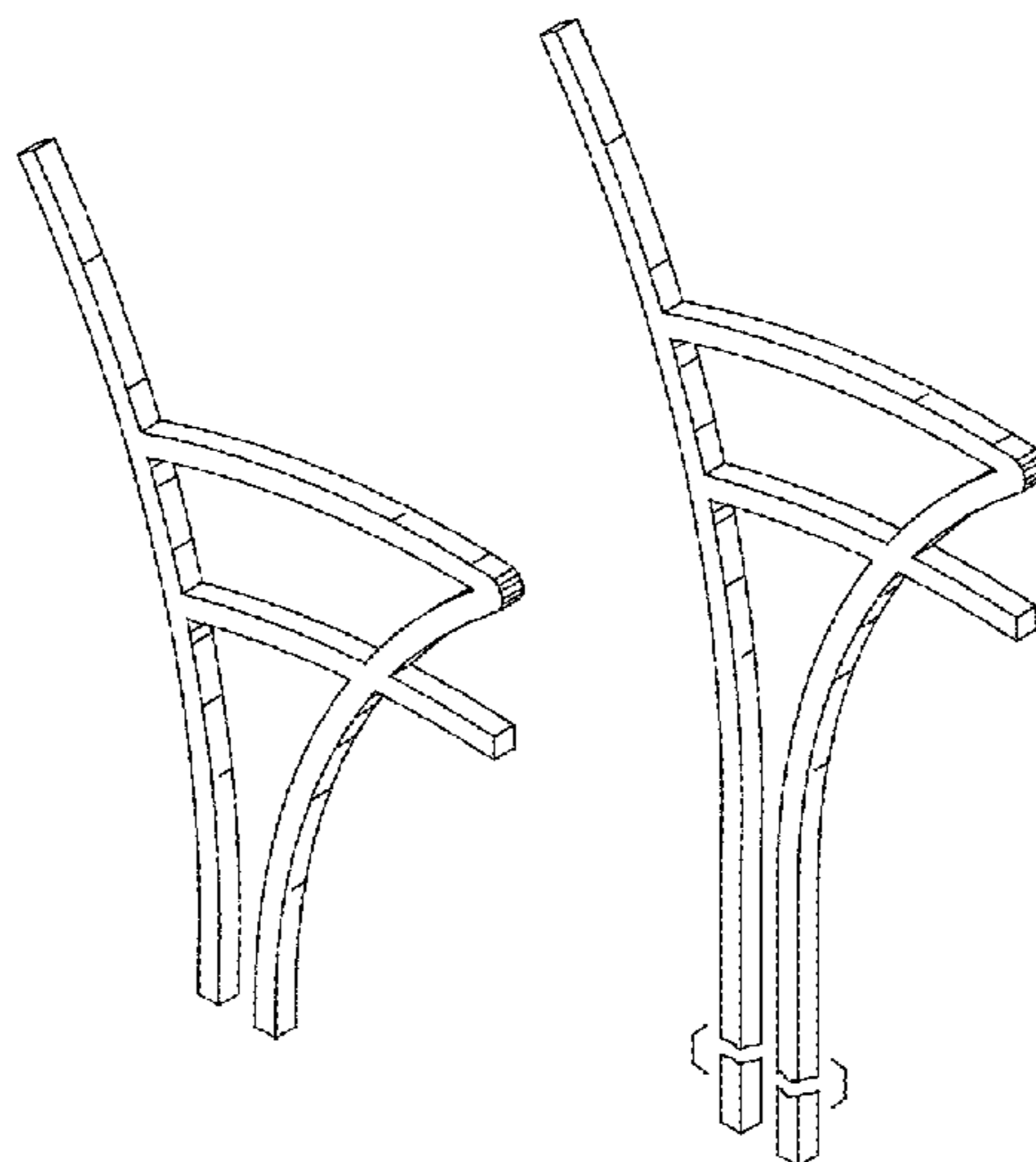
(Continued)

OTHER PUBLICATIONS

“PRSNA-10 Production Series”, Victor Stanley, Inc., Mar. 7, 2005.

(Continued)

1 Claim, 2 Drawing Sheets



(56)

References Cited

U.S. PATENT DOCUMENTS

D359,395 S 6/1995 Miller
 D365,937 S 1/1996 Skalka
 D376,271 S 12/1996 Skalka
 D376,937 S 12/1996 Skalka
 D383,615 S 9/1997 Skalka
 D384,512 S 10/1997 Skalka
 D386,012 S 11/1997 Skalka
 D406,700 S * 3/1999 Slear D6/376
 D408,660 S 4/1999 Donnelly
 5,942,261 A 8/1999 Dreith
 D413,738 S * 9/1999 Hornyak D6/370
 D419,004 S 1/2000 Collins
 D419,341 S 1/2000 Chipman
 D420,226 S * 2/2000 Sabo D6/380
 D420,823 S * 2/2000 Tyler D6/370
 D442,379 S * 5/2001 Vertongen D6/368
 D446,399 S * 8/2001 Slear D6/370
 D450,498 S 11/2001 Skalka
 D457,738 S * 5/2002 Slear et al. D6/355
 D457,742 S 5/2002 Arnold
 D458,044 S * 6/2002 Slear et al. D6/370
 D458,475 S 6/2002 Hecht et al.
 D467,101 S 12/2002 Hughes
 D468,550 S 1/2003 Pappas
 D473,063 S 4/2003 Pappas
 D473,391 S 4/2003 Haney et al.
 D486,004 S 2/2004 Haney et al.
 D486,664 S 2/2004 Pappas
 D498,079 S 11/2004 Messier
 D503,054 S * 3/2005 Olson D6/499
 D507,511 S * 7/2005 Lassanske D12/115
 D509,675 S 9/2005 Reza-Hadden
 D512,229 S 12/2005 Reza-Hadden
 D513,893 S 1/2006 Reza-Hadden
 D518,419 S * 4/2006 Smith D12/115
 D522,281 S 6/2006 Schiefer et al.
 D522,282 S 6/2006 Schiefer et al.
 D522,283 S * 6/2006 Schiefer et al. D6/495
 D522,775 S 6/2006 Skalka
 D523,263 S 6/2006 Skalka
 D523,650 S 6/2006 Skalka
 D525,809 S 8/2006 Hughes
 D526,149 S * 8/2006 Schiefer et al. D6/501
 D526,514 S 8/2006 Hughes
 D526,518 S 8/2006 Schiefer et al.
 D526,805 S 8/2006 Skalka
 D528,831 S 9/2006 Rizzi
 D530,535 S 10/2006 Skalka
 D530,548 S * 10/2006 McCurry D6/500
 D532,620 S 11/2006 Skalka
 D532,630 S 11/2006 Rizzi
 D534,021 S 12/2006 Rizzi
 D562,034 S 2/2008 Pappas
 D563,689 S 3/2008 Skalka
 D571,581 S 6/2008 Weimer et al.
 D572,048 S 7/2008 Weimer et al.
 D572,947 S 7/2008 Weimer et al.
 D578,808 S 10/2008 Pappas

D579,227 S 10/2008 Skalka
 D579,684 S 11/2008 Skalka
 D579,685 S 11/2008 Skalka
 D585,209 S 1/2009 Skalka
 D585,210 S 1/2009 Rizzi
 D585,211 S 1/2009 Rizzi
 D585,220 S 1/2009 Skalka
 D590,621 S 4/2009 Pappas
 D601,823 S 10/2009 Skalka
 D607,229 S 1/2010 Skalka
 D613,646 S 4/2010 Schwartz et al.
 D615,765 S * 5/2010 Chan D6/381
 D629,233 S 12/2010 Slear et al.
 D629,234 S 12/2010 Marousek
 D632,104 S 2/2011 Marousek
 D647,732 S 11/2011 McCurry
 D648,157 S 11/2011 McCurry
 D648,658 S 11/2011 Soto et al.
 D658,551 S 5/2012 Skalka
 D669,695 S * 10/2012 McCurry D6/349
 D679,629 S 4/2013 Davenport
 D680,346 S 4/2013 Pedersen et al.
 D689,293 S 9/2013 Watton
 D689,320 S 9/2013 Watton
 D692,710 S * 11/2013 Hallberg et al. D6/709
 D696,885 S 1/2014 Skalka
 D697,352 S 1/2014 Skalka
 D704,974 S 5/2014 Lee
 D710,122 S * 8/2014 Skalka et al. D6/370
 D710,139 S * 8/2014 Skalka D6/717
 D710,624 S * 8/2014 Skalka D6/370
 D710,625 S * 8/2014 Skalka D6/370
 D710,626 S * 8/2014 Skalka D6/370
 D711,174 S * 8/2014 Skalka et al. D6/717
 D711,175 S * 8/2014 Skalka D6/717
 D711,176 S * 8/2014 Skalka D6/717

OTHER PUBLICATIONS

“Homestead Series Model-8”, Victor Stanley, Inc., Apr. 17, 2002.
 “Homestead Series Model-8,” Victor Stanley, Inc. (2002).
 “PRRNA-10 Production Series,” Victor Stanley, Inc. (Mar. 2005).
 U.S. Notice of Allowance dated Apr. 16, 2014, issued in related U.S. Appl. No. 29/471,315 (6 pages).
 U.S. Notice of Allowance dated Apr. 16, 2014, issued in related U.S. Appl. No. 29/458,004 (6 pages).
 U.S. Notice of Allowance dated Apr. 16, 2014, issued in related U.S. Appl. No. 29/471,277 (6 pages).
 U.S. Notice of Allowance dated Apr. 10, 2014, issued in related U.S. Appl. No. 29/477,393 (12 pages).
 U.S. Restriction Requirement dated Mar. 25, 2014, issued in related U.S. Appl. No. 29/458,004 (17 pages).
 U.S. Restriction Requirement dated Mar. 25, 2014, issued in related U.S. Appl. No. 29/471,277 (16 pages).
 U.S. Restriction Requirement dated Mar. 26, 2014, issued in related U.S. Appl. No. 29/471,315 (18 pages).
 U.S. Notice of Allowance dated Dec. 4, 2014, issued in Design U.S. Appl. No. 29/477,327 (8 pages).

* cited by examiner

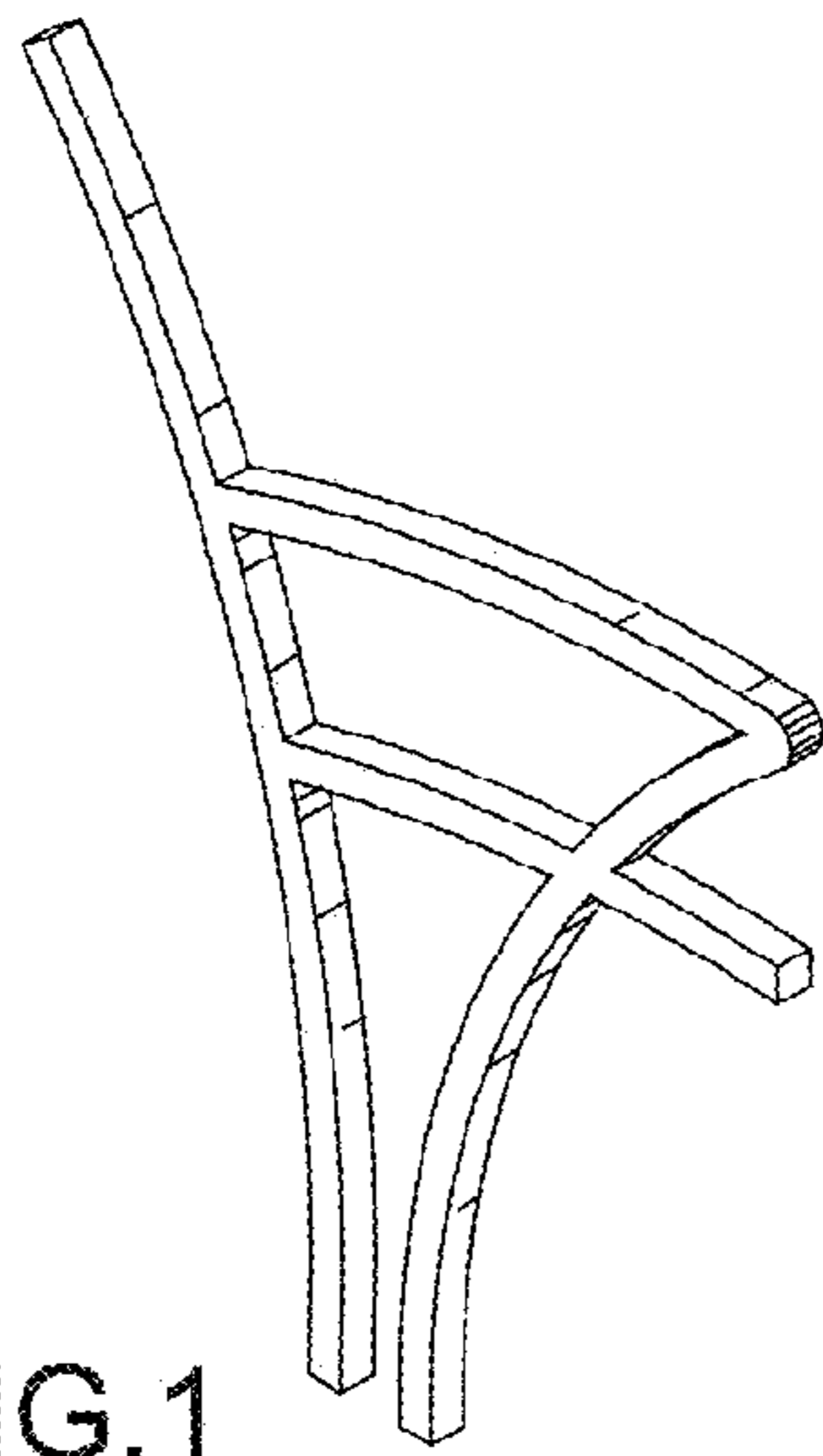


FIG.1

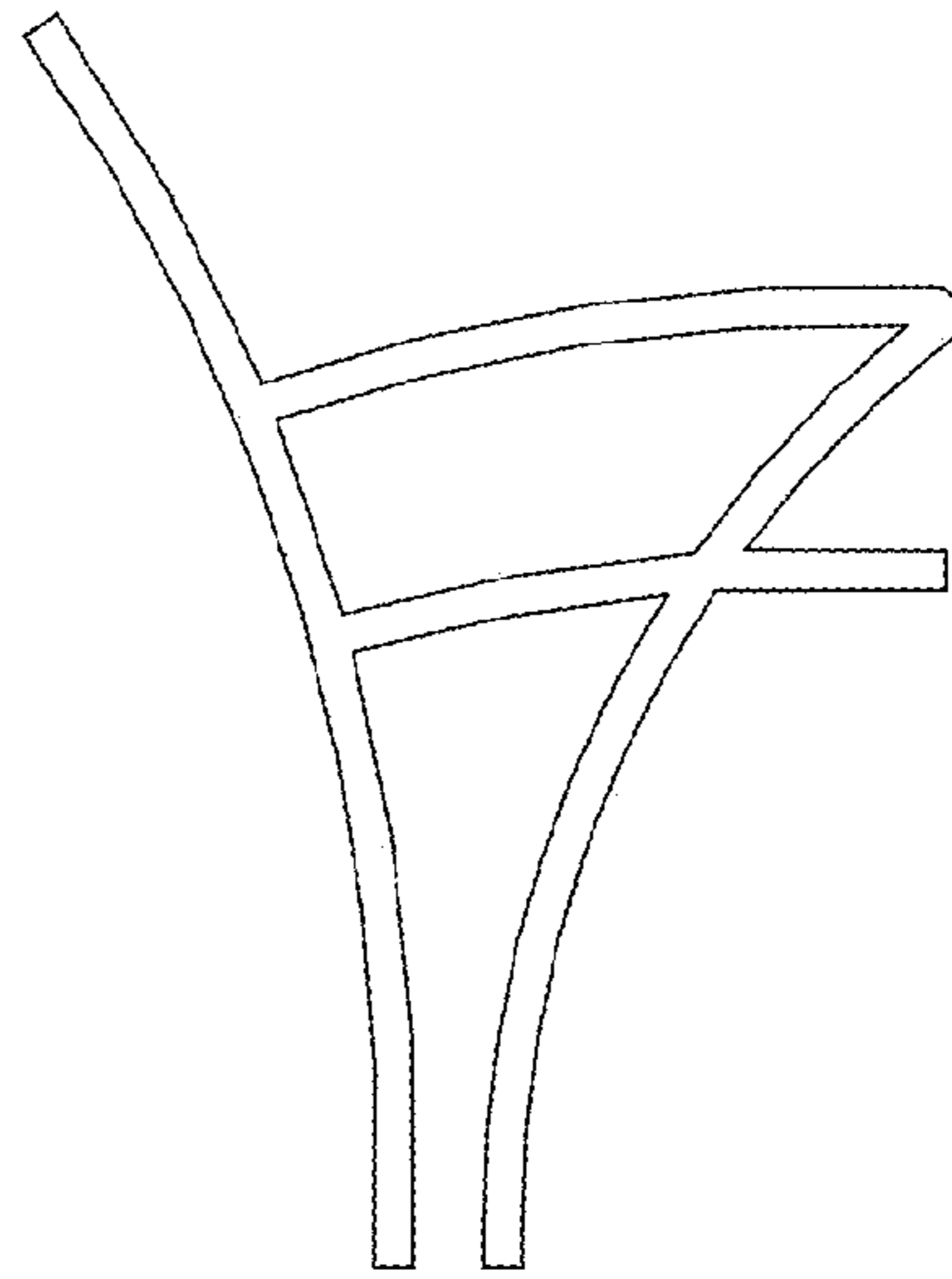


FIG.2



FIG.3



FIG.5



FIG.4



FIG.6

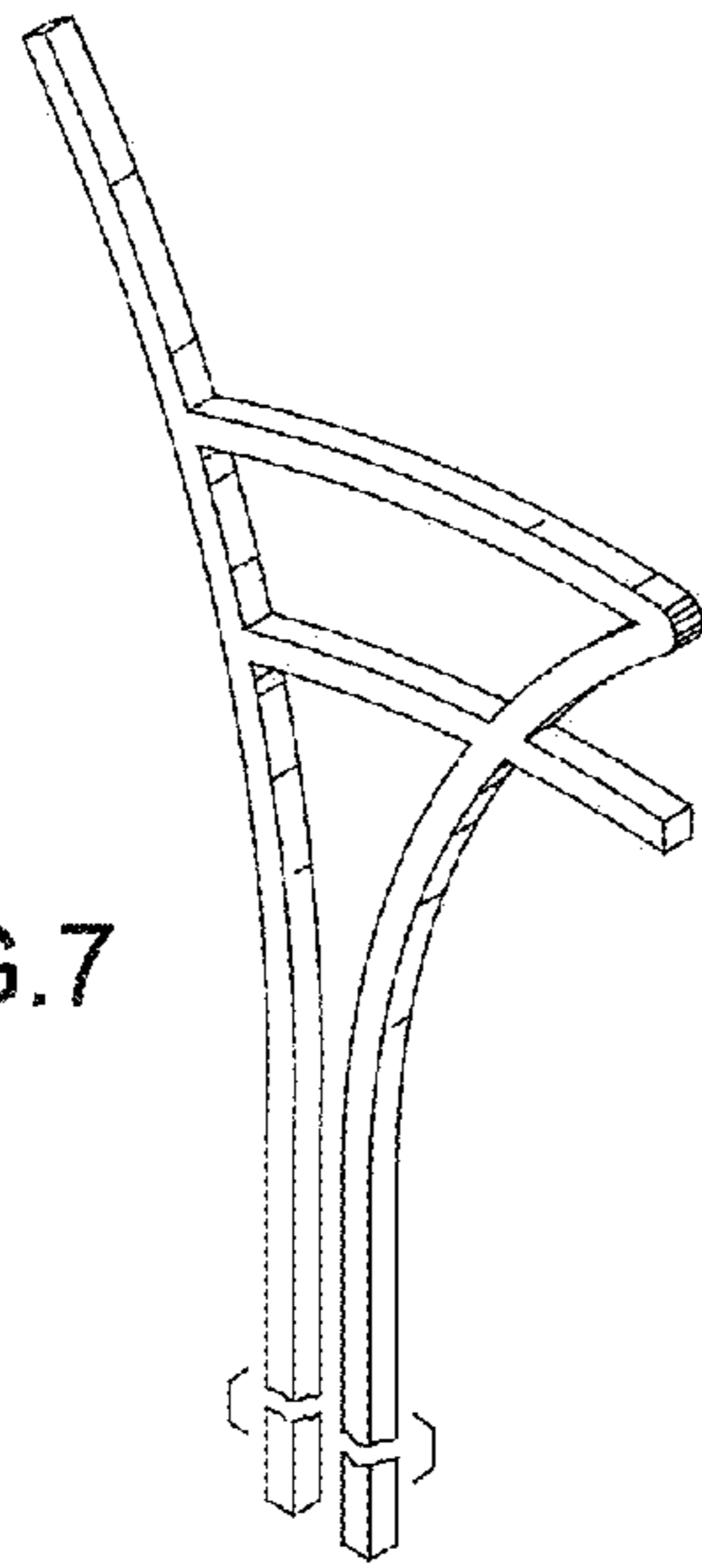


FIG. 7

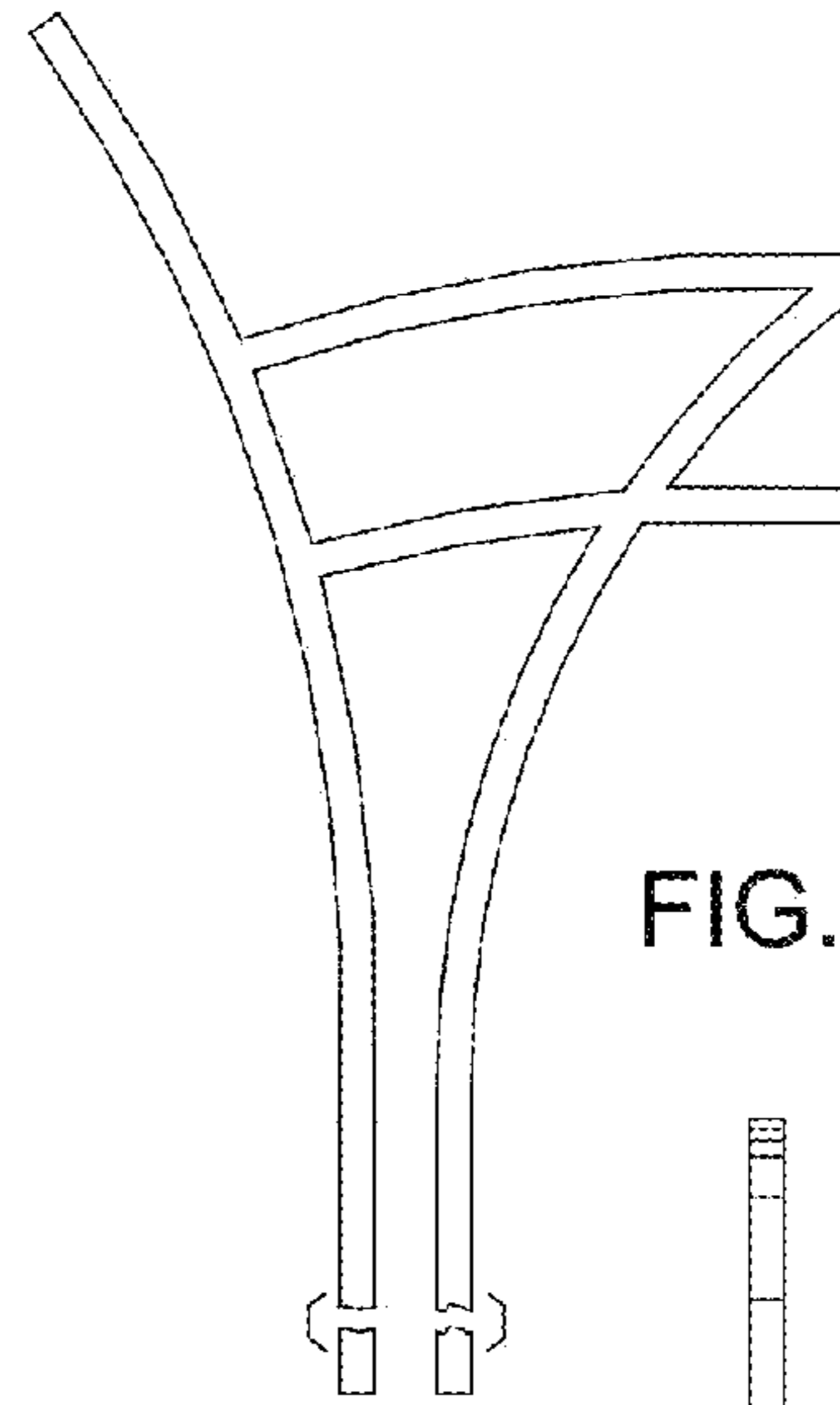


FIG. 8



FIG. 9

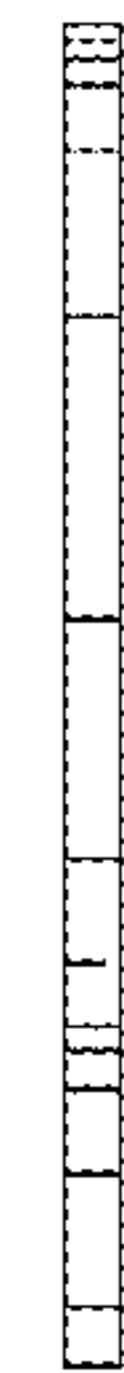


FIG. 11

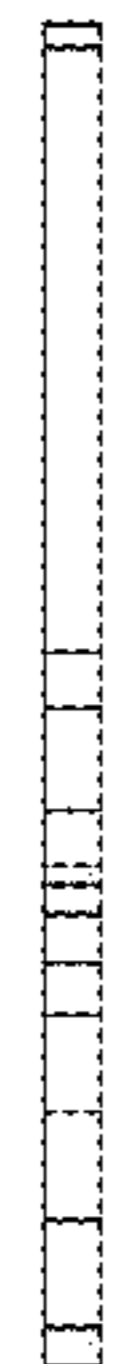


FIG. 10

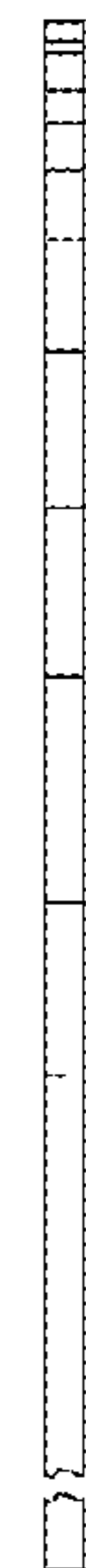


FIG. 12