



US00D726468S

(12) **United States Design Patent**
McKenna et al.

(10) **Patent No.:** **US D726,468 S**
(45) **Date of Patent:** **** Apr. 14, 2015**

- (54) **CHAIR**
- (71) Applicant: **Steelcase Inc.**, Grand Rapids, MI (US)
- (72) Inventors: **Mark McKenna**, Grand Rapids, MI (US); **Fredric Biddle**, Kalamazoo, MI (US); **Bruce Smith**, East Grand Rapids, MI (US)
- (73) Assignee: **Steelcase Inc.**, Grand Rapids, MI (US)
- (**) Term: **14 Years**
- (21) Appl. No.: **29/493,714**
- (22) Filed: **Jun. 12, 2014**
- (51) **LOC (10) Cl.** **06-01**
- (52) **U.S. Cl.**
USPC **D6/716**
- (58) **Field of Classification Search**
CPC A47C 4/02; A47C 4/03; A47C 5/12;
A47C 7/16; A47C 3/12
USPC D6/334-336, 356, 364, 366, 367, 379,
D6/380, 716, 716.4, 716.5; 297/411.4,
297/411.41, 445.1, 451.11, 452.12, 452.14,
297/452.19
See application file for complete search history.

(56) **References Cited**
U.S. PATENT DOCUMENTS

2,343,077	A *	2/1944	Parrish	297/445.1
2,606,601	A *	8/1952	Saarinen	A47C 3/12
2,838,095	A	6/1958	Deaton	
D183,416	S *	8/1958	Bellmann	D6/375
2,845,699	A *	8/1958	Woodard	A47C 3/12
D193,847	S *	10/1962	Mason	D6/375
3,087,758	A	4/1963	Deaton	
D196,429	S *	10/1963	Johnson	D6/366
3,459,449	A	8/1969	Klausen	

D272,019	S	1/1984	Morehouse
4,427,232	A	1/1984	Malm
D275,158	S	8/1984	Aronowitz et al.
4,607,882	A	8/1986	Opsvik
D288,994	S	3/1987	Winters
D293,049	S	12/1987	Opsvik
4,832,407	A	5/1989	Serber
4,943,117	A	7/1990	Brown
4,971,040	A	11/1990	Gillotti
D358,514	S	5/1995	Lovegrove
5,411,316	A	5/1995	Lovegrove et al.
D360,311	S	7/1995	Stamberg et al.
D384,511	S	10/1997	Gresens

(Continued)

OTHER PUBLICATIONS

Web photograph taken on Mar. 17, 2010 and uploaded to Flickr. Downloaded from <https://www.flickr.com/photos/88017382@N00/4441604898> on Jul. 11, 2014.

(Continued)

Primary Examiner — Mimoso De

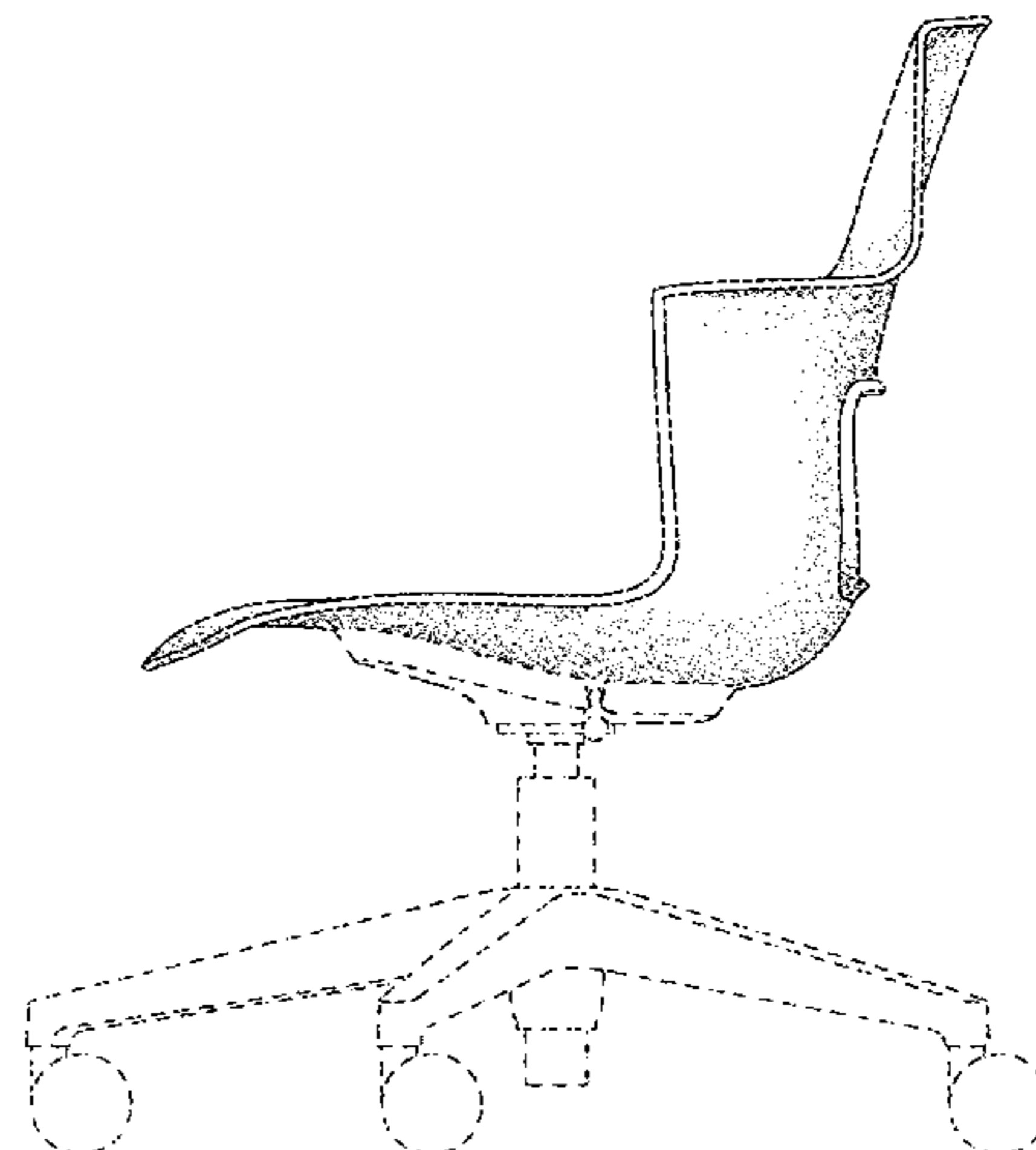
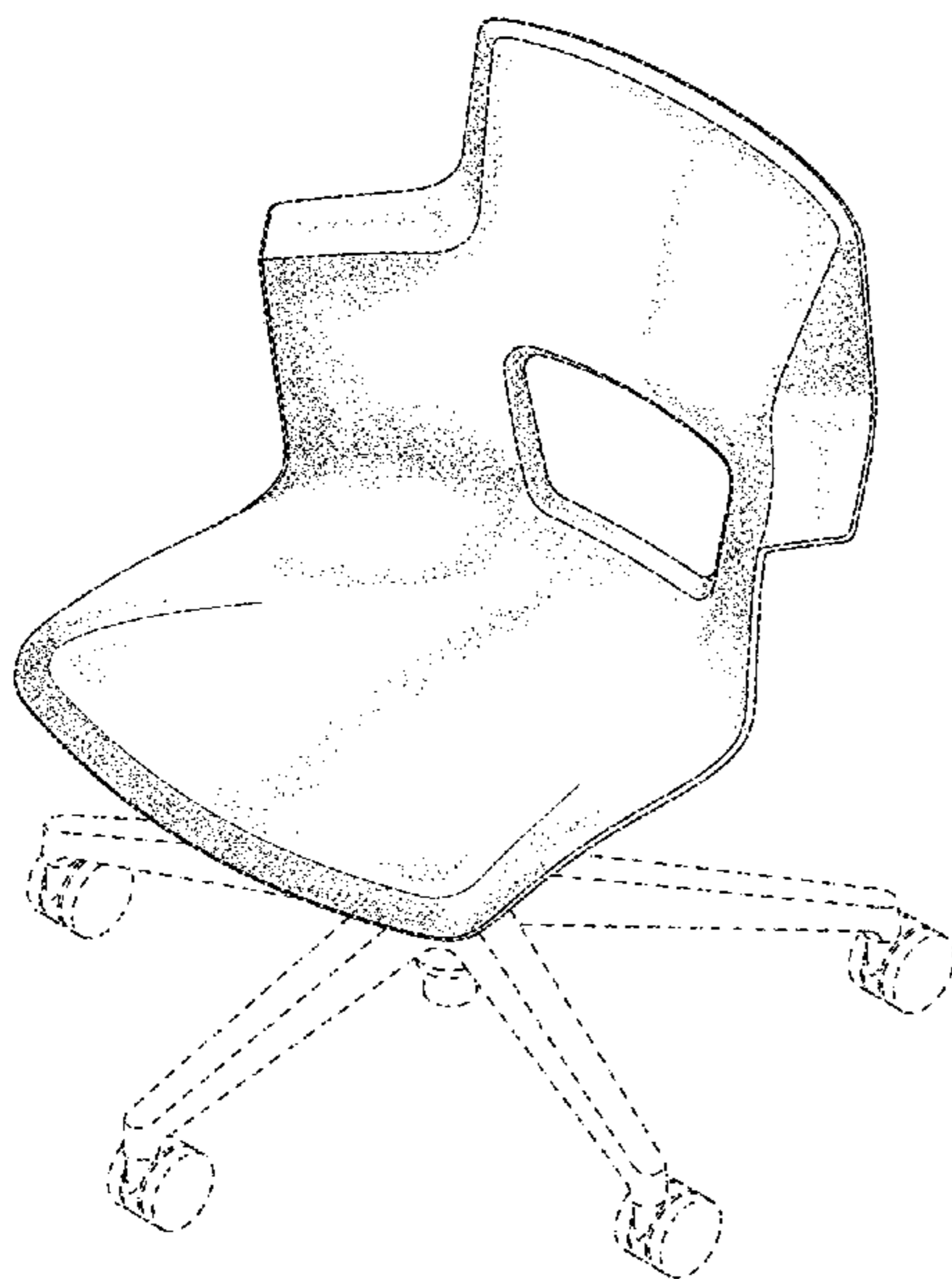
(57) **CLAIM**

We claim the ornamental design for a chair, as shown and described.

DESCRIPTION

FIG. 1 is a front perspective view of a chair; FIG. 2 is a front view of a chair of FIG. 1; FIG. 3 is a rear view of a chair of FIG. 1; FIG. 4 is a left side view of a chair of FIG. 1; FIG. 5 is a right side view of a chair of FIG. 1; FIG. 6 is a top view of a chair of FIG. 1; and, FIG. 7 is bottom view of a chair of FIG. 1. The dashed lines are for purposes of illustrating environmental structure and form no part of the claimed design.

1 Claim, 7 Drawing Sheets



(56)

References Cited

U.S. PATENT DOCUMENTS

5,810,438 A 9/1998 Newhouse
D400,018 S 10/1998 James et al.
D408,646 S 4/1999 Lin et al.
D414,950 S 10/1999 James
D421,539 S 3/2000 Liu
6,196,632 B1 3/2001 De Lucchi et al.
D469,265 S 1/2003 Holbrook et al.
D469,284 S 1/2003 Holbrook et al.
D472,410 S 4/2003 Yeh
6,585,320 B2 7/2003 Holbrook et al.
D498,939 S 11/2004 Kirkpatrick
D505,801 S 6/2005 Cesaroni et al.
D525,445 S 7/2006 Liu et al.
D546,085 S * 7/2007 Ritch et al. D6/366
D554,382 S 11/2007 Nobles et al.
D604,067 S 11/2009 Gaschy et al.
D609,037 S 2/2010 Miller et al.

7,654,616 B2 2/2010 Kinoshita et al.
D614,424 S 4/2010 Halvorson, Jr. et al.
D618,922 S 7/2010 Fuchs
D646,085 S 10/2011 Overthun et al.
D646,510 S 10/2011 Gasser
D647,316 S 10/2011 Kim
D649,802 S 12/2011 Breinholt
D660,040 S 5/2012 Bogdan et al.
D667,243 S * 9/2012 Su D6/716
D673,398 S 1/2013 Opsvik
D677,069 S 3/2013 Adams, IV
D679,517 S * 4/2013 Corcorran et al. D6/375
D679,525 S 4/2013 Corcorran et al.
D683,171 S * 5/2013 Kubryk D6/716
D683,979 S 6/2013 Miller et al.
D690,974 S * 10/2013 Pollack D6/716

OTHER PUBLICATIONS

Ethos Series by Haskell Office Solutions, May 2014 (1 page).

* cited by examiner

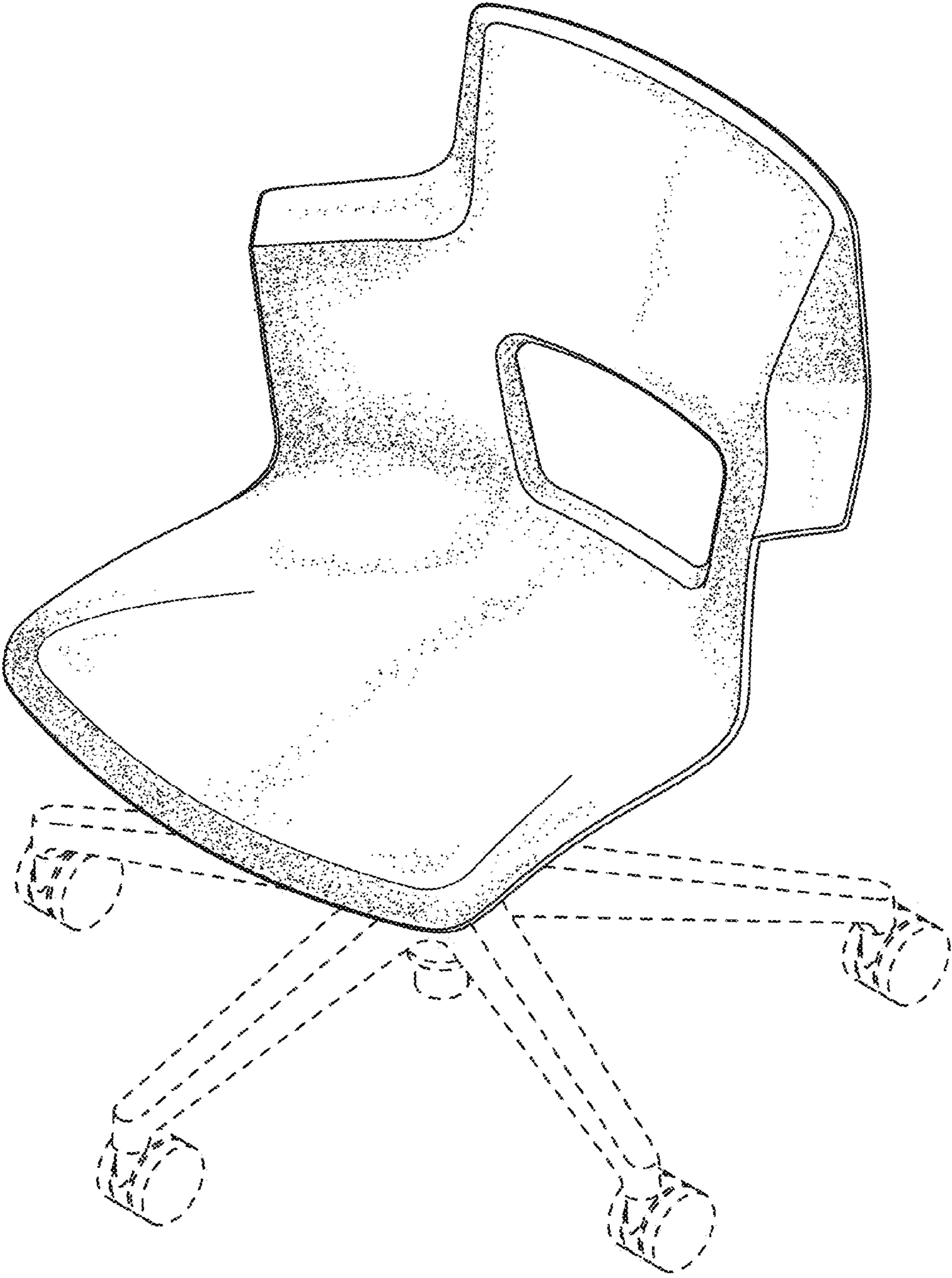


FIG. 1

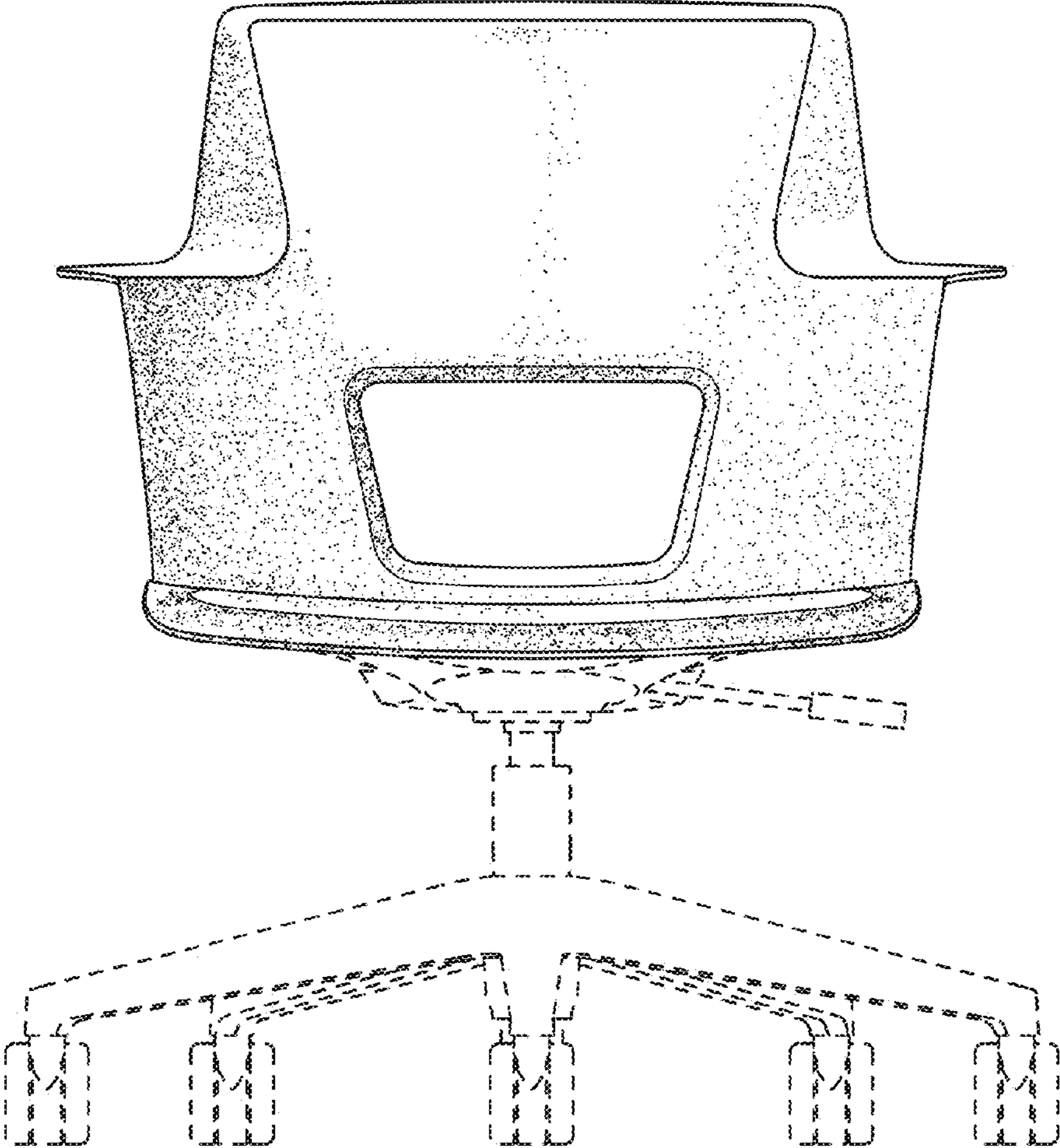


FIG. 2

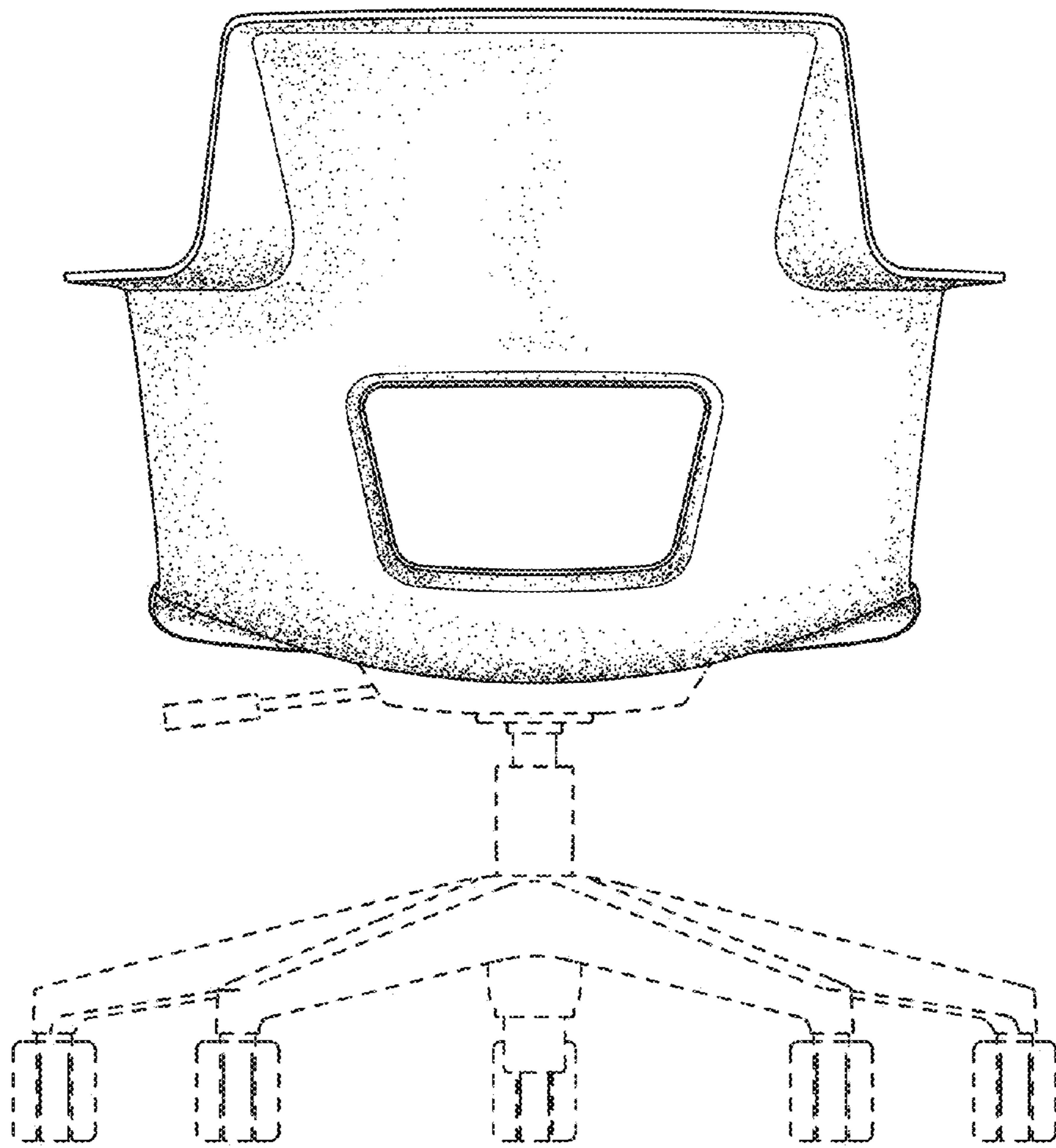


FIG. 3

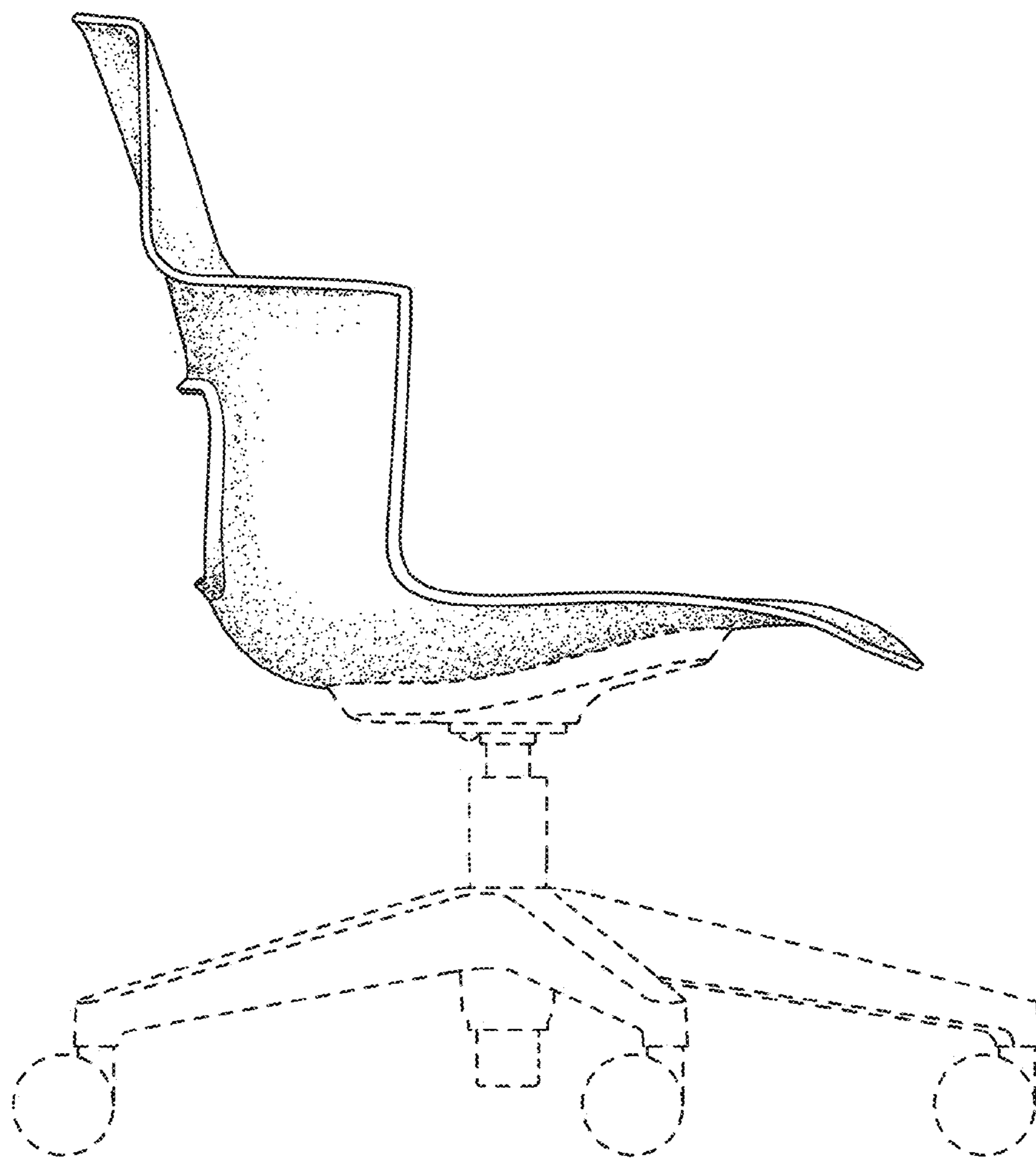


FIG. 4

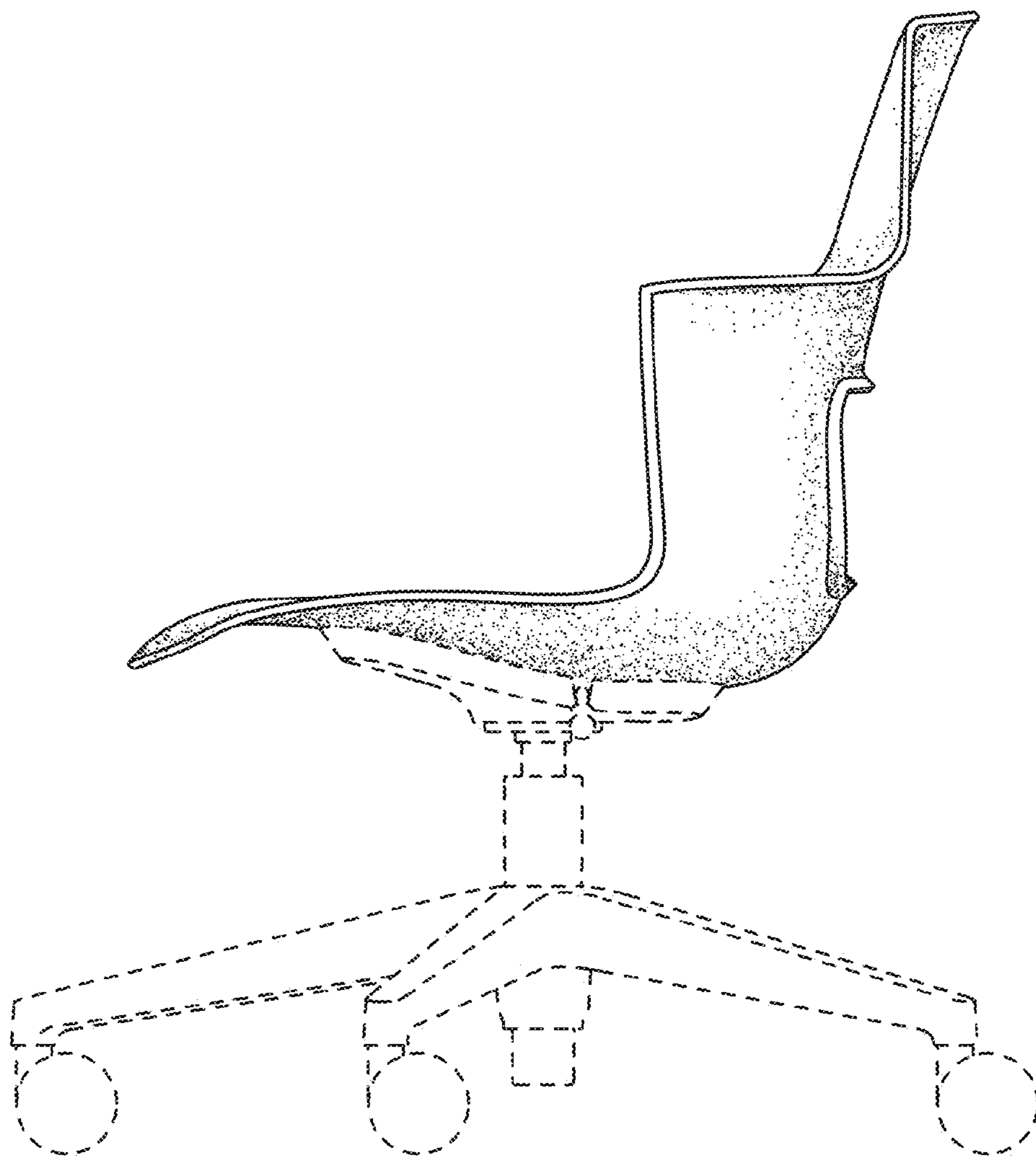


FIG. 5

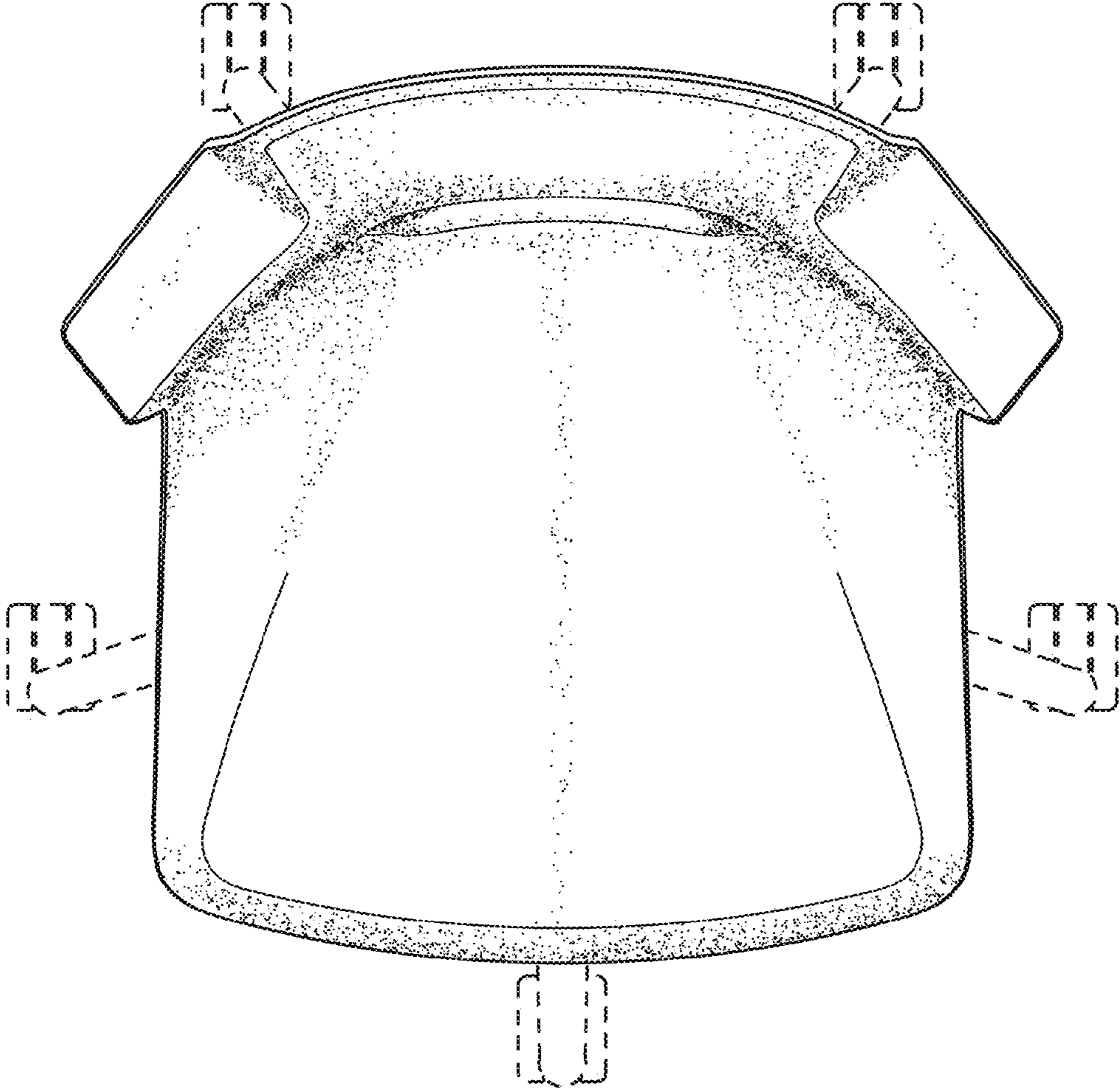


FIG. 6

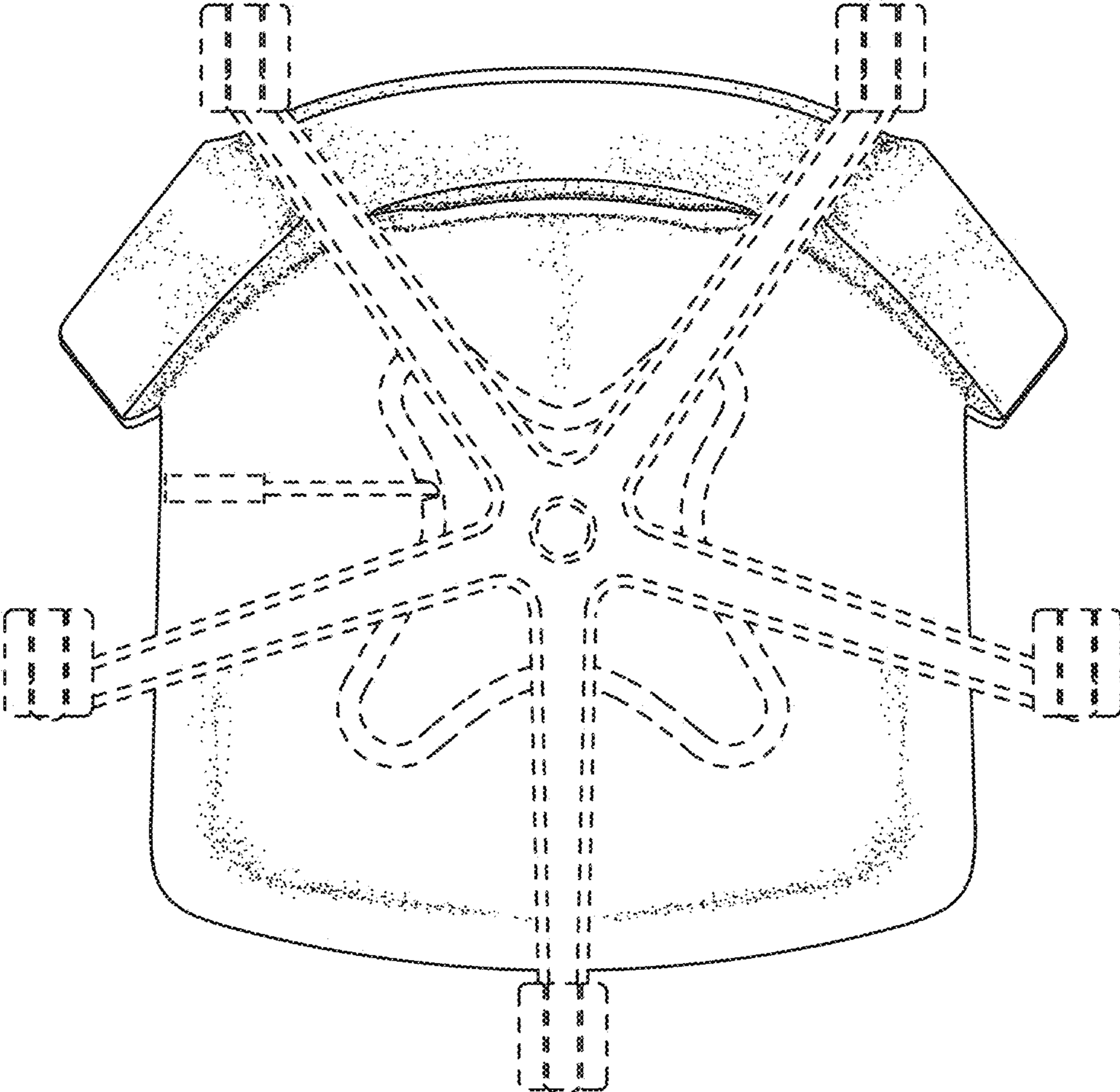


FIG. 7