



US00D726467S

(12) **United States Design Patent**
Foley

(10) **Patent No.:** **US D726,467 S**

(45) **Date of Patent:** **** Apr. 14, 2015**

(54) **CHAISE LOUNGE**

(56) **References Cited**

(71) Applicant: **Shelby Kaye Foley**, Pleasant Hill, MO
(US)

U.S. PATENT DOCUMENTS

(72) Inventor: **Shelby Kaye Foley**, Pleasant Hill, MO
(US)

D174,584 S *	4/1955	Michlin	D6/377
D174,827 S *	5/1955	Michlin	D6/377
D180,183 S *	4/1957	Gera	D6/377
D390,021 S *	2/1998	Smith	D6/361
D416,704 S *	11/1999	Mourgue	D6/377

(**) Term: **14 Years**

* cited by examiner

(21) Appl. No.: **29/491,316**

Primary Examiner — Mimosa De

(22) Filed: **May 20, 2014**

(74) *Attorney, Agent, or Firm* — Mashburn Law Office, LLC; Donna Denise Mashburn

(51) **LOC (10) Cl.** **06-01**

(57) **CLAIM**

The ornamental design for a chaise lounge, as shown and described.

(52) **U.S. Cl.**

DESCRIPTION

USPC **D6/716; D6/377**

(58) **Field of Classification Search**

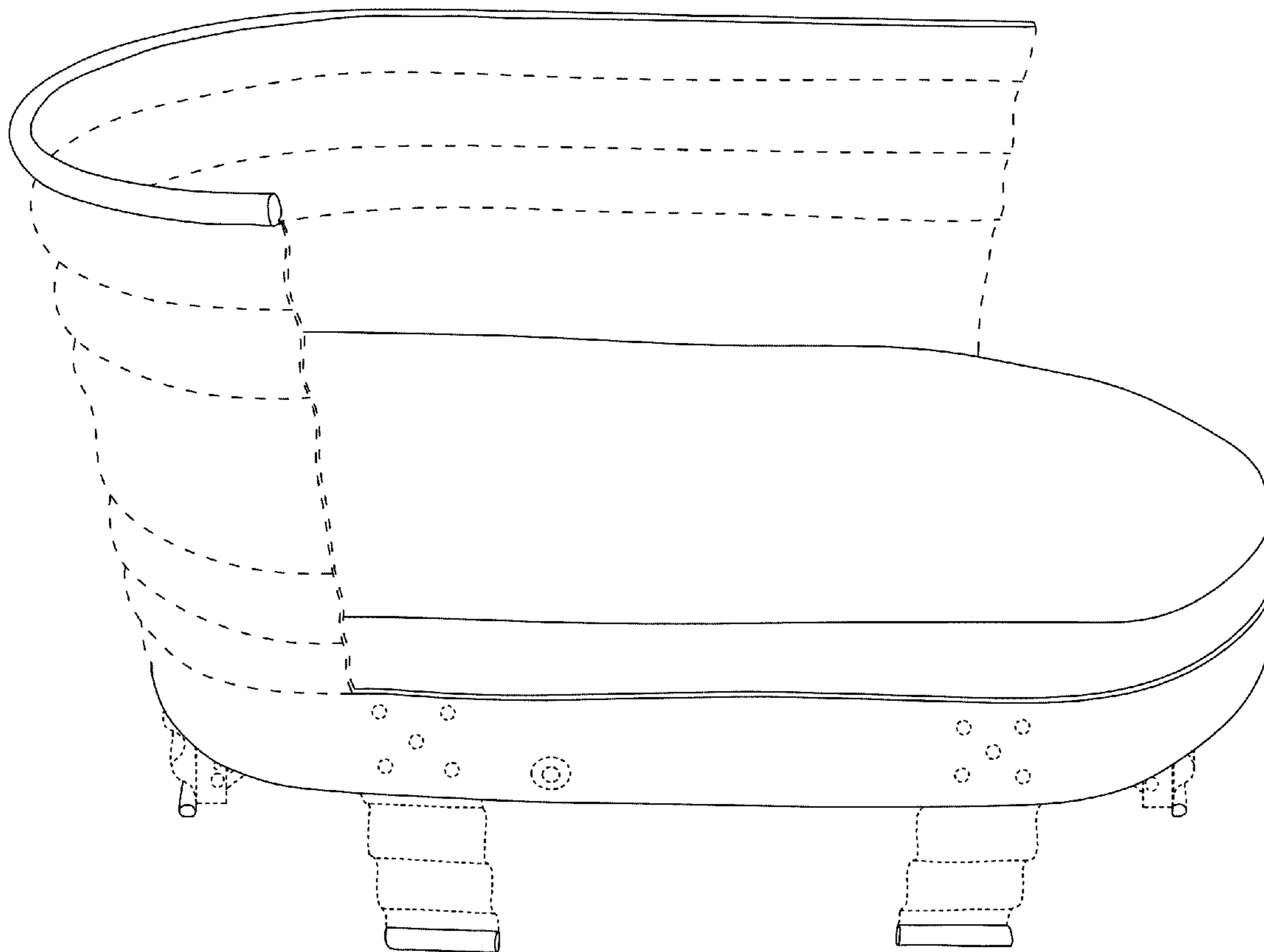
CPC A47C 1/00; A47C 7/18; A47C 7/24;
A47C 7/50; A47C 15/002

USPC D6/334-336, 361, 377, 378, 381, 716,
D6/716.1, 716.2, 716.4

FIG. 1 is a side perspective view of the chaise lounge; FIG. 2 is a front perspective view of the chaise lounge; and, FIG. 3 is a back perspective view of the chaise lounge. The broken lines in FIGS. 1-3 form no part of the claimed design.

See application file for complete search history.

1 Claim, 3 Drawing Sheets



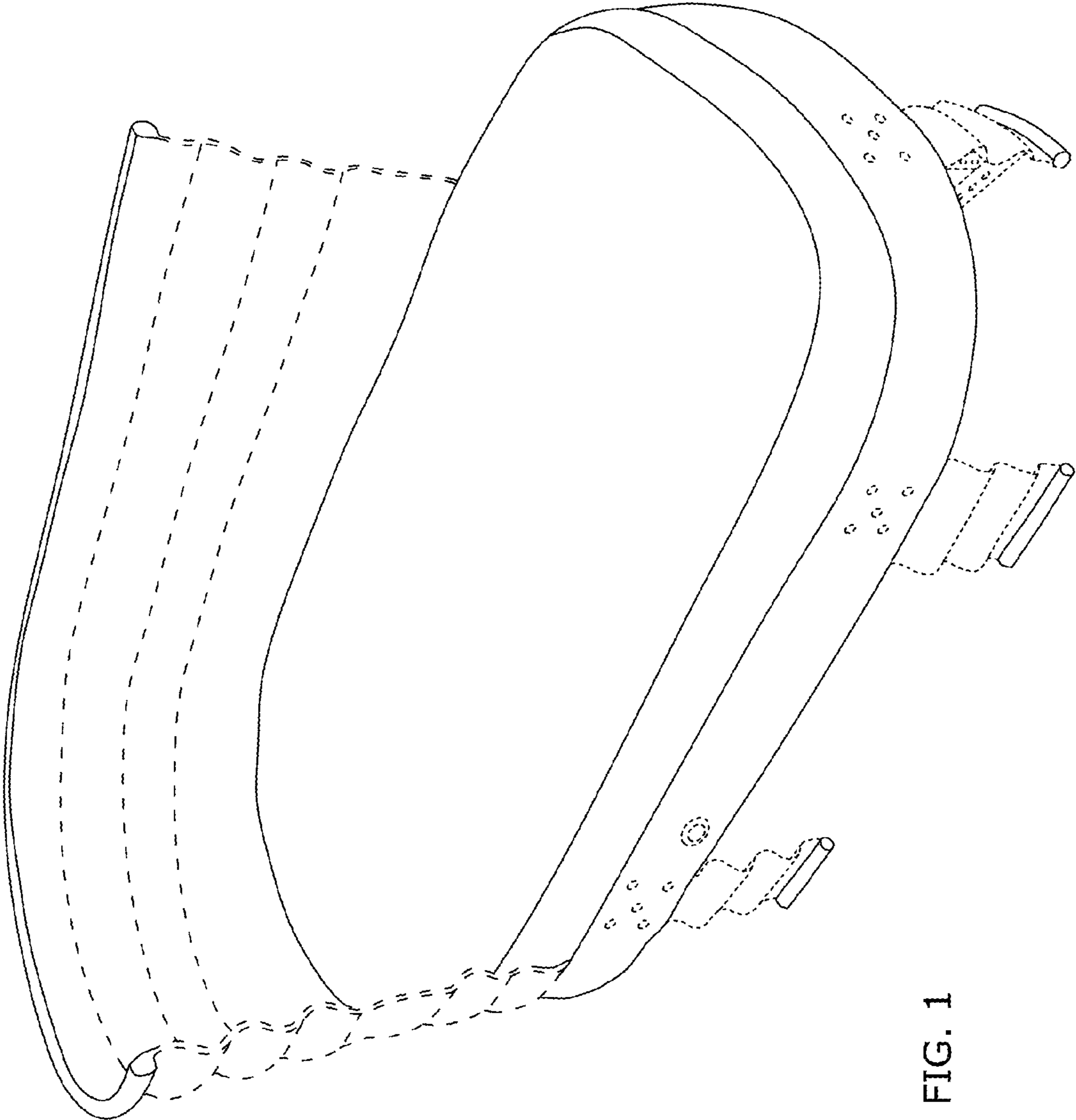


FIG. 1

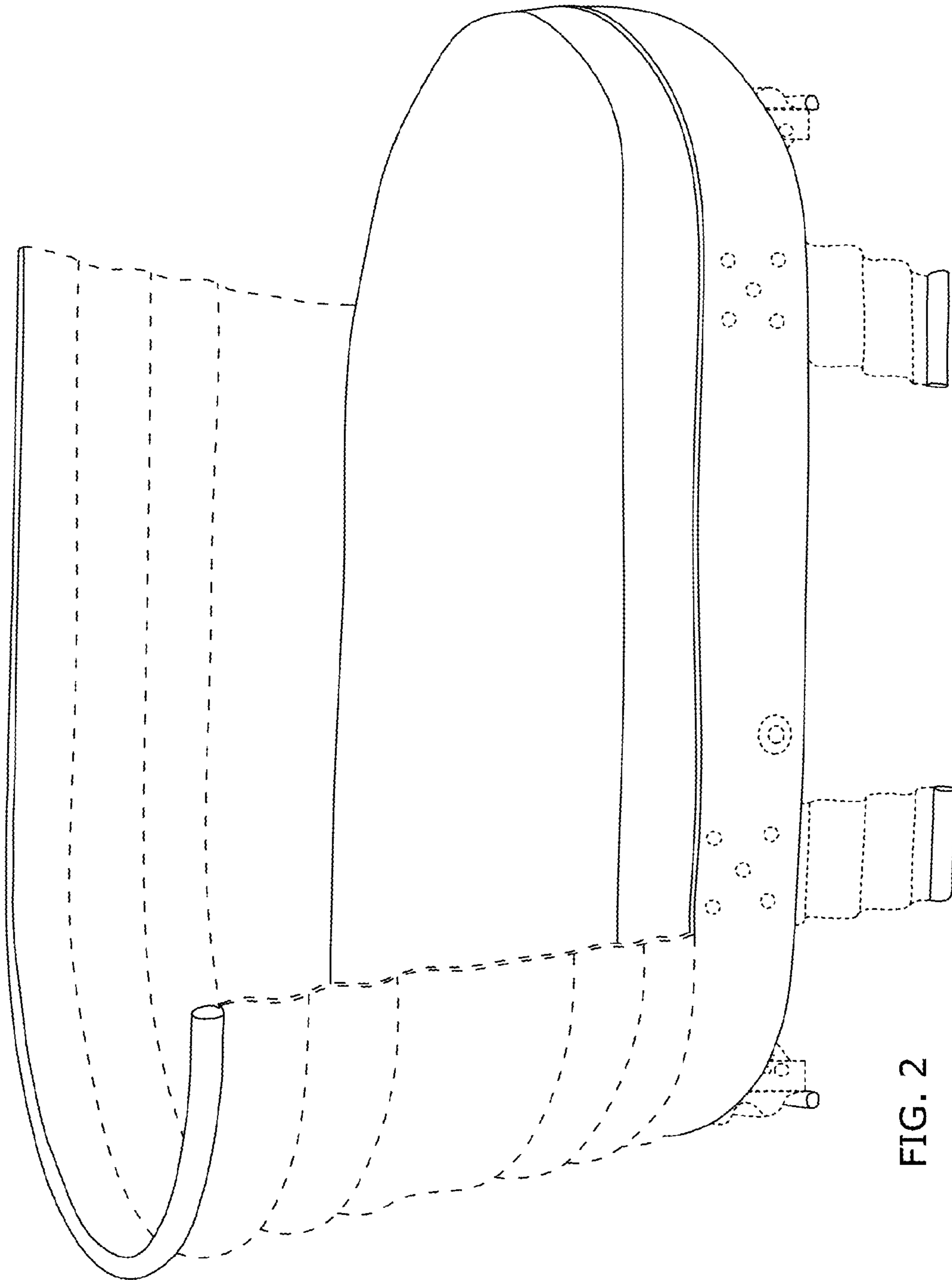


FIG. 2

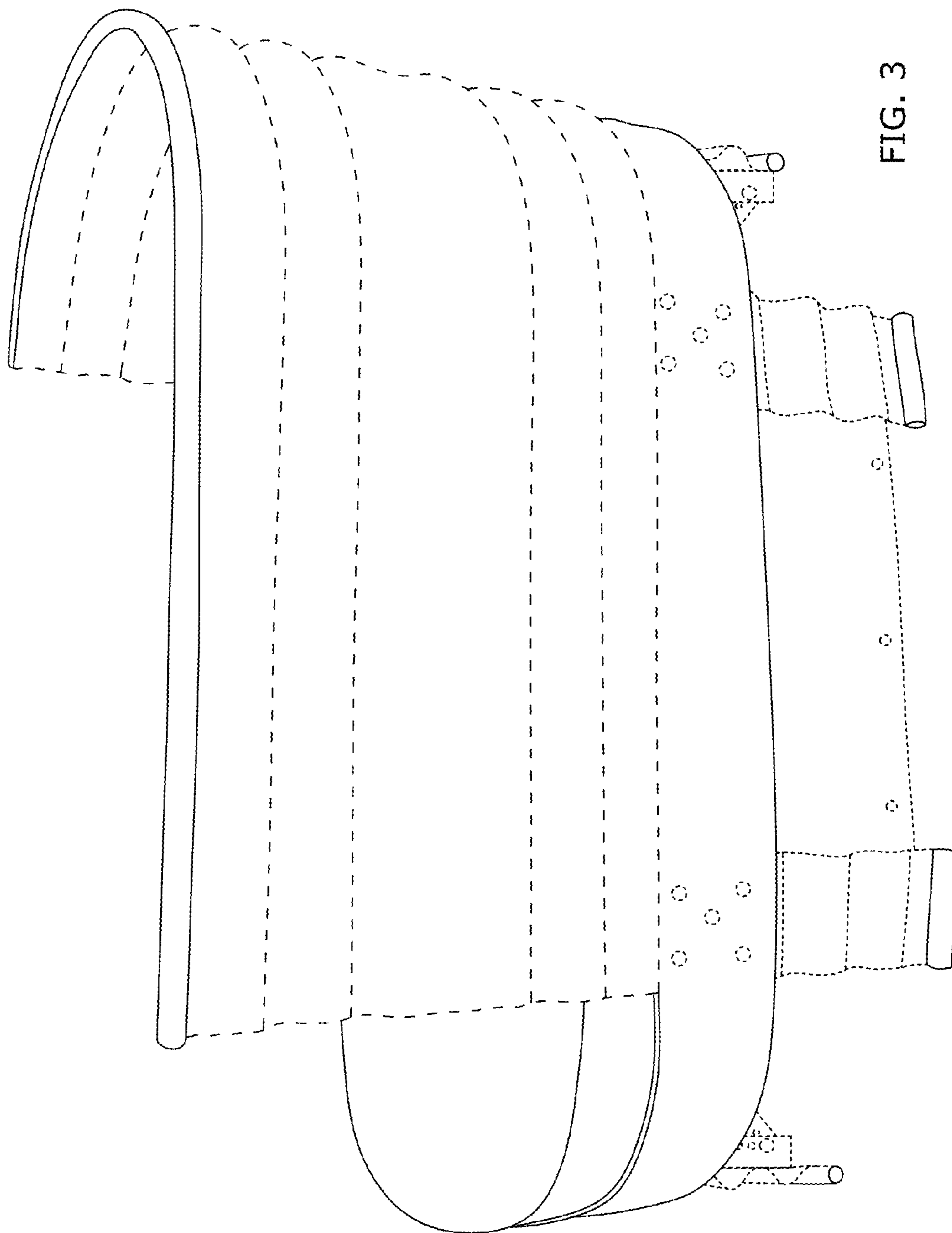


FIG. 3