



US00D726462S

(12) **United States Design Patent**  
**Normand**

(10) **Patent No.:** **US D726,462 S**  
(45) **Date of Patent:** **\*\* Apr. 14, 2015**

(54) **SHELF WITH LABELS**

(71) Applicant: **Christophe Normand**, Miami, FL (US)

(72) Inventor: **Christophe Normand**, Miami, FL (US)

(\*\*) Term: **14 Years**

(21) Appl. No.: **29/515,325**

(22) Filed: **Jan. 21, 2015**

(51) **LOC (10) Cl.** ..... **06-06**

(52) **U.S. Cl.**  
USPC ..... **D6/705**

(58) **Field of Classification Search**  
CPC ..... A47F 5/0018; A47B 57/00  
USPC ..... D6/477-479, 491, 509-511, 705;  
108/61, 92-93, 161; 211/85.1, 85.4,  
211/55, 134, 153, 183-184, 187-188;  
312/114, 138.1, 280-281, 262  
See application file for complete search history.

(56) **References Cited**

**U.S. PATENT DOCUMENTS**

4,938,442	A	*	7/1990	Mastrodicasa	.....	248/250
D386,921	S	*	12/1997	Wikman	.....	D6/512
D402,836	S	*	12/1998	Waddell	.....	D6/509
6,783,197	B1	*	8/2004	Balogh	.....	312/259
D510,220	S	*	10/2005	Sandy	.....	D6/511
D511,535	S	*	11/2005	Grobleben	.....	D15/89

D513,041	S	*	12/2005	Lowry	.....	D20/44
D541,563	S	*	5/2007	LaBonia et al.	.....	D6/511
D561,018	S	*	2/2008	Frank	.....	D8/395
D643,656	S	*	8/2011	Golias et al.	.....	D6/511
D660,059	S	*	5/2012	Nilsson	.....	D6/511
D677,966	S	*	3/2013	Nafkin	.....	D6/611
D694,046	S	*	11/2013	Walter	.....	D6/705
D696,725	S	*	12/2013	Sasken-Duff et al.	.....	D19/91
D707,067	S	*	6/2014	Basarich et al.	.....	D6/705
D714,867	S	*	10/2014	Bodziak et al.	.....	D19/86
D716,870	S	*	11/2014	Jungst	.....	D19/91

\* cited by examiner

*Primary Examiner* — Kelley Donnelly

(74) *Attorney, Agent, or Firm* — Mark Terry

(57) **CLAIM**

The ornamental design for a shelf with labels, as shown and described.

**DESCRIPTION**

FIG. 1 is a top view of a shelf with labels, showing the new design;

FIG. 2 is a bottom view thereof;

FIG. 3 is a side view thereof;

FIG. 4 is a front view thereof;

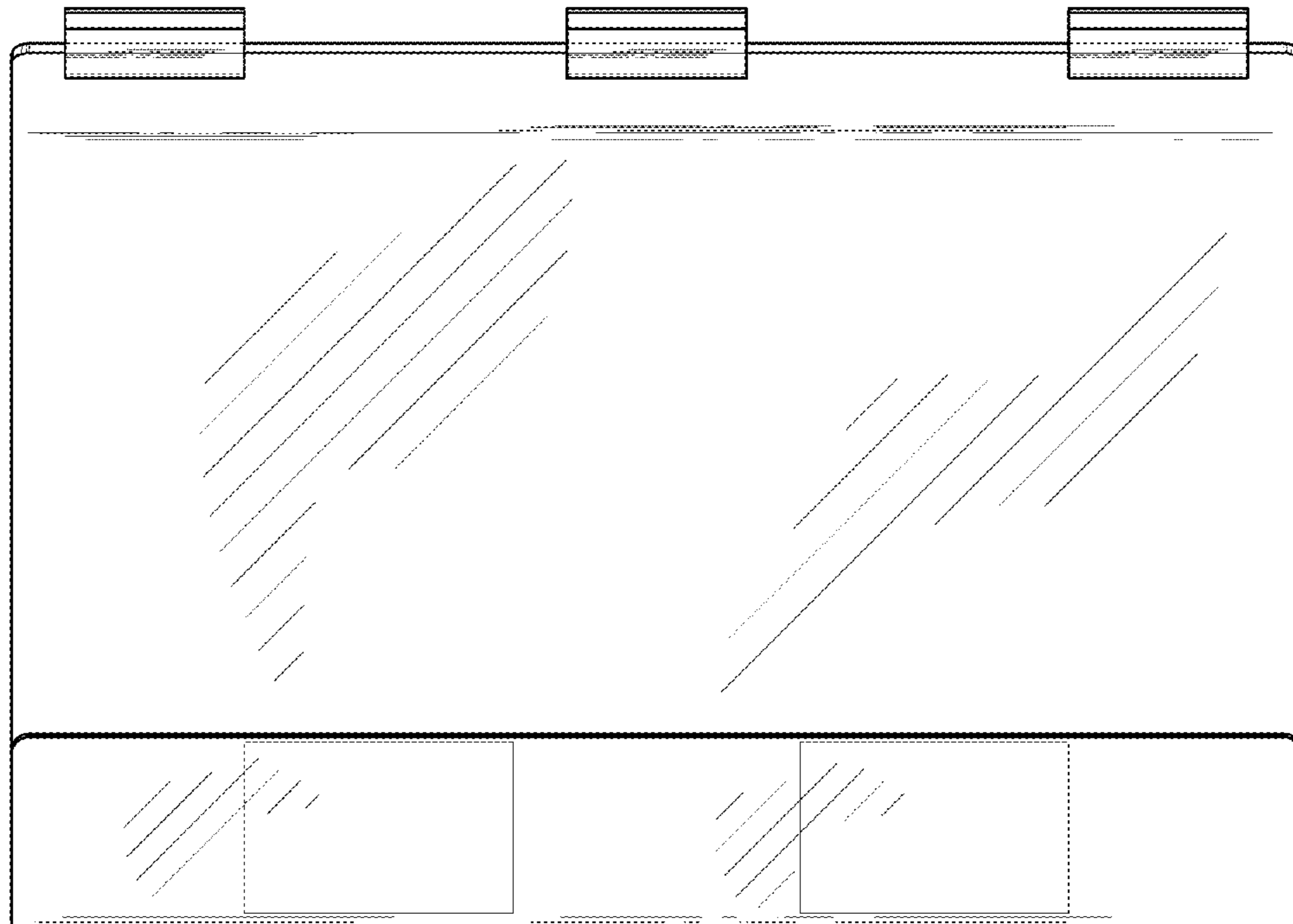
FIG. 5 is a rear view thereof;

FIG. 6 is a top perspective view thereof;

FIG. 7 is a bottom perspective view thereof; and,

FIG. 8 is a rear perspective view thereof.

**1 Claim, 3 Drawing Sheets**



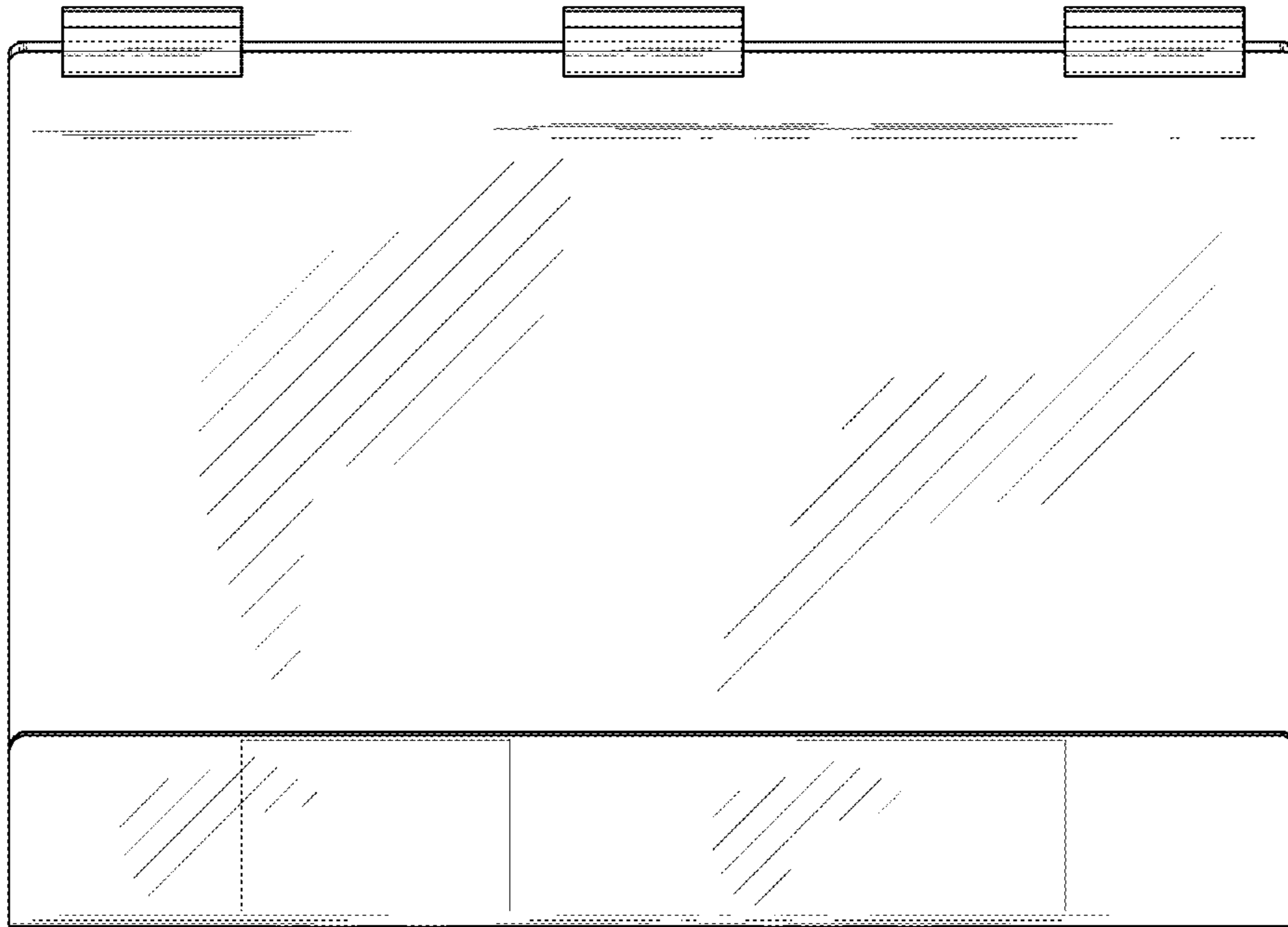


Fig. 1

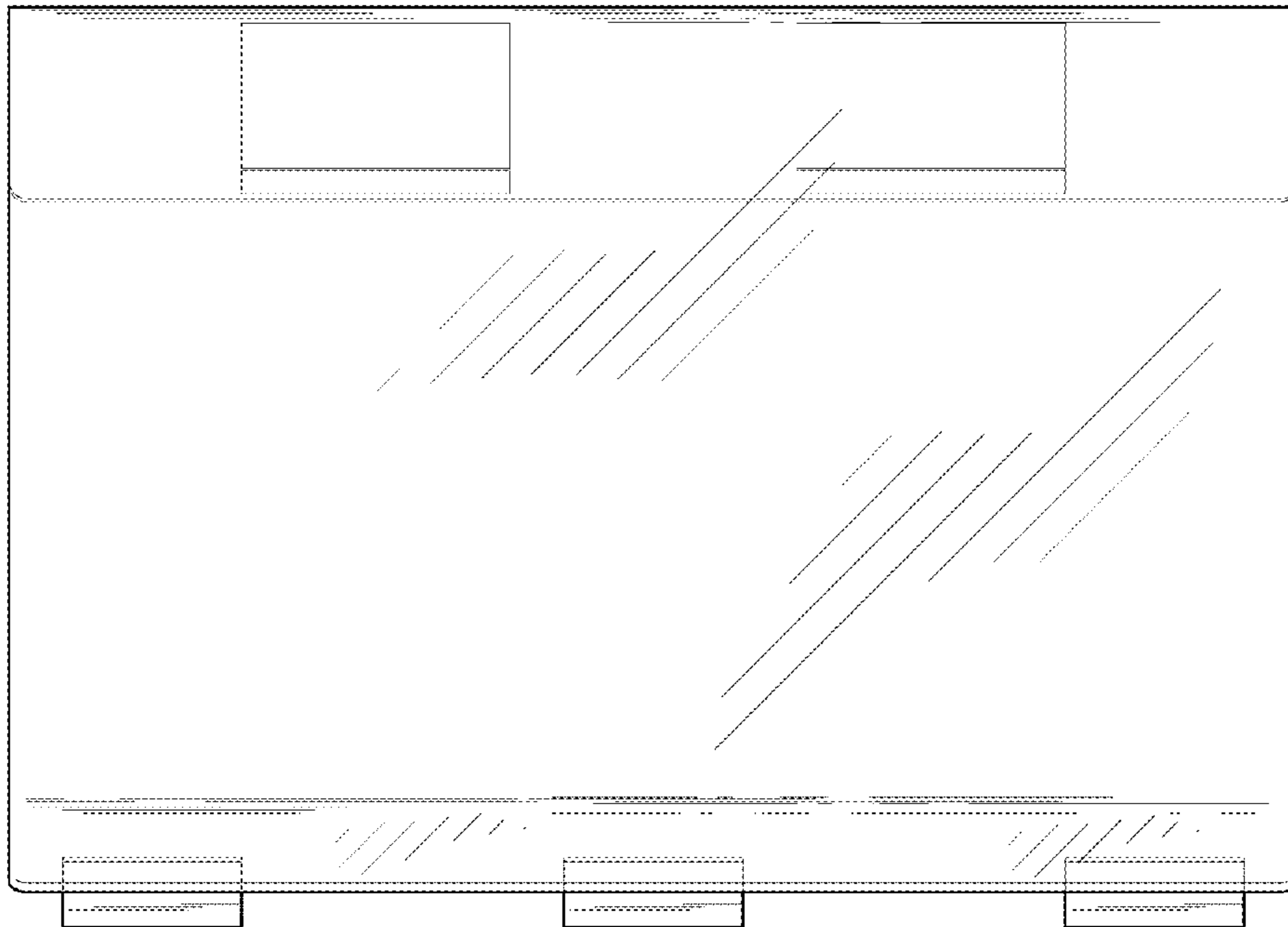


Fig. 2



Fig. 3

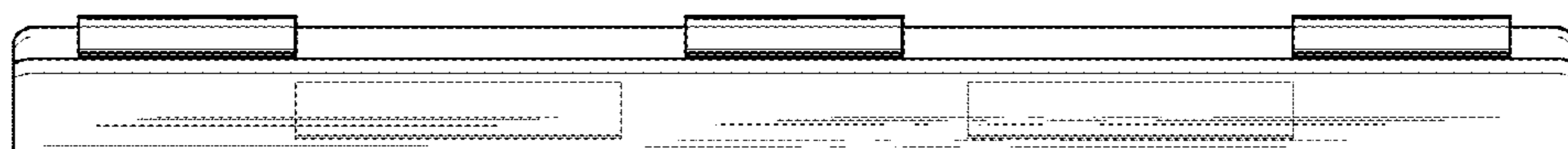


Fig. 4

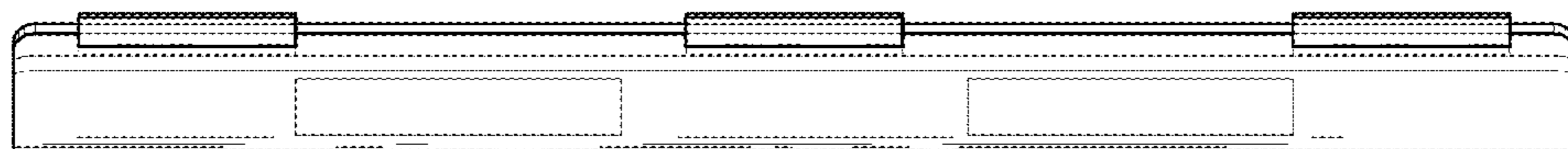


Fig. 5

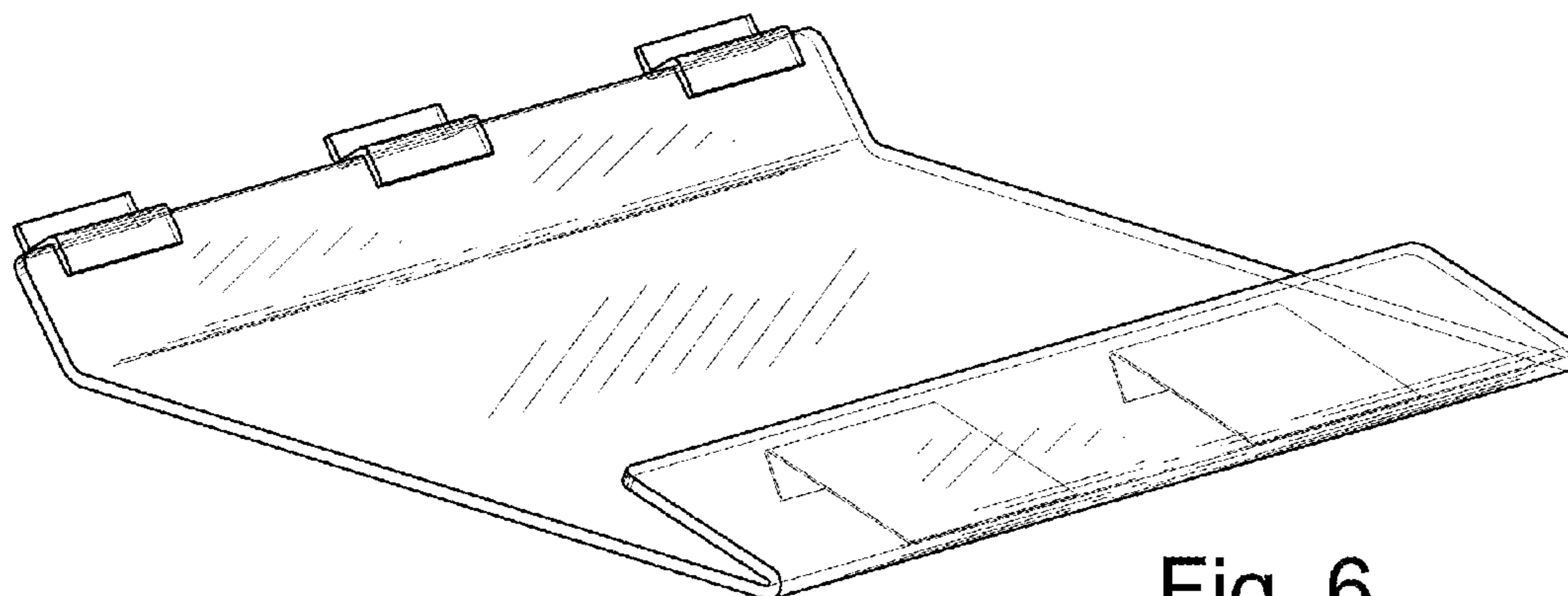


Fig. 6

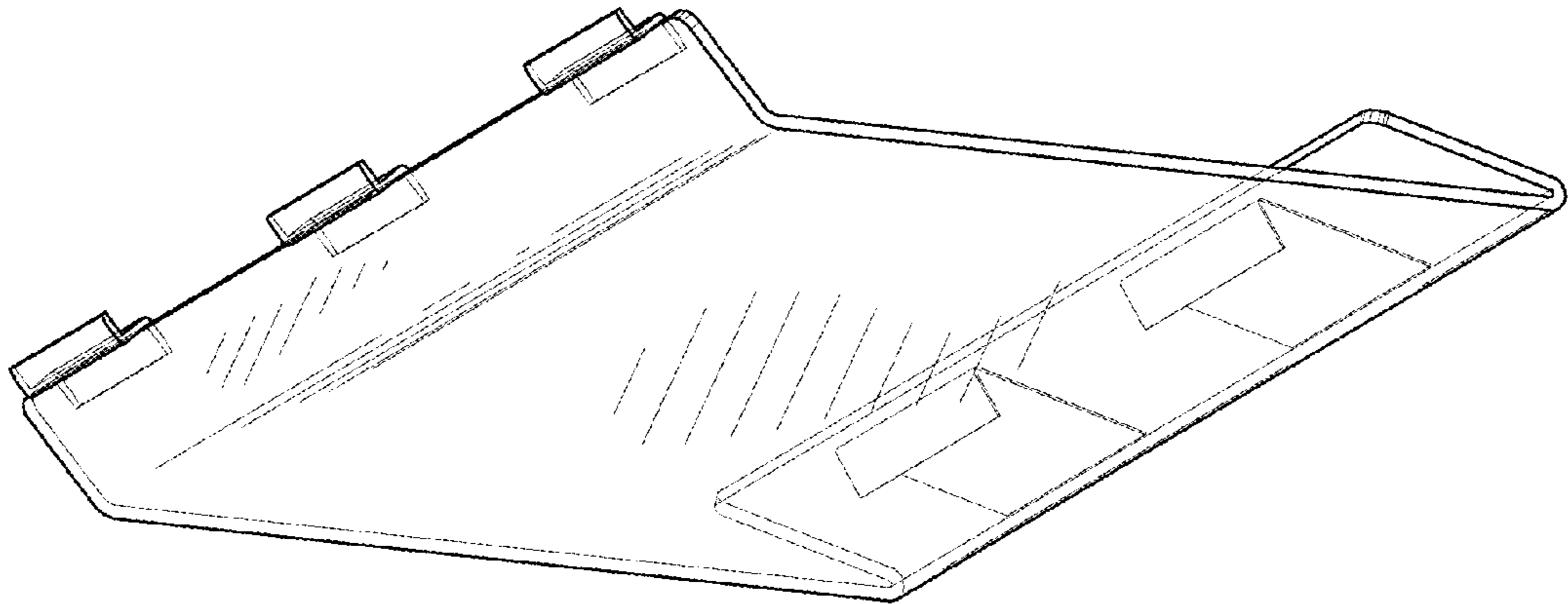


Fig. 7

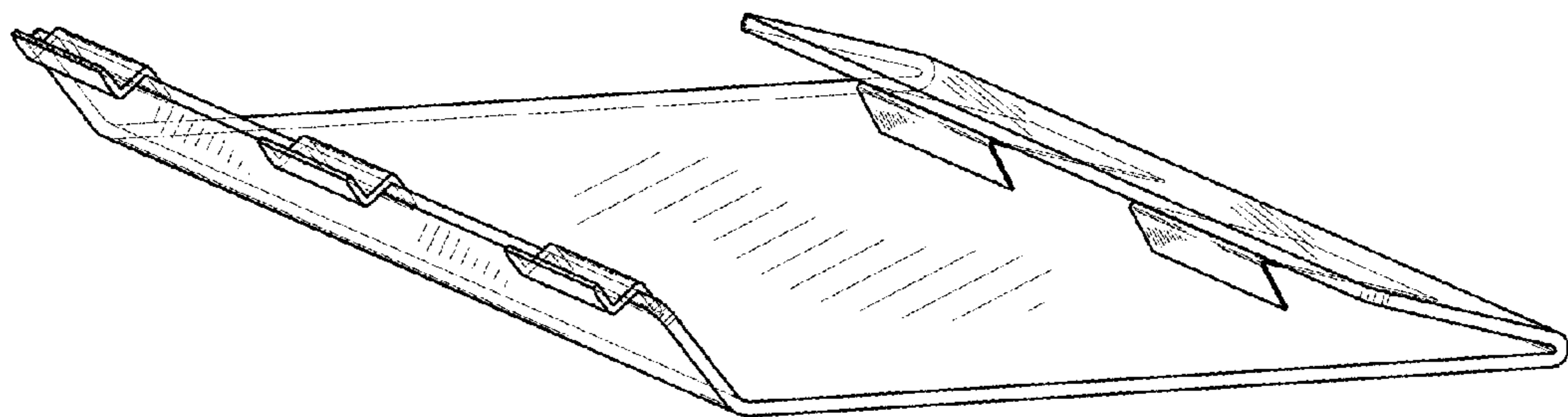


Fig. 8