



US00D726459S

(12) **United States Design Patent**  
**Hawkins**

(10) **Patent No.:** **US D726,459 S**  
(45) **Date of Patent:** **\*\* Apr. 14, 2015**

- (54) **DISPLAY SHELF**
- (71) Applicant: **Target Brands, Inc.**, Minneapolis, MN (US)
- (72) Inventor: **Laura L. Hawkins**, Minneapolis, MN (US)
- (73) Assignee: **Target Brands, Inc.**, Minneapolis, MN (US)
- (\*\*) Term: **14 Years**

D288,879 S *	3/1987	Peggs .....	D6/458
D289,352 S *	4/1987	Sher .....	D6/464
4,953,696 A *	9/1990	Huang et al. ....	206/214
D325,281 S *	4/1992	Jordan .....	D3/302
5,669,498 A *	9/1997	Fierek et al. ....	206/373
D389,673 S *	1/1998	Mulvihill .....	D6/474
D393,554 S	4/1998	Baluk et al.	
D403,537 S	1/1999	Connor et al.	
D418,947 S *	1/2000	Greiner .....	D28/73
D421,195 S *	2/2000	Pezzullo .....	D6/460
D489,198 S *	5/2004	Mason et al. ....	D6/461
7,156,226 B1 *	1/2007	Van Sickle .....	206/216
D568,068 S *	5/2008	Riesenberg .....	D6/476
D652,462 S	1/2012	Sun	

(Continued)

- (21) Appl. No.: **29/498,503**
- (22) Filed: **Aug. 5, 2014**
- (51) **LOC (10) Cl.** ..... **06-06**
- (52) **U.S. Cl.**  
USPC ..... **D6/683.1**
- (58) **Field of Classification Search**  
CPC ..... A47F 5/0018; A47B 57/00  
USPC ..... D6/396-397, 431, 449, 466, 470,  
D6/477-479, 574, 672, 678, 678.1, 683,  
D6/683.1; 211/134, 187, 193, 85.2, 85.29,  
211/49.1, 50, 42-43, 207; D14/126-129;  
108/91-93, 107, 149-151  
See application file for complete search history.

**OTHER PUBLICATIONS**

Pending U.S. Appl. No. 29/498,243, filed Aug. 1, 2014, entitled Display Fixture, 3 pages.

*Primary Examiner* — Kelley Donnelly

(74) *Attorney, Agent, or Firm* — Leanne Taveggia Farrell; Westman, Champlin & Koehler, P.A.

(57) **CLAIM**

The ornamental design for a display shelf, as shown and described.

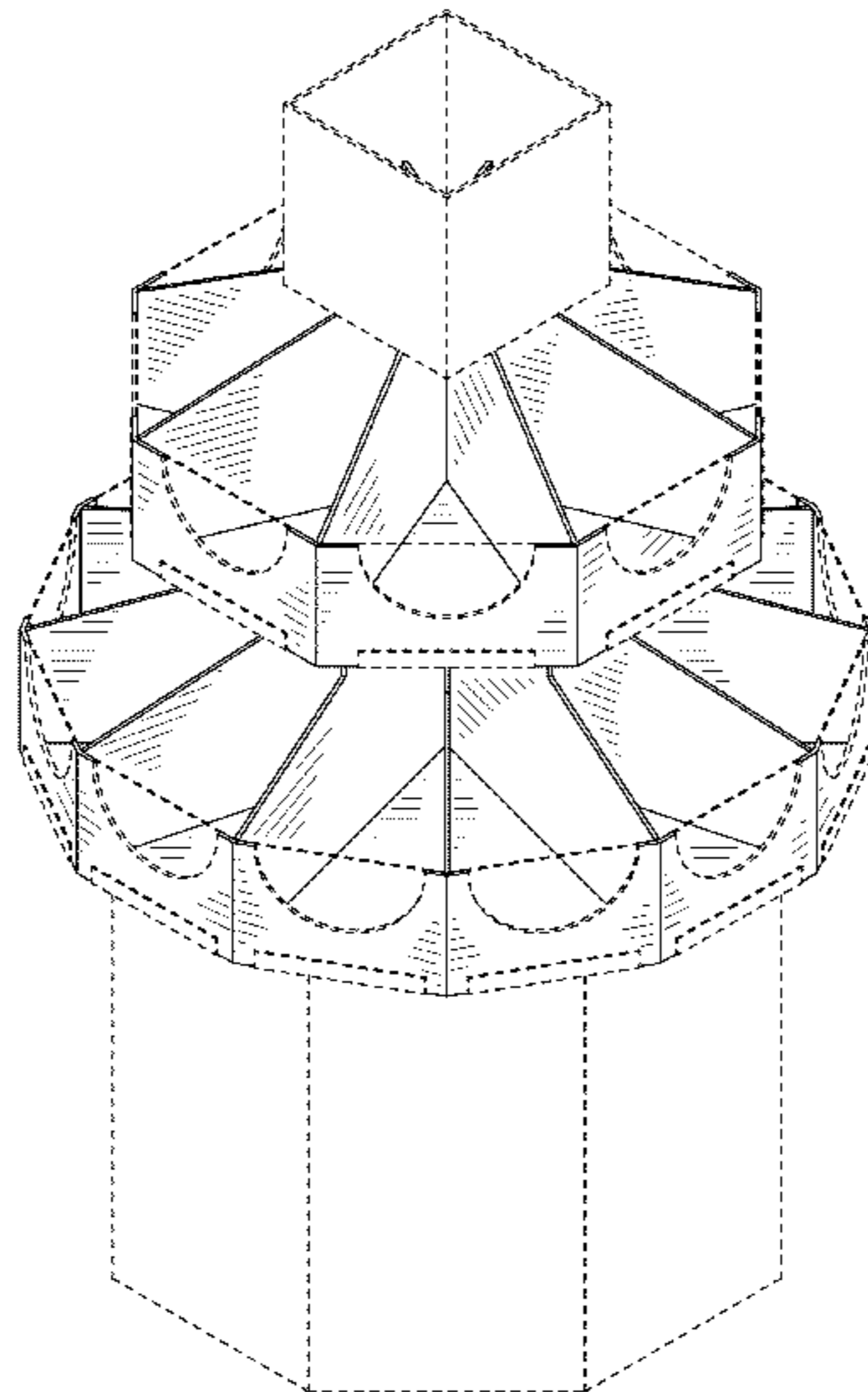
**DESCRIPTION**

FIG. 1 is a front perspective view of a display shelf showing my new design;  
 FIG. 2 is a back perspective view thereof;  
 FIG. 3 is a front view thereof, the back view, the right side view and the left side view being identical;  
 FIG. 4 is a top view thereof; and,  
 FIG. 5 is a section view thereof taken through the line indicated in FIG. 3.  
 The broken lines shown in the drawings are included for purposes of illustrating portions of the display shelf and form no part of the claimed design.

**1 Claim, 5 Drawing Sheets**

(56) **References Cited**  
U.S. PATENT DOCUMENTS

D65,722 S *	10/1924	Bennett .....	D7/590
1,662,637 A *	3/1928	Chase .....	211/59.2
2,174,715 A *	10/1939	Baker .....	211/49.1
D177,355 S *	4/1956	Wallace .....	D6/461
D201,265 S *	6/1965	Lovejoy et al. ....	D6/457
D209,240 S *	11/1967	Plogsted .....	D9/755
3,675,620 A *	7/1972	Baustin .....	116/308
D243,658 S *	3/1977	Schneider .....	D6/457
D249,608 S *	9/1978	Wright .....	D6/460
D260,337 S *	8/1981	Thompson .....	D6/473
D264,907 S *	6/1982	Barnhill .....	D6/423
D279,621 S *	7/1985	Richer .....	D3/20



(56)

**References Cited**

U.S. PATENT DOCUMENTS

D682,583 S 5/2013 Hawkins  
D685,206 S \* 7/2013 Hawkins ..... D6/675.1  
D699,988 S \* 2/2014 Hawkins ..... D6/678.1  
8,915,391 B2 \* 12/2014 Radow ..... 220/23.83

2003/0196970 A1\* 10/2003 Jiang ..... 211/40  
2004/0055982 A1\* 3/2004 Jennings ..... 211/126.2  
2008/0314849 A1\* 12/2008 Duchatellier ..... 211/86.01  
2014/0158654 A1 6/2014 Hawkins et al.  
2014/0158655 A1 6/2014 Hawkins

\* cited by examiner

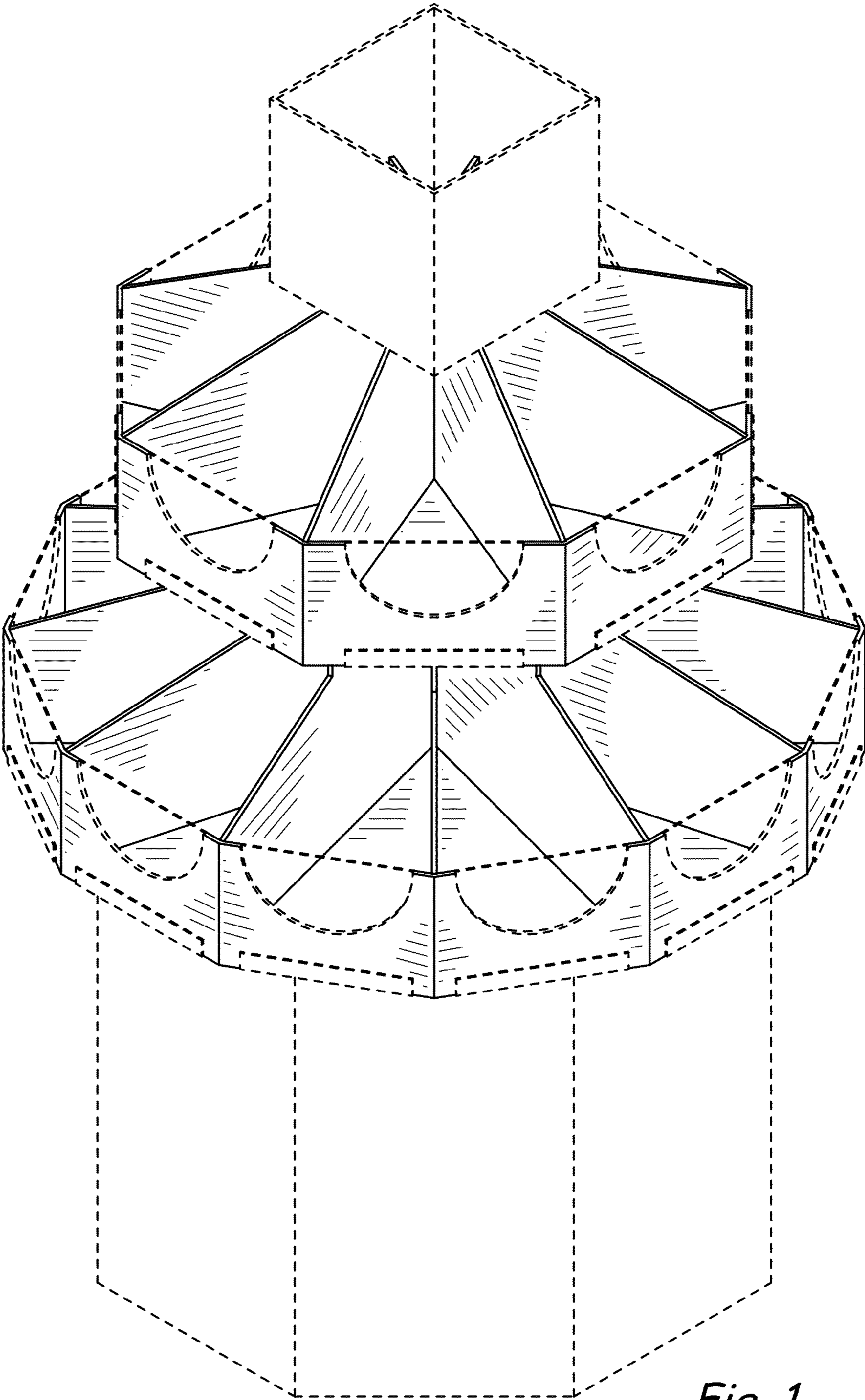


Fig. 1

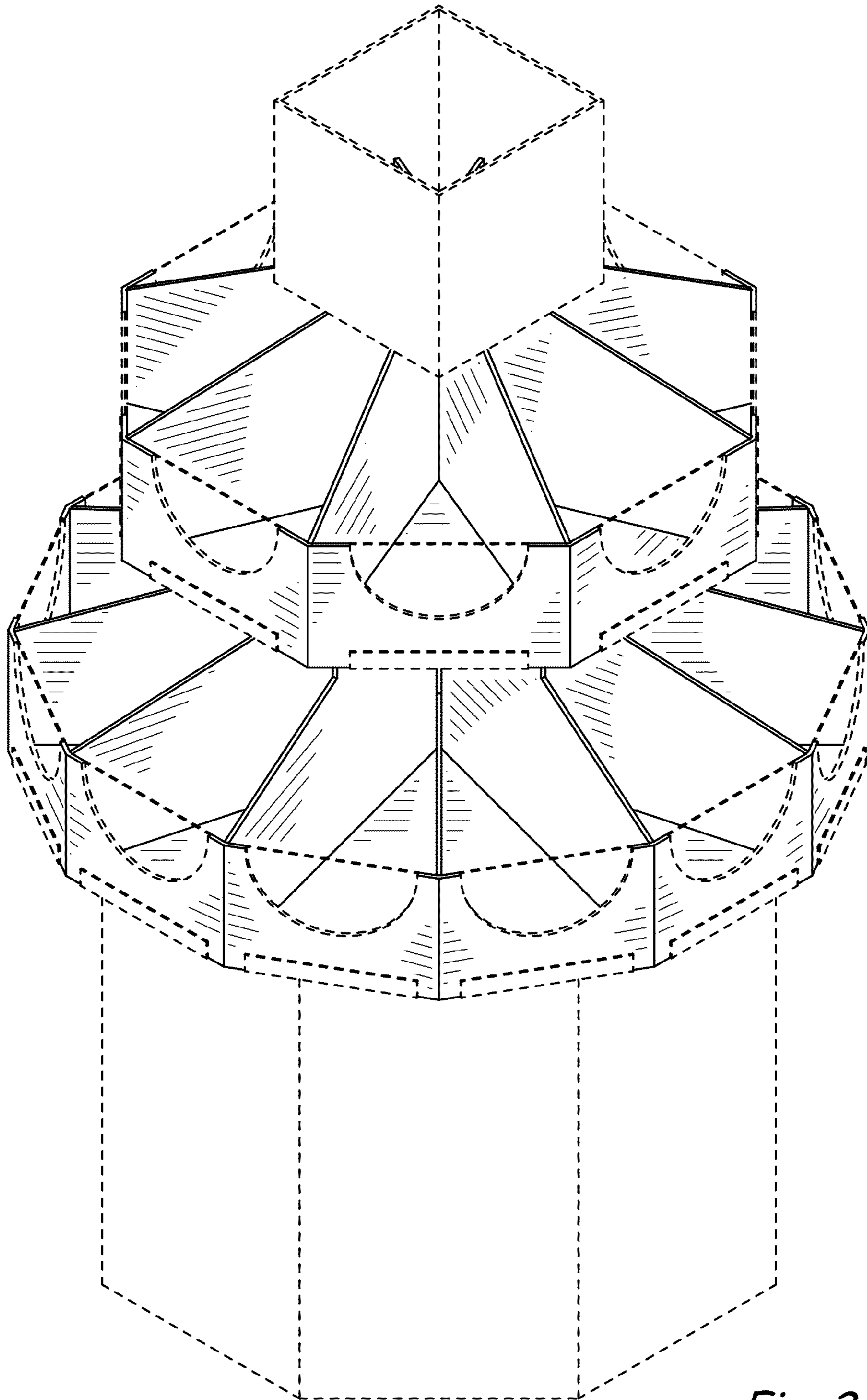


Fig. 2



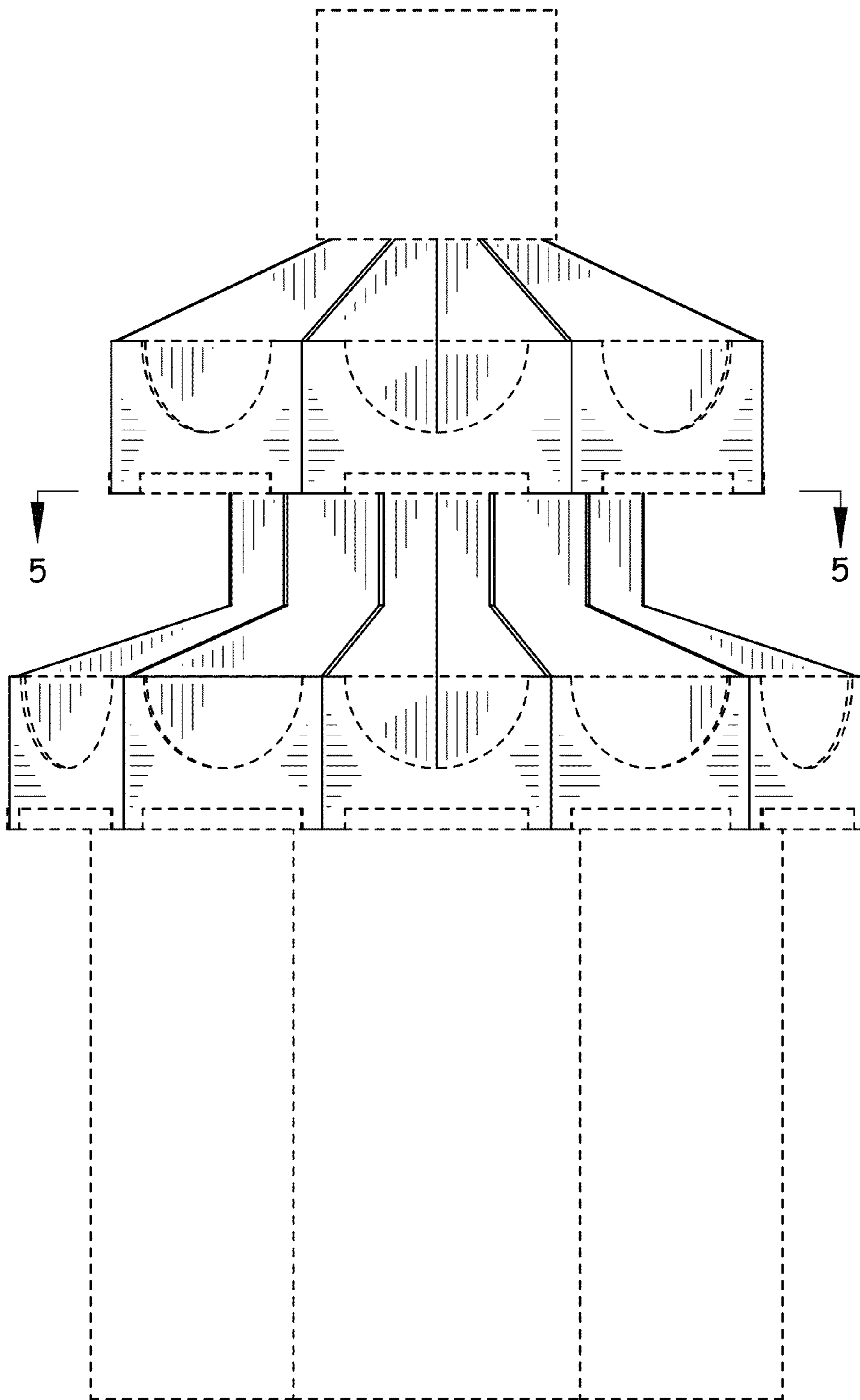
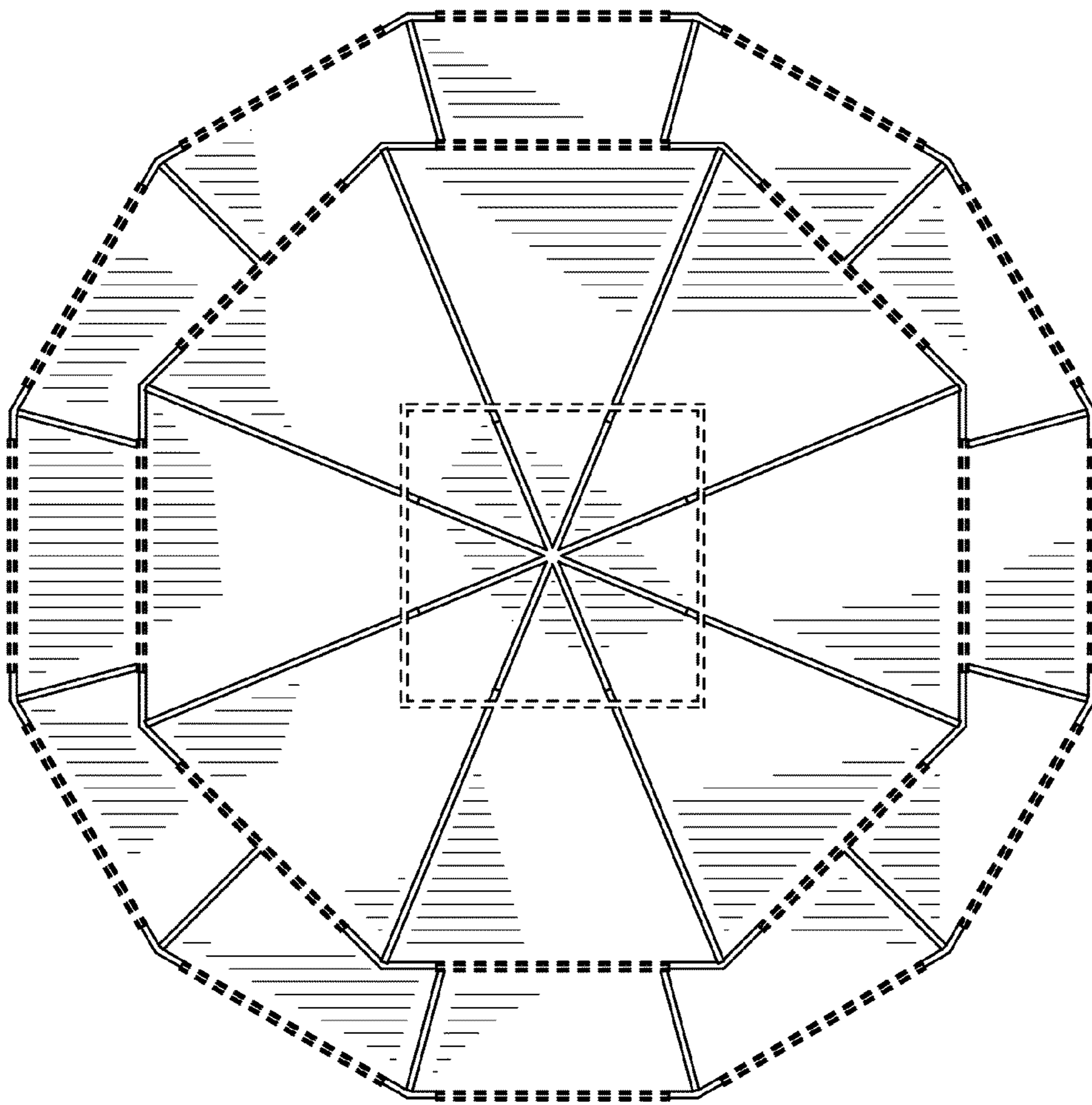
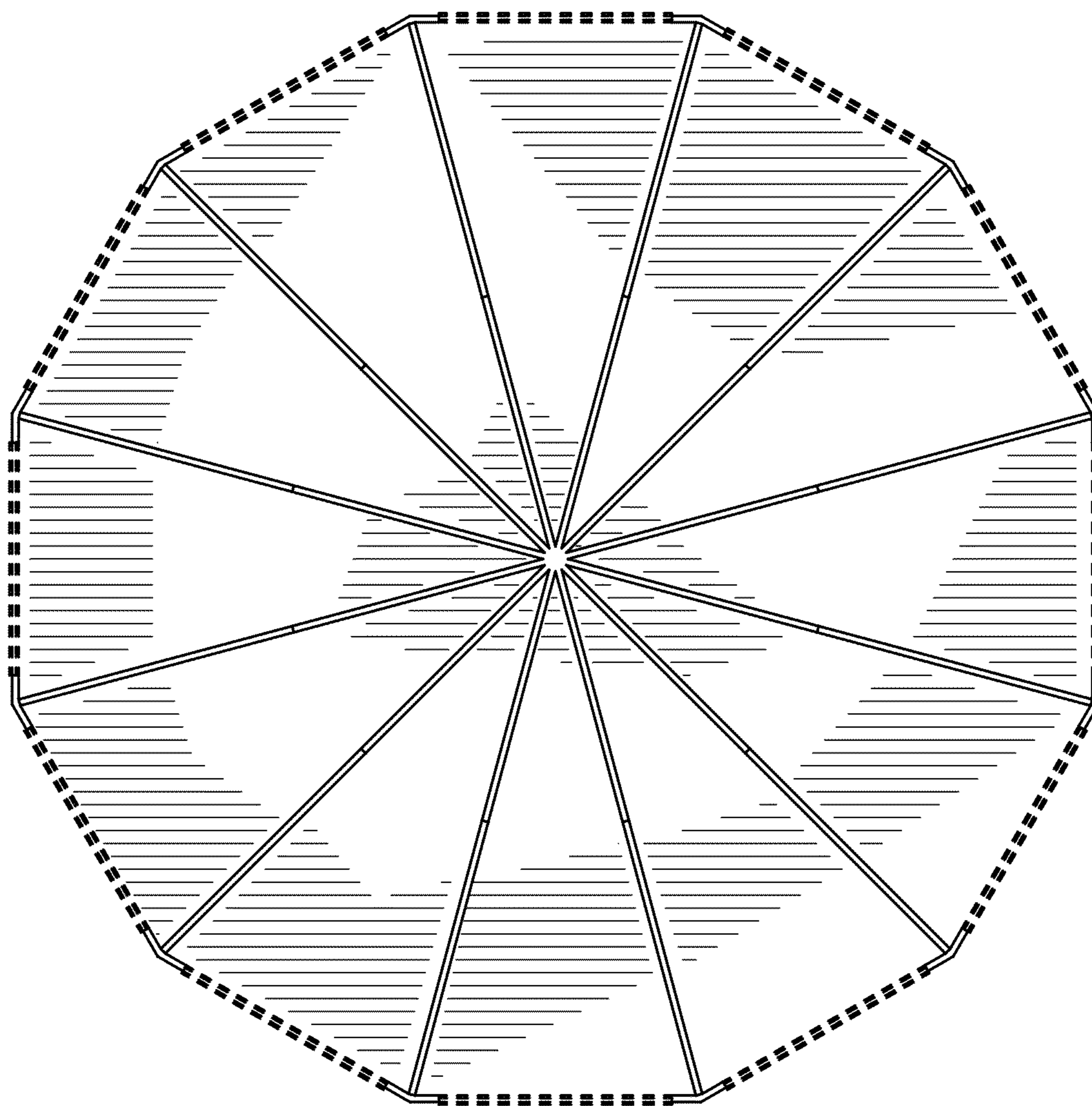


Fig. 3



*Fig. 4*



*Fig. 5*