

US00D726457S

(12) **United States Design Patent**
McDowell et al.

(10) **Patent No.:** **US D726,457 S**
(45) **Date of Patent:** **** Apr. 14, 2015**

(54) **DISPLAY SHELF**

(71) Applicant: **Target Brands, Inc.**, Minneapolis, MN (US)

(72) Inventors: **Daniel K. McDowell**, Minneapolis, MN (US); **Matthew D. Peterson**, Elk River, MN (US)

(73) Assignee: **Target Brands, Inc.**, Minneapolis, MN (US)

(**) Term: **14 Years**

(21) Appl. No.: **29/509,607**

(22) Filed: **Nov. 19, 2014**

(51) **LOC (10) Cl.** **06-06**

(52) **U.S. Cl.**
USPC **D6/678.4**

(58) **Field of Classification Search**
CPC A47B 57/00; A47B 55/02
USPC D6/320, 326-327, 328, 449, 672-673, D6/678, 678.4; 211/85.3, 30, 32, 49.1, 211/90.01, 90.03, 94.01, 106
See application file for complete search history.

(56) **References Cited**

U.S. PATENT DOCUMENTS

2,527,277	A *	10/1950	Schade	211/42
D323,440	S *	1/1992	Bustos	D6/574
6,334,540	B1 *	1/2002	Plutsky	211/43
D472,746	S *	4/2003	Hall	D6/503
D474,923	S *	5/2003	Johnson	D6/475
6,726,035	B2 *	4/2004	Zadak	211/90.03
D544,251	S *	6/2007	Daugherty et al.	D6/463
D551,007	S *	9/2007	Trinko	D6/566
D553,454	S *	10/2007	Goodman et al.	D7/704
D651,437	S *	1/2012	Zurn	D6/566
D660,066	S *	5/2012	Webb et al.	D6/566
D680,361	S *	4/2013	Zobel et al.	D6/705

D711,736	S *	8/2014	Strom et al.	D9/416
D720,581	S *	1/2015	Puruganan	D7/704
2002/0008074	A1 *	1/2002	Spencer	211/49.1
2011/0204007	A1 *	8/2011	Golden et al.	211/41.1

OTHER PUBLICATIONS

Fixtures and Displays.com, "Deluxe Chrome Wire Baseball Cap Display for Grid," <http://www.fixturesanddisplays.com/deluxe-wire-baseball-cap-display-for-grid-chrome.html>, at least as early as Oct. 2014, 1 page.

Fixtures and Displays.com, "Deluxe Black Wire Baseball Cap Display for Slatwall," <http://www.fixturesanddisplays.com/deluxe-wire-baseball-cap-display-for-slatwall-black.html>, at least as early as Oct. 2014, 1 page.

* cited by examiner

Primary Examiner — Kelley Donnelly

(74) *Attorney, Agent, or Firm* — Leanne Taveggia Farrell; Westman, Champlin & Koehler, P.A.

(57) **CLAIM**

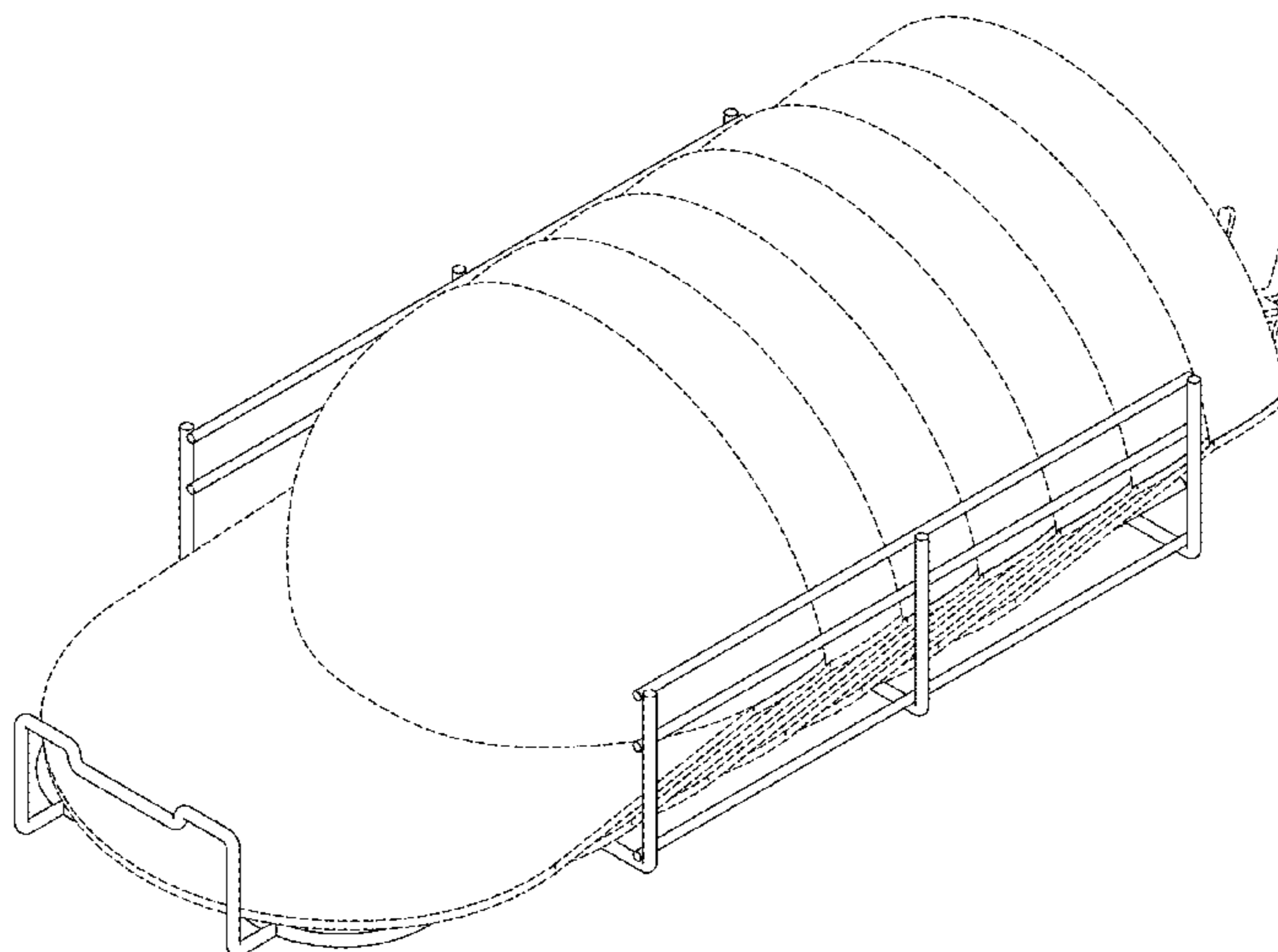
The ornamental design for a display shelf, as shown and described.

DESCRIPTION

FIG. 1 is a perspective view of a display shelf with environment showing our new design; FIG. 2 is a perspective view thereof without environment; FIG. 3 is a front view thereof; FIG. 4 is right side view thereof, the left side view being a mirror image; FIG. 5 is a top view thereof; and, FIG. 6 is a bottom view thereof.

The broken lines shown in the drawings are included for purposes of illustrating environment or portions of the display shelf and form no part of the claimed design.

1 Claim, 5 Drawing Sheets



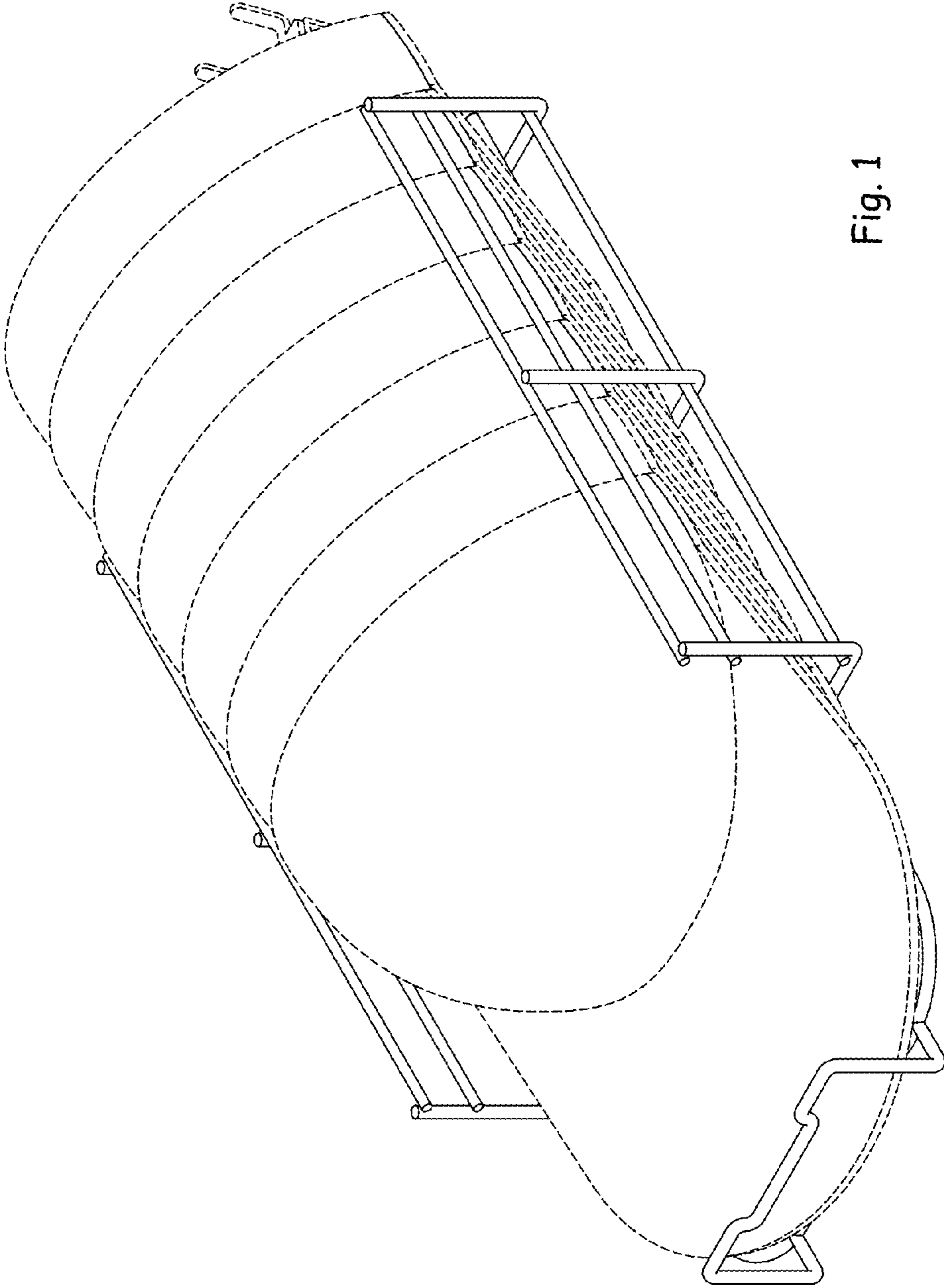


Fig. 1

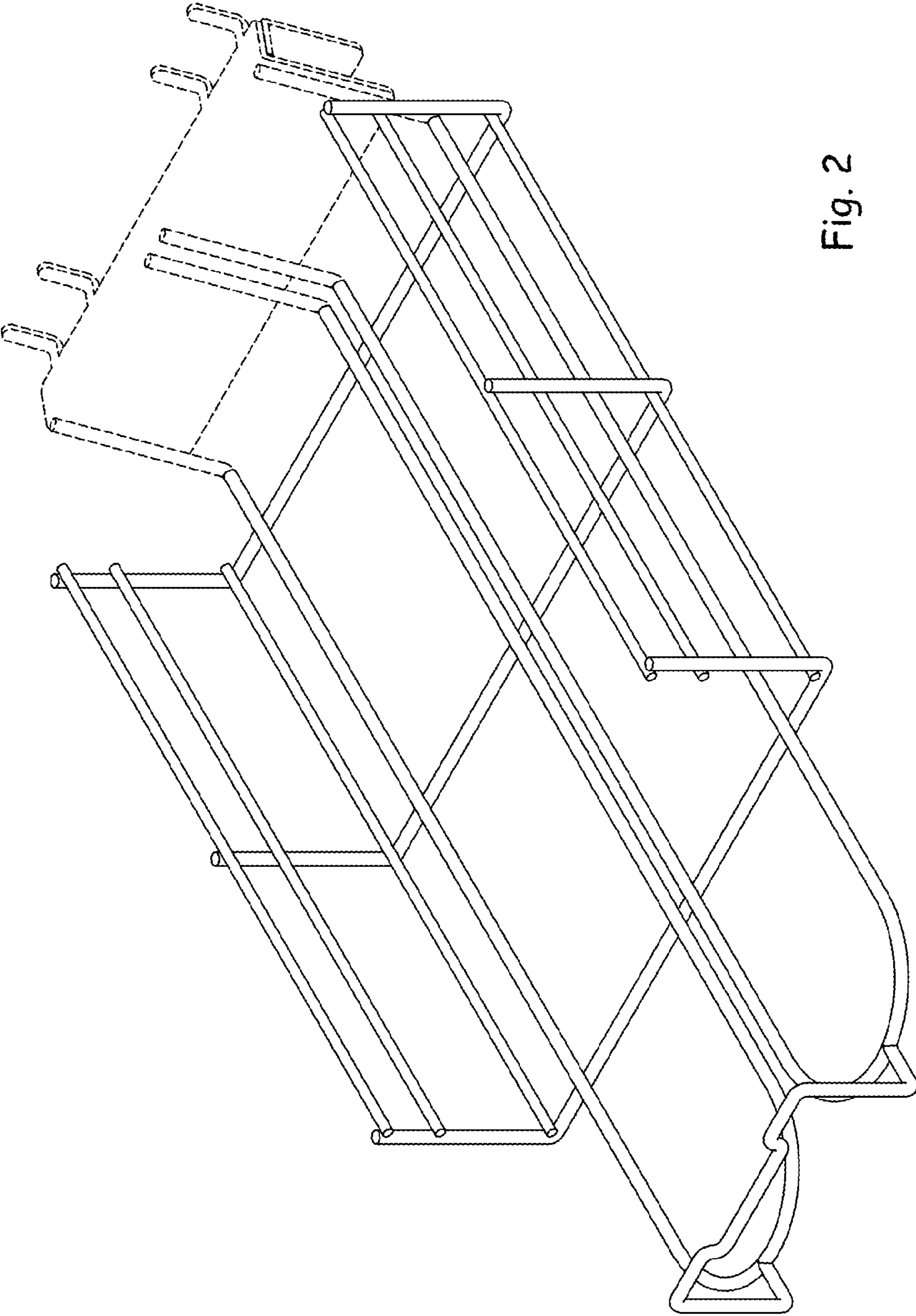


Fig. 2

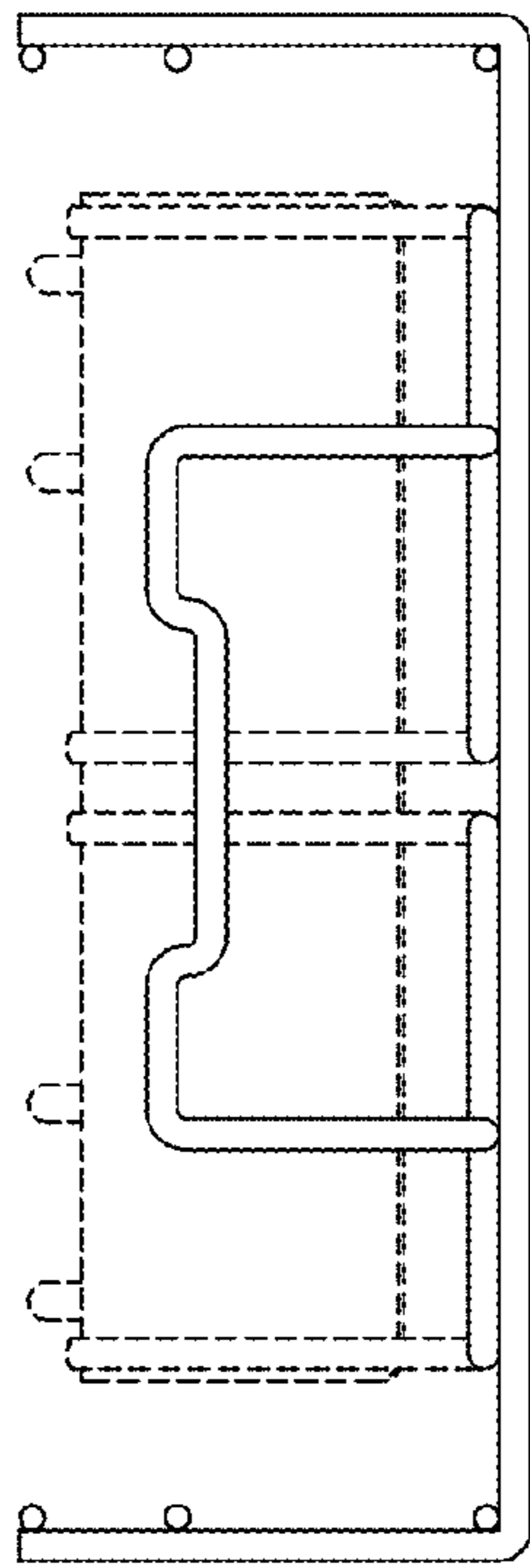


Fig. 3

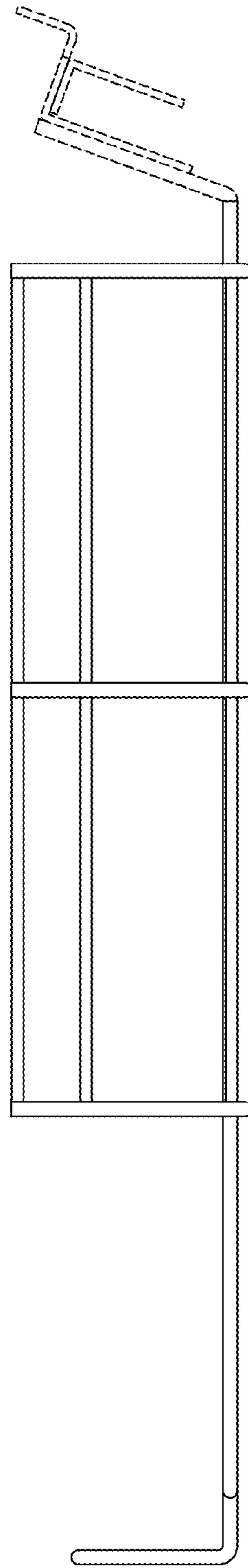


Fig. 4

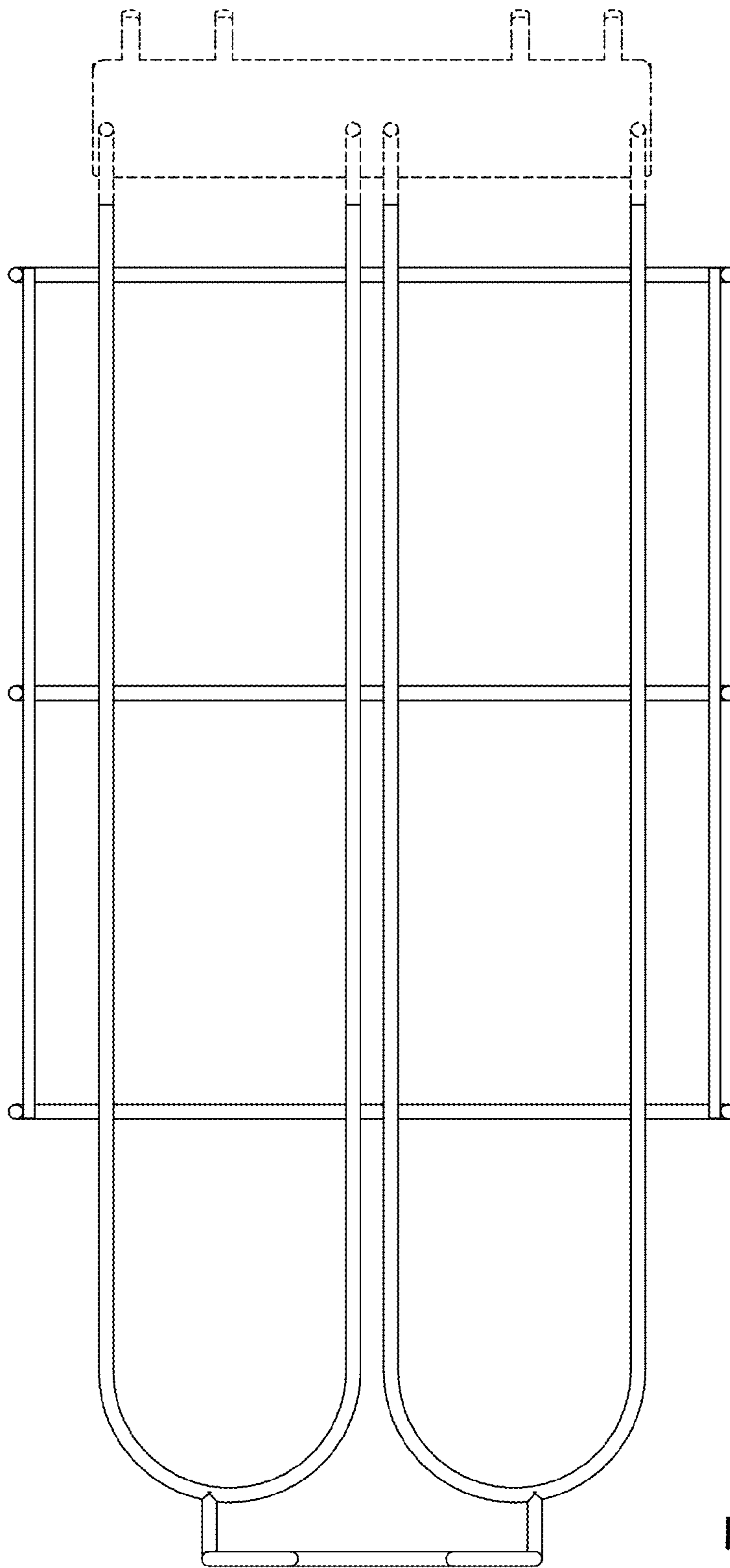


Fig. 5

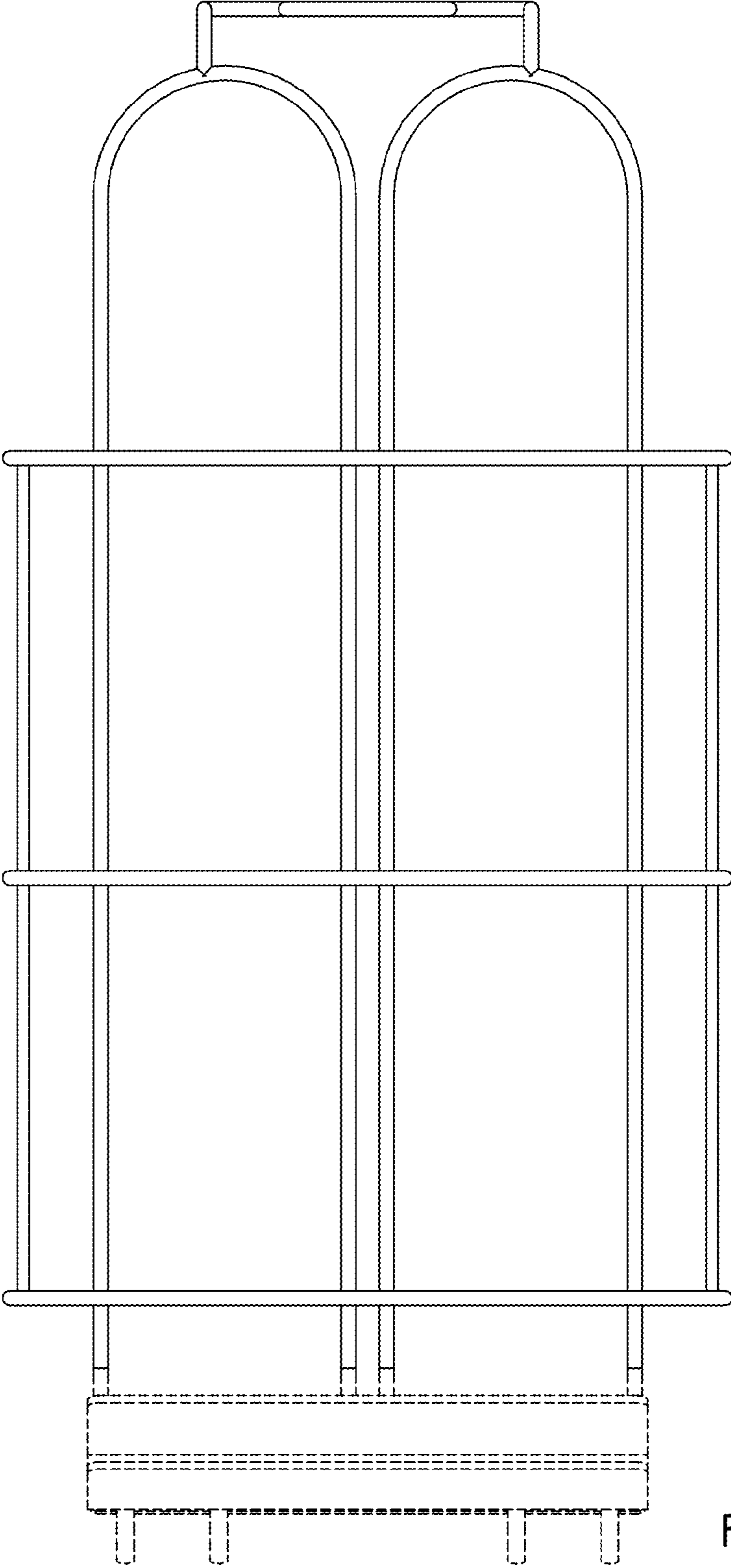


Fig. 6