



US00D726451S

(12) **United States Design Patent**
Lee

(10) **Patent No.:** **US D726,451 S**
(45) **Date of Patent:** **** Apr. 14, 2015**

(54) **SEAT CUSHION**

(71) Applicant: **Deborah Lee**, Olympia, WA (US)

(72) Inventor: **Deborah Lee**, Olympia, WA (US)

(**) Term: **14 Years**

(21) Appl. No.: **29/480,838**

(22) Filed: **Jan. 30, 2014**

(51) **LOC (10) Cl.** **06-09**

(52) **U.S. Cl.**
USPC **D6/601**

(58) **Field of Classification Search**

CPC A47G 9/10; A47G 9/1009; A47G 9/1018;
A47G 9/1027; A47G 9/1036; A47G 9/1045;
A47G 9/1063; A47G 9/1072; A47G 9/1081;
A47G 9/109; A47C 7/021; A47C 27/00
USPC D6/333, 349, 355, 375, 388, 512, 563,
D6/564, 595, 596, 601, 604, 611, 707, 715,
D6/716, 716.1; D24/183-185, 234;
D21/803, 804, 805, 809; 5/401, 420,
5/600, 630, 631, 632, 633, 635, 636, 638,
5/639, 646, 652, 652.1, 655, 703, 730;
128/202.18, 845; 297/1, 2, 4, 93,
297/180.11, 195.1, 195.11, 195.13, 393,
297/397, 452.12, 452.14, 452.15, 452.21,
297/452.24, 452.26, 452.48, 452.62, 482;
441/72, 80, 126, 127, 130

See application file for complete search history.

(56) **References Cited**

U.S. PATENT DOCUMENTS

D286,346 S * 10/1986 Woods D6/502

D292,660 S * 11/1987 Levin D6/502
D295,248 S * 4/1988 Sommerfield et al. D6/601
5,433,505 A * 7/1995 Coyne et al. 297/284.1
6,170,222 B1 * 1/2001 Miller 52/749.12
6,672,660 B2 * 1/2004 Hoshino 297/195.1
D577,229 S * 9/2008 Haaksma D6/500
2008/0150331 A1 * 6/2008 Chen 297/195.11
2014/0152056 A1 * 6/2014 Harstad et al. 297/180.1

* cited by examiner

Primary Examiner — Mary Ann Calabrese

Assistant Examiner — Jennifer L Rempfer

(57) **CLAIM**

The ornamental design for a seat cushion, as shown and described.

DESCRIPTION

FIG. 1 shows a perspective view of the seat cushion of the present invention.

FIG. 2 shows an overhead view of the seat cushion of the present invention.

FIG. 3 shows an underside view of the seat cushion of the present invention.

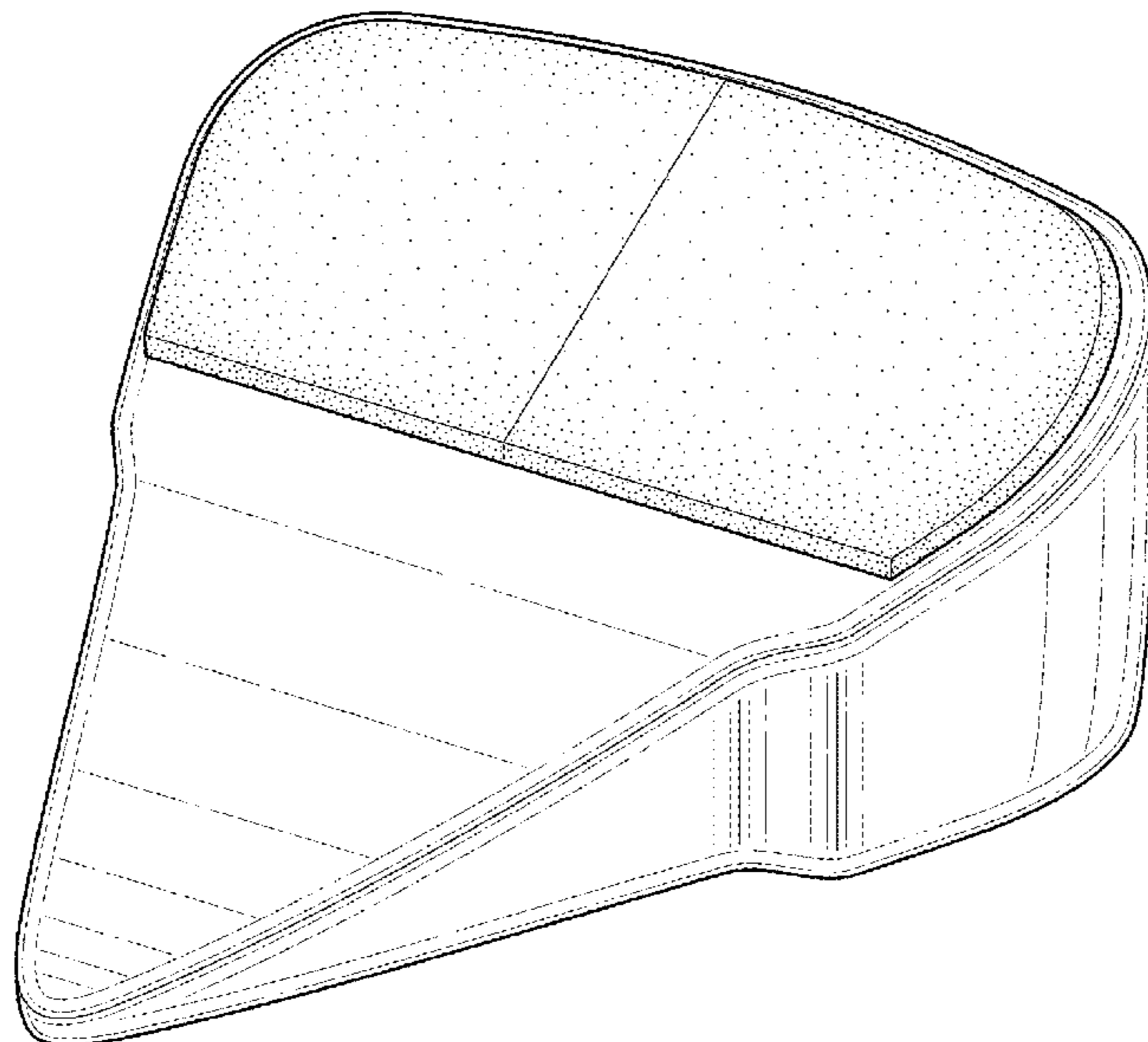
FIG. 4 shows a first side view of the seat cushion of the present invention.

FIG. 5 shows a second side view of the seat cushion of the present invention.

FIG. 6 shows a frontal view of the seat cushion of the present invention; and,

FIG. 7 shows a rear view of the seat cushion of the present invention.

1 Claim, 5 Drawing Sheets



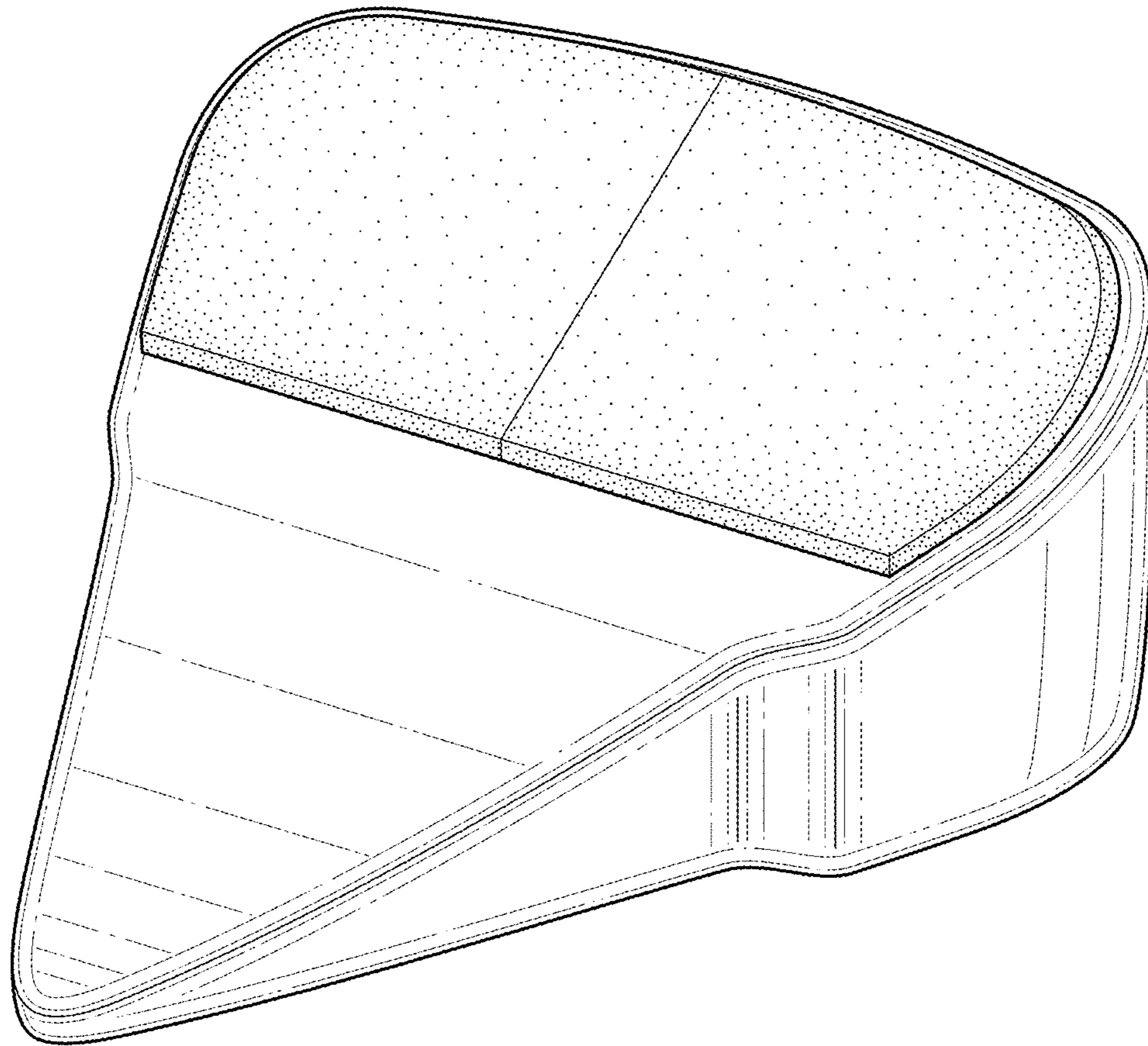


FIG. 1

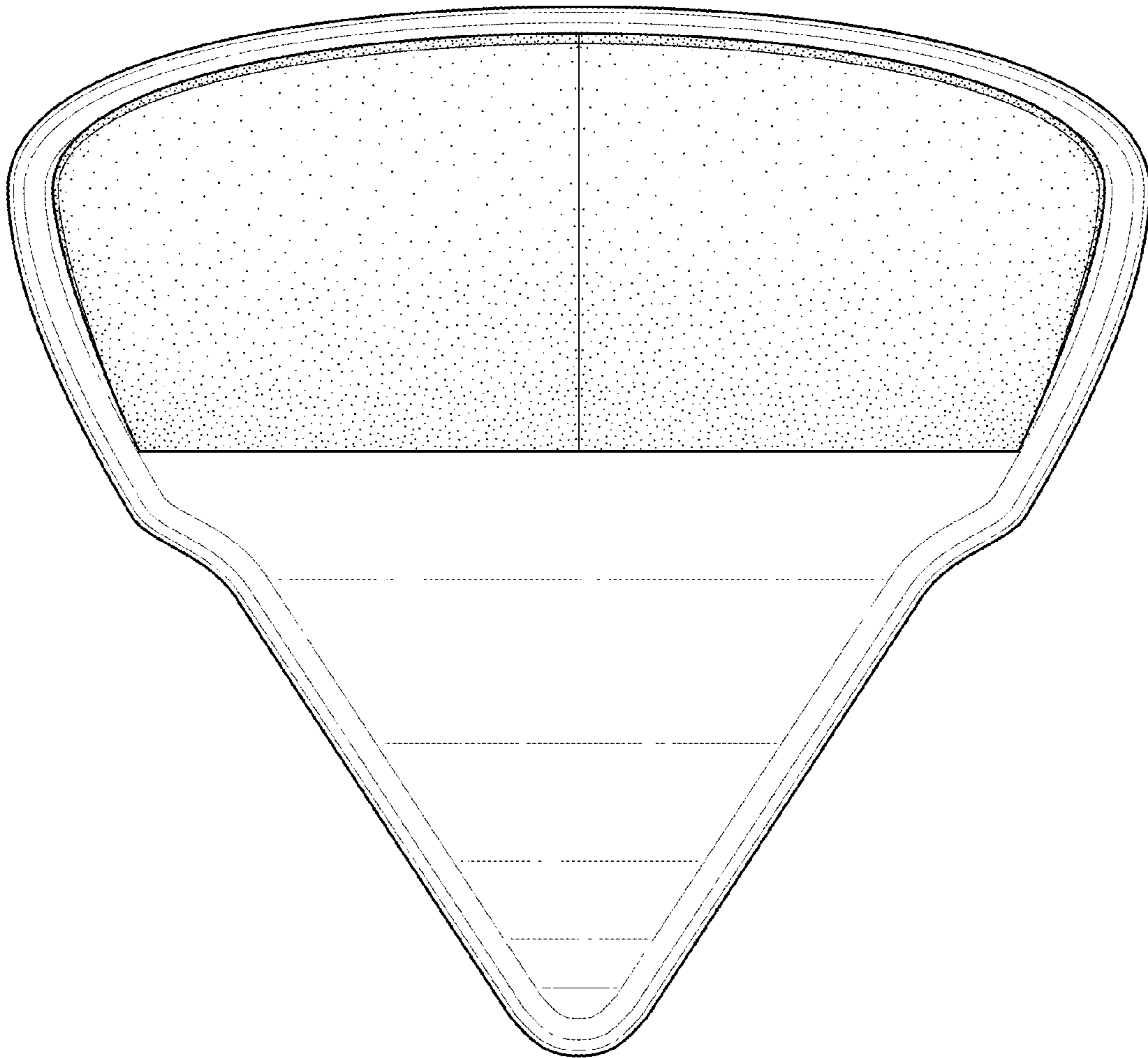


FIG. 2

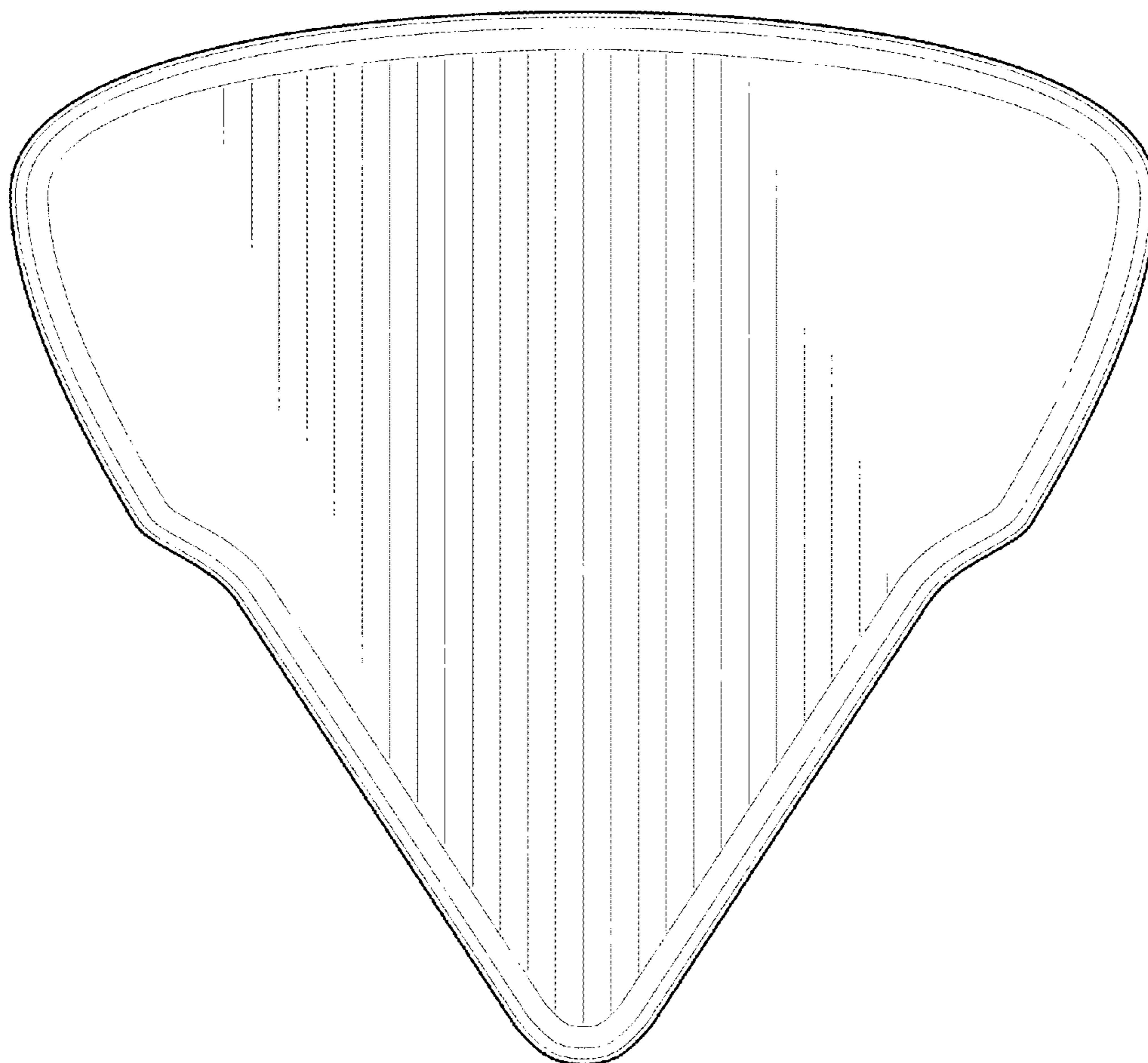


FIG. 3

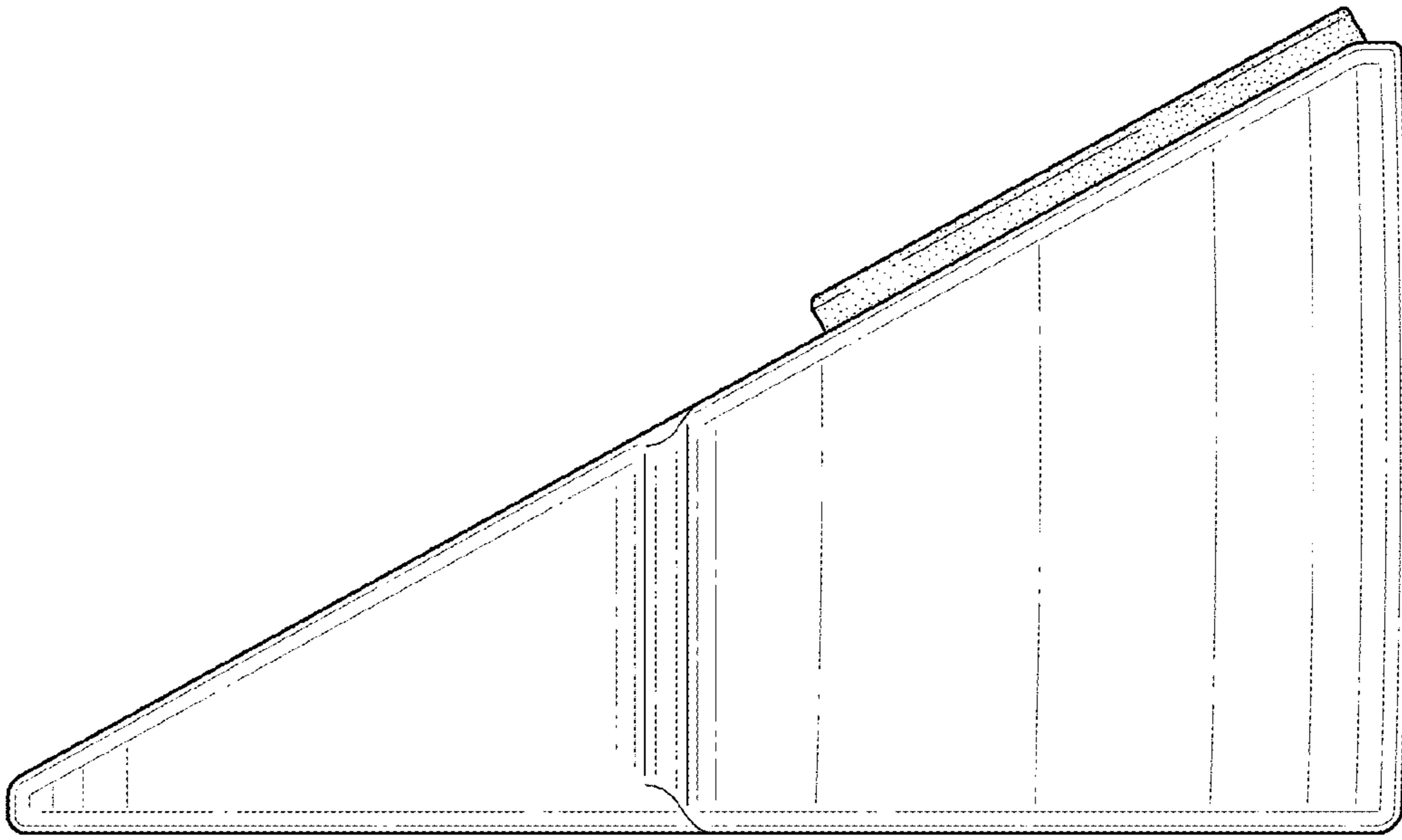


FIG. 4

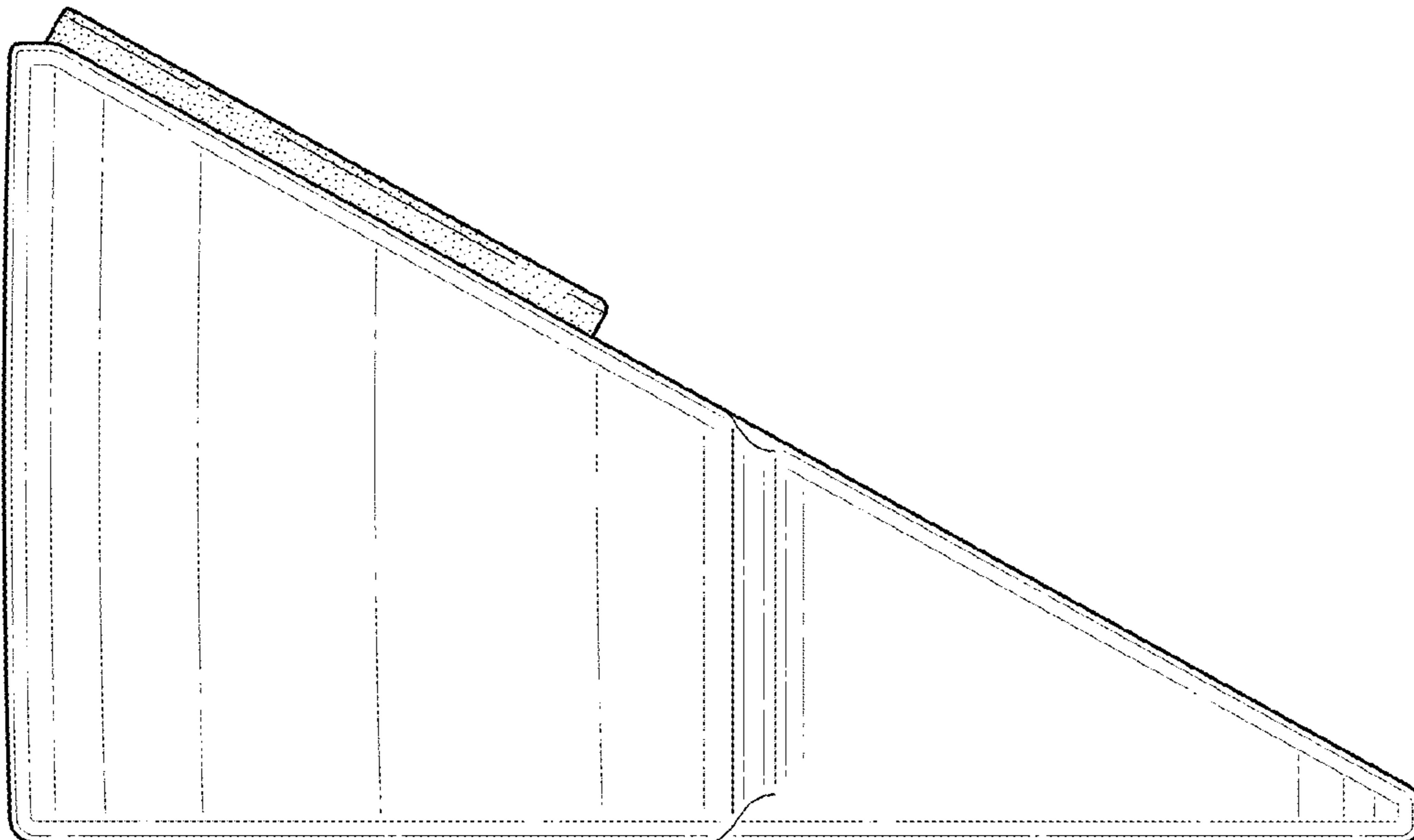


FIG. 5

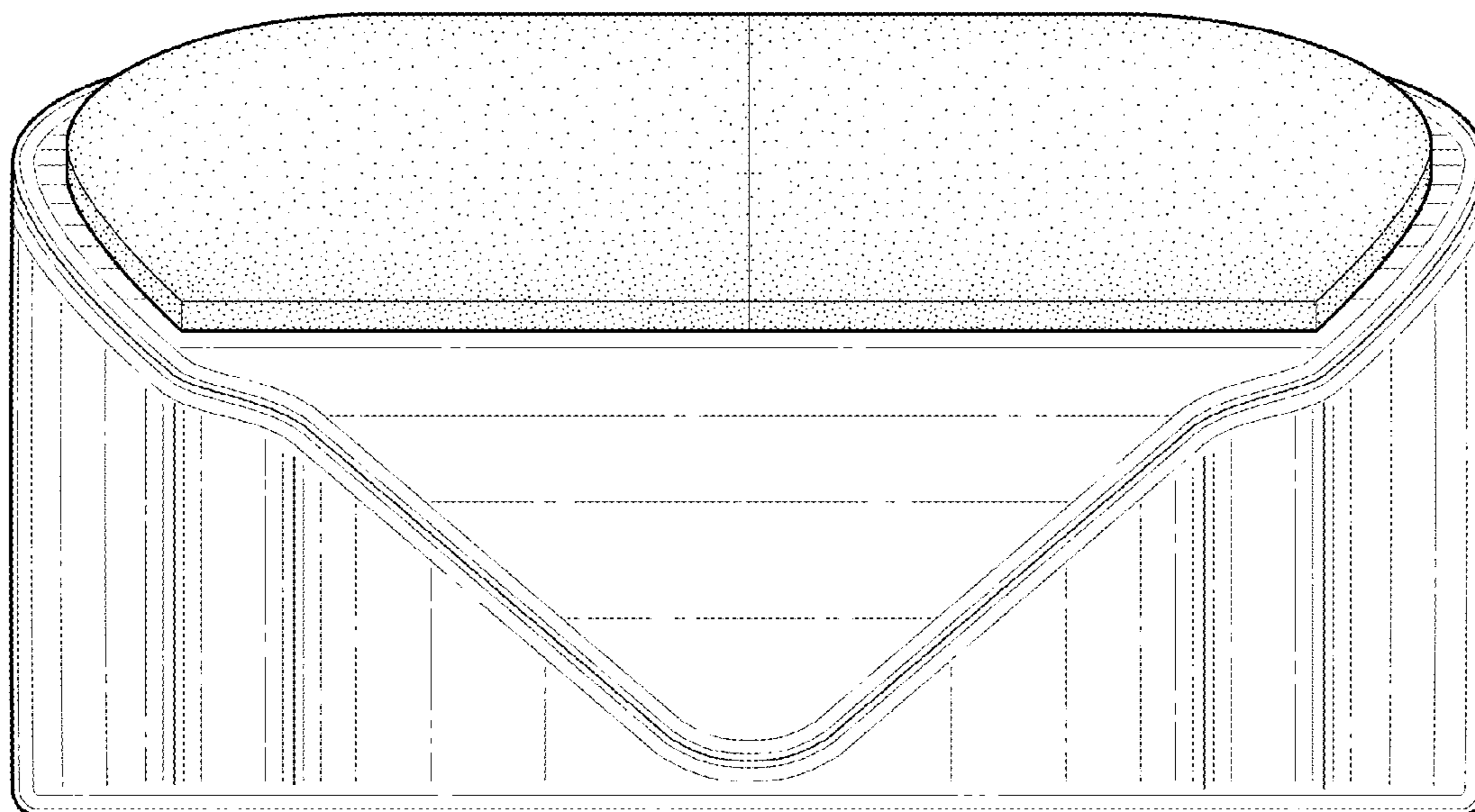


FIG. 6

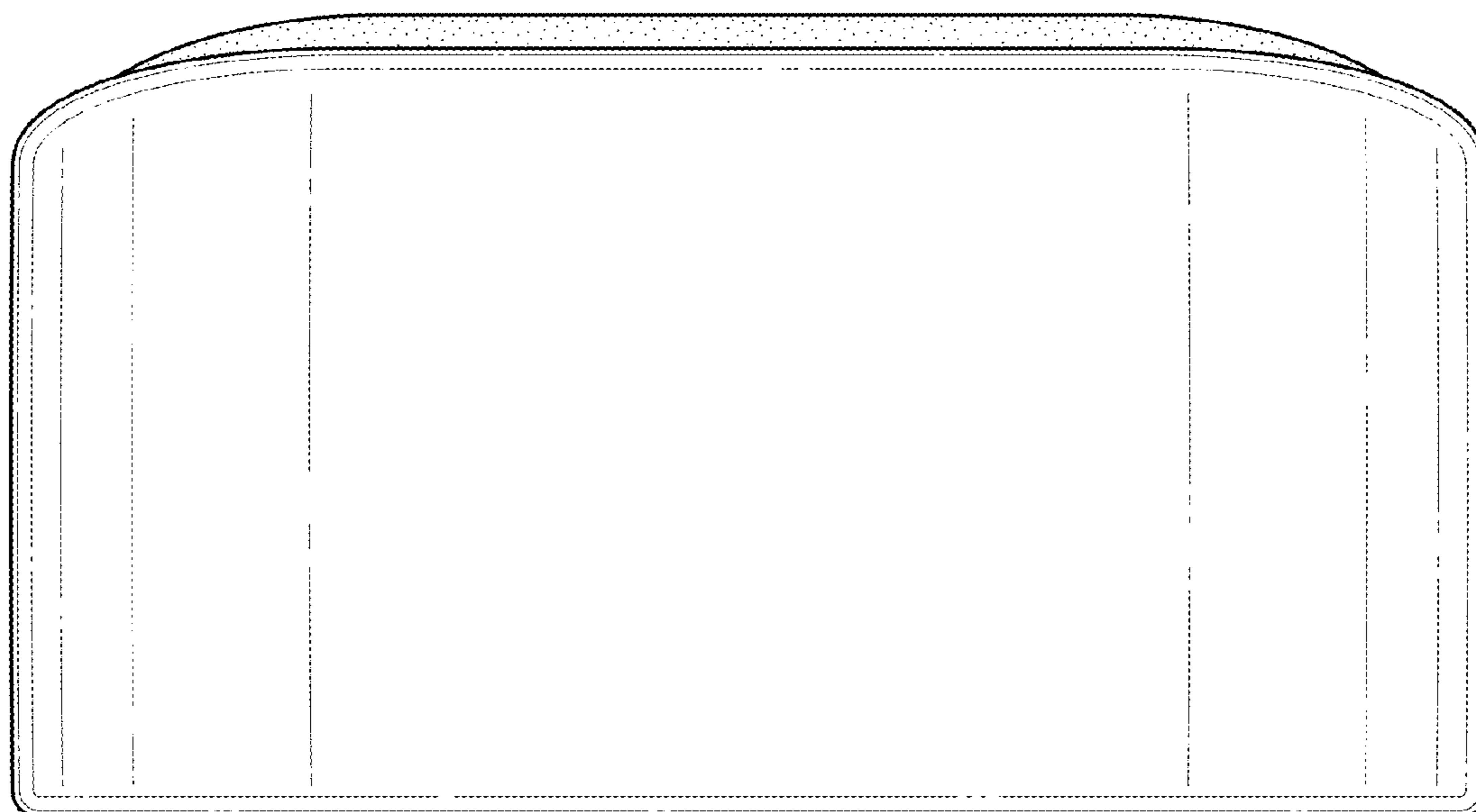


FIG. 7