



US00D726448S

(12) **United States Design Patent**
Messick

(10) **Patent No.:** **US D726,448 S**
(45) **Date of Patent:** **** Apr. 14, 2015**

(54) **PILLOW**

(71) Applicant: **Glen Messick**, Duarte, CA (US)

(72) Inventor: **Glen Messick**, Duarte, CA (US)

(**) Term: **14 Years**

(21) Appl. No.: **29/480,508**

(22) Filed: **Jan. 27, 2014**

(51) **LOC (10) Cl.** **06-09**

(52) **U.S. Cl.**
USPC **D6/597**

(58) **Field of Classification Search**
USPC D6/351, 388, 512, 564, 595, 596, 597,
D6/598, 601, 604; D21/398, 400, 405,
D21/575; 5/482, 630, 636, 639, 652;
446/81, 268, 270, 397, 408, 421;
D14/187, 204; D24/183

See application file for complete search history.

(56) **References Cited**

U.S. PATENT DOCUMENTS

763,808	A *	6/1904	Sturges	181/178
D283,772	S *	5/1986	Vail	D7/536
4,613,012	A *	9/1986	Mueller, III	181/178
4,618,066	A *	10/1986	Vail	215/13.1
D338,464	S *	8/1993	Darby	D14/187
D380,016	S *	6/1997	Jaeb et al.	D21/483
D413,476	S *	9/1999	Crawford	D6/601
5,967,405	A *	10/1999	Hanauska	229/103
5,967,875	A *	10/1999	Graef	446/74
6,568,504	B2 *	5/2003	Cowgill et al.	181/178
6,592,422	B1 *	7/2003	Rehkemper et al.	446/130
D559,830	S *	1/2008	Lintern	D14/187

D647,140	S *	10/2011	Ray	D19/73
D670,523	S *	11/2012	Fernandez	D6/601
2005/0184137	A1 *	8/2005	Dorsey et al.	229/103
2006/0042014	A1 *	3/2006	Martin	5/653
2006/0266579	A1 *	11/2006	Stern et al.	181/178
2007/0060017	A1 *	3/2007	Klusmeyer et al.	446/397

OTHER PUBLICATIONS

Cheer Pillows [online]. Komet Creations,2014 [retrieved on Nov. 14, 2014]. Retrieved from the INtternet<<http://www.kometcreations.com/cat-Cheer.html>>.*

<http://cheedeading.about.com/cs/productreviews/gr/cheerpillow.htm>, 2003, 1 page.

<http://www.trophies2go.com/cheer-megaphone-autograph-pillow>, 2 pages.

* cited by examiner

Primary Examiner — Mary Ann Calabrese

Assistant Examiner — Jennifer L Rempfer

(74) *Attorney, Agent, or Firm* — Heidi Eisenhut; Loza & Loza, LLP

(57) **CLAIM**

The ornamental design of a pillow, as shown and described.

DESCRIPTION

FIG. 1 is a perspective view of a pillow of the present invention;

FIG. 2 is a top plan view of the pillow of FIG. 1;

FIG. 3 is a bottom plan view of the pillow of FIG. 1;

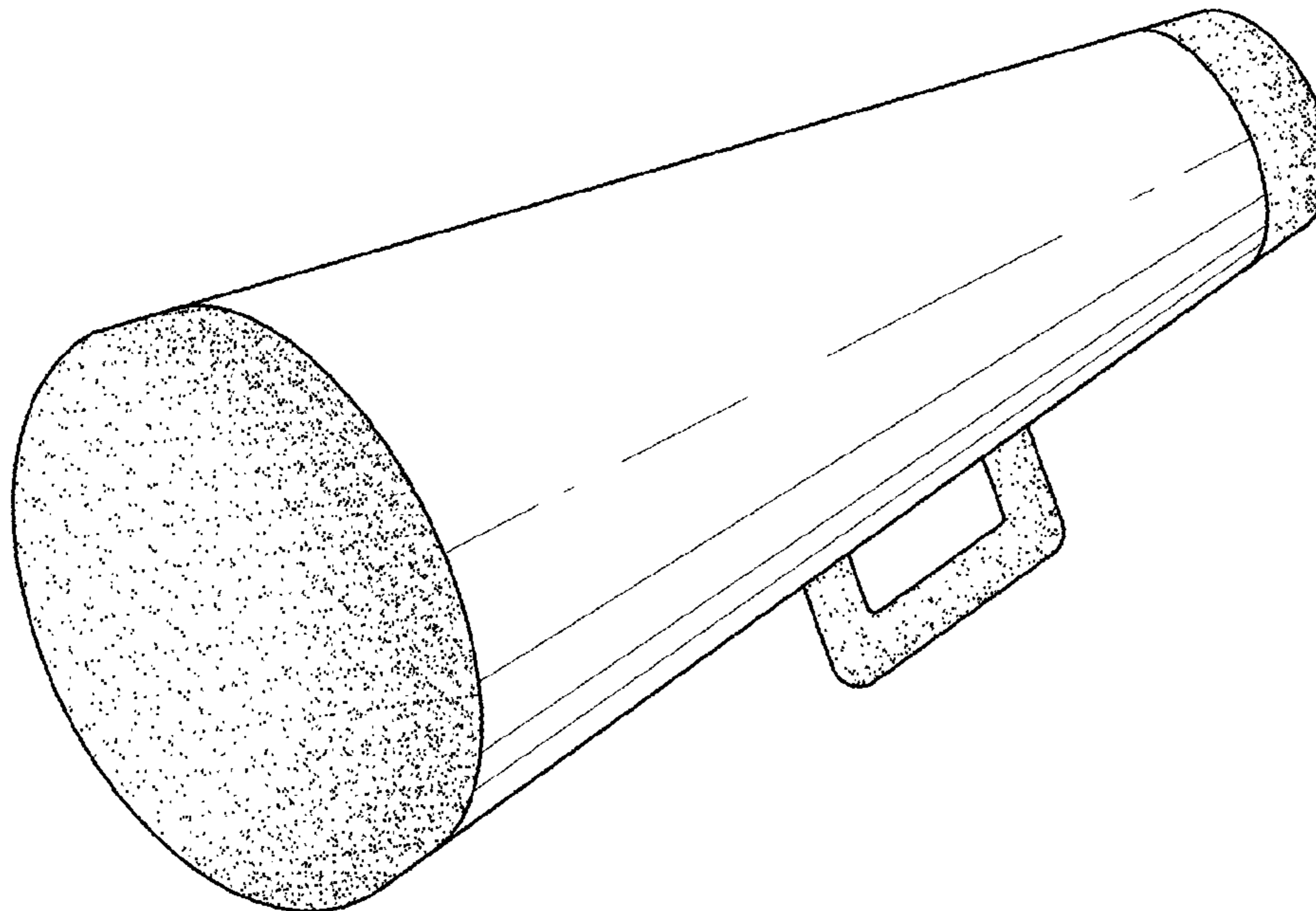
FIG. 4 is a first side elevation view of the pillow of FIG. 1;

FIG. 5 is a second side elevation view of the pillow of FIG. 1;

FIG. 6 is a third side elevation view of the pillow of FIG. 1; and,

FIG. 7 is a fourth side elevation view of the pillow of FIG. 1.

1 Claim, 3 Drawing Sheets



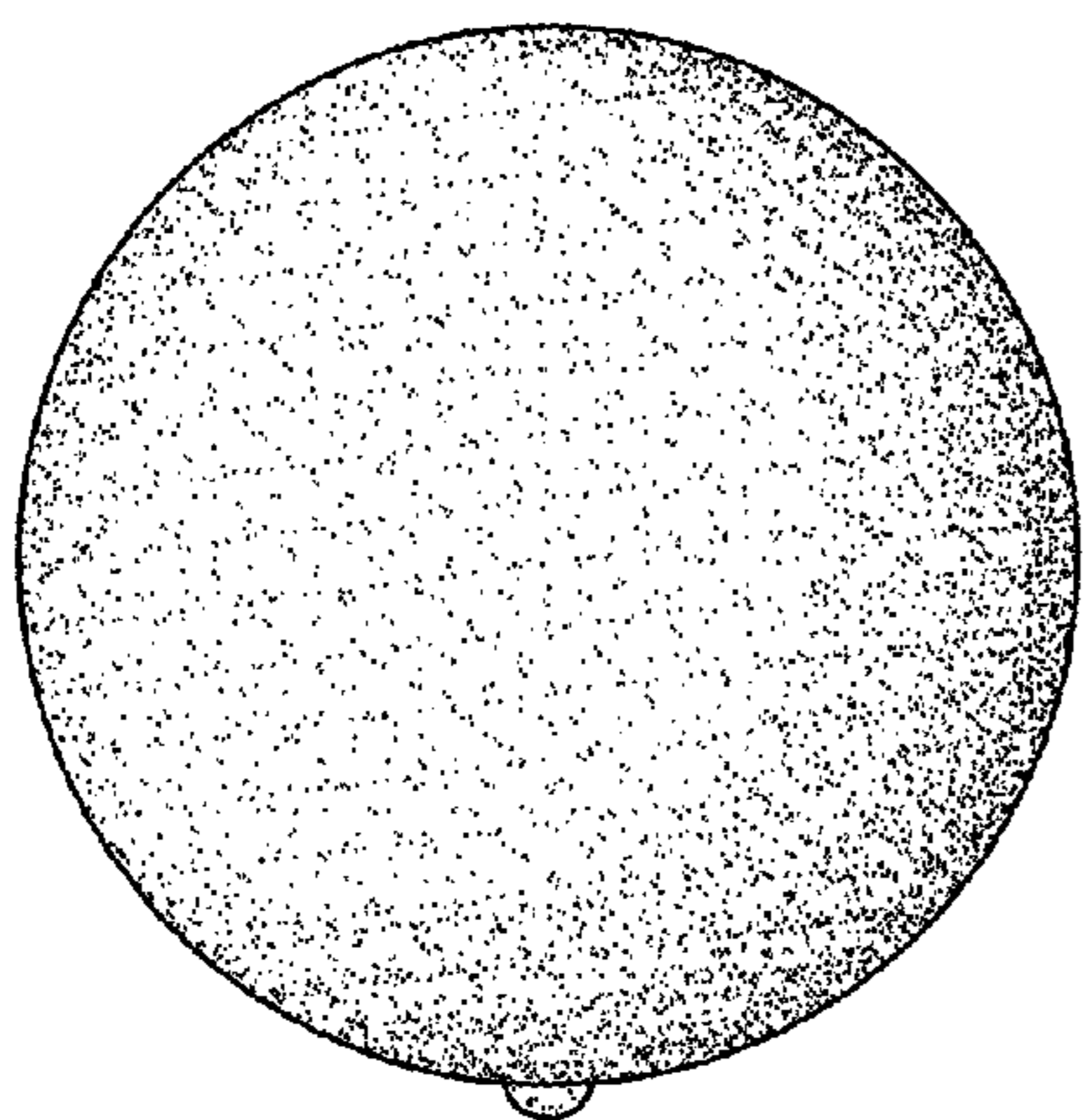
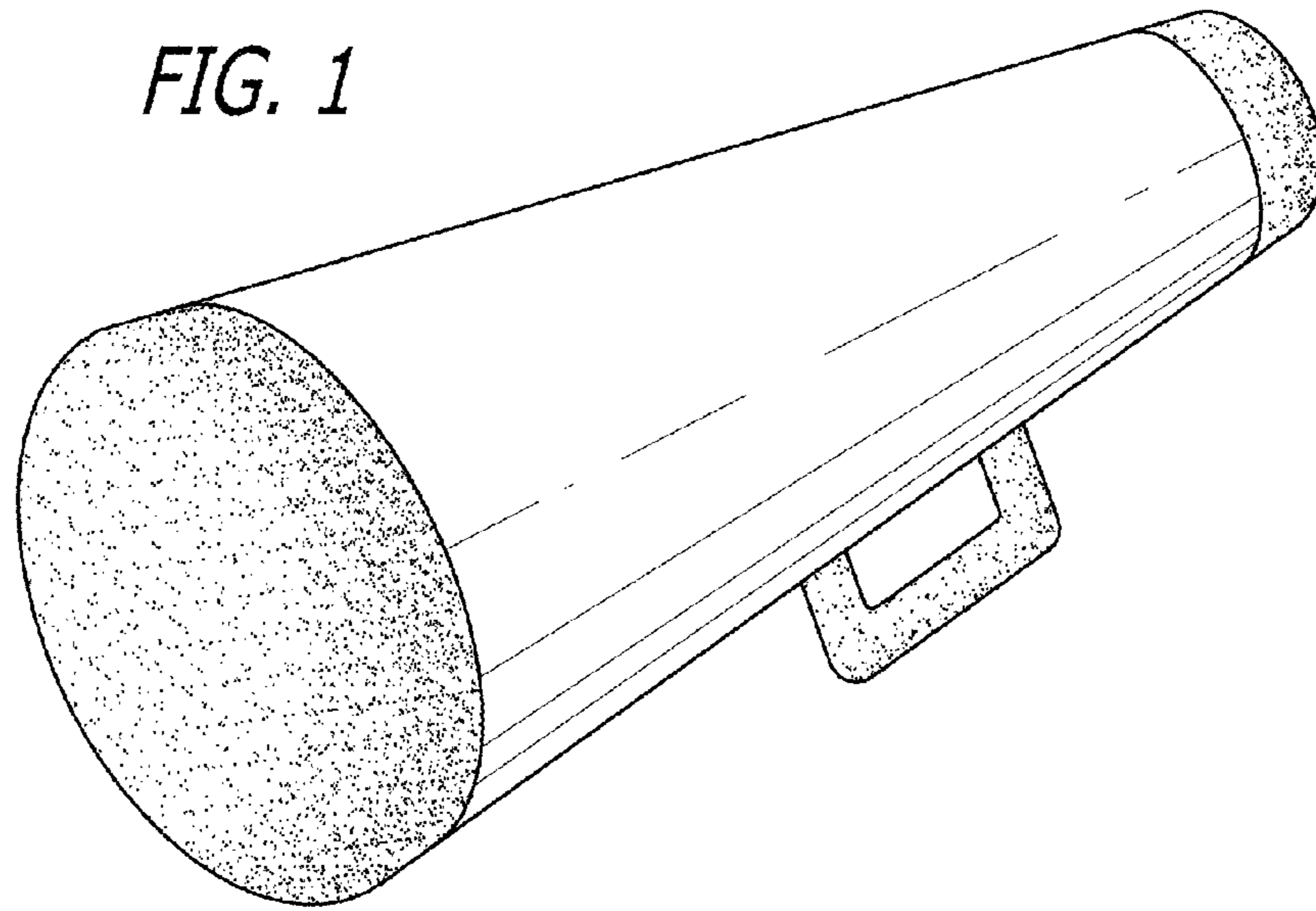


FIG. 2

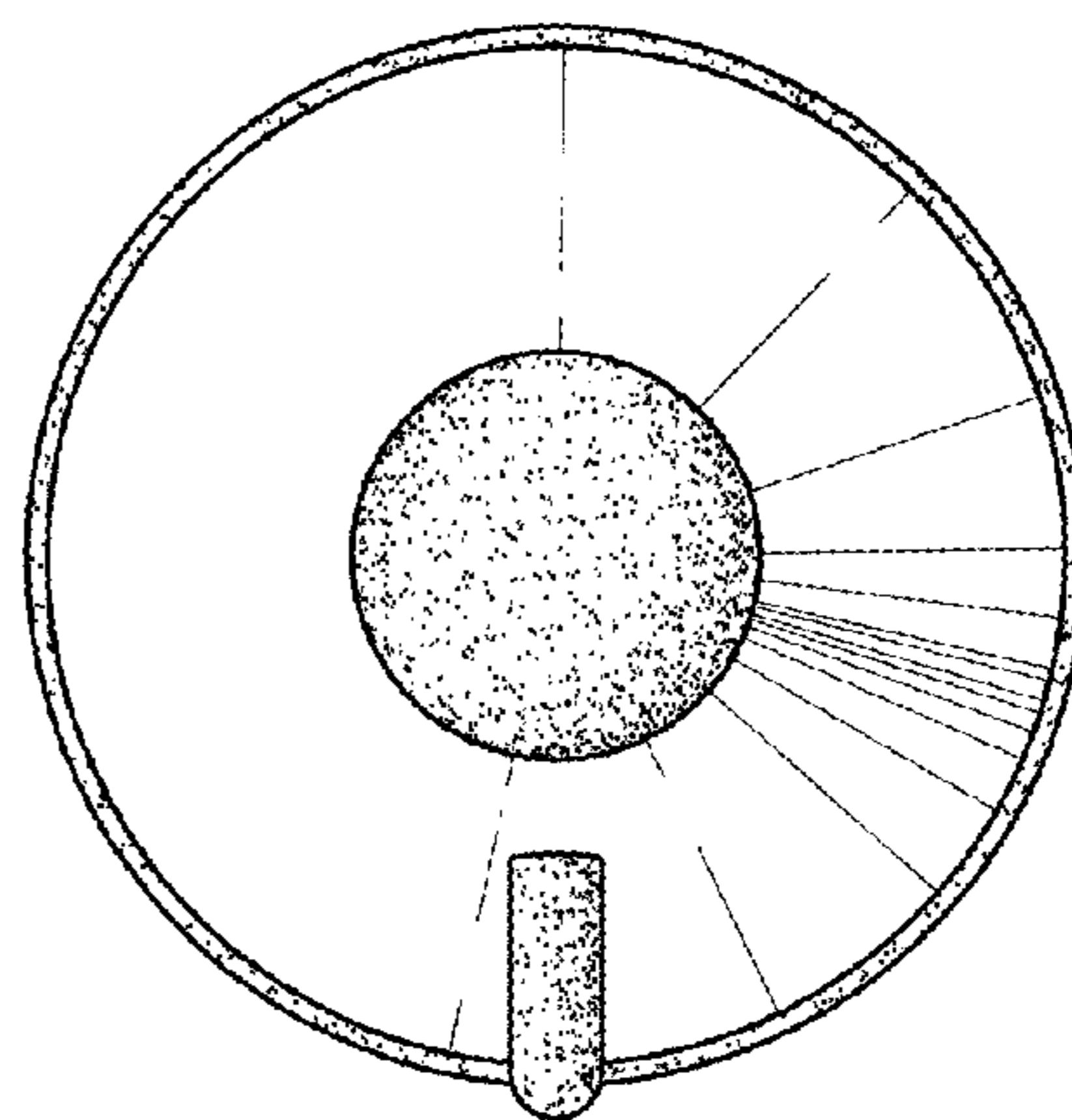


FIG. 3

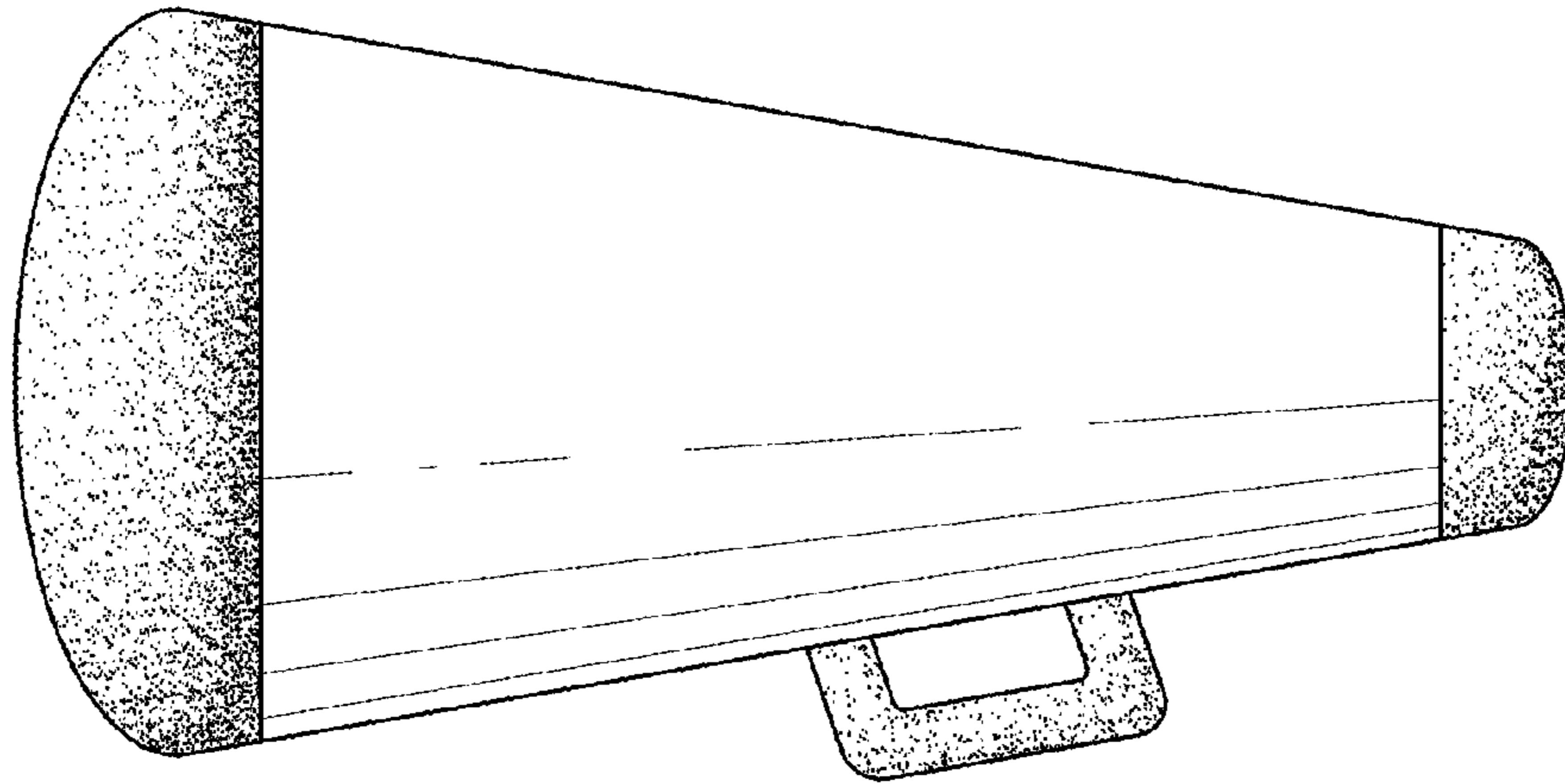


FIG. 4

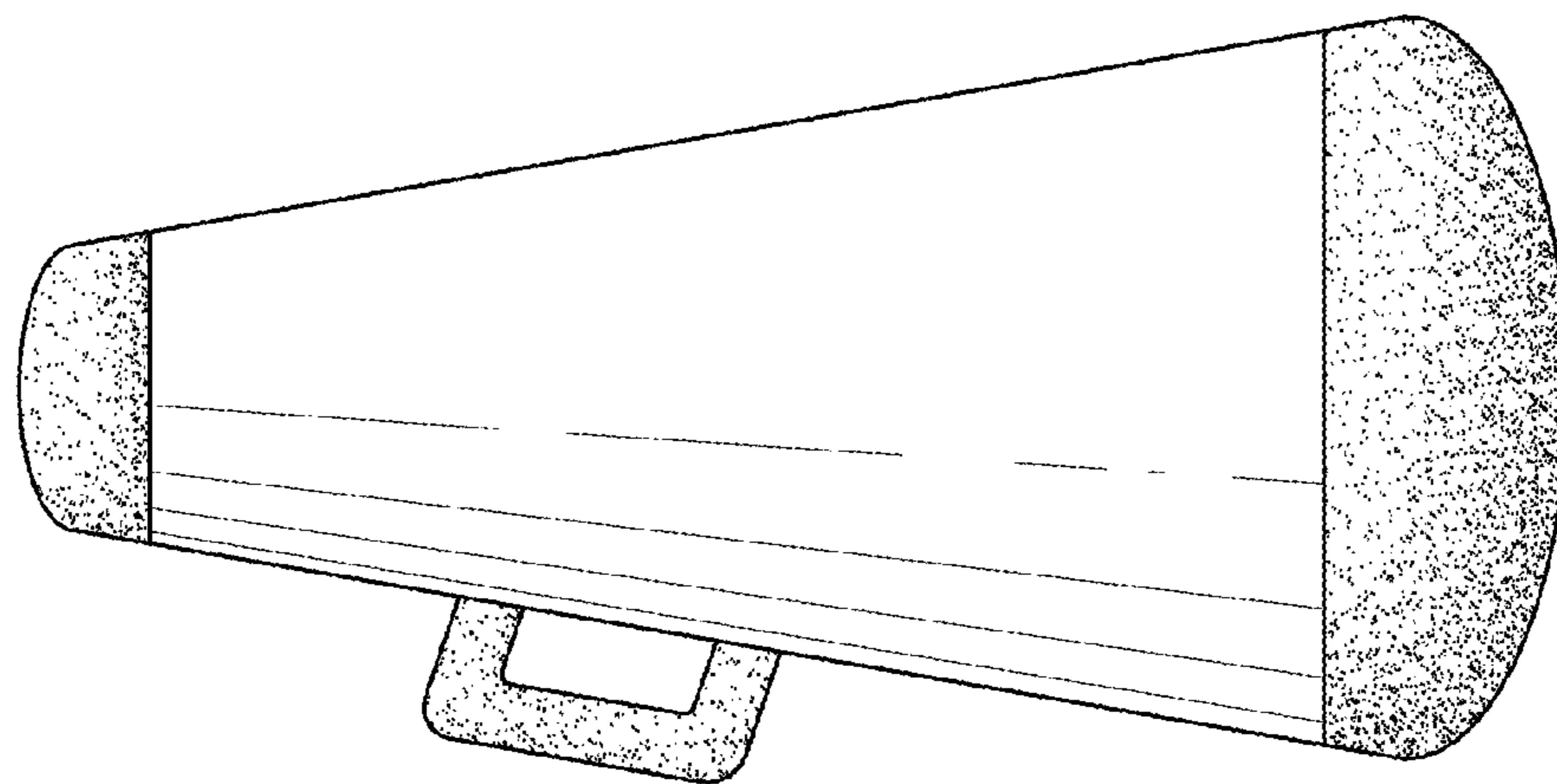


FIG. 5

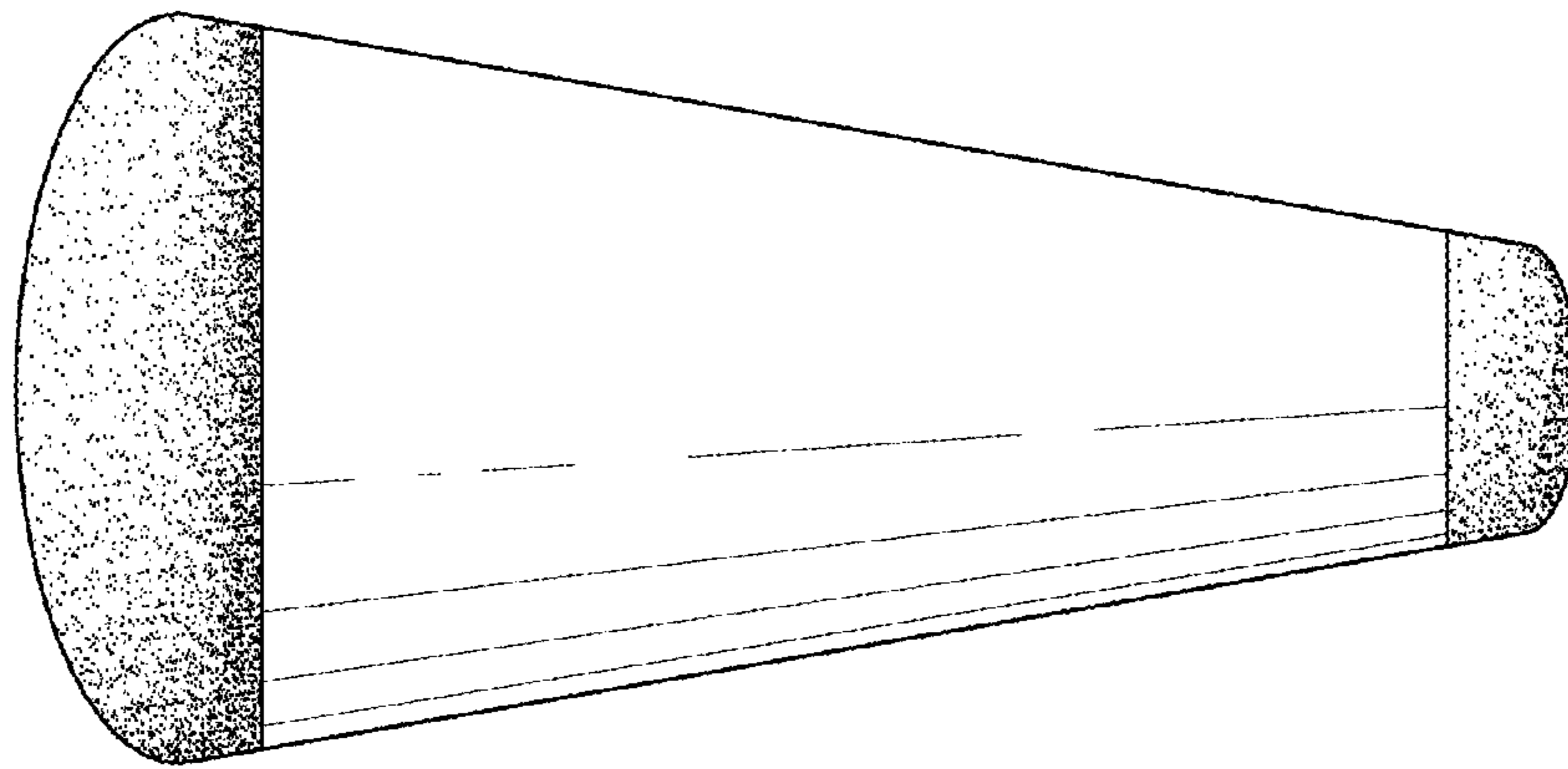


FIG. 6

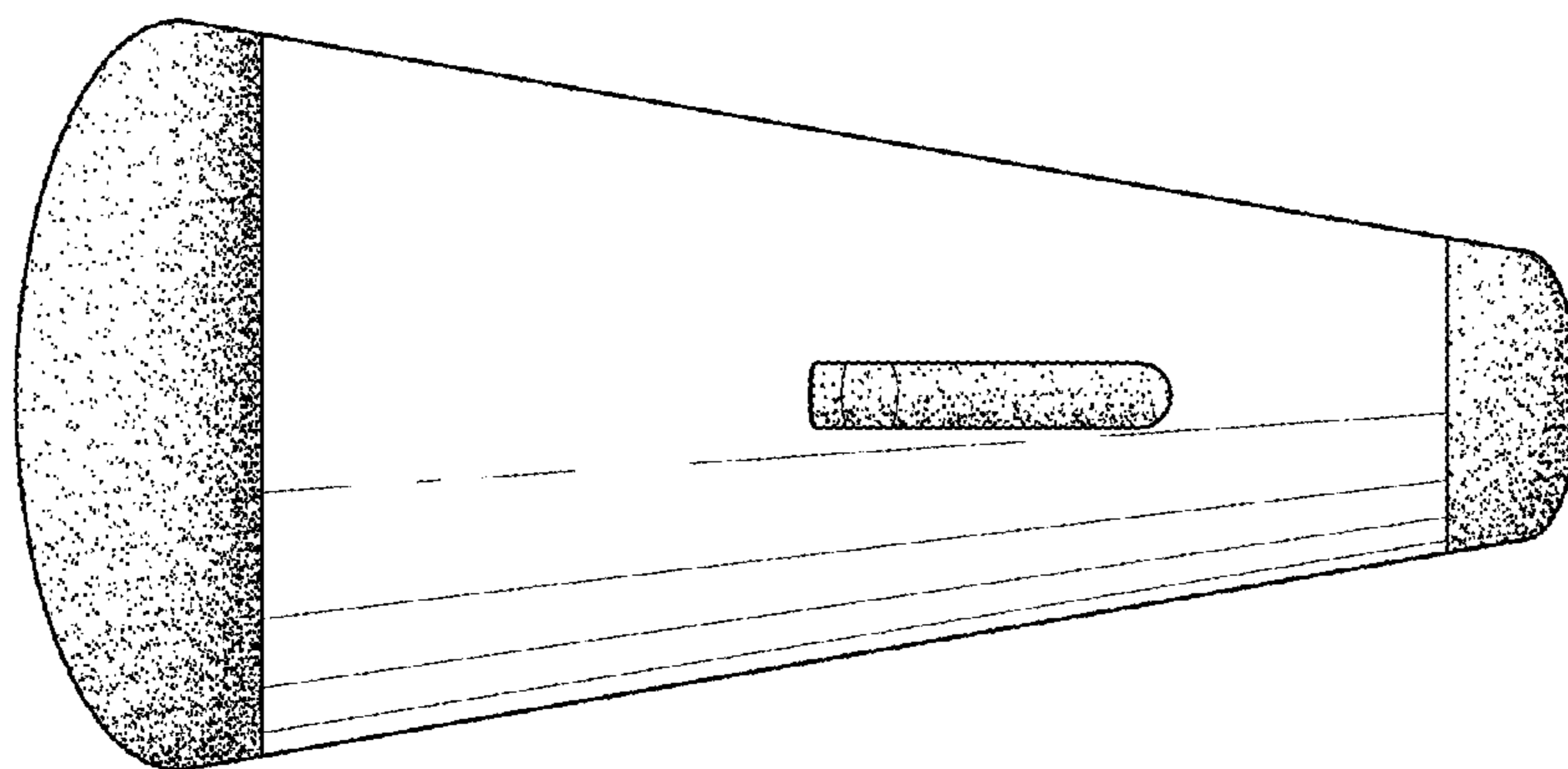


FIG. 7