

US00D726441S

(12) **United States Design Patent**
Yang et al.

(10) **Patent No.:** **US D726,441 S**
(45) **Date of Patent:** **** Apr. 14, 2015**

(54) **SHELVING SYSTEM**
(71) Applicant: **simplehuman, LLC**, Torrance, CA (US)
(72) Inventors: **Frank Yang**, Rancho Palos Verdes, CA (US); **Di-Fong Chang**, Torrance, CA (US); **Daniel Ballou**, Long Beach, CA (US)

626,739 A 6/1899 Vanderman
644,080 A 2/1900 Huebel
661,755 A 11/1900 Thurstensen
839,339 A 12/1906 Tuttle
841,866 A 1/1907 Hollis
845,917 A 3/1907 Worley
913,955 A 3/1909 Hansen
970,485 A 9/1910 Frey

(Continued)

(73) Assignee: **simplehuman, LLC**, Torrance, CA (US)

FOREIGN PATENT DOCUMENTS

(**) Term: **14 Years**

CA 132180 7/2010
CA 135666 3/2011

(21) Appl. No.: **29/484,743**

(Continued)

(22) Filed: **Mar. 12, 2014**

OTHER PUBLICATIONS

(51) **LOC (10) Cl.** **23-02**
(52) **U.S. Cl.**
USPC **D6/525**

U.S. Appl. No. 29/357,566, filed Mar. 12, 2010, Yang et al.
U.S. Appl. No. 29/484,567, filed Mar. 13, 2014, Yang et al.
U.S. Appl. No. 29/484,765, filed Mar. 12, 2014, Yang et al.

(58) **Field of Classification Search**
USPC D6/524, 525, 566, 536, 540, 567, 570;
211/13.1, 74, 71.01, 86.01, 75, 88.01,
211/90.01, 90.03, 106, 119, 126.1, 133.5,
211/181.1, 134

Primary Examiner — Brian N Vinson
(74) *Attorney, Agent, or Firm* — Knobbe, Martens, Olson & Bear, LLP

See application file for complete search history.

(57) **CLAIM**

The ornamental design for a shelving system, as shown and described.

(56) **References Cited**

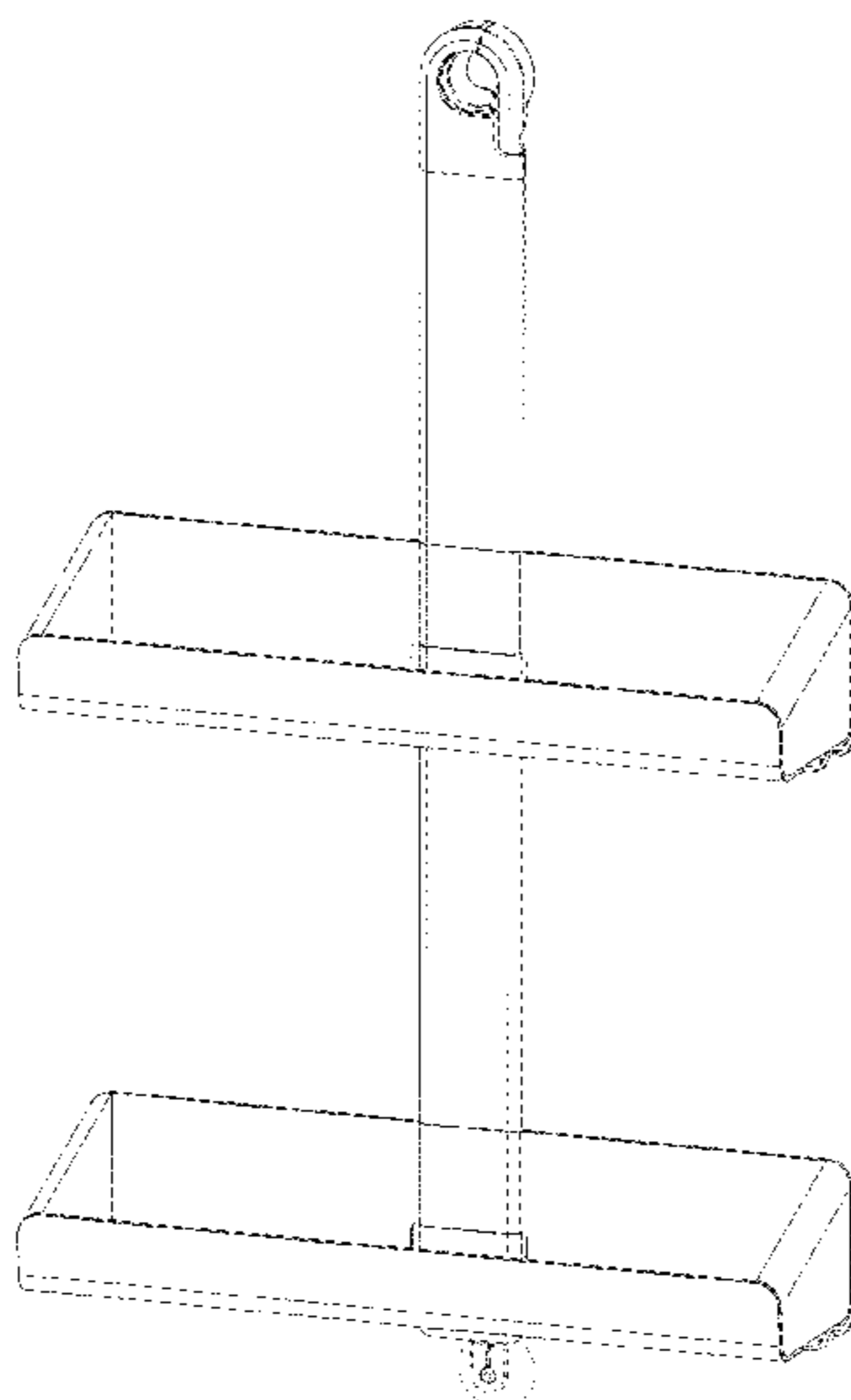
U.S. PATENT DOCUMENTS

141,186 A 7/1873 Thomas
163,852 A 6/1875 Denman
181,593 A 8/1876 Randall
387,758 A 8/1888 Barnhart
397,558 A 2/1889 Lumley
434,708 A 8/1890 Grier
475,020 A 5/1892 Perry
477,291 A 6/1892 Bomar
496,961 A 5/1893 Trude
527,273 A 10/1894 Fowler
536,272 A 3/1895 Edsall
543,935 A 8/1895 Hostler
612,061 A 10/1898 Shambaugh
613,231 A 11/1898 Bennett
618,425 A 1/1899 Manger

DESCRIPTION

FIG. 1 is a top, front, left-side perspective view of a shelving system embodying our design;
FIG. 2 is a front elevation view thereof;
FIG. 3 is a rear elevation view thereof;
FIG. 4 is a right-side elevation view thereof;
FIG. 5 is a left-side elevation view thereof;
FIG. 6 is a top plan view thereof; and,
FIG. 7 is a bottom plan view thereof.
All features in phantom line form no part of the claimed subject matter.

1 Claim, 7 Drawing Sheets



(56)

References Cited

U.S. PATENT DOCUMENTS

1,026,149 A	5/1912	Crane	4,154,356 A	5/1979	Schieve
1,071,428 A	8/1913	Jones	4,192,426 A	3/1980	Gauthier
1,254,094 A	1/1918	Vogt	4,215,840 A	8/1980	Babberl
1,446,036 A	2/1923	Willaim	4,232,790 A	11/1980	Serrano
1,478,339 A	12/1923	Wade	4,274,400 A	6/1981	Baus
1,511,704 A	10/1924	Buck	4,310,193 A	1/1982	Kolleas
1,554,137 A	9/1925	Slifkin	4,360,283 A	11/1982	Psotta
1,582,762 A	4/1926	Klock	4,387,811 A	6/1983	Ragir et al.
1,639,551 A	8/1927	Booth	4,415,091 A	11/1983	Wolff
1,931,321 A	10/1933	Keil	4,428,488 A	1/1984	McAvinn et al.
2,012,452 A	8/1935	Littell	4,437,450 A	3/1984	Connelly
2,042,517 A	6/1936	Ellis	D273,645 S	5/1984	McEvers
2,157,309 A	5/1939	Swedman et al.	D274,201 S	6/1984	Aaron
2,199,851 A	5/1940	Freeman	4,511,047 A	4/1985	Elinsky
2,254,770 A	9/1941	Bitney	4,541,131 A	9/1985	Sussman
2,513,889 A	7/1950	Nilsson	4,559,879 A	12/1985	Hausser
2,675,782 A	4/1954	Lage et al.	D286,599 S	11/1986	Sussman
2,677,519 A	5/1954	Hobson	D289,353 S	4/1987	Davis et al.
2,746,661 A	5/1956	Kaplan	4,664,428 A	5/1987	Bridges
2,788,902 A	4/1957	Nowicki	4,761,092 A	8/1988	Nakatani
2,837,219 A	6/1958	Ferdinand et al.	4,771,897 A	9/1988	Ho
2,923,415 A	2/1960	Brown	4,771,899 A	9/1988	Benedict et al.
2,923,428 A	2/1960	Averill	4,776,471 A	10/1988	Elkins
2,928,512 A	3/1960	Slater et al.	4,786,022 A	11/1988	Grieshaber
2,932,873 A	4/1960	Reichert	4,805,784 A	2/1989	Solheim et al.
2,936,146 A	5/1960	Wunder	4,860,909 A	8/1989	Leumi
2,937,766 A	5/1960	Penn	4,865,283 A	9/1989	Parker
2,941,669 A	6/1960	Palay et al.	4,869,378 A	9/1989	Miller
D188,332 S	7/1960	Salen	4,869,379 A	9/1989	Hawkrige
D189,722 S	2/1961	Wolf	4,883,399 A	11/1989	MacLean
2,976,003 A	3/1961	Foster	4,895,331 A	1/1990	Nehls
2,977,953 A	4/1961	Dowdy	4,909,467 A	3/1990	Shan-Pao
3,035,708 A	5/1962	Freeman	D314,294 S	2/1991	Axhamre
3,043,440 A	7/1962	Berlin	4,998,647 A	3/1991	Sharp
3,059,374 A	10/1962	Bernay	5,014,860 A	5/1991	Emery
3,088,598 A	5/1963	Werneke	5,023,755 A	6/1991	Rosenberg
D195,412 S	6/1963	Vernik	5,127,528 A	7/1992	Cone
3,111,723 A	11/1963	Bates	5,160,101 A	11/1992	Ferraro et al.
3,115,107 A	12/1963	Glenny	5,180,067 A	1/1993	Conaway et al.
3,119,496 A	1/1964	Burk	5,190,170 A	3/1993	Steiner
3,124,253 A	3/1964	Pelrich et al.	5,192,427 A	3/1993	Eger et al.
3,132,609 A	5/1964	Chesley	5,197,614 A	3/1993	Dalton et al.
3,138,260 A	6/1964	Tedrick	5,255,401 A	10/1993	Sambrookes et al.
3,181,923 A	5/1965	Guillon et al.	5,284,260 A	2/1994	Caligiuri, Sr.
3,239,182 A	3/1966	Blanz	5,307,797 A	5/1994	Kleefeld
3,266,764 A	8/1966	Briles	5,318,175 A	6/1994	Stevens
3,307,710 A	3/1967	Negri	D351,751 S	10/1994	Brightbill et al.
3,319,983 A	5/1967	Zibell	5,355,867 A	10/1994	Hall et al.
3,343,685 A	9/1967	Giambalvo	5,429,252 A	7/1995	Liu
3,471,031 A	10/1969	Coplan	5,462,178 A	10/1995	Wallach et al.
3,533,583 A	10/1970	Azim	5,483,761 A	1/1996	Simpson
3,593,857 A	7/1971	Hernes	5,505,318 A	4/1996	Goff
D222,276 S	10/1971	Hughes	5,524,772 A	6/1996	Simmons
3,641,922 A	2/1972	Nachazel et al.	5,527,273 A	6/1996	Manna et al.
3,661,121 A	5/1972	Zielin	5,588,543 A	12/1996	Finger
3,695,455 A	10/1972	Larson	5,632,049 A	5/1997	Chen
3,710,096 A	1/1973	McFarlin	D382,733 S	8/1997	Goetz
3,787,078 A	1/1974	Williams	5,666,940 A	9/1997	Kreiter
3,789,996 A	2/1974	Stroh	5,692,817 A	12/1997	Jun et al.
3,791,091 A	2/1974	Albrizzi	5,697,508 A	12/1997	Rifkin et al.
3,807,574 A	4/1974	Lanza	5,702,010 A	12/1997	Liang
3,854,686 A	12/1974	Konstant	D388,642 S	1/1998	Winter
3,894,707 A	7/1975	Heard	5,735,413 A	4/1998	Allen
3,907,119 A	9/1975	Franz	5,772,048 A	6/1998	Sopcisak
3,923,162 A	12/1975	Hussey	5,772,050 A	6/1998	Shih
D239,579 S	4/1976	Taub	D396,379 S	7/1998	Stoetzi
3,954,182 A	5/1976	McEvers	D396,585 S	8/1998	Hofman
3,983,823 A	10/1976	McDonnell	5,833,192 A	11/1998	Buhrman
3,998,334 A	12/1976	Smith	D402,145 S	12/1998	Hofman et al.
4,018,019 A	4/1977	Raith et al.	5,855,184 A	1/1999	Eichler et al.
4,033,539 A	7/1977	Bardocz	5,855,286 A	1/1999	Zaid
4,059,915 A	11/1977	Owens	5,897,002 A	4/1999	Carlino
4,096,951 A	6/1978	Menssen	5,899,423 A	5/1999	Albertini
4,106,736 A	8/1978	Becker, III et al.	5,934,636 A	8/1999	Cyrell
D250,560 S *	12/1978	Gordon	5,941,397 A	8/1999	Buchanan et al.
		D6/570	5,984,114 A	11/1999	Frankel
			D417,991 S	12/1999	Hofman et al.
			D419,020 S	1/2000	Emery et al.
			6,017,009 A	1/2000	Swartz et al.

(56)

References Cited

U.S. PATENT DOCUMENTS

D421,692 S 3/2000 Wojtowicz et al.
 D421,867 S 3/2000 Carville et al.
 6,050,426 A 4/2000 Leurdijk
 D424,355 S 5/2000 Barton
 6,065,618 A 5/2000 Stetler
 D427,469 S 7/2000 Thurston-Chartraw et al.
 D429,934 S 8/2000 Hofman
 6,113,042 A 9/2000 Welsch et al.
 6,119,878 A 9/2000 Zen
 6,123,303 A 9/2000 Huang
 6,135,668 A 10/2000 Lin
 6,152,312 A 11/2000 Nava et al.
 6,206,206 B1 3/2001 Saylor et al.
 6,233,877 B1 5/2001 Monroe
 D443,162 S 6/2001 Winter
 D444,333 S 7/2001 Ferrer Beltran
 D446,670 S 8/2001 Emery et al.
 6,302,036 B1 10/2001 Carson et al.
 6,302,280 B1 10/2001 Bermes
 6,311,856 B2 11/2001 Battaglia et al.
 6,318,572 B1 11/2001 Lai
 6,347,777 B1 2/2002 Webber et al.
 6,378,709 B1 4/2002 Stuart
 6,394,404 B1 5/2002 Cyrell
 6,409,029 B1 6/2002 Bermes
 D462,552 S 9/2002 Emery et al.
 6,481,586 B1 11/2002 Hoff
 6,494,327 B2 12/2002 Huang
 6,502,794 B1 1/2003 Ting
 D470,703 S 2/2003 Hoernig
 6,520,351 B1 2/2003 Zadro
 6,527,473 B2 3/2003 Chen
 D473,411 S 4/2003 Walker
 6,540,430 B2 4/2003 Hsu
 6,550,739 B1 4/2003 Brindisi
 6,551,226 B1 4/2003 Webber et al.
 D475,560 S 6/2003 Suero, Jr.
 D475,561 S 6/2003 Suero, Jr.
 6,575,315 B2 6/2003 Zidek
 6,581,790 B1 6/2003 Zadro
 6,591,996 B1 7/2003 Wu
 6,619,164 B1 9/2003 Ricci et al.
 6,648,152 B2 11/2003 Bermes
 D483,251 S 12/2003 Suero, Jr.
 6,688,238 B1 2/2004 Alexiou
 6,726,034 B2 4/2004 Holbrook et al.
 D489,207 S 5/2004 Rosen
 D492,188 S 6/2004 Goldberg
 6,758,355 B2 7/2004 Zidek
 D493,991 S 8/2004 Dretzka
 D495,549 S * 9/2004 Yu et al. D6/570
 6,824,000 B2 11/2004 Samelson
 6,824,225 B2 11/2004 Stiffler
 6,848,144 B1 2/2005 McDonald
 6,871,748 B2 3/2005 Suttles
 6,918,498 B2 7/2005 Sparkowski
 D509,361 S 9/2005 Suero, Jr.
 6,957,794 B2 10/2005 Landreville et al.
 D512,861 S 12/2005 Rosen
 6,983,853 B1 1/2006 Fickett
 D516,901 S 3/2006 Murray
 7,021,814 B2 4/2006 Berardi
 7,059,271 B2 6/2006 Santa Cruz et al.
 7,086,633 B2 8/2006 Welch et al.
 D530,551 S 10/2006 Snell
 D533,283 S 12/2006 Holztrager
 D534,062 S 12/2006 van den Bosch
 7,195,213 B2 3/2007 Weatherly
 D543,747 S 6/2007 Harwanko
 D544,786 S 6/2007 Barrese
 7,229,059 B1 6/2007 Hood
 D546,879 S 7/2007 Qiu
 7,246,711 B1 7/2007 Metcalf
 D552,393 S 10/2007 Rosen

D564,257 S 3/2008 Yang et al.
 7,347,197 B2 3/2008 Hankinson
 D566,991 S 4/2008 Harwanko
 D568,657 S 5/2008 Snider
 D568,658 S * 5/2008 Yang et al. D6/525
 D569,148 S 5/2008 Yang et al.
 D572,060 S 7/2008 Snider
 D572,502 S 7/2008 Yang et al.
 D572,516 S 7/2008 Snider
 D573,386 S 7/2008 Clucas
 D573,387 S 7/2008 Walker
 D573,822 S 7/2008 Yang et al.
 7,398,790 B2 7/2008 Glatz
 7,401,754 B2 7/2008 Welch et al.
 D574,649 S 8/2008 Snider
 D574,650 S 8/2008 Snider
 7,407,060 B2 8/2008 Swartz et al.
 D578,815 S 10/2008 Dominique et al.
 D579,254 S * 10/2008 Dominique et al. D6/570
 D587,504 S 3/2009 Russell et al.
 D589,728 S 4/2009 Shaha et al.
 D598,688 S 8/2009 Yang et al.
 7,591,385 B2 9/2009 Brooks
 D622,990 S 9/2010 Yang et al.
 D628,841 S 12/2010 Yang et al.
 7,975,653 B2 7/2011 Cash
 D651,837 S 1/2012 Yang et al.
 D651,838 S 1/2012 Yang et al.
 8,225,946 B2 7/2012 Yang et al.
 8,408,405 B2 4/2013 Yang et al.
 8,474,632 B2 7/2013 Yang et al.
 2001/0004064 A1 6/2001 Battaglia et al.
 2002/0158033 A1 10/2002 Chen
 2002/0172549 A1 11/2002 Koros et al.
 2003/0000905 A1 1/2003 Zidek
 2003/0132181 A1 7/2003 Saulnier-Matteini
 2003/0136782 A1 7/2003 Dicello et al.
 2003/0222191 A1 12/2003 Tsai
 2004/0188577 A1 9/2004 Gaderick
 2005/0040301 A1 2/2005 Walter
 2005/0139562 A1 6/2005 Chen
 2005/0205509 A1 9/2005 Flynn
 2005/0205722 A1 9/2005 Krueger
 2006/0038097 A1 2/2006 Diller
 2006/0124812 A1 6/2006 Berardi
 2006/0130381 A1 6/2006 Caterinacci
 2006/0180561 A1 8/2006 Wisnoski et al.
 2006/0261022 A1 11/2006 Sampaio
 2007/0045208 A1 3/2007 Quan
 2007/0194191 A1 8/2007 Persson
 2007/0235611 A1 10/2007 Riblet
 2007/0295681 A1 12/2007 Colin
 2008/0053935 A1 3/2008 Newbould et al.
 2008/0142669 A1 6/2008 Zlotocha
 2009/0134290 A1 5/2009 Begic et al.
 2009/0188880 A1 7/2009 Yang et al.
 2010/0000449 A1 1/2010 Botkin
 2011/0271438 A1 11/2011 Yang et al.
 2013/0191987 A1 8/2013 Yang et al.

FOREIGN PATENT DOCUMENTS

CA 136936 3/2011
 CA 136937 9/2011
 CN 301523949 S 4/2011
 CN 301642065 S 8/2011
 CN 301735061 S 11/2011
 EP 2191757 6/2010
 EP 001217053 8/2010
 EP 001232896 10/2010
 EP 001232912 10/2010
 FR 2549361 1/1985
 JP D1136196 1/2002
 KR 3020030000821 3/2003
 WO WO 2009/097298 8/2009

* cited by examiner

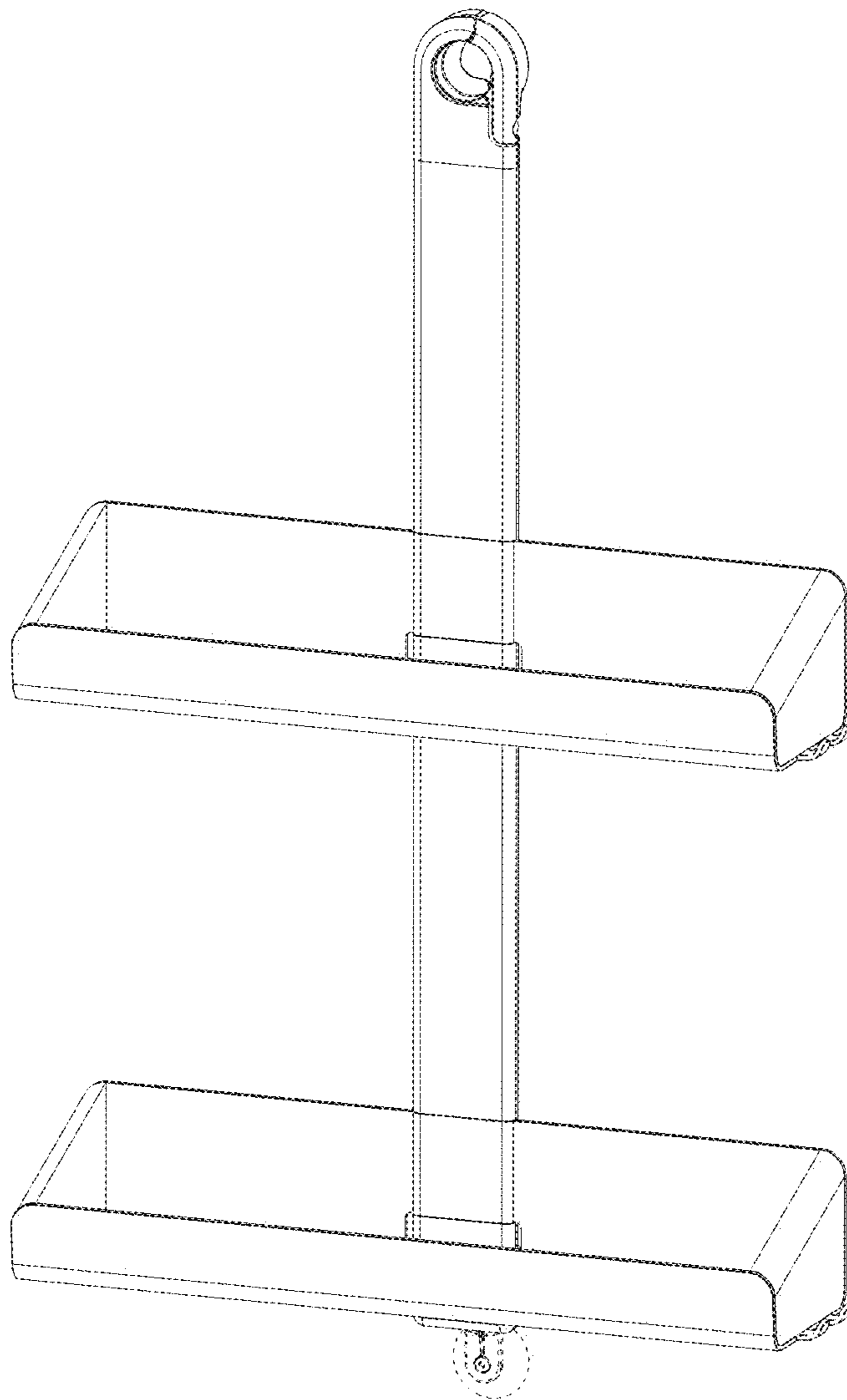


Fig. 1

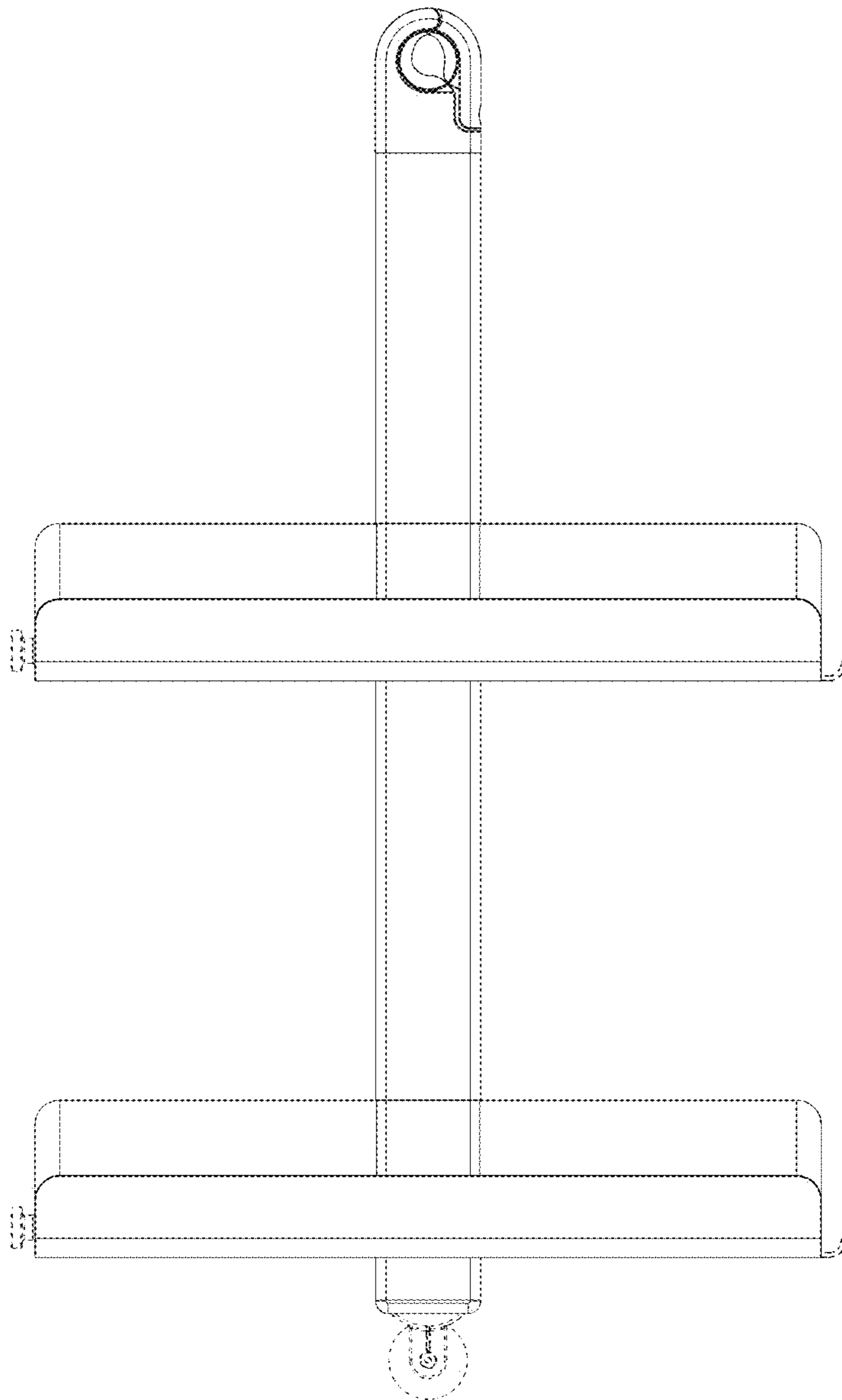


Fig. 2

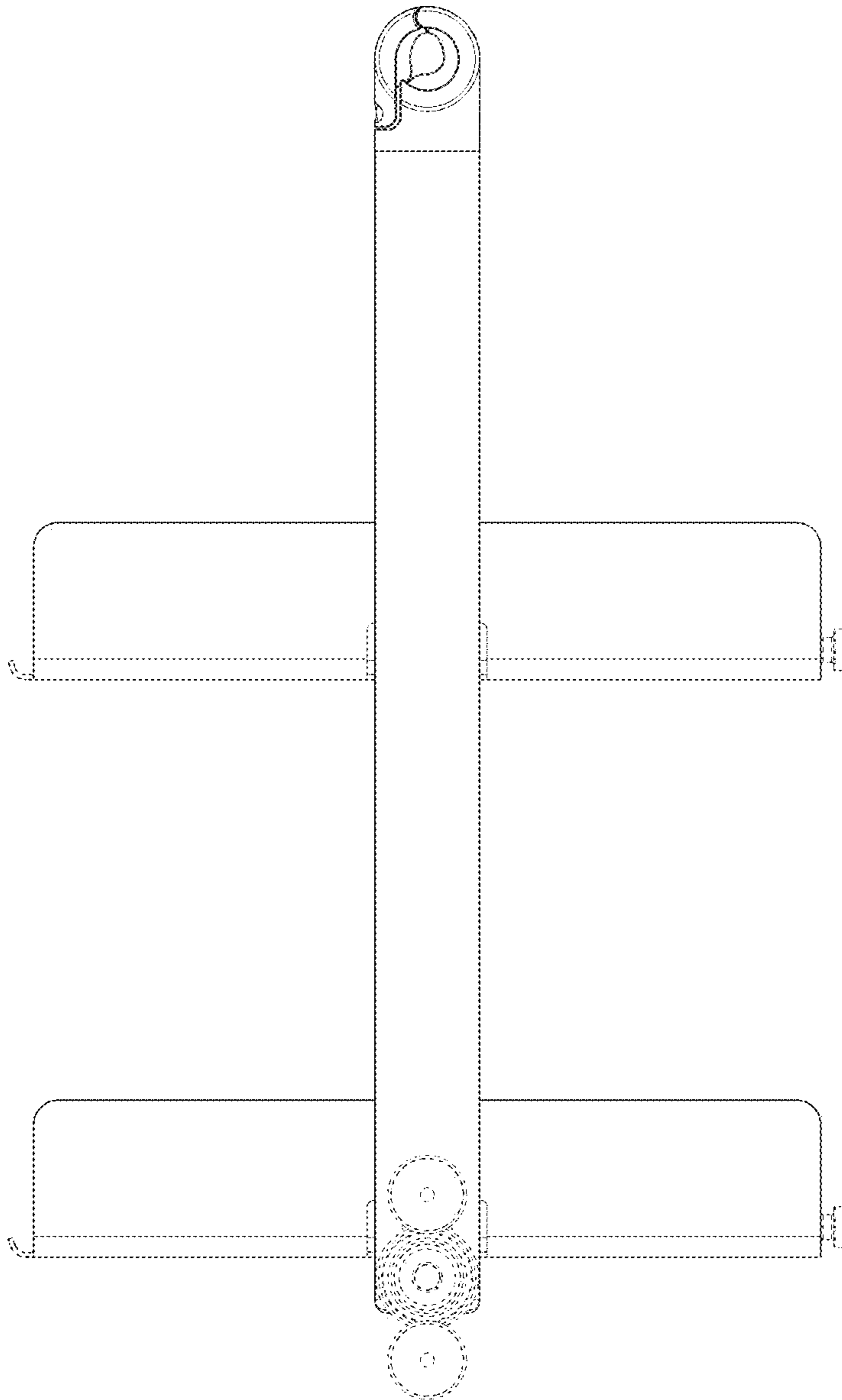


Fig. 3

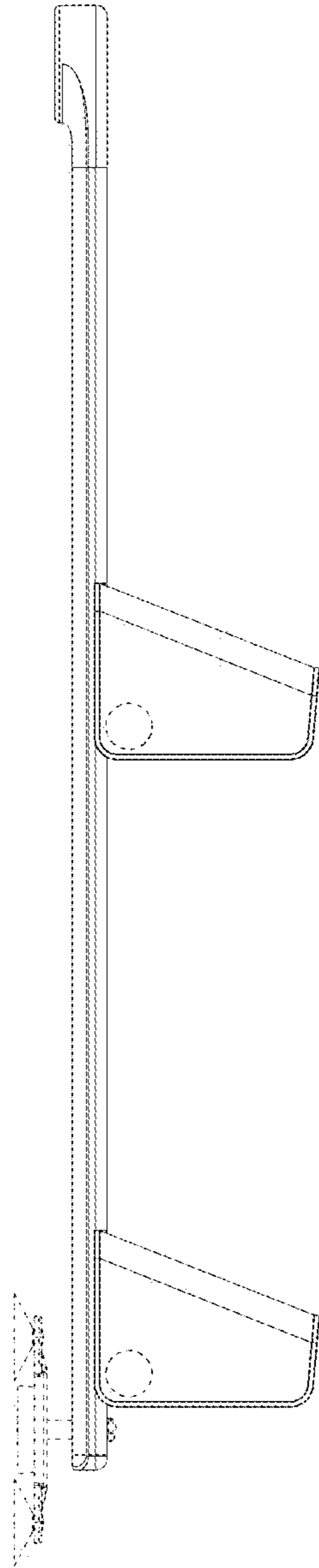


Fig. 4

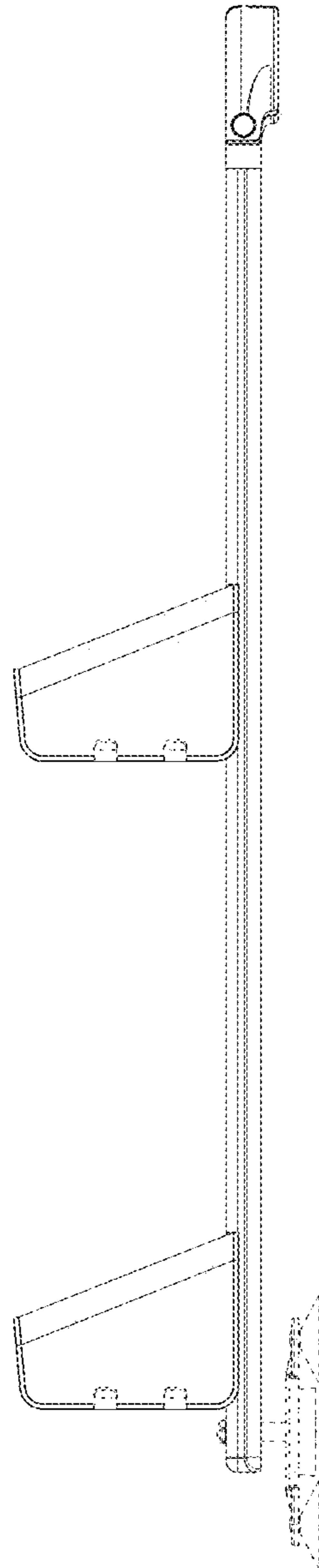


Fig. 5

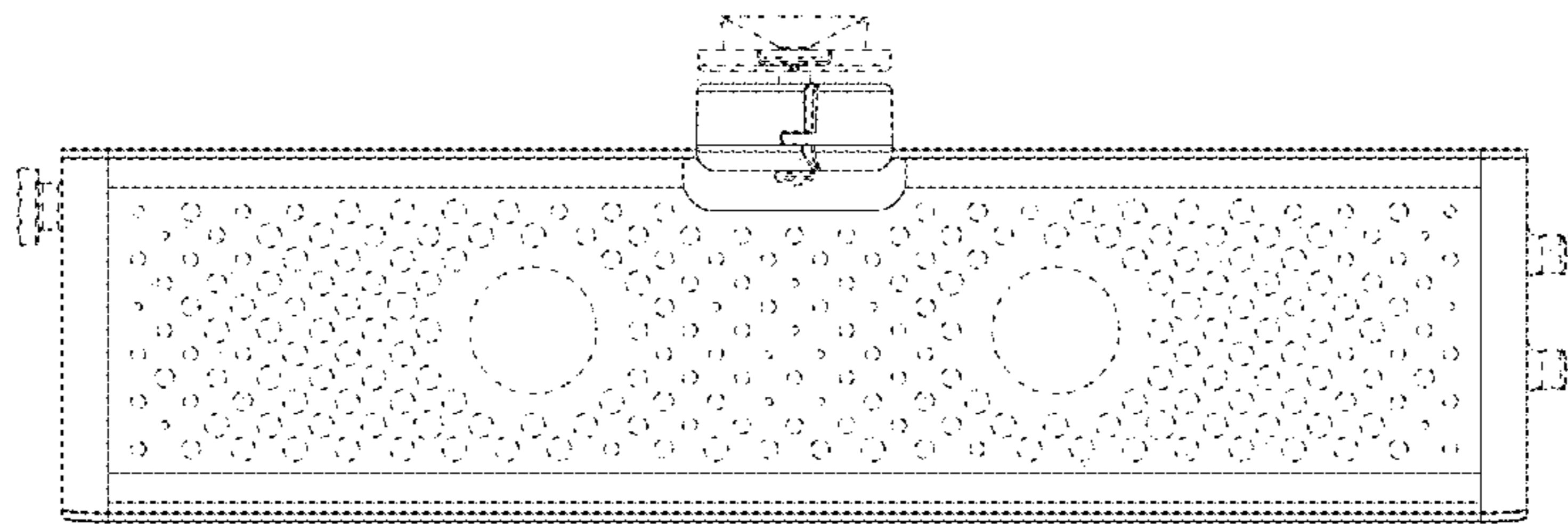


Fig. 6

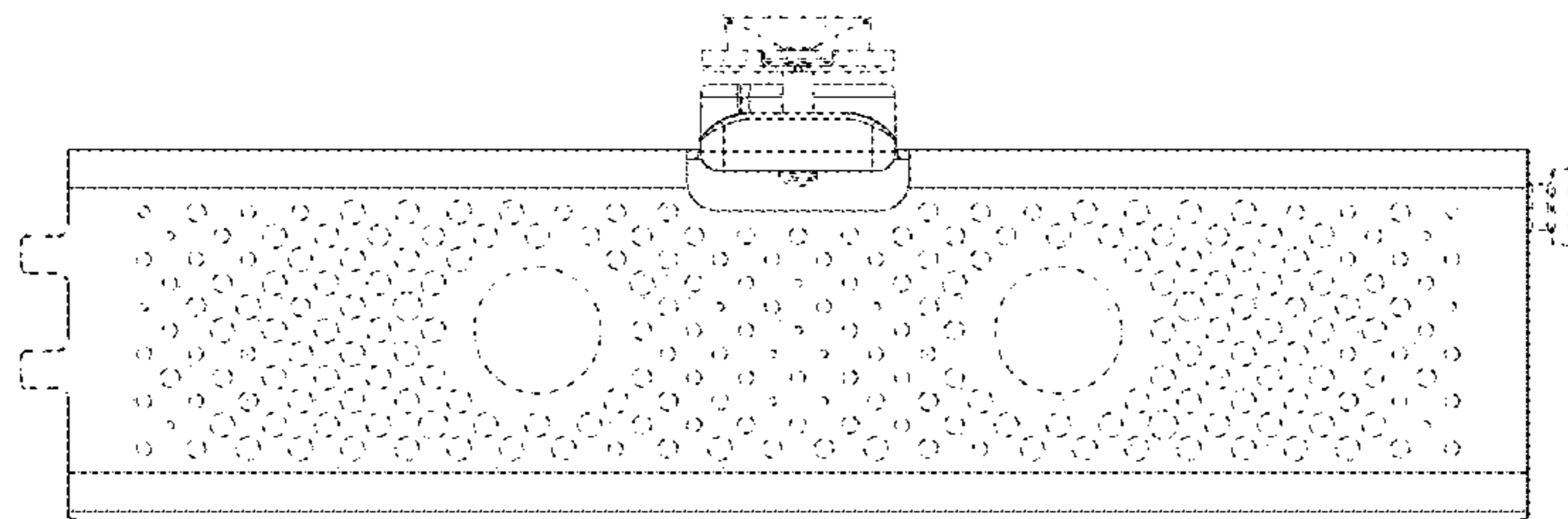


Fig. 7

UNITED STATES PATENT AND TRADEMARK OFFICE
CERTIFICATE OF CORRECTION

PATENT NO. : D726,441 S
APPLICATION NO. : 29/484743
DATED : April 14, 2015
INVENTOR(S) : Yang et al.

Page 1 of 1

It is certified that error appears in the above-identified patent and that said Letters Patent is hereby corrected as shown below:

Title page, item 56 in column 2, under Other Publications at the second line, change
“29/484,567” to --29/484,885--.

Signed and Sealed this
Thirtieth Day of August, 2016



Michelle K. Lee
Director of the United States Patent and Trademark Office