



US00D726440S

(12) **United States Design Patent**
Giovannoni

(10) **Patent No.:** **US D726,440 S**
(45) **Date of Patent:** **** Apr. 14, 2015**

(54) **DISPENSER**

206/391; 211/13.1, 45, 86.01, 87.01;
222/281-282, 173, 180; 221/26, 33,
221/282-283

(71) Applicant: **Delicarta S.p.A.**, Porcari (IT)

See application file for complete search history.

(72) Inventor: **Stefano Giovannoni**, Milan (IT)

(56) **References Cited**

(73) Assignee: **Delicarta S.p.A.**, Porcari (IT)

U.S. PATENT DOCUMENTS

(**) Term: **14 Years**

D615,329 S * 5/2010 Meyerhoffer D6/518
D666,035 S * 8/2012 Velazquez et al. D6/518
D695,542 S * 12/2013 Niada D6/518

(21) Appl. No.: **29/479,282**

* cited by examiner

(22) Filed: **Jan. 14, 2014**

Related U.S. Application Data

Primary Examiner — Brian N Vinson

(62) Division of application No. 29/459,569, filed on Jul. 1, 2013, now Pat. No. Des. 703,463, which is a division of application No. 29/439,865, filed on Dec. 17, 2012, now Pat. No. Des. 687,653.

(74) *Attorney, Agent, or Firm* — McGlew and Tuttle, P.C.

(30) **Foreign Application Priority Data**

(57) **CLAIM**

The ornamental design for a dispenser, as shown and described.

Jun. 27, 2012 (EM) 002064394

(51) **LOC (10) Cl.** **20-02**

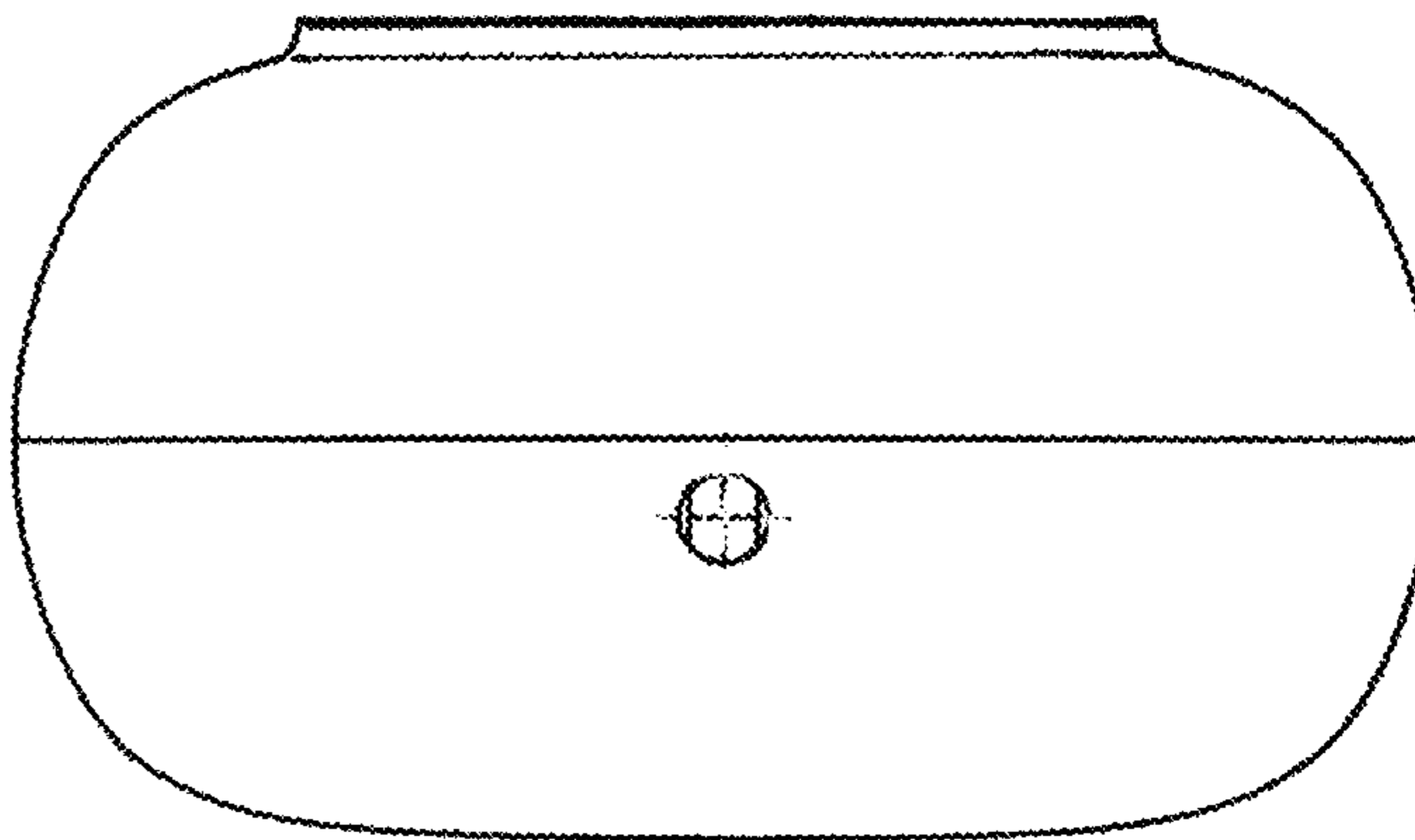
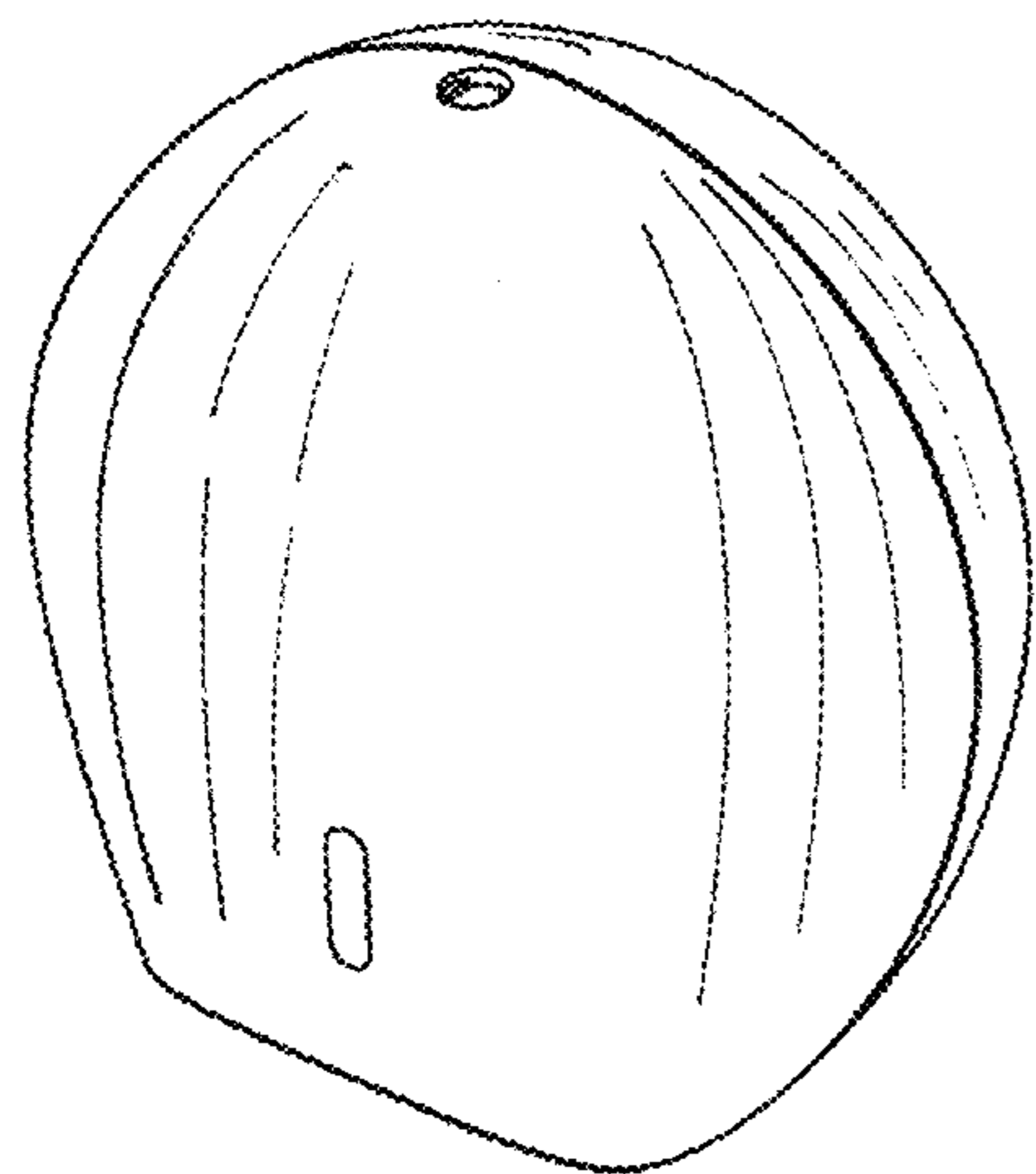
(52) **U.S. Cl.**
USPC **D6/518**

(58) **Field of Classification Search**
USPC D6/515-523, 545; 206/225, 233, 389,

DESCRIPTION

FIG. 1 is a perspective view of my dispenser design; FIG. 2 is a right side view of the design of FIG. 1; FIG. 3 is a front view of the design of FIG. 1; FIG. 4 is a left side view of the design of FIG. 1; and, FIG. 5 is a top view of the design of FIG. 1.

1 Claim, 3 Drawing Sheets



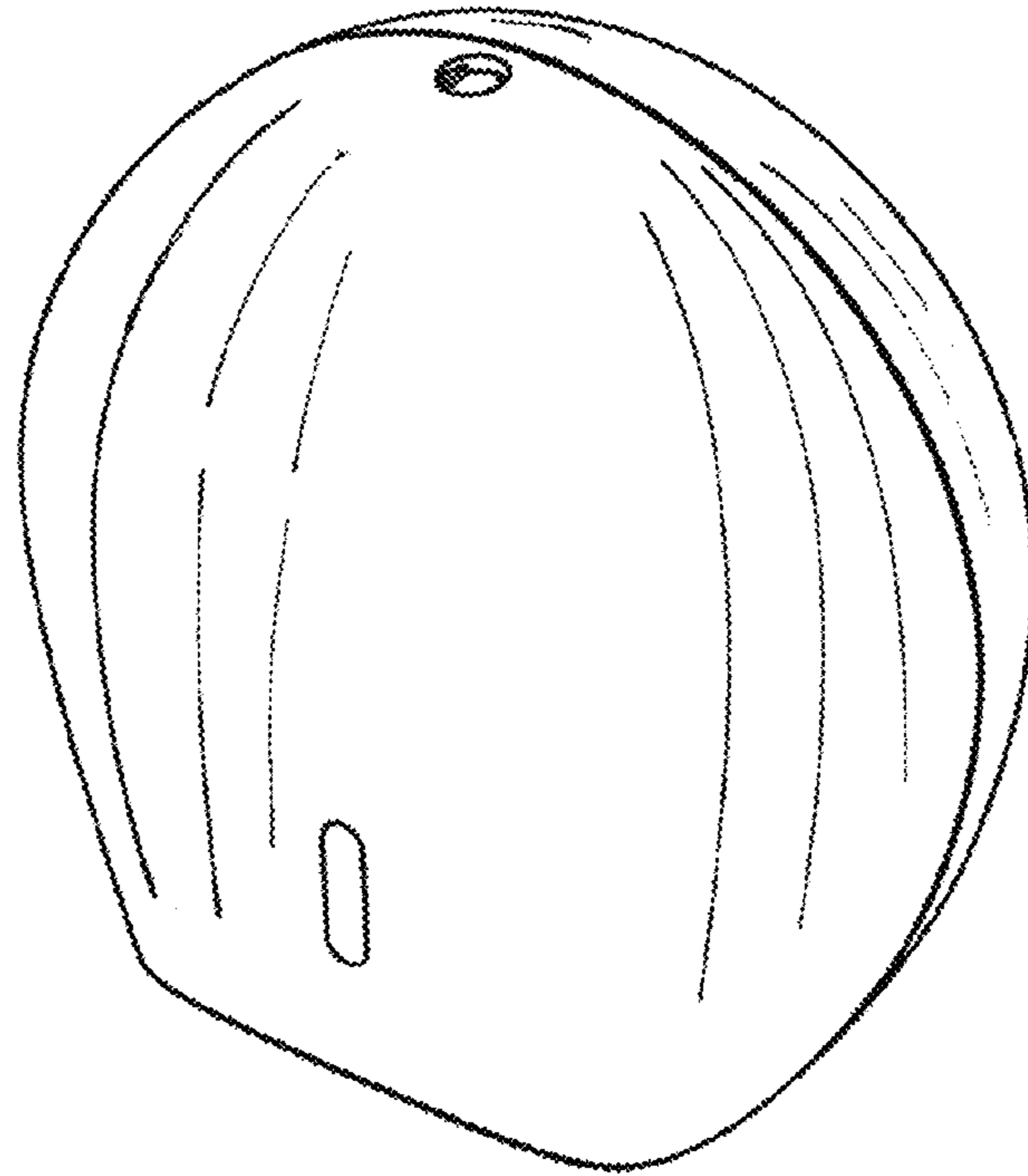


Fig. 1

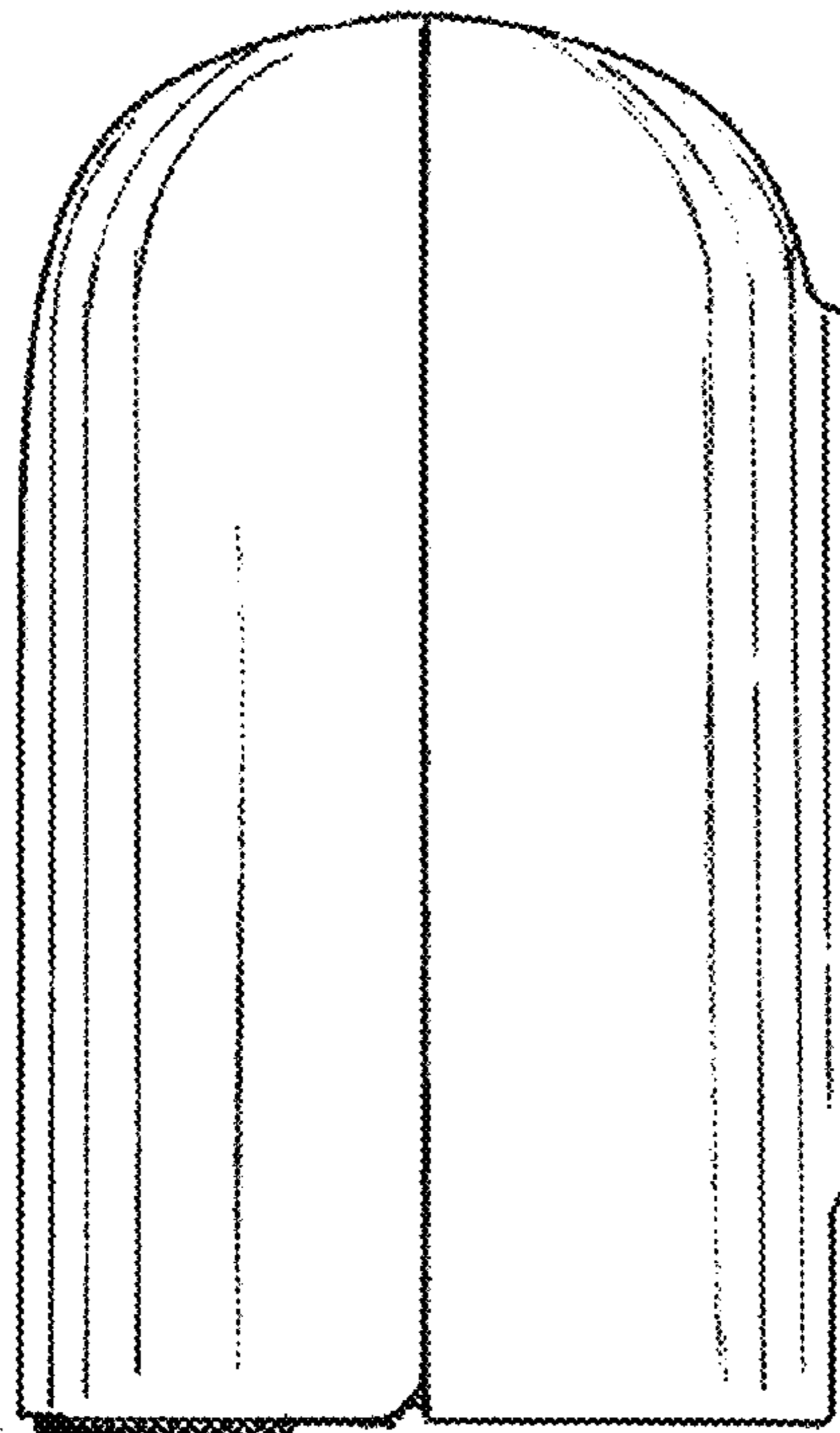


Fig. 2

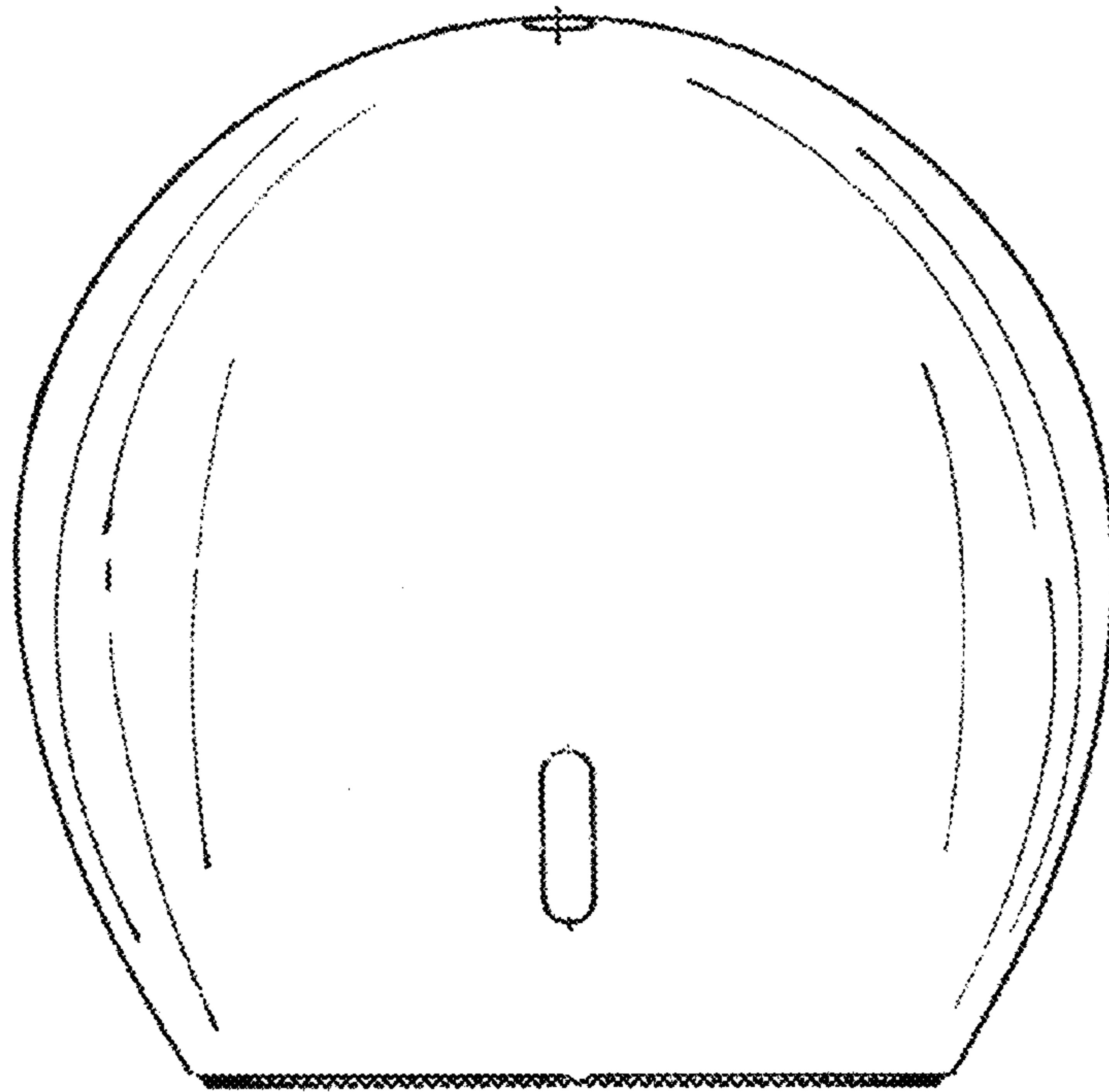


Fig. 3

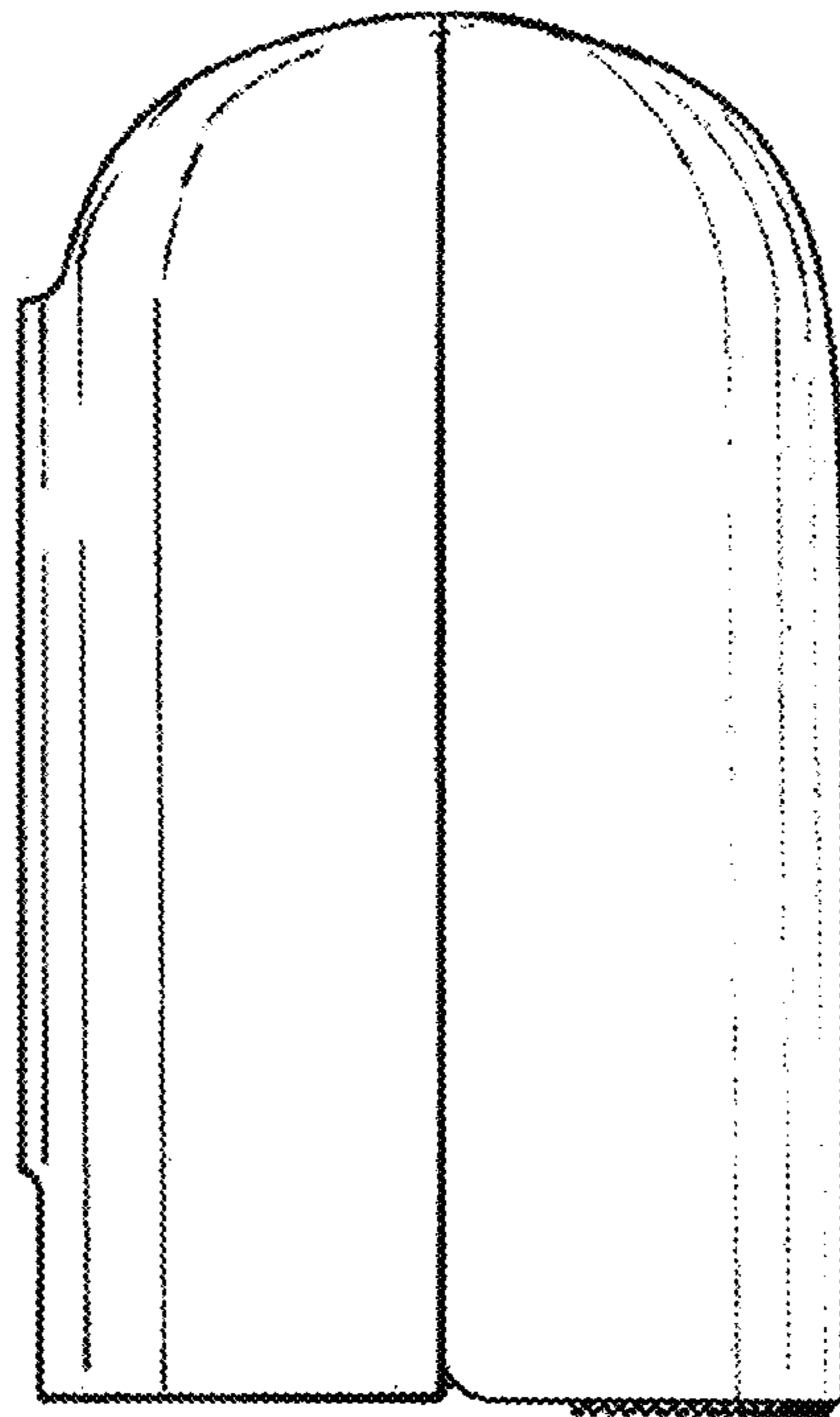


Fig. 4

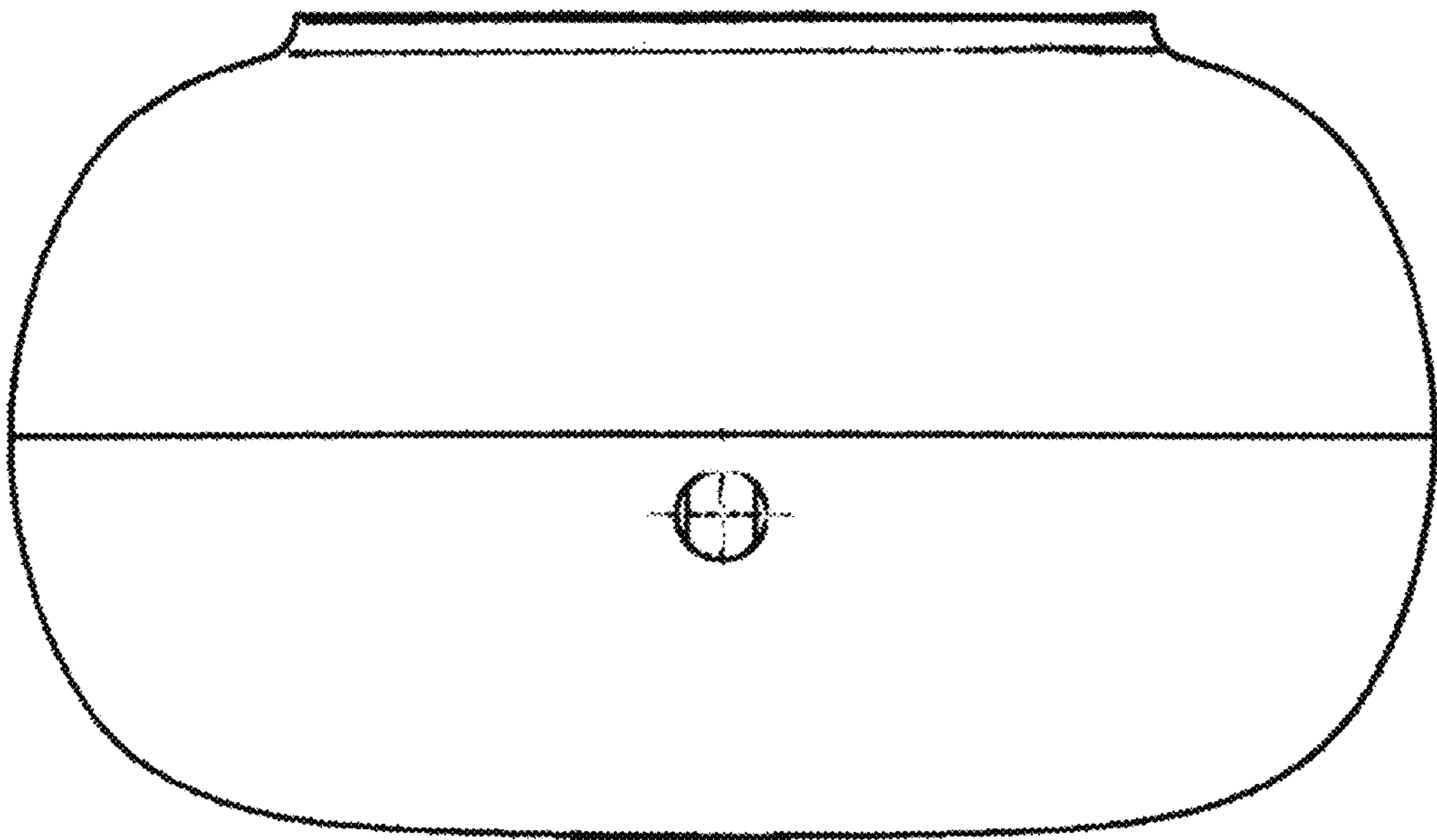


Fig. 5