



US00D726436S

(12) **United States Design Patent**
Podsiadlo et al.

(10) **Patent No.:** **US D726,436 S**

(45) **Date of Patent:** **** Apr. 14, 2015**

(54) **SOFA**

(71) Applicant: **Gus Design Group Inc.**, Toronto (CA)

(72) Inventors: **David Podsiadlo**, Toronto (CA); **Joran Van Lange**, Toronto (CA)

(73) Assignee: **Gus Design Group Inc.**, Toronto (CA)

(**) Term: **14 Years**

(21) Appl. No.: **29/484,664**

(22) Filed: **Mar. 12, 2014**

(30) **Foreign Application Priority Data**

Nov. 13, 2013 (CA) 153842

(51) **LOC (10) Cl.** **06-01**

(52) **U.S. Cl.**
USPC **D6/381**

(58) **Field of Classification Search**
USPC D6/334–338, 349, 355, 361, 368–370,
D6/376, 379–381, 716, 716.1, 716.2, 340,
D6/354, 377; 297/16.1, 42, 94, 135, 175,
297/232, 233, 350, 351, 445.1, 448.1,
297/448.2, 451.9; 5/12.1, 12.2

See application file for complete search history.

(56) **References Cited**

U.S. PATENT DOCUMENTS

2,217,426 A * 10/1940 Zareko 297/117
D234,731 S * 4/1975 McDonald D6/371
3,973,800 A * 8/1976 Kogan 297/440.23
4,026,567 A * 5/1977 Rye 297/448.1
D495,514 S * 9/2004 Ricci D6/381
D499,261 S * 12/2004 Ricci D6/381
7,020,911 B2 * 4/2006 Oldham 5/12.2

D536,190 S * 2/2007 Oldham D6/381
D562,582 S * 2/2008 Hackethal et al. D6/381
D584,900 S * 1/2009 Hackethal et al. D6/334
D603,617 S * 11/2009 Weiss D6/381
D698,179 S * 1/2014 Nguyen et al. D6/381
D702,958 S * 4/2014 Natuzzi D6/381

* cited by examiner

Primary Examiner — Sandra Snapp

(74) *Attorney, Agent, or Firm* — Carter, DeLuca, Farrell & Schmidt, LLP

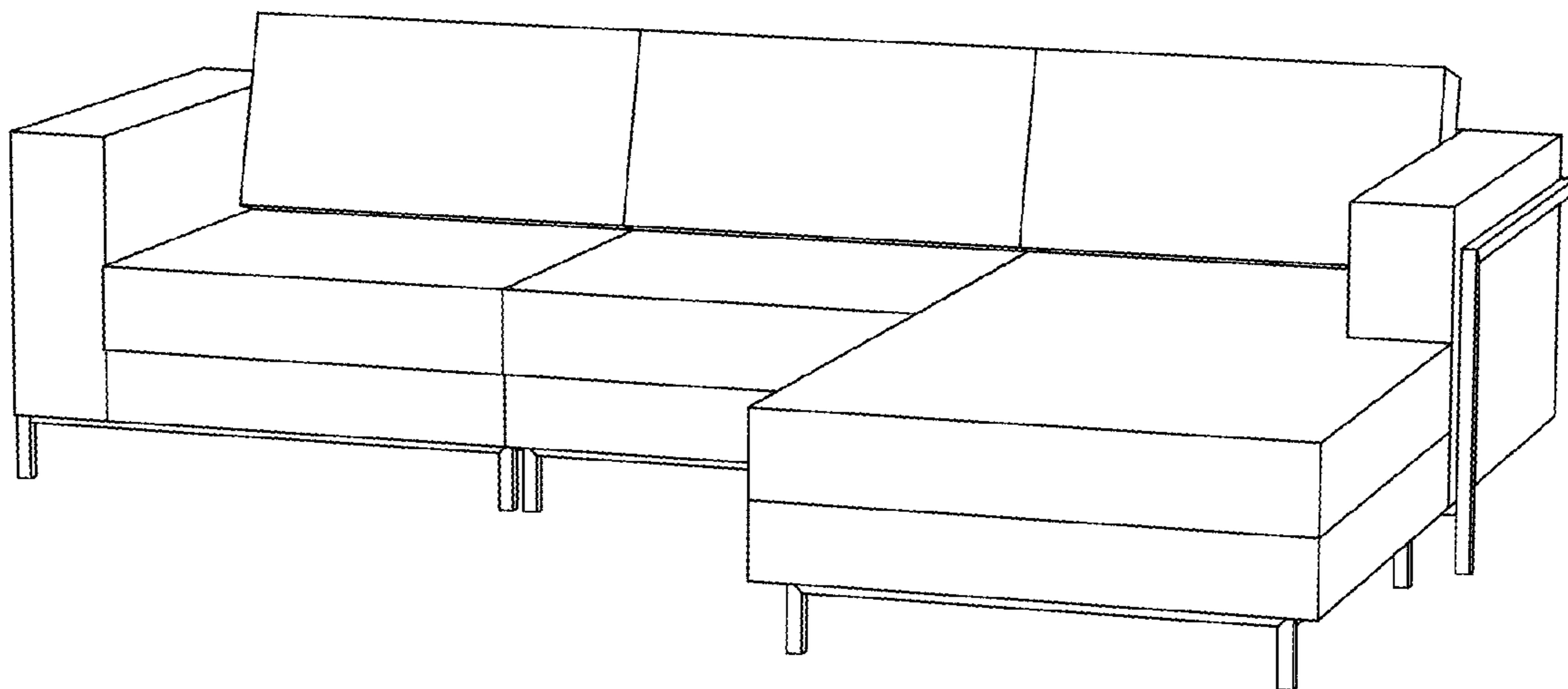
(57) **CLAIM**

The ornamental design for a sofa, as shown and described.

DESCRIPTION

FIG. 1 is a front side perspective view of one embodiment of a sofa in accordance with the present design;
FIG. 2 is a left side elevational view thereof, the right side elevational view being a mirror image thereof;
FIG. 3 is a front elevational view thereof;
FIG. 4 is a rear elevational view thereof;
FIG. 5 is a top plan view thereof;
FIG. 6 is a bottom plan view thereof;
FIG. 7 is a front side perspective view of an alternative embodiment in accordance with the present design of FIG. 1;
FIG. 8 is a left side elevational view of the alternative embodiment illustrated in FIG. 7, the right side elevational view being a mirror image thereof;
FIG. 9 is a front elevational view of the alternative embodiment illustrated in FIG. 7;
FIG. 10 is a rear elevational view of the alternative embodiment illustrated in FIG. 7;
FIG. 11 is a top plan view of the alternative embodiment illustrated in FIG. 7; and,
FIG. 12 is a bottom plan view of the alternative embodiment illustrated in FIG. 7.

1 Claim, 6 Drawing Sheets



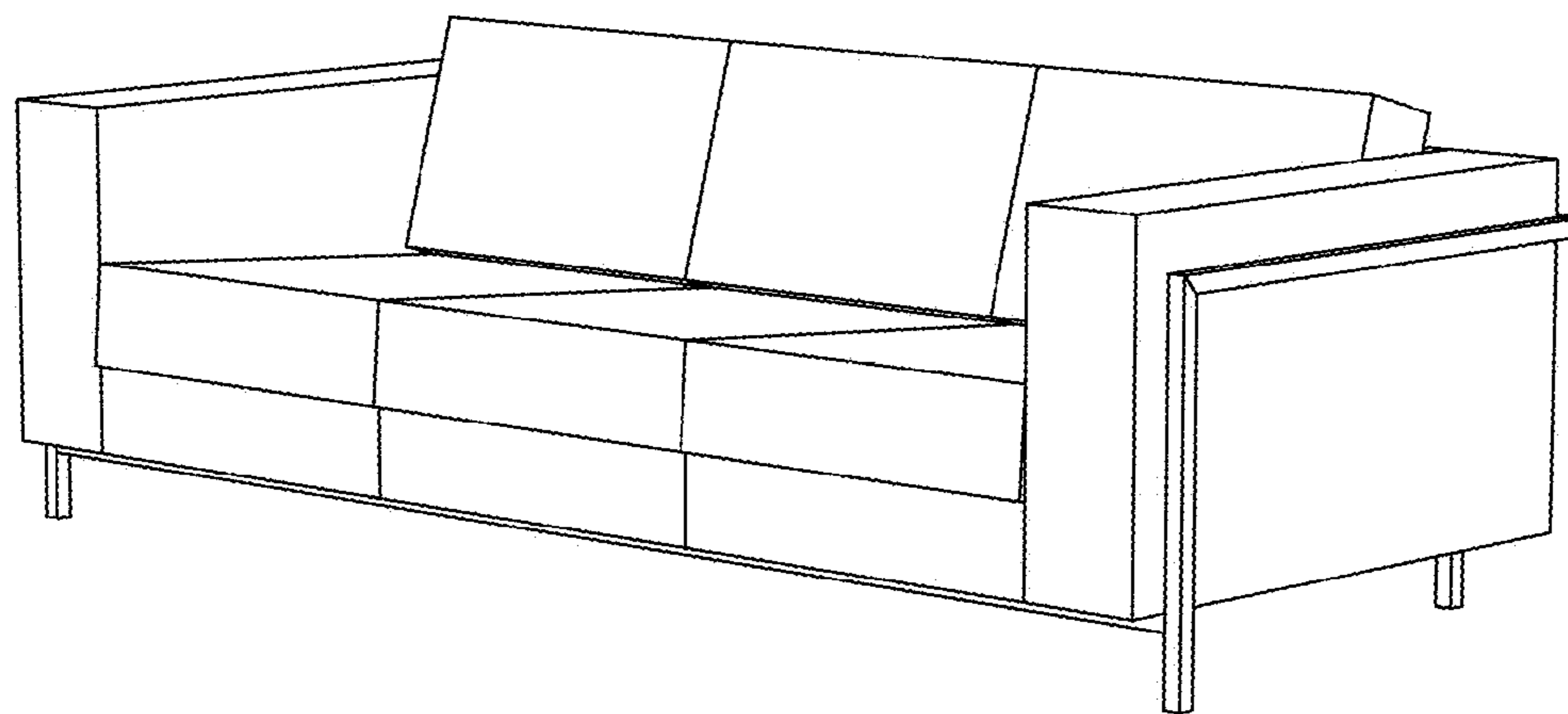


FIG. 1

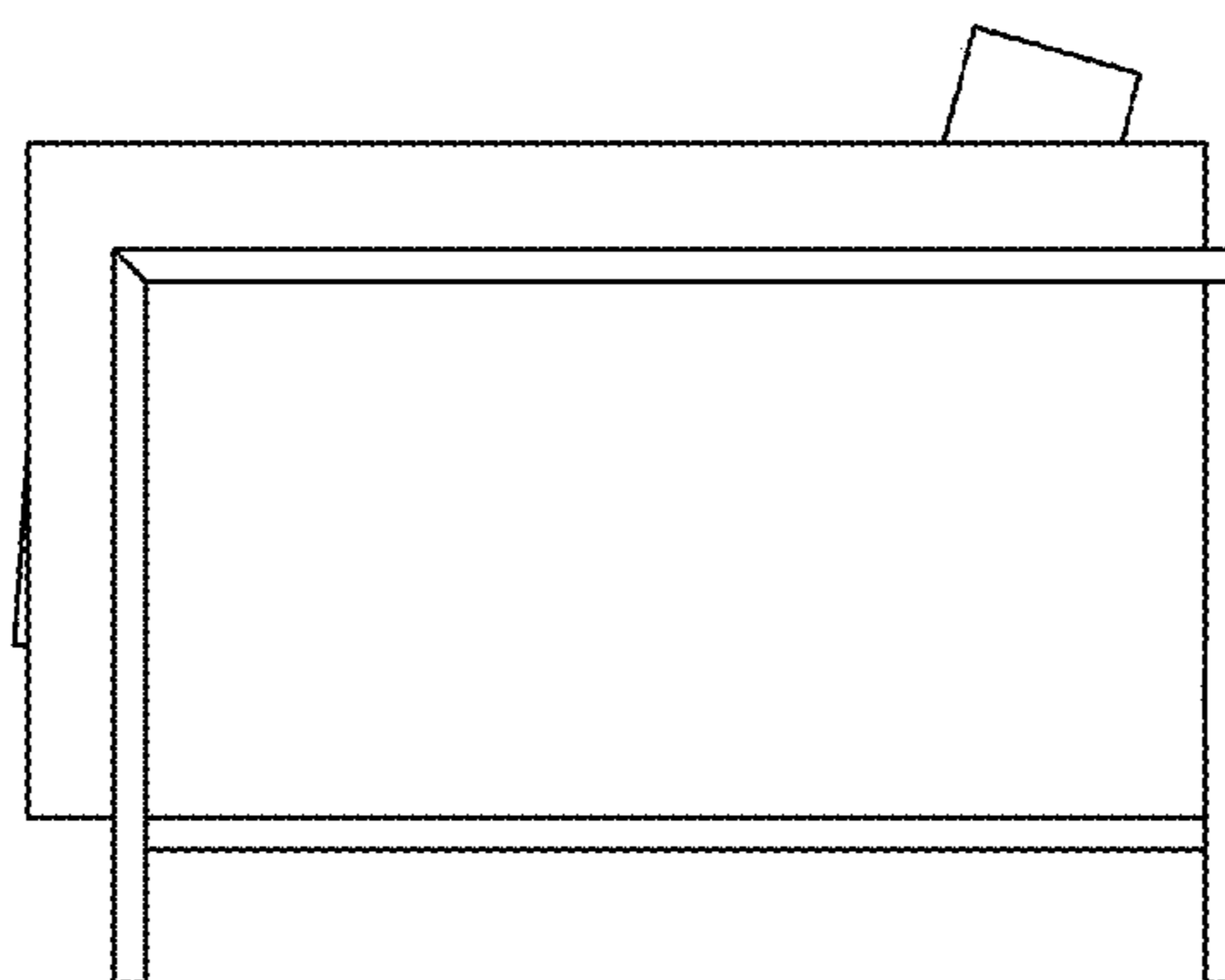


FIG. 2

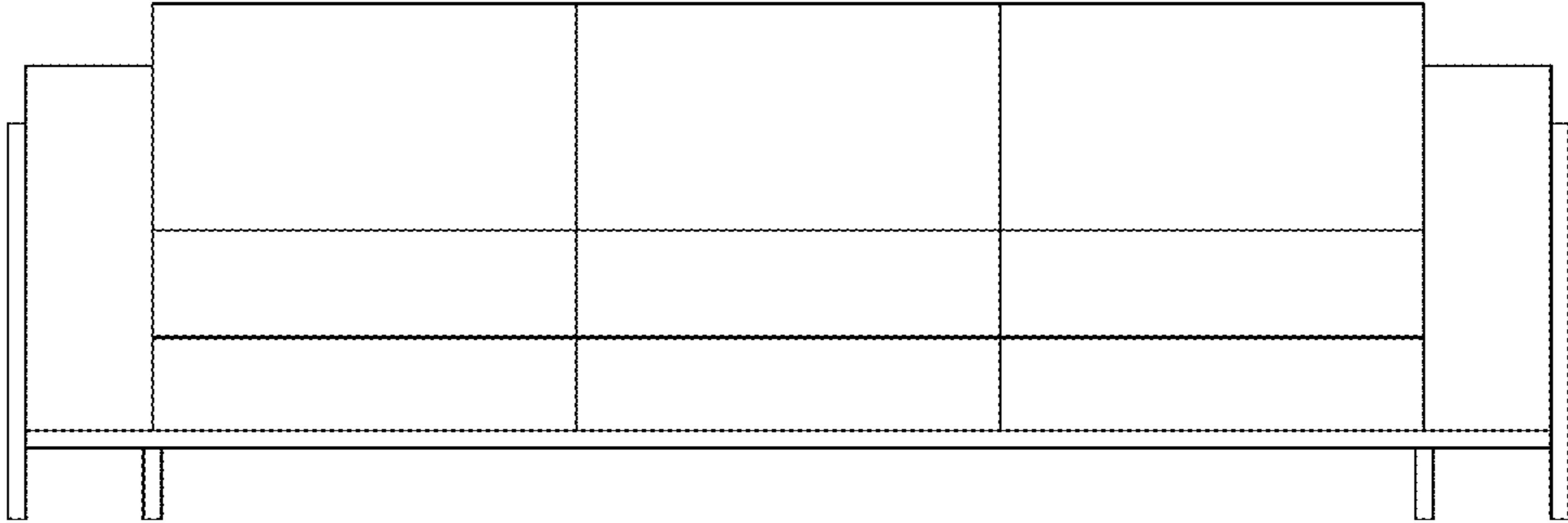


FIG. 3

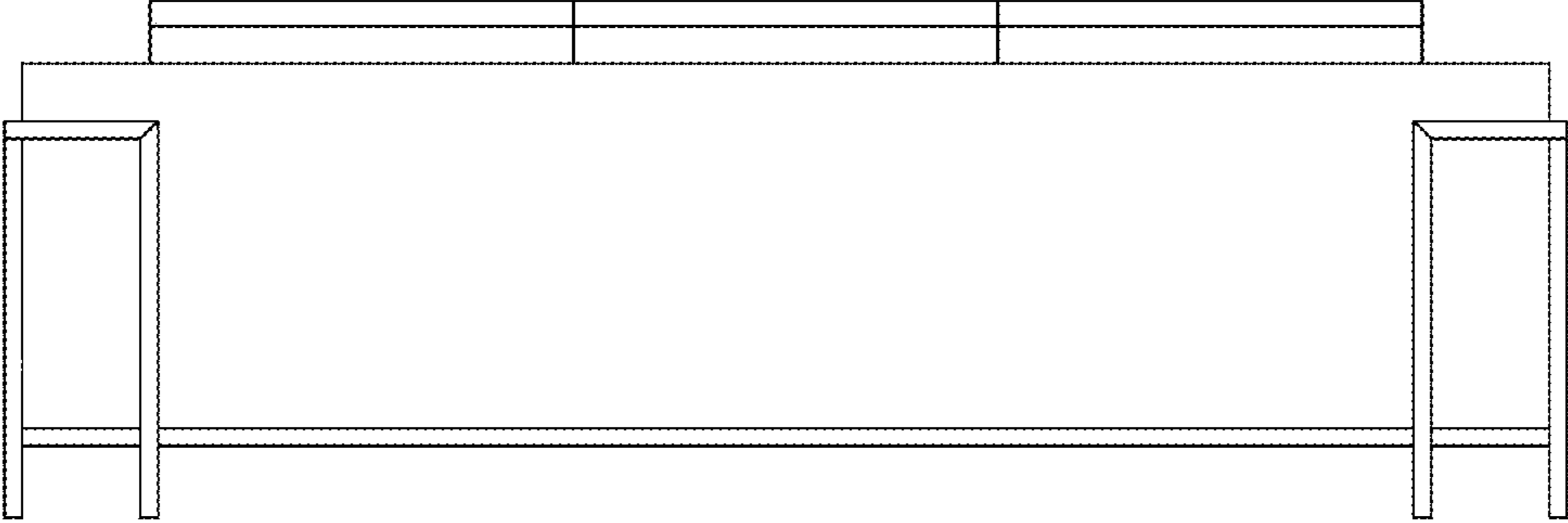


FIG. 4

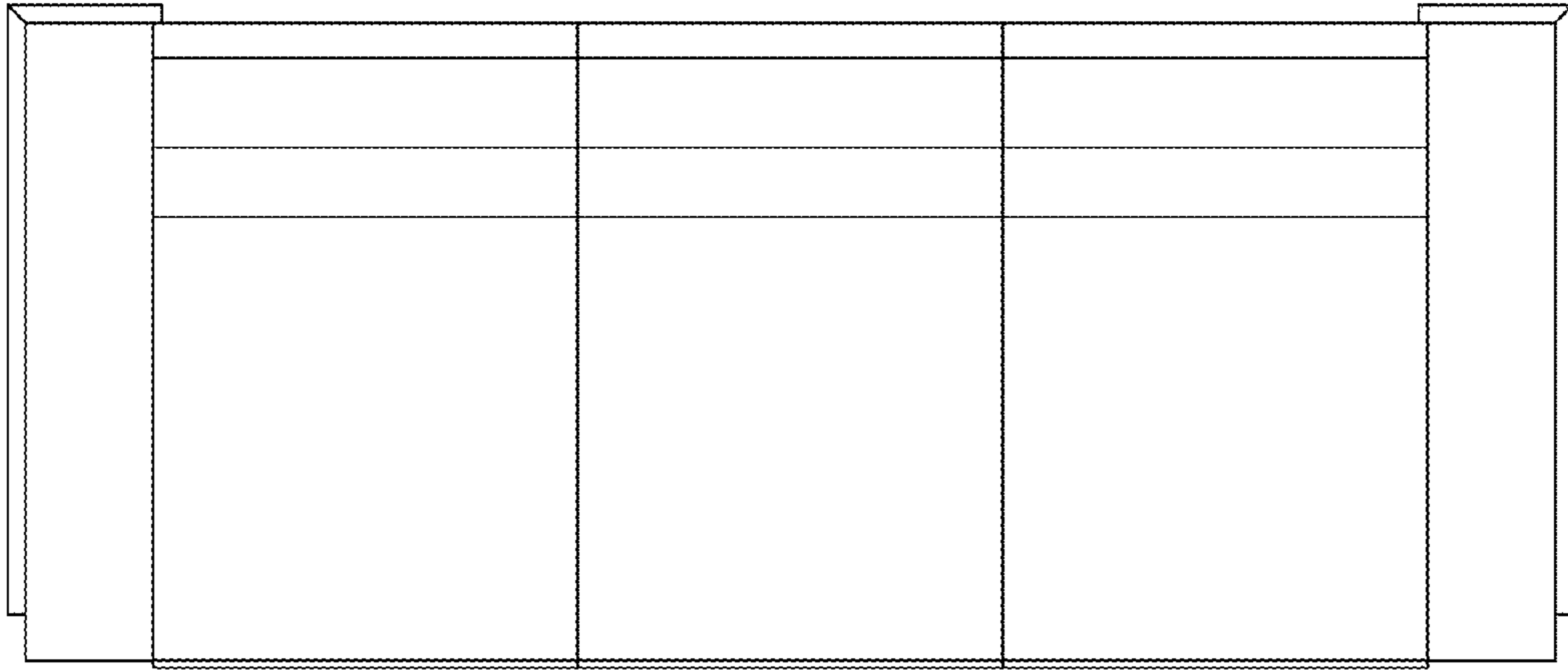


FIG. 5

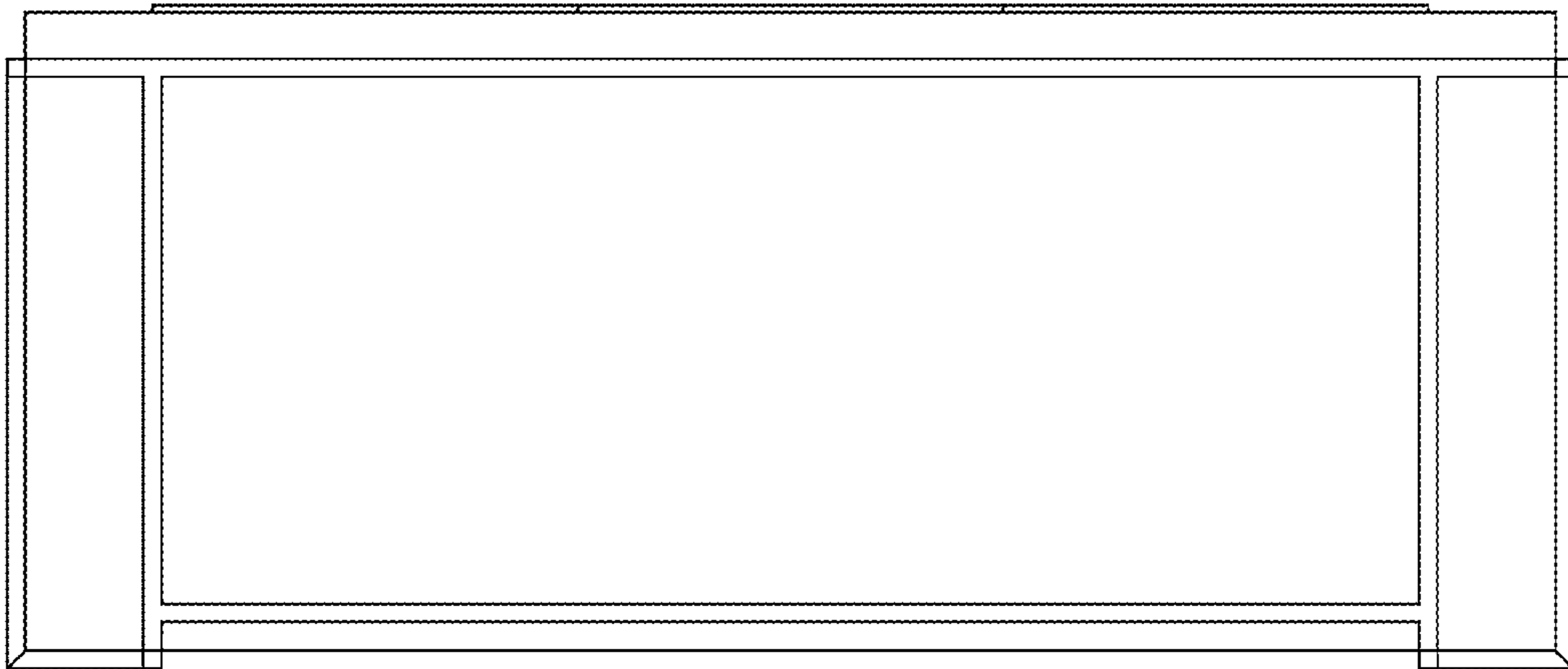


FIG. 6

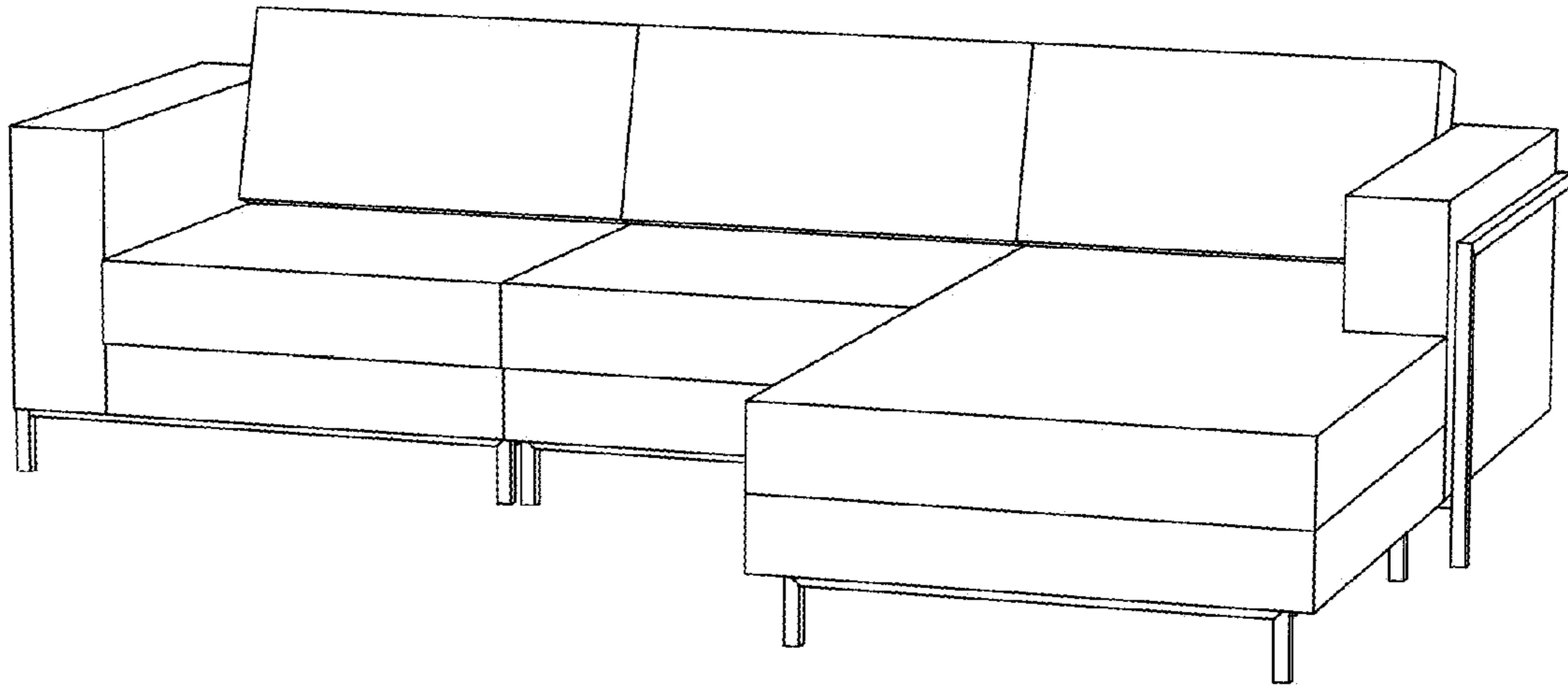


FIG. 7

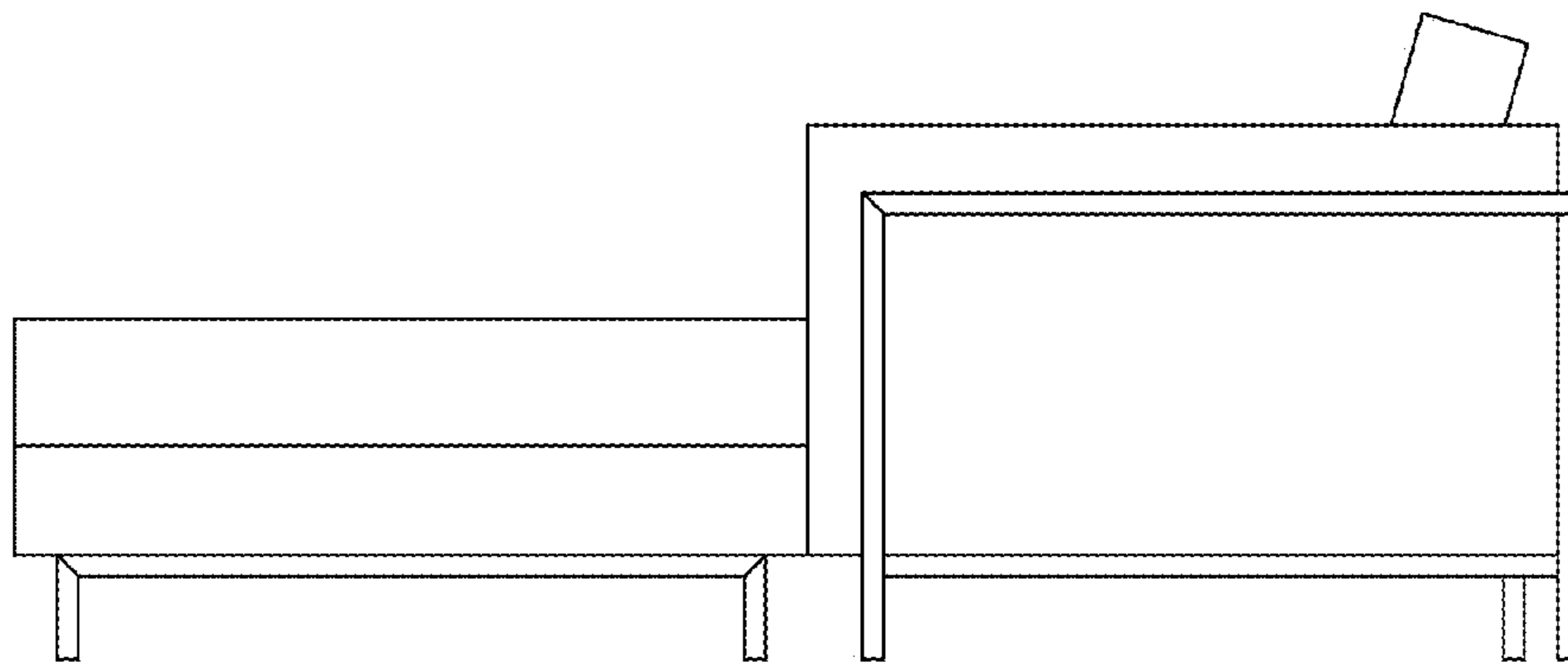


FIG. 8

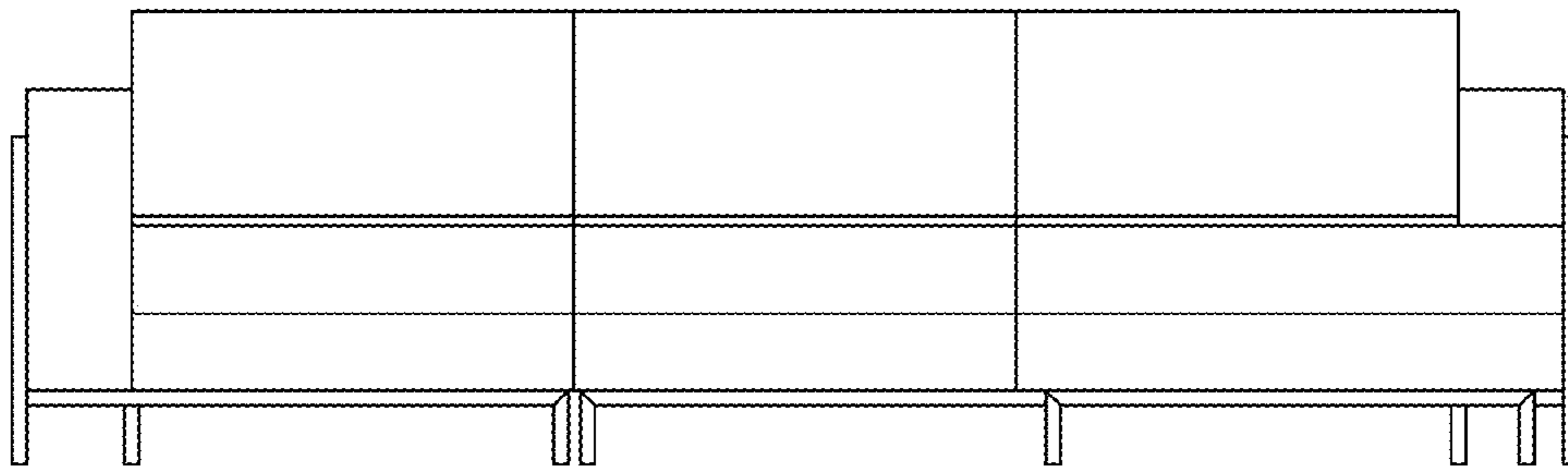


FIG. 9

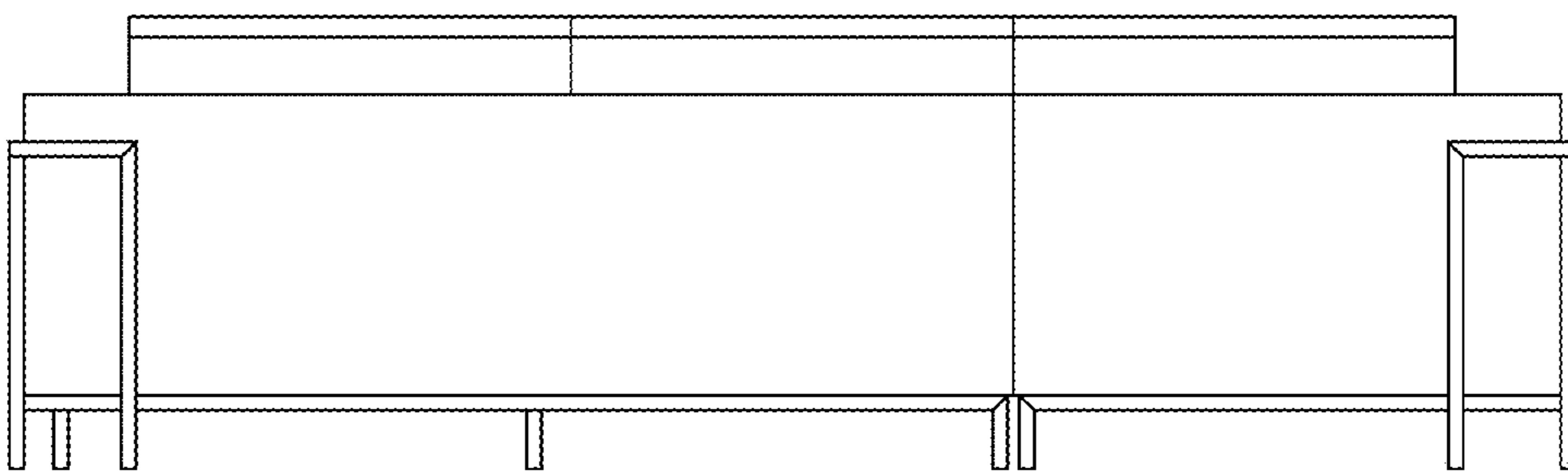


FIG. 10

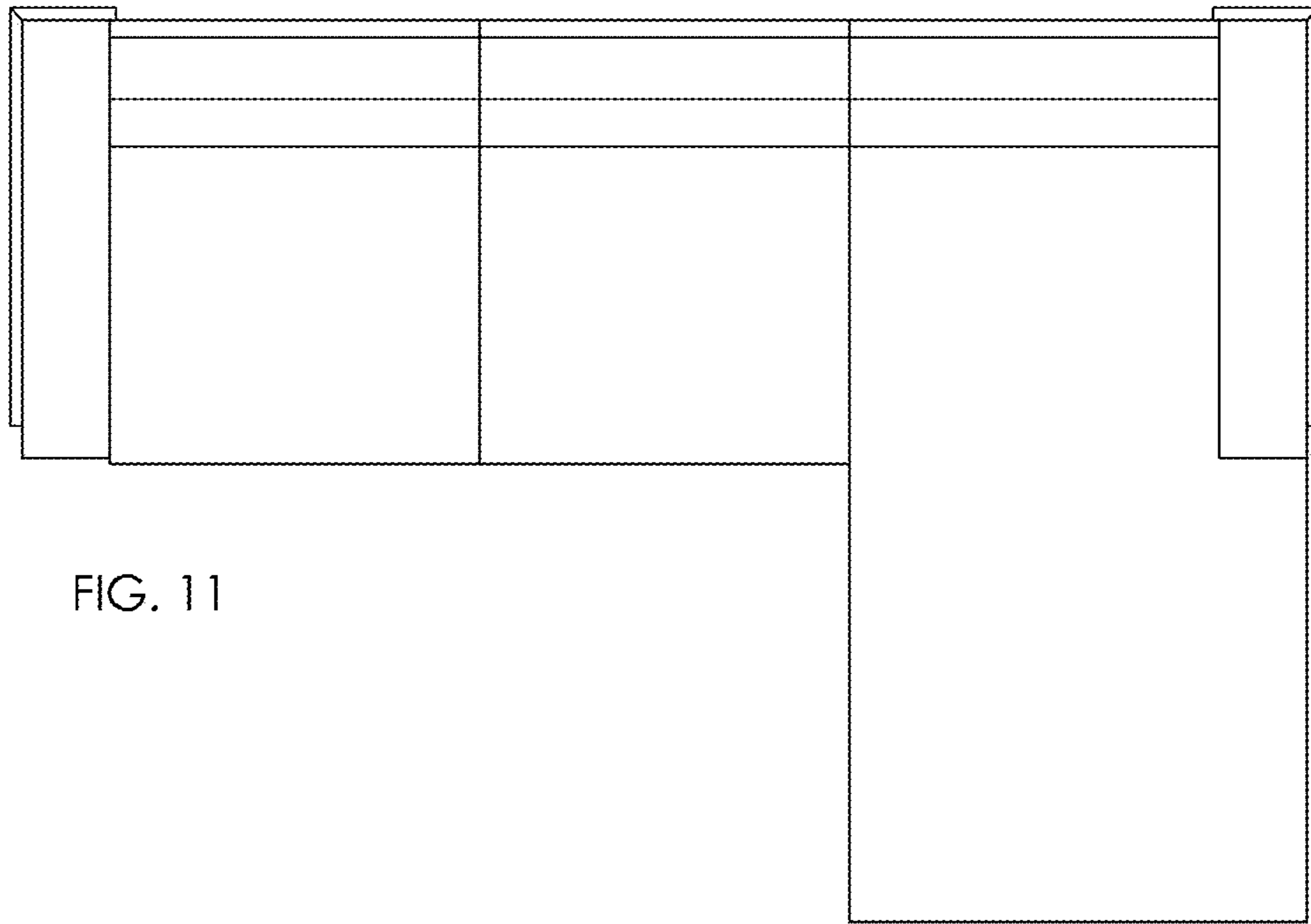


FIG. 11

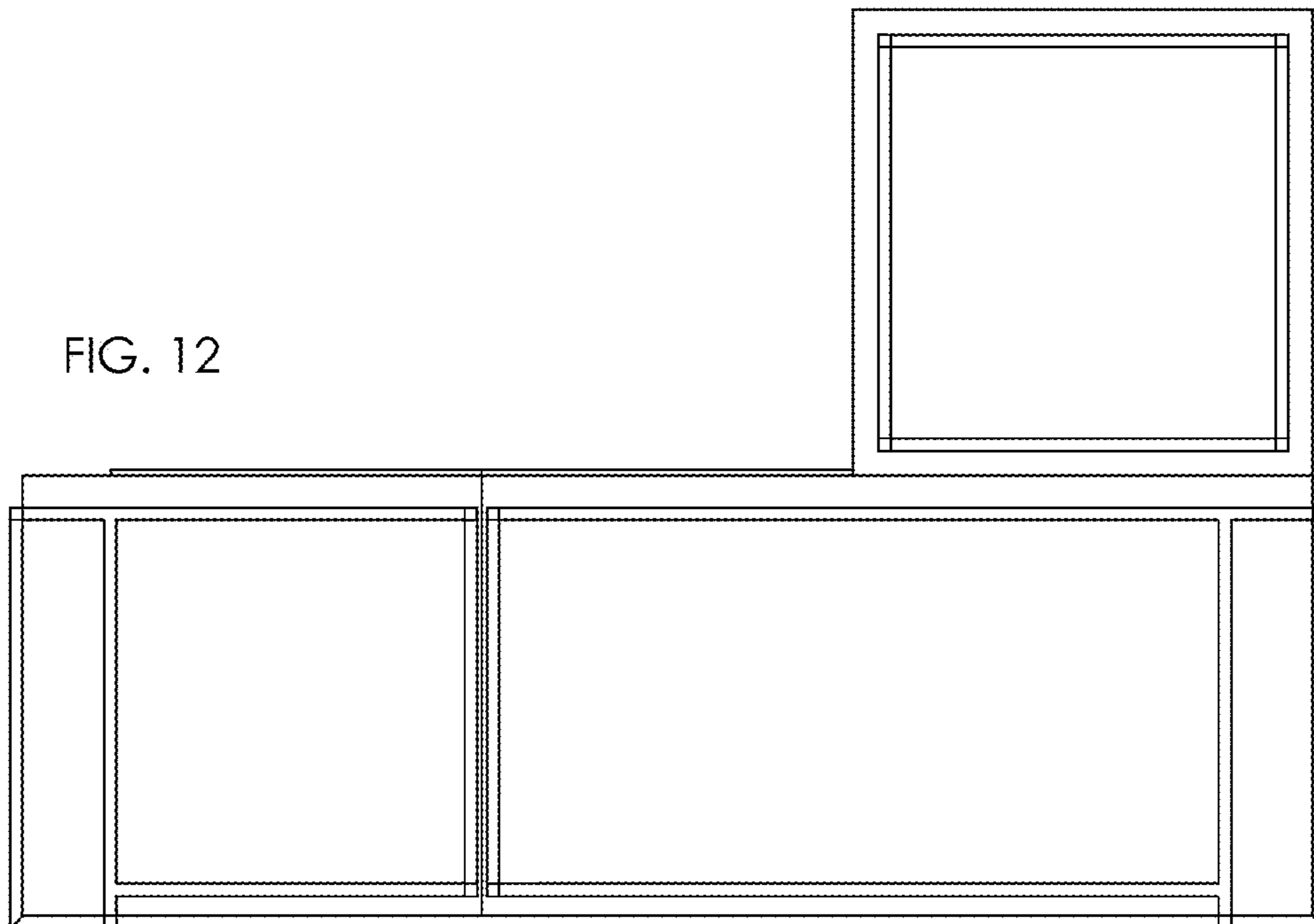


FIG. 12