



US00D726433S

(12) **United States Design Patent**
Starck

(10) **Patent No.:** **US D726,433 S**

(45) **Date of Patent:** **** Apr. 14, 2015**

(54) **SEAT FRAME**

(71) Applicant: **Emeco Industries, Inc.**, Hanover, PA
(US)

(72) Inventor: **Philippe Starck**, Paris (FR)

(73) Assignee: **Emeco Industries, Inc.**, Hanover, PA
(US)

(**) Term: **14 Years**

(21) Appl. No.: **29/486,369**

(22) Filed: **Mar. 28, 2014**

(51) **LOC (10) Cl.** **06-01**

(52) **U.S. Cl.**
USPC **D6/376; D6/360; D6/375**

(58) **Field of Classification Search**
CPC **A47C 3/04; A47C 4/03; A47C 5/12;**
A47C 3/12; A47C 9/007
USPC **D6/334-336, 360, 371, 373, 374, 375,**
D6/376, 379, 380, 716, 716.1, 716.4
See application file for complete search history.

(56) **References Cited**

U.S. PATENT DOCUMENTS

D97,015 S	9/1935	McCarty, Jr. et al.	
D142,800 S	11/1945	Watson	
D178,880 S *	10/1956	Hauser	D6/375
D180,935 S *	9/1957	Swart	D6/375
2,812,800 A *	11/1957	Eames	A47C 3/12
D181,945 S	1/1958	Saarin	
D181,975 S	1/1958	Hail	
D182,790 S	5/1958	Cohen	
RE24,569 E	11/1958	Thaden	
2,893,469 A *	7/1959	Eames et al.	A47C 3/04
3,034,830 A	3/1961	Avedon	
2,989,112 A	6/1961	Sonnleitner	
D192,029 S	1/1962	Avedon et al.	
3,025,105 A	3/1962	Nash	

D193,847 S	10/1962	Mason	
3,133,762 A *	5/1964	Newman	A47C 3/12
D199,621 S	11/1964	Johnson	
3,201,172 A	8/1965	Bliss	
3,261,640 A *	7/1966	Straits	A47C 3/12
3,264,034 A *	8/1966	Lawson	A47C 3/12
D205,939 S	10/1966	Laverne	
D210,940 S *	5/1968	Eames	D6/375
3,393,941 A	7/1968	Grosfillex	
D214,622 S *	7/1969	Schier	D6/375
D224,856 S	10/1972	Charity	
D226,648 S	4/1973	Sebel et al.	
D228,483 S *	10/1973	Sebel	D6/375

(Continued)

OTHER PUBLICATIONS

Broom Chair, designed by Philippe Starck, available from Emeco, printout available online on Mar. 28, 2014, at <http://www.starck.com/en/design/categories/furniture/chairs.html#broom>, 1-page, 2012.

(Continued)

Primary Examiner — Mimosa De

(74) *Attorney, Agent, or Firm* — Heslin Rothenberg Farley & Mesiti P.C.

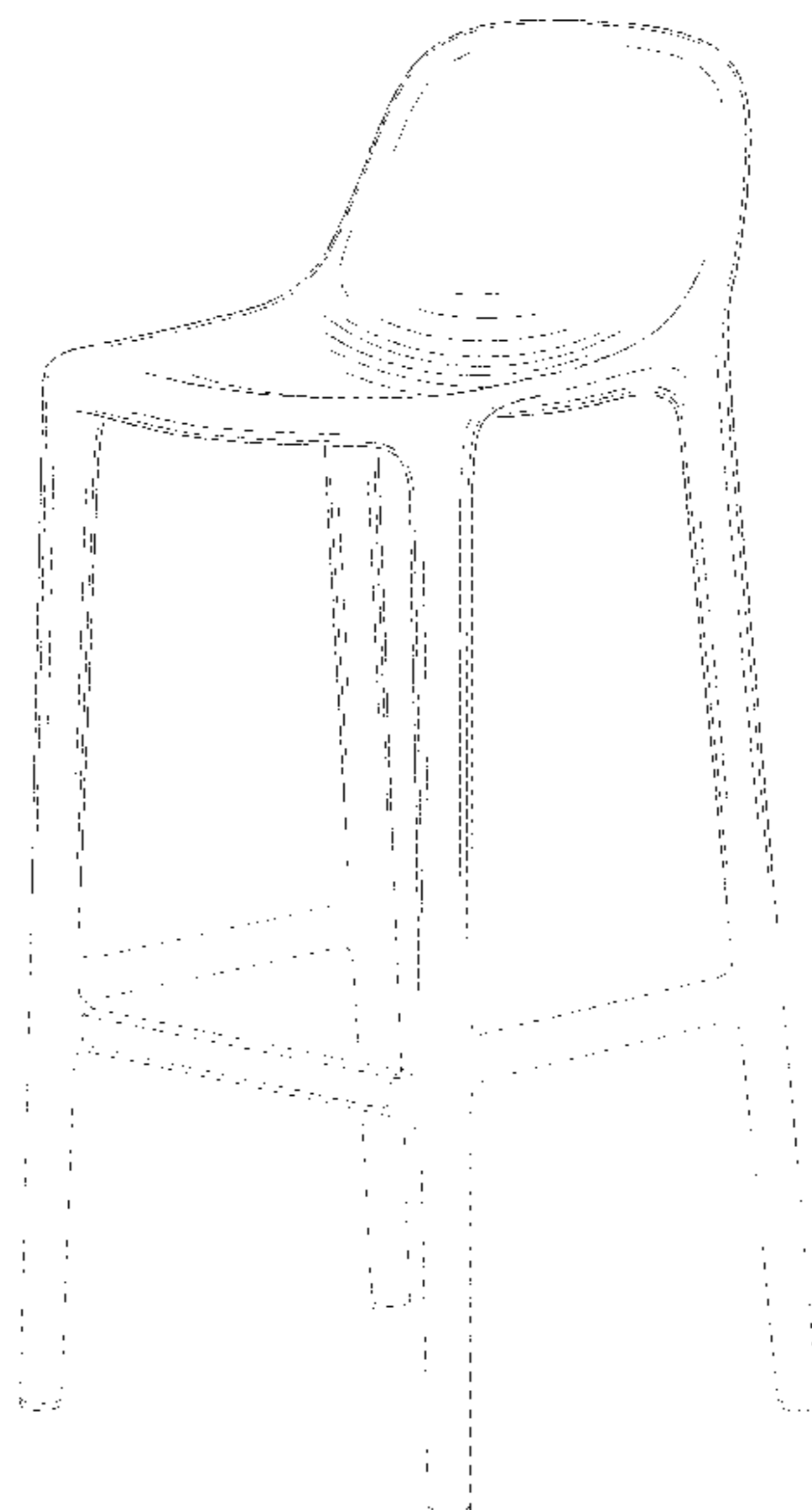
(57) **CLAIM**

The ornamental design for a seat frame, as shown and described.

DESCRIPTION

FIG. 1 is a perspective view of a seat frame in accordance with the new design;
FIG. 2 is a front elevational view thereof;
FIG. 3 is a right side elevational view thereof;
FIG. 4 is a left side elevational view thereof;
FIG. 5 is a rear elevational view thereof; and,
FIG. 6 is a top view thereof.
The broken lines in the figures are for illustration purposes only and form no part of the claimed invention.

1 Claim, 6 Drawing Sheets



(56)

References Cited

U.S. PATENT DOCUMENTS

D236,670	S *	9/1975	Uyeda	D6/375
D237,664	S	11/1975	Costabile	
D239,743	S	5/1976	Pardo Losada	
D348,788	S	7/1994	Starck	
D368,176	S	3/1996	Mourgue	
D390,026	S	2/1998	Biecher	
D440,064	S	4/2001	Deacon	
D458,467	S	6/2002	Starck	
D458,764	S	6/2002	Starck	
D460,282	S	7/2002	Starck	
D465,100	S	11/2002	Savini	
D492,131	S	6/2004	Starck	
D494,375	S	8/2004	Starck	
D496,173	S	9/2004	Starck	
D518,968	S	4/2006	Magnani et al.	
D547,980	S *	8/2007	Glass et al.	D6/716
D555,379	S	11/2007	Ziliani	
D559,001	S	1/2008	Starck	
D563,684	S	3/2008	Starck	
D592,873	S	5/2009	Orlano Jauregui	
D600,028	S	9/2009	Starck	
D600,458	S	9/2009	Starck	
D608,549	S *	1/2010	Novak et al.	D6/334
D646,069	S	10/2011	Starck	
D648,555	S	11/2011	Starck	
D650,606	S	12/2011	Radice et al.	
D656,754	S	4/2012	Starck	
D669,701	S	10/2012	Starck	
D670,099	S *	11/2012	Olivares	D6/375
D690,147	S *	9/2013	Meyer	D6/716

OTHER PUBLICATIONS

Passion Chair, designed by Philippe Starck, available from Cassina, printout available online on Mar. 28, 2014, at http://www.cassina.com/portal/page/portal/new/webpages/cassina/catalogue/product?p=code:CS_246%3bis_finder_res&lang=en, 2-page, 2007.

Joe Miller Chair, designed by Philippe Starck, available from VIA, printout available online on Mar. 28, 2014, at http://www.starck.com/en/design/categories/furniture/chairs.html#joe_miller, 1-page, 1972.

Caprice Chair, designed by Philippe Starck, available from Cassina, printout available online on Mar. 28, 2014, at http://www.starck.com/en/design/categories/furniture/chairs.html#caprice_collection_prive, 1-page, 2006.

Bo Chair, designed by Philippe Starck, available from Driade, printout available online on Mar. 28, 2014, at <http://www.starck.com/en/design/categories/furniture/chairs.html#bo>, 1-page, 2006.

Oscar Bon Chair, designed by Philippe Starck, available from Driade, printout available online on Mar. 28, 2014, at http://www.starck.com/en/design/categories/furniture/chairs.html#oscar_bon, 1-page, 2004.

Top Top Chair, designed by Philippe Starck, available from Kartell, printout available online on Mar. 28, 2014, at http://www.starck.com/en/design/categories/furniture/chairs.html#top_top_topcut, 1-page, 2005.

Super Impossible Chair, designed by Philippe Starck, available from Kartell, printout available online on Mar. 28, 2014, at http://www.starck.com/en/design/categories/furniture/chairs.html#super_impossible, 1-page, 2010.

Mr. Impossible Chair, designed by Philippe Starck, available from Kartell, printout available online on Mar. 28, 2014, at http://www.starck.com/en/design/categories/furniture/chairs.html#mr_impossible, 1-page, 2007.

Zartan Chair, designed by Philippe Starck, available from Magis, printout available online on Mar. 28, 2014, at <http://www.starck.com/en/design/categories/furniture/chairs.html#zartan>, 1-page, Apr. 2012.

Out-In Chair, designed by Philippe Starck, available from Driade, printout available online on Mar. 28, 2014, at <http://www.starck.com/en/design/categories/furniture/chairs.html#out-in>, 1-page, 2009.

Miss Lacy Chair, designed by Philippe Starck, available from Driade, printout available online on Mar. 28, 2014, at http://www.starck.com/en/design/categories/furniture/chairs.html#miss_lacy, 1-page, 2007.

Dr. Yes Chair, designed by Philippe Starck, available from Kartell, printout available online on Mar. 28, 2014, at http://www.starck.com/en/design/categories/furniture/chairs.html#dr_yes, 1-page, 2007.

Lago Chair, designed by Philippe Starck, available from Driade, printout available online on Mar. 28, 2014, at <http://www.starck.com/en/design/categories/furniture/chairs.html#lago>, 1-page, 2005.

Couture Chair, designed by Philippe Starck, available from XO, printout available online on Mar. 28, 2014, at <http://www.starck.com/en/design/categories/furniture/chairs.html#couture>, 1-page, 2004.

Soft Egg Chair, designed by Philippe Starck, available from Driade, printout available online on Mar. 28, 2014, at http://www.starck.com/en/design/categories/furniture/chairs.html#soft_egg, 1-page, 2002.

Cam El Eon Chair, designed by Philippe Starck, available from Driade, printout available online on Mar. 28, 2014, at http://www.starck.com/en/design/categories/furniture/chairs.html#cam_el_eon_chair, 1-page, 1999.

Eros Chair, designed by Philippe Starck, available from Kartell, printout available online on Mar. 28, 2014, at <http://www.starck.com/en/design/categories/furniture/chairs.html#eros>, 1-page, 1999.

* cited by examiner

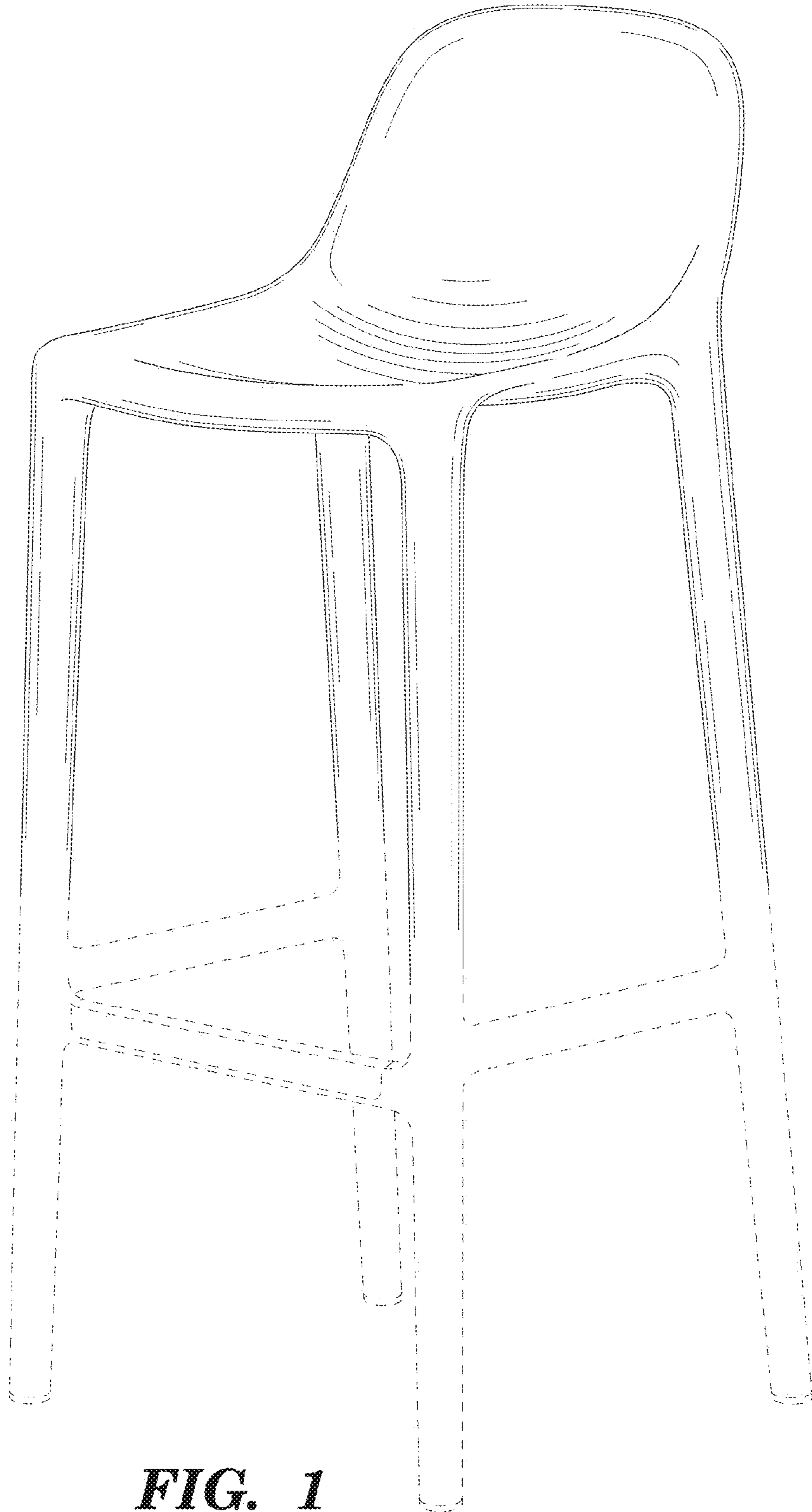


FIG. 1

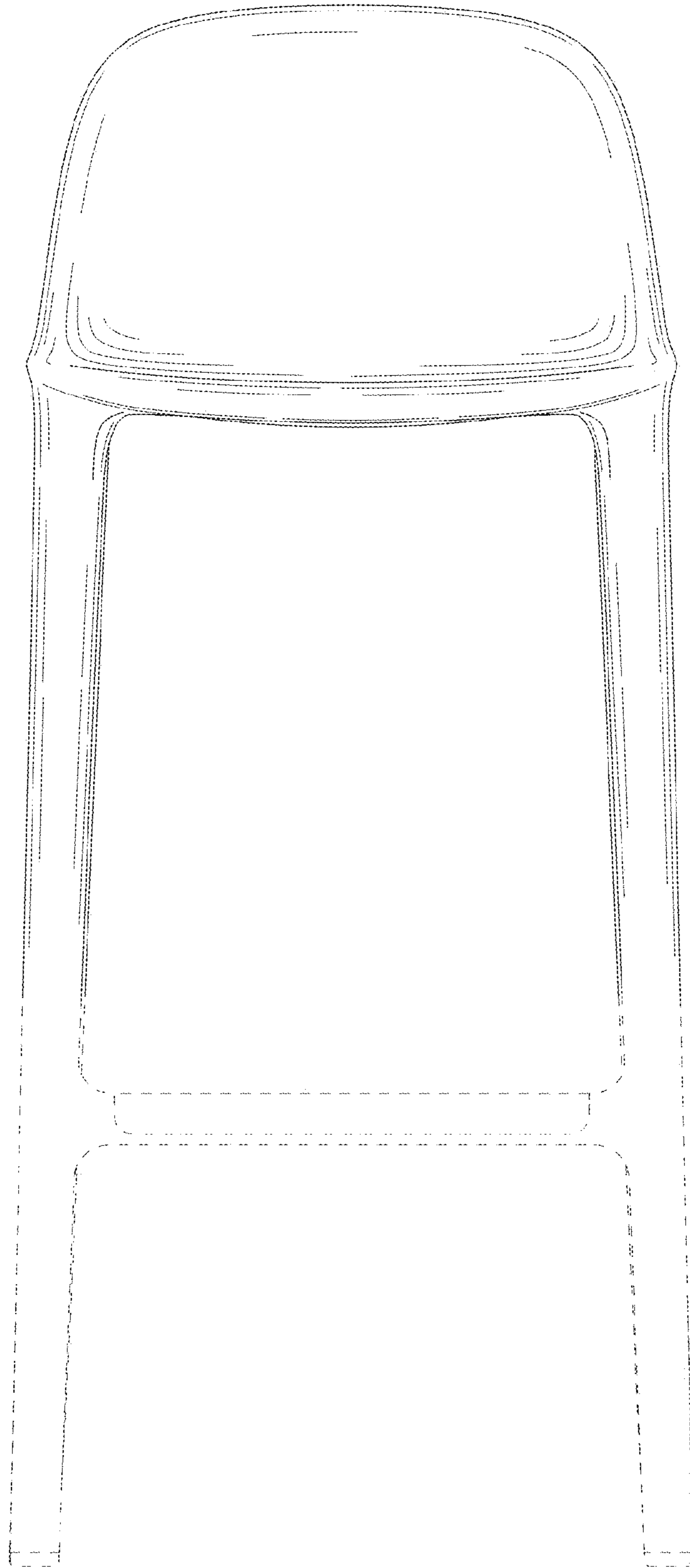


FIG. 2

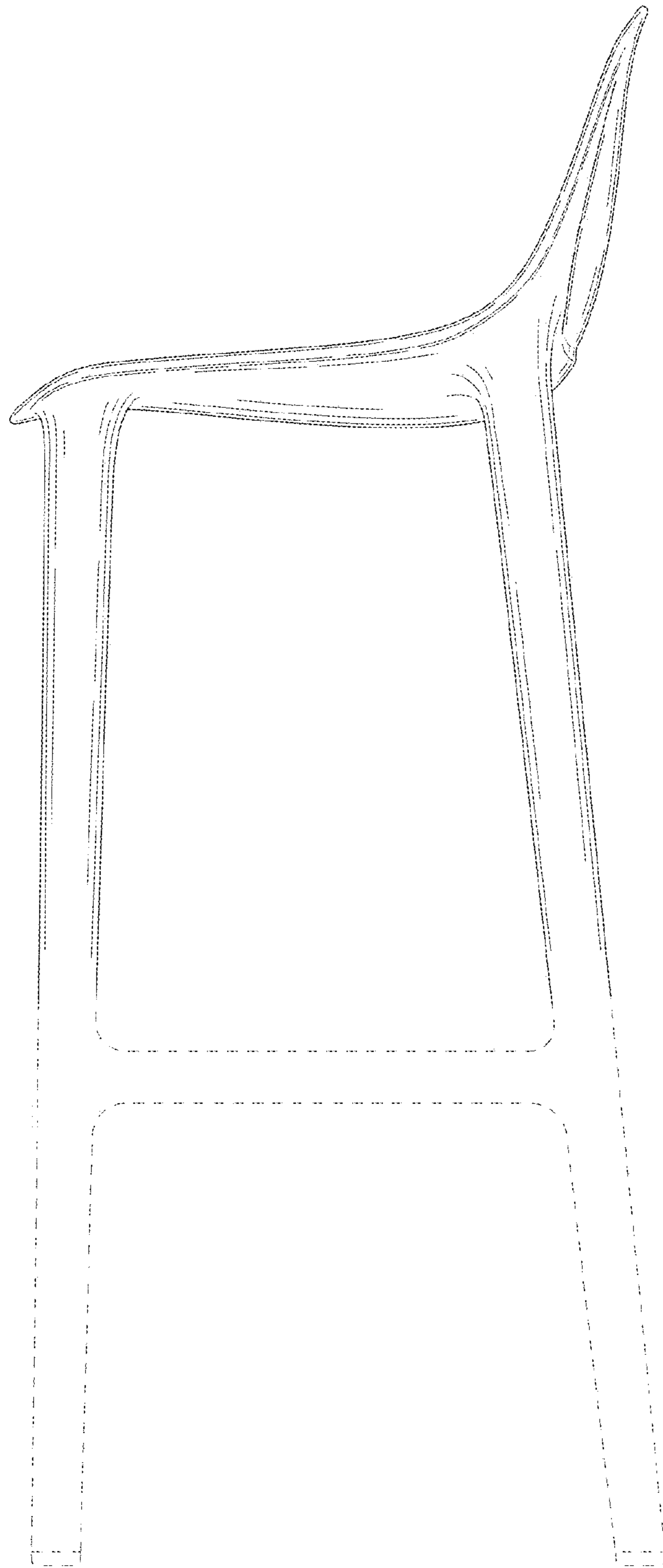


FIG. 3

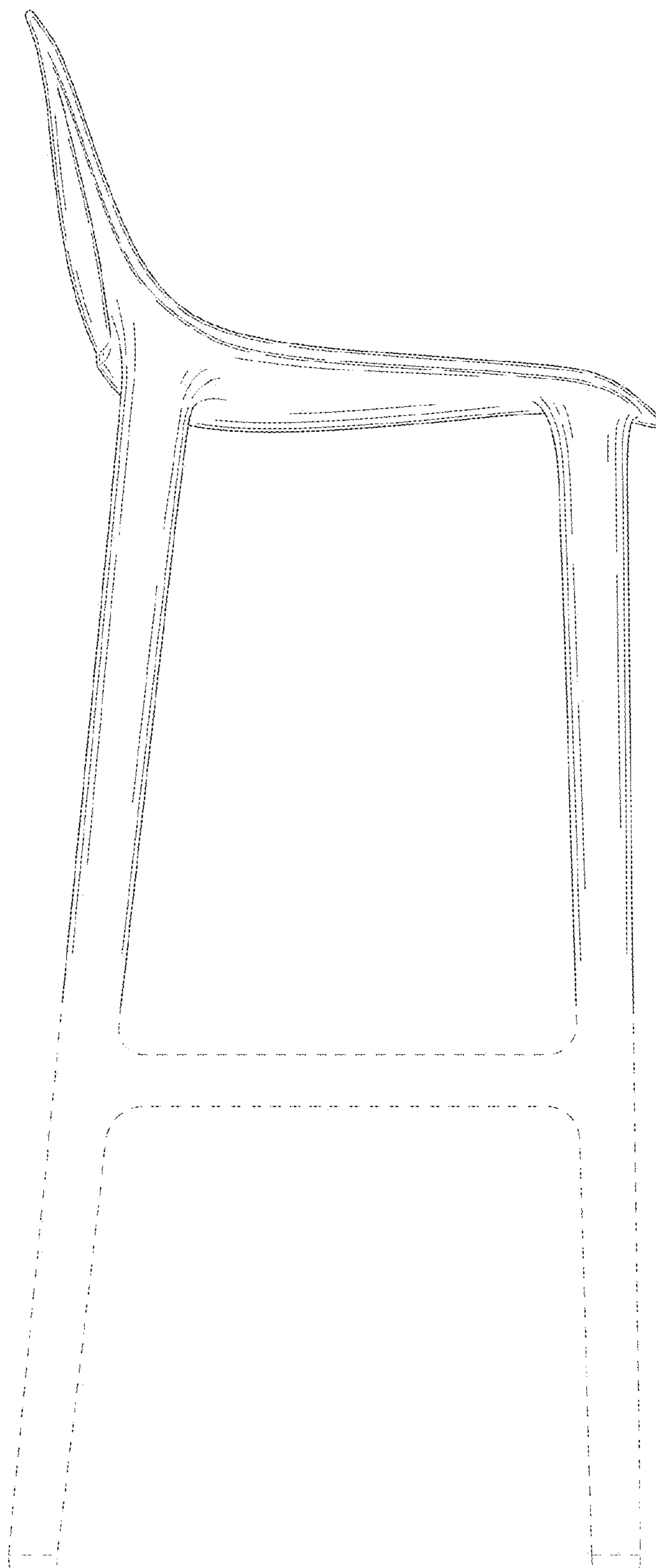


FIG. 4

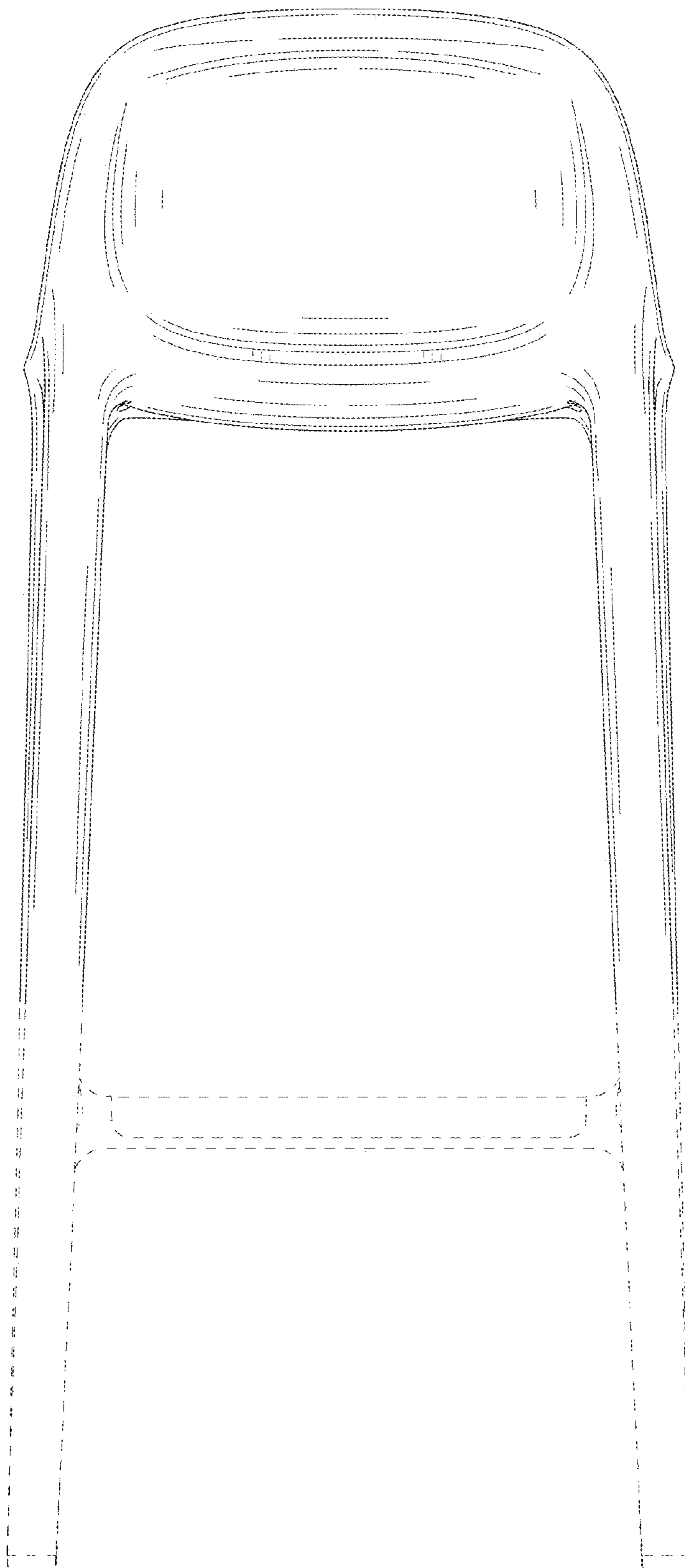


FIG. 5

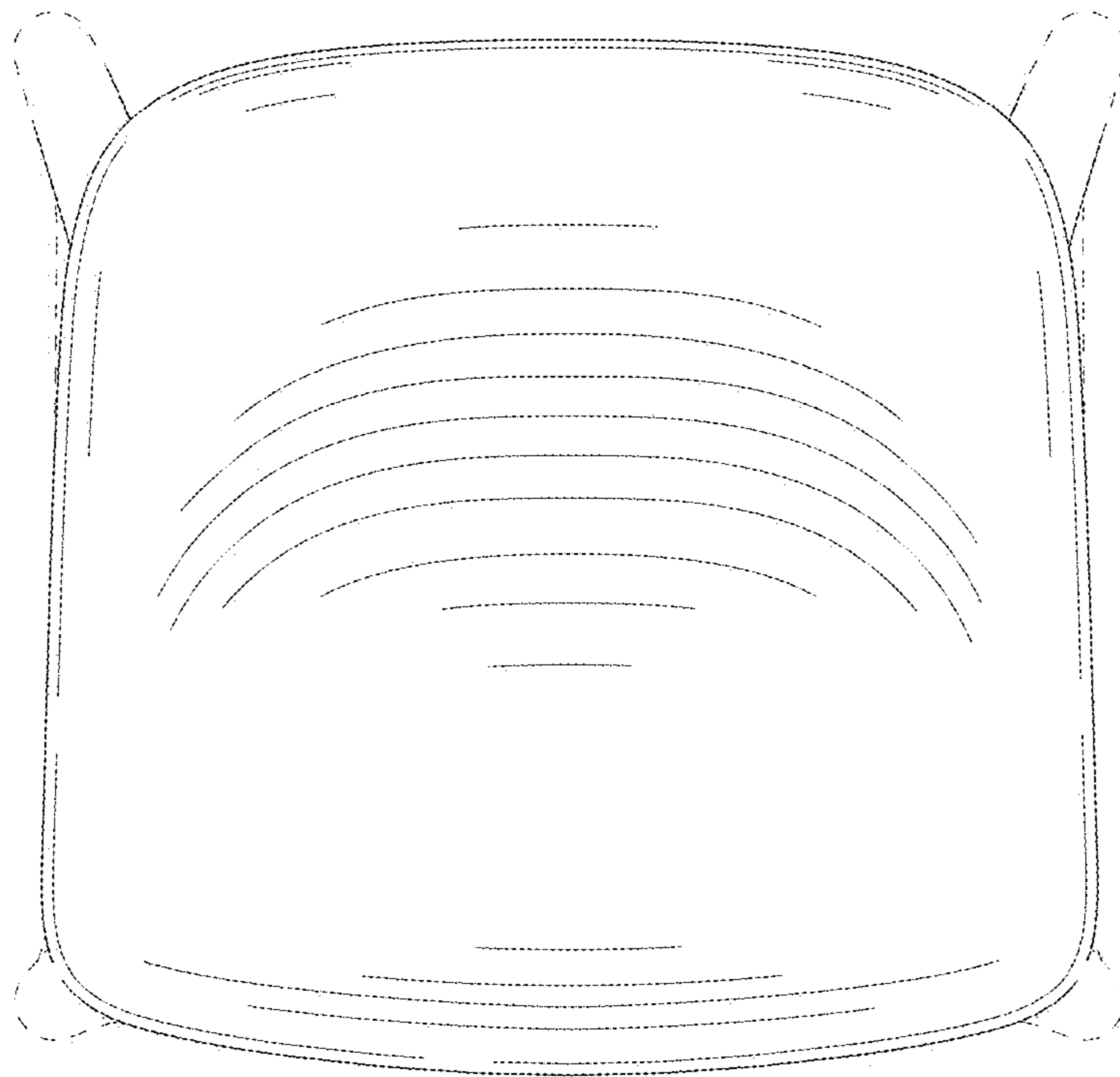


FIG. 6