



US00D726429S

(12) **United States Design Patent**  
**Natuzzi**

(10) **Patent No.:** **US D726,429 S**

(45) **Date of Patent:** **\*\* Apr. 14, 2015**

(54) **SOFA**

(71) Applicant: **Natuzzi S.p.A.**, Santeramo in Colle  
(Bari) (IT)

(72) Inventor: **Pasquale Natuzzi**, Santeramo in Colle  
(IT)

(73) Assignee: **Natuzzi S.p.A.**, Santeramo in Colle  
(Bari) (IT)

(\*\*) Term: **14 Years**

(21) Appl. No.: **29/469,540**

(22) Filed: **Oct. 11, 2013**

(30) **Foreign Application Priority Data**

Apr. 11, 2013 (IT) ..... RM2013O0061

(51) **LOC (10) Cl.** ..... **06-01**

(52) **U.S. Cl.**  
USPC ..... **D6/371**

(58) **Field of Classification Search**  
CPC ..... A47C 1/00; A47C 4/03; A47C 4/02;  
A47C 7/021; A47C 7/18; A47C 17/045  
USPC ..... D6/334-336, 371, 373, 374, 381, 716,  
D6/716.1, 716.4; 297/232, 445.1, 446.1,  
297/448.1, 448.2; 5/12.1

See application file for complete search history.

(56) **References Cited**

U.S. PATENT DOCUMENTS

D281,839 S *	12/1985	Hopfer .....	D6/371
D319,546 S *	9/1991	Oelschlagel et al. ....	D6/371
D497,734 S *	11/2004	Nastri .....	D6/381
D515,836 S *	2/2006	Nicoletti .....	D6/371
D542,558 S *	5/2007	Ricci .....	D6/334
D543,380 S *	5/2007	Ricci .....	D6/381
D685,199 S *	7/2013	Okabe .....	D6/371

\* cited by examiner

*Primary Examiner* — Mimosa De

(74) *Attorney, Agent, or Firm* — Reising Ethington P.C.

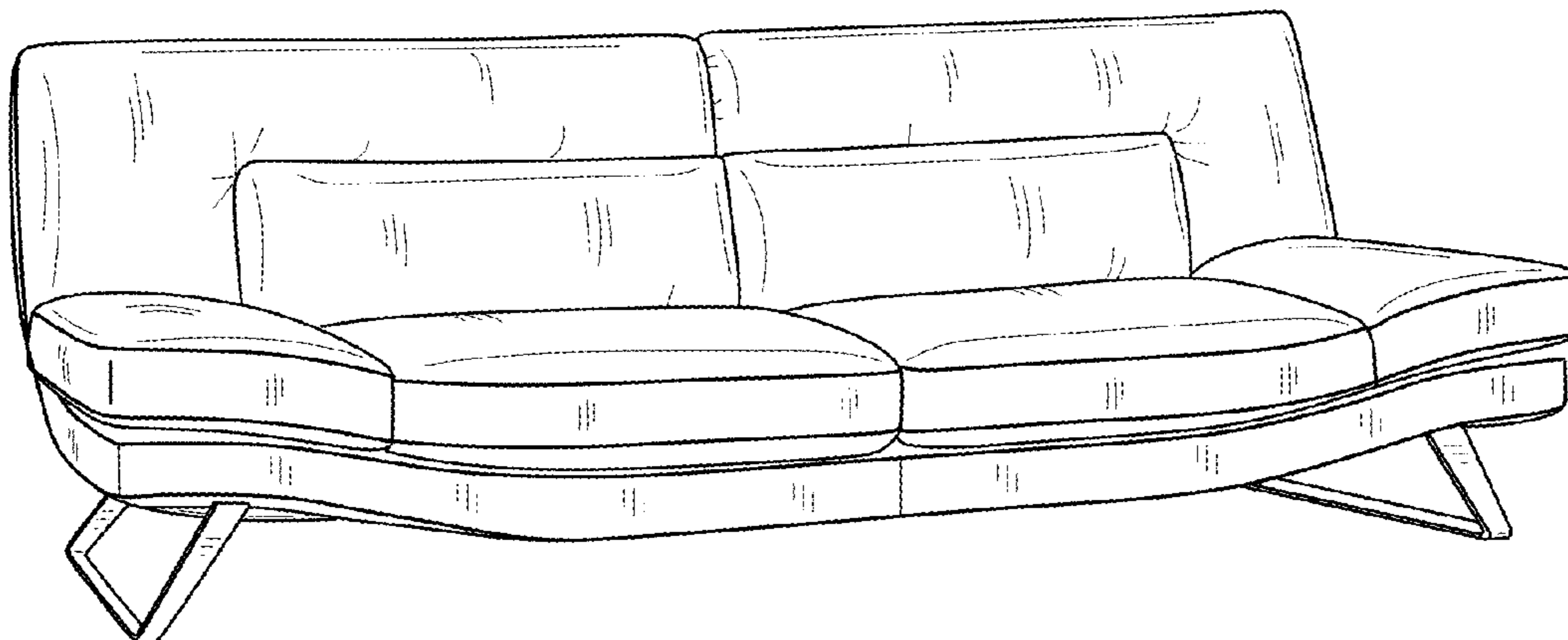
(57) **CLAIM**

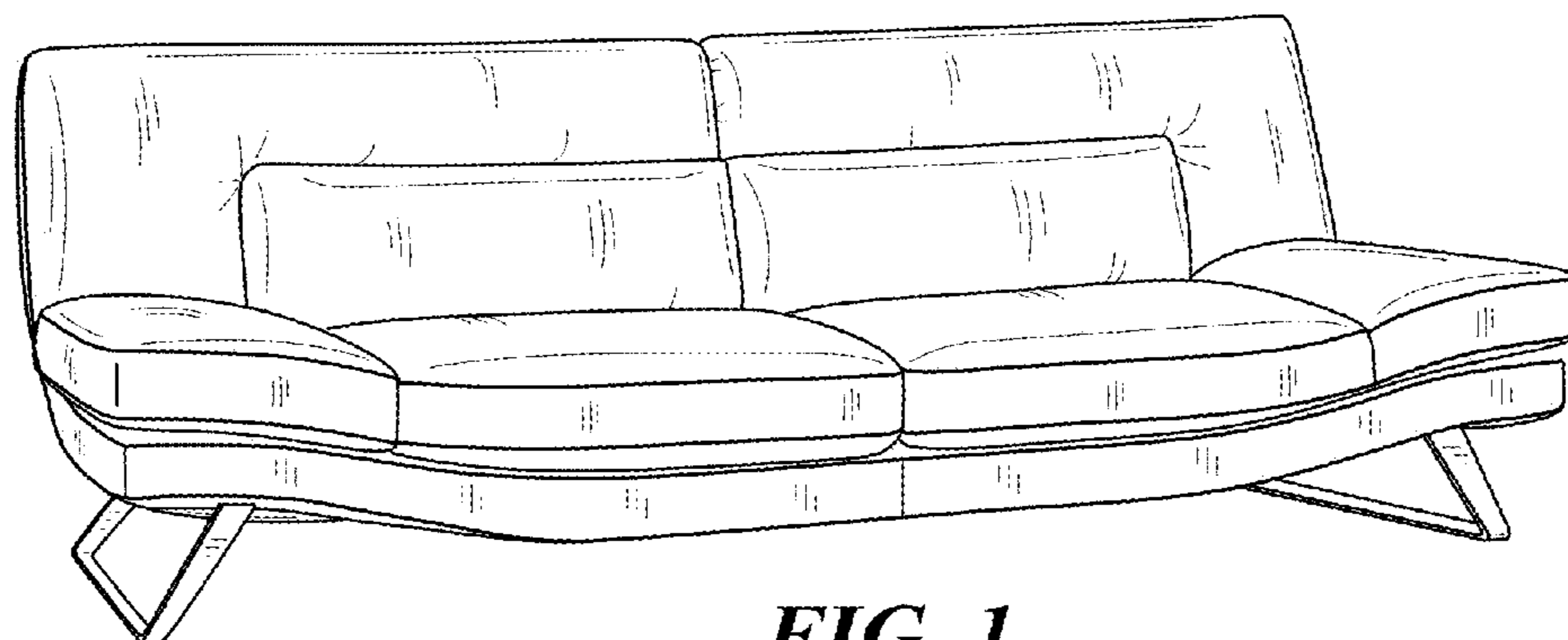
The ornamental design for a sofa, as shown and described.

**DESCRIPTION**

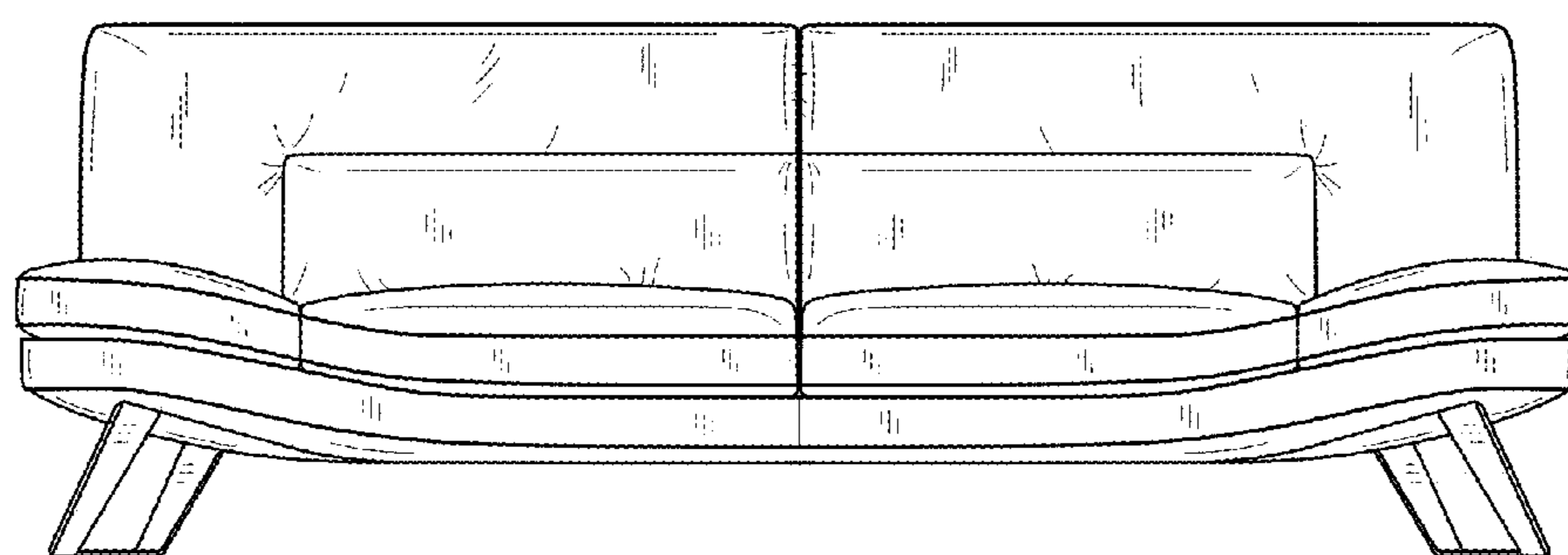
FIG. 1 shows a perspective view of the sofa;  
FIG. 2 shows a front view of the sofa;  
FIG. 3 shows a left side view of the sofa;  
FIG. 4 shows a right side view of the sofa;  
FIG. 5 shows a top view of the sofa;  
FIG. 6 shows a bottom view of the sofa;  
FIG. 7 shows a rear view of the sofa; and,  
FIG. 8 shows a perspective view of the sofa showing left and right end cushions in an alternate position.

**1 Claim, 3 Drawing Sheets**

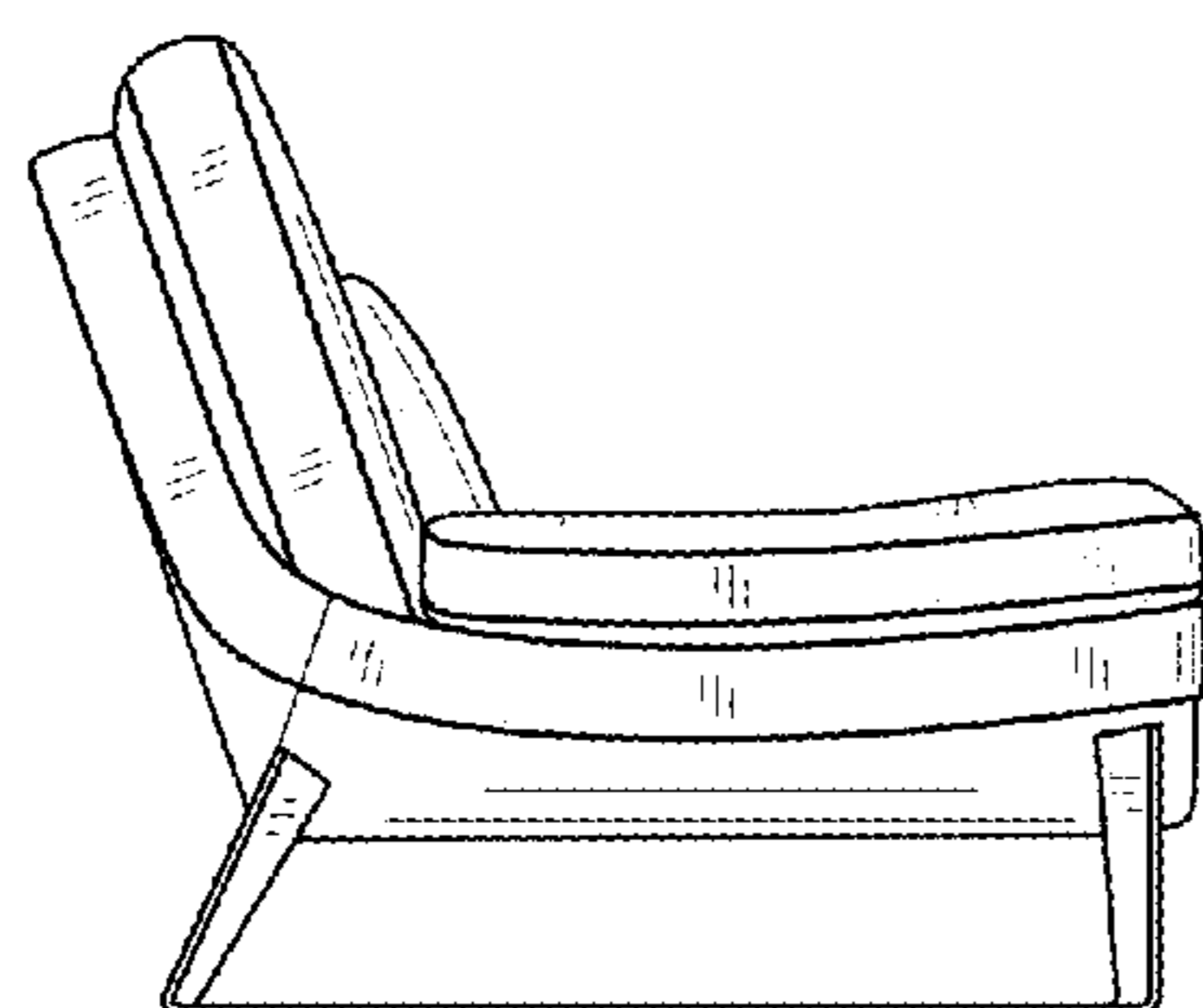




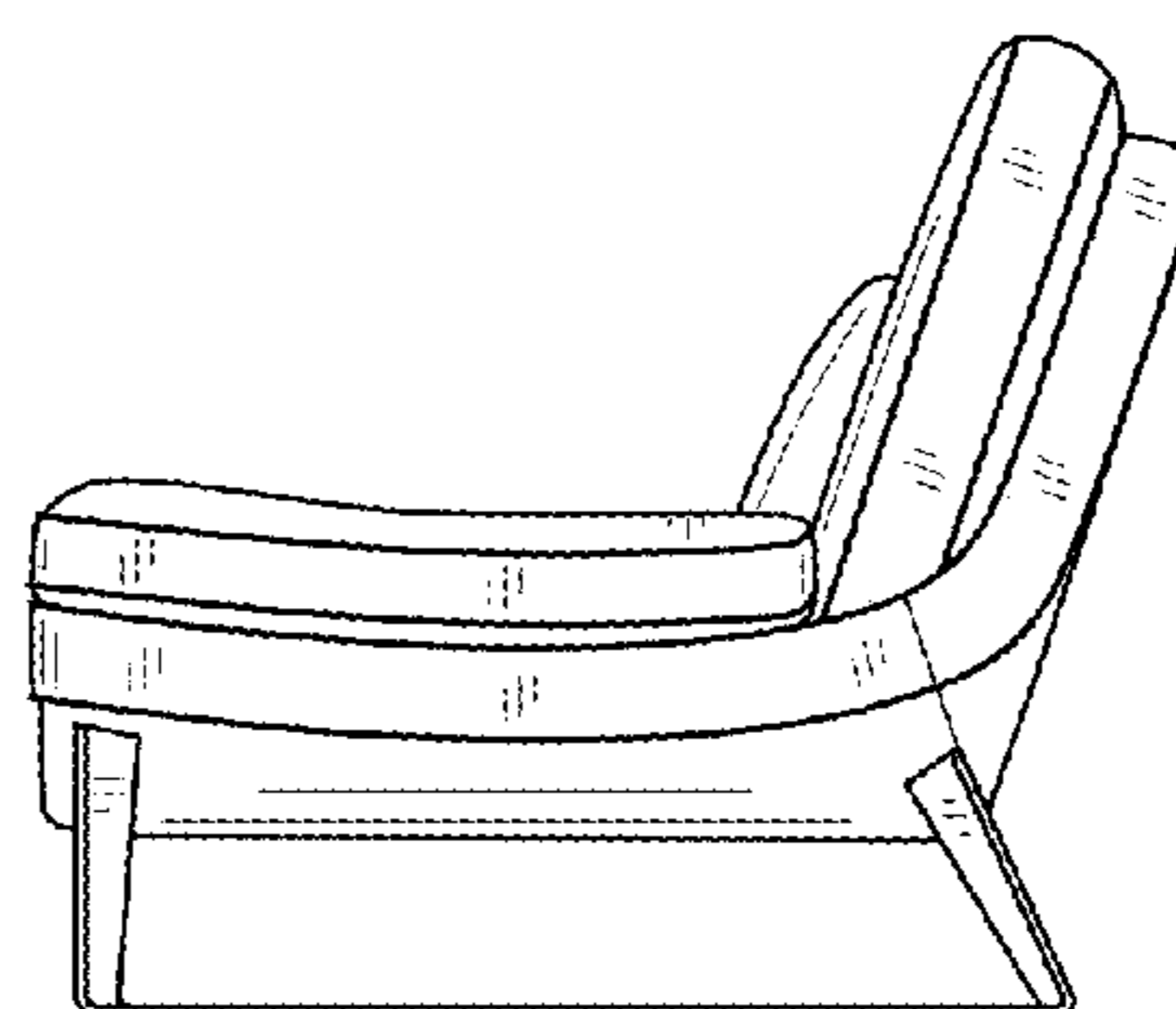
**FIG. 1**



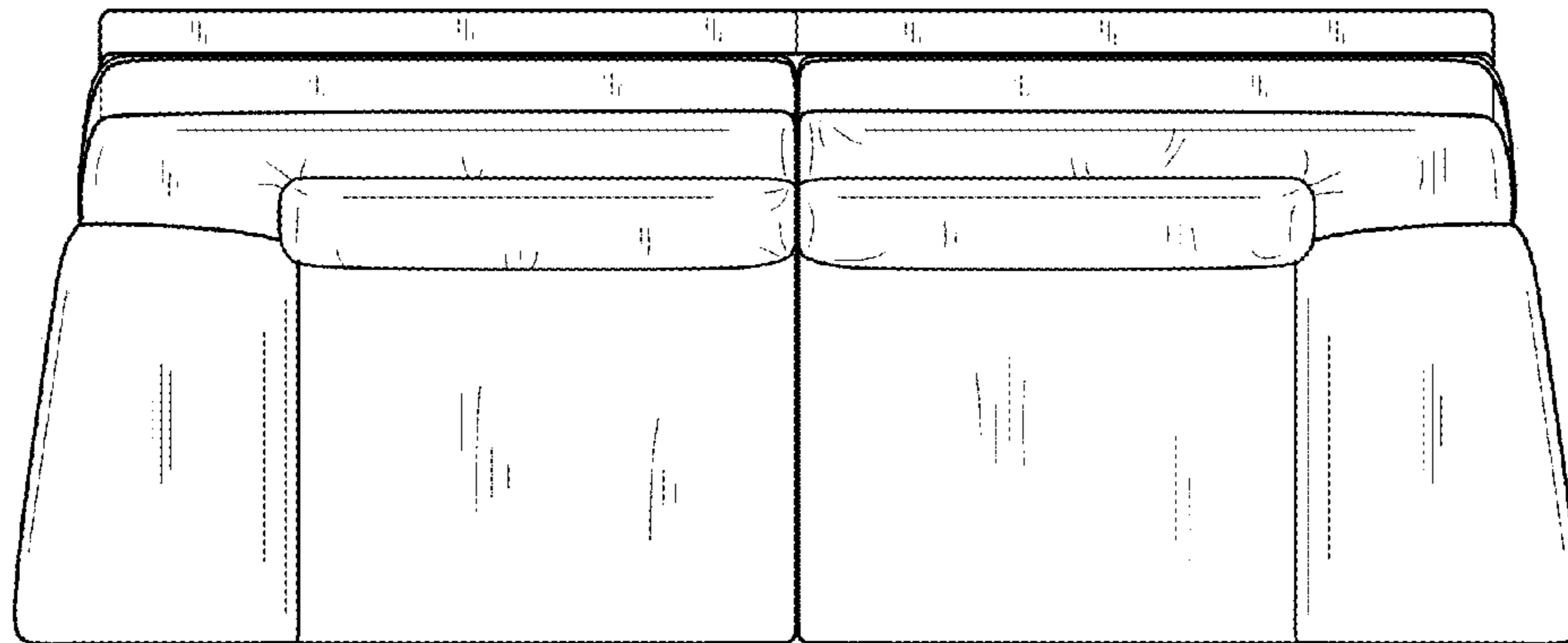
**FIG. 2**



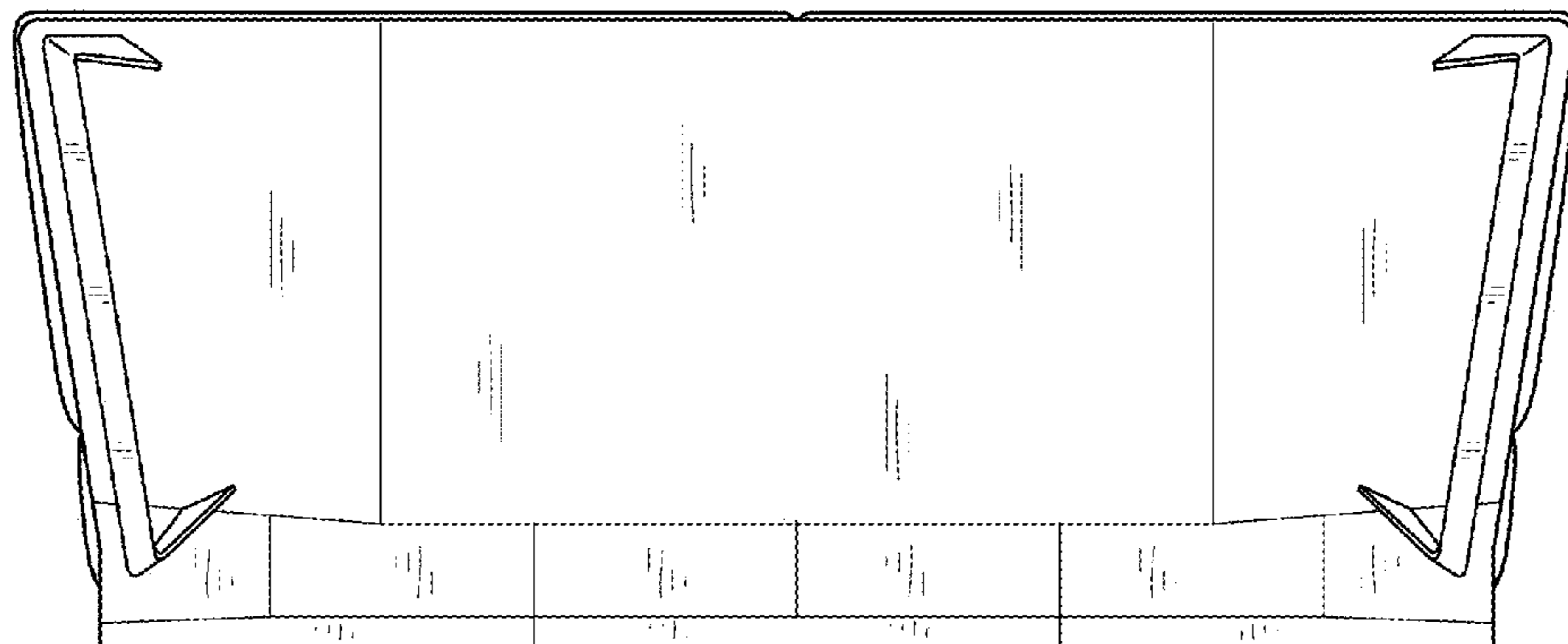
**FIG. 3**



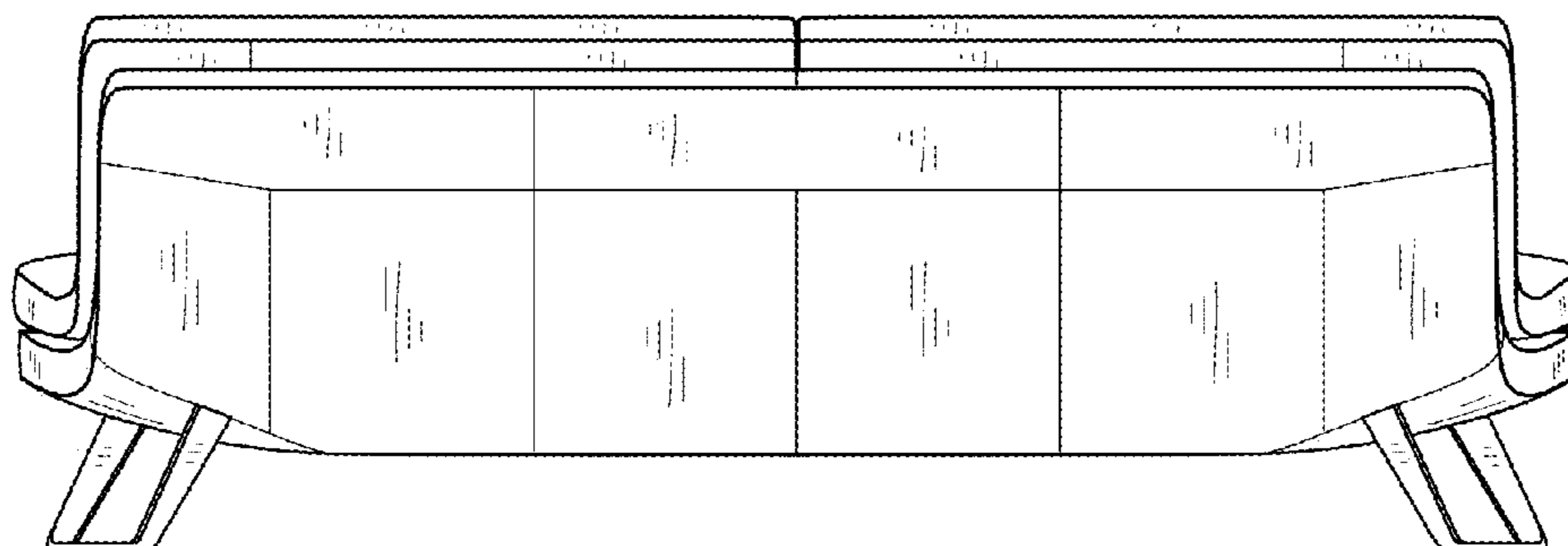
**FIG. 4**



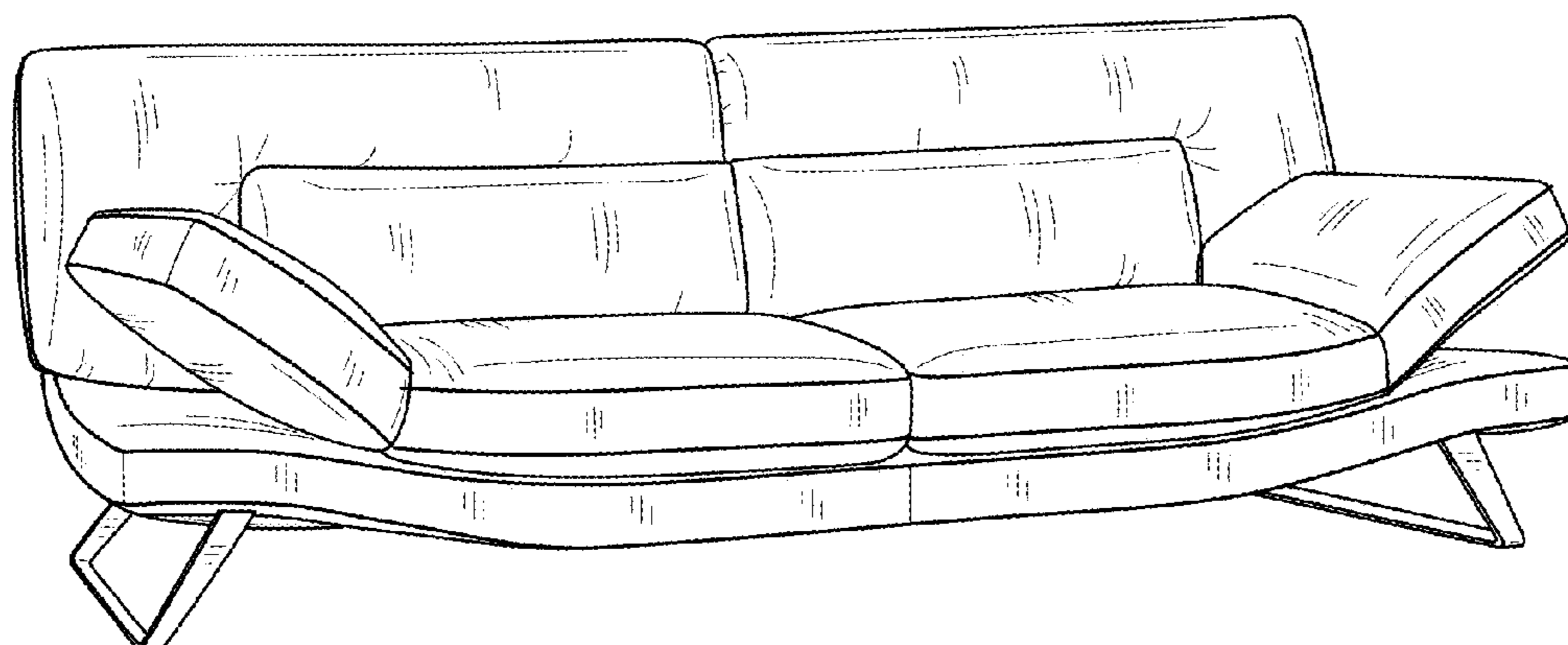
**FIG. 5**



**FIG. 6**



**FIG. 7**



**FIG. 8**