

US00D726428S

(12) **United States Design Patent**
Inestroza

(10) **Patent No.:** **US D726,428 S**

(45) **Date of Patent:** **** Apr. 14, 2015**

(54) **BACK SUPPORT**

(71) Applicant: **Marlon Inestroza**, San Francisco, CA
(US)

(72) Inventor: **Marlon Inestroza**, San Francisco, CA
(US)

(**) Term: **14 Years**

(21) Appl. No.: **29/503,939**

(22) Filed: **Sep. 30, 2014**

Related U.S. Application Data

(63) Continuation of application No. 29/453,448, filed on
Apr. 29, 2013, now Pat. No. Des. 717,057.

(51) **LOC (10) Cl.** **06-01**

(52) **U.S. Cl.**
USPC **D6/368**

(58) **Field of Classification Search**
CPC A47C 4/52; A47C 16/005; A47C 1/146;
A47C 20/027

USPC D6/334-336, 368, 374, 375, 379, 380,
D6/716, 716.1, 716.2, 716.3, 716.4;
297/17, 112, 350, 377; 5/633, 656

See application file for complete search history.

(56) **References Cited**

U.S. PATENT DOCUMENTS

1,659,093 A * 2/1928 Gaskin A47C 16/005
2,828,808 A * 4/1958 Hilton A47C 1/146
D190,806 S * 7/1961 Emery D6/368

3,041,637 A * 7/1962 Emery A47C 20/027
3,121,884 A * 2/1964 Emery A47C 1/146
3,276,817 A * 10/1966 Marple A47C 1/146
D244,336 S * 5/1977 Stein D6/368
4,363,517 A * 12/1982 Scott A47C 16/005
4,654,907 A * 4/1987 Haugaard A47C 4/52
4,869,553 A * 9/1989 Powell A47C 1/146
5,020,854 A * 6/1991 Powell A47C 1/146
D337,000 S * 7/1993 Williams D6/368
D371,250 S * 7/1996 Herman D6/368
5,882,079 A * 3/1999 Yang A47C 1/146
D430,747 S * 9/2000 Hill D6/368
6,250,712 B1 * 6/2001 Livingston et al. A47C 4/52

* cited by examiner

Primary Examiner — Mimoso De

(74) *Attorney, Agent, or Firm* — Anteco & Tormey LLP;
Pete Tormey

(57) **CLAIM**

The ornamental design for a back support, as shown and
described.

DESCRIPTION

FIG. 1 is a front perspective view

FIG. 2 is a rear view

FIG. 3 is a front view

FIG. 4 is a left side view

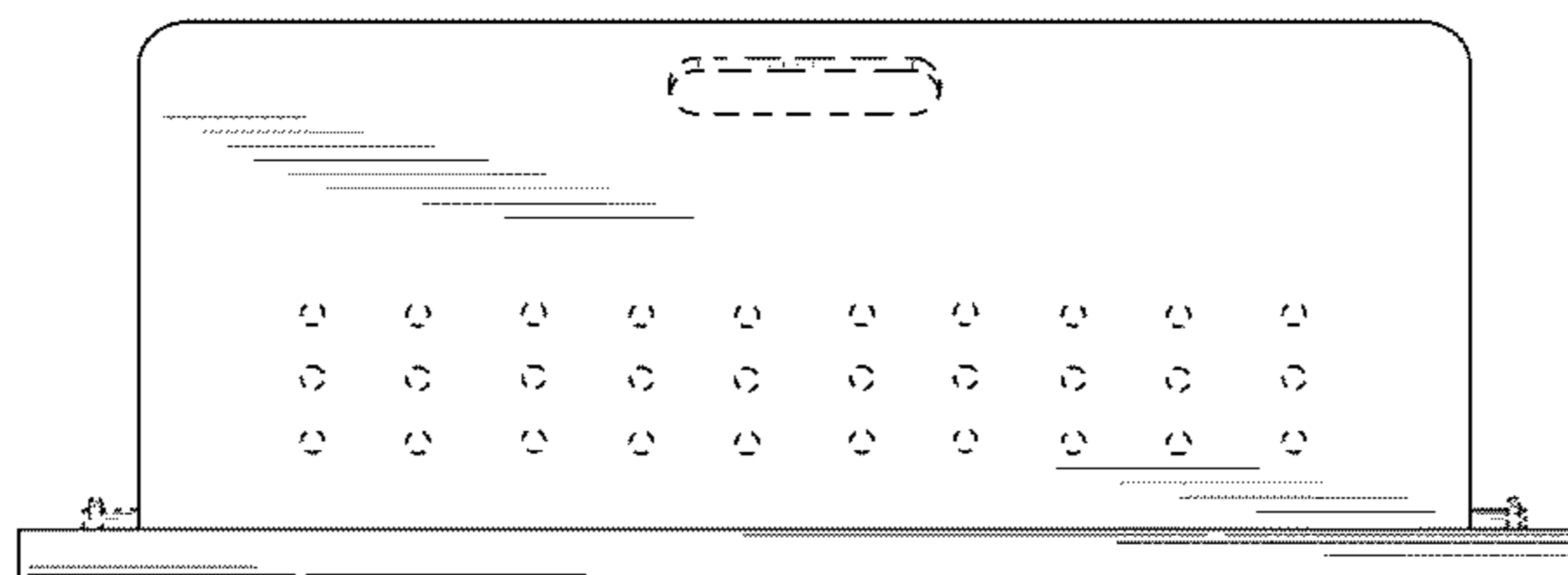
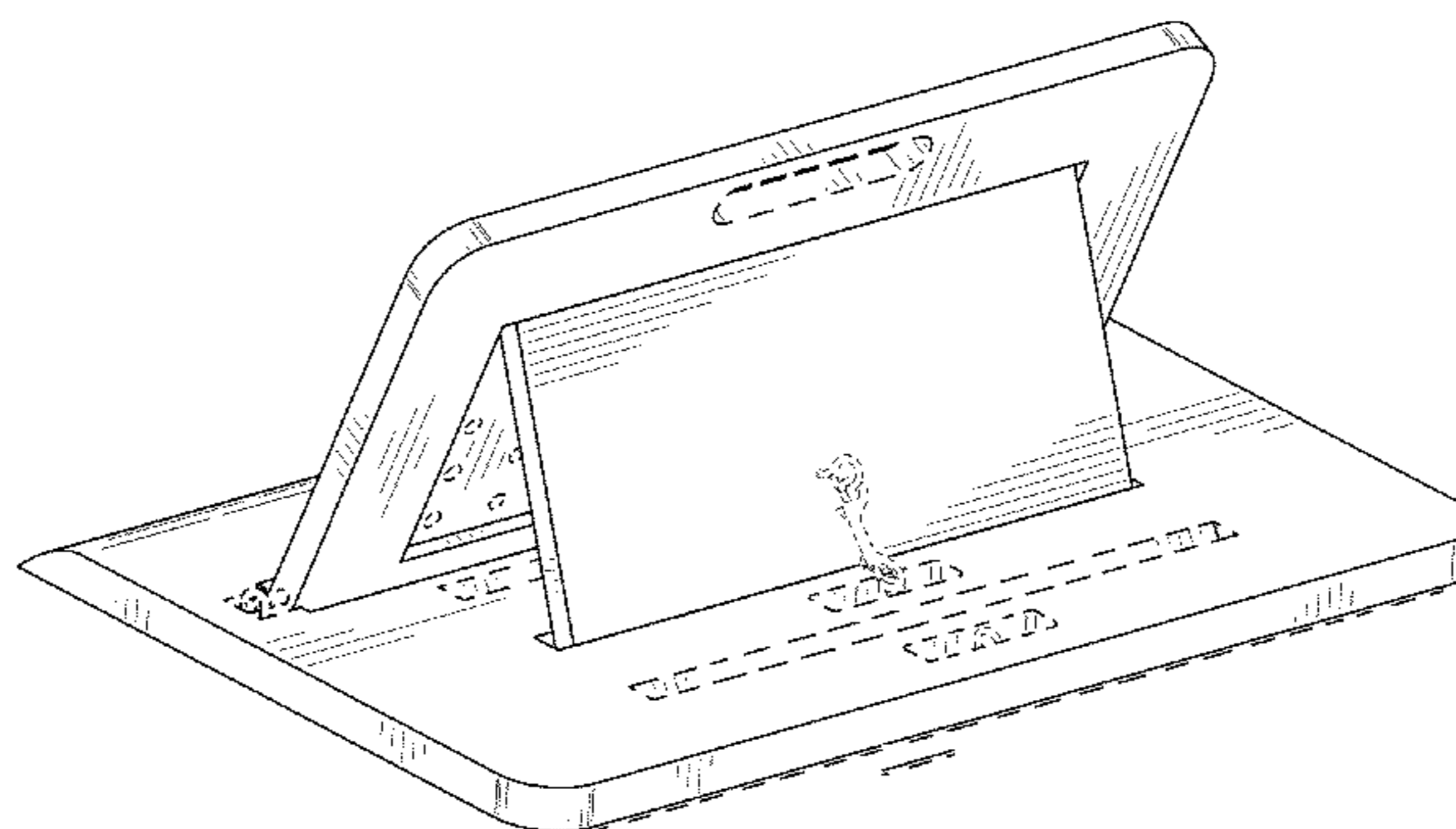
FIG. 5 is a right side view

FIG. 6 is a top view; and,

FIG. 7 is a bottom view.

The broken lines shown are included for the purpose of illus-
trating environmental structure and form no part of the
claimed design.

1 Claim, 7 Drawing Sheets



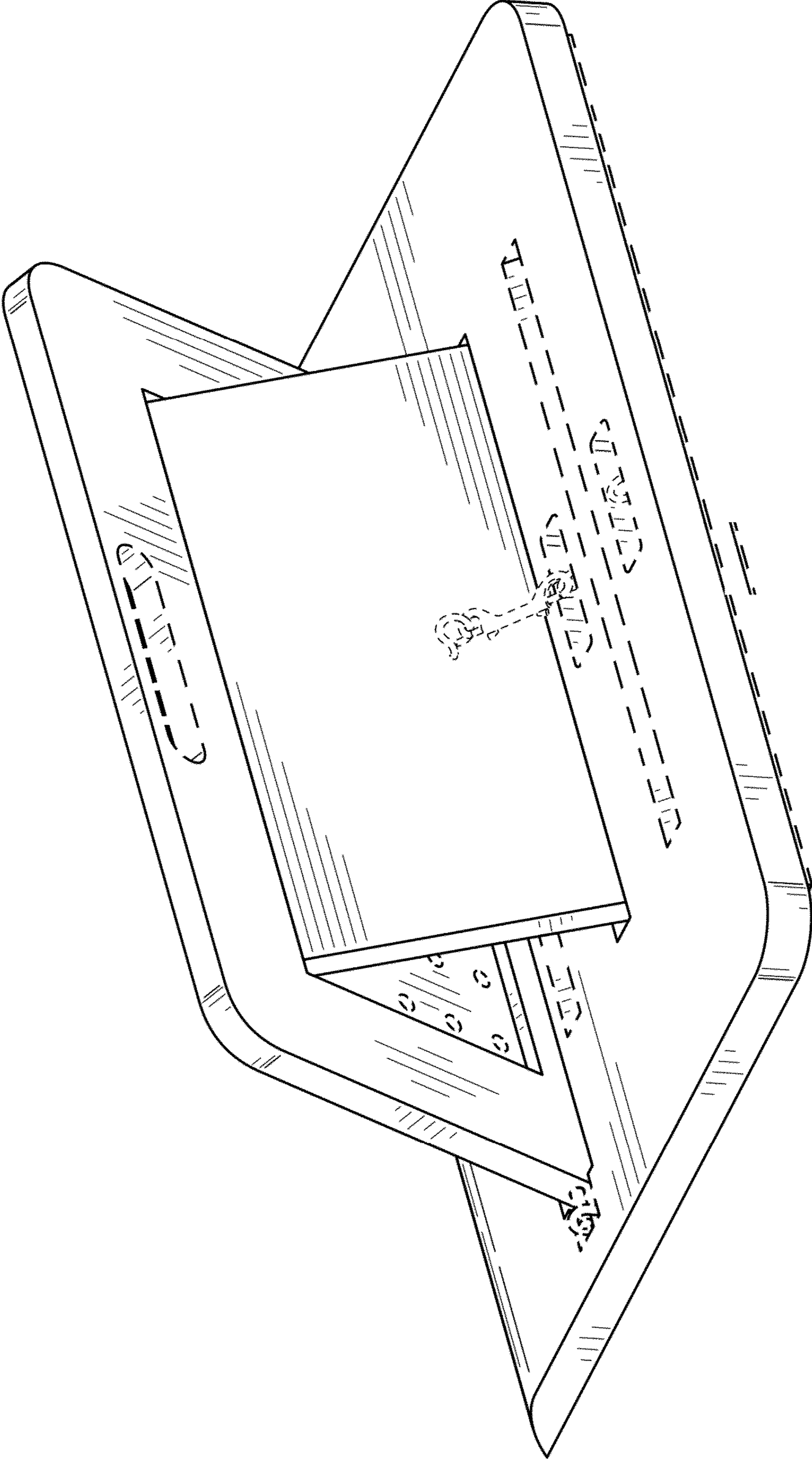


FIG. 1

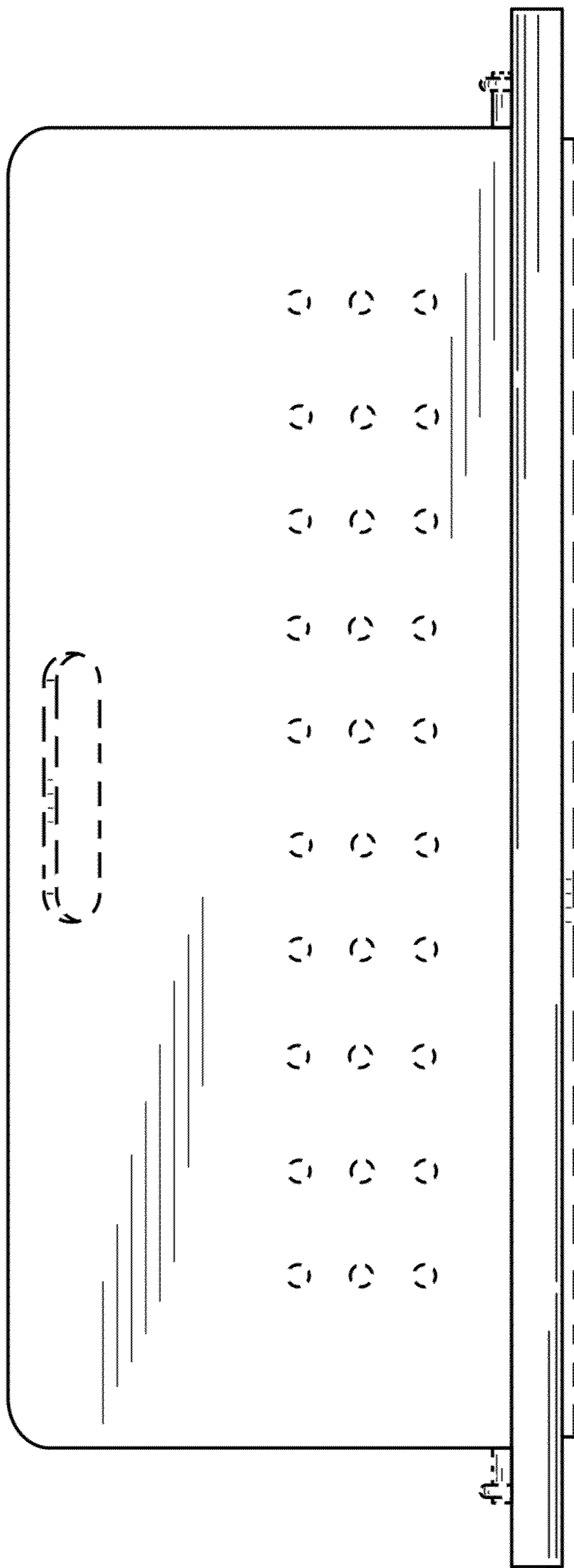


FIG. 2

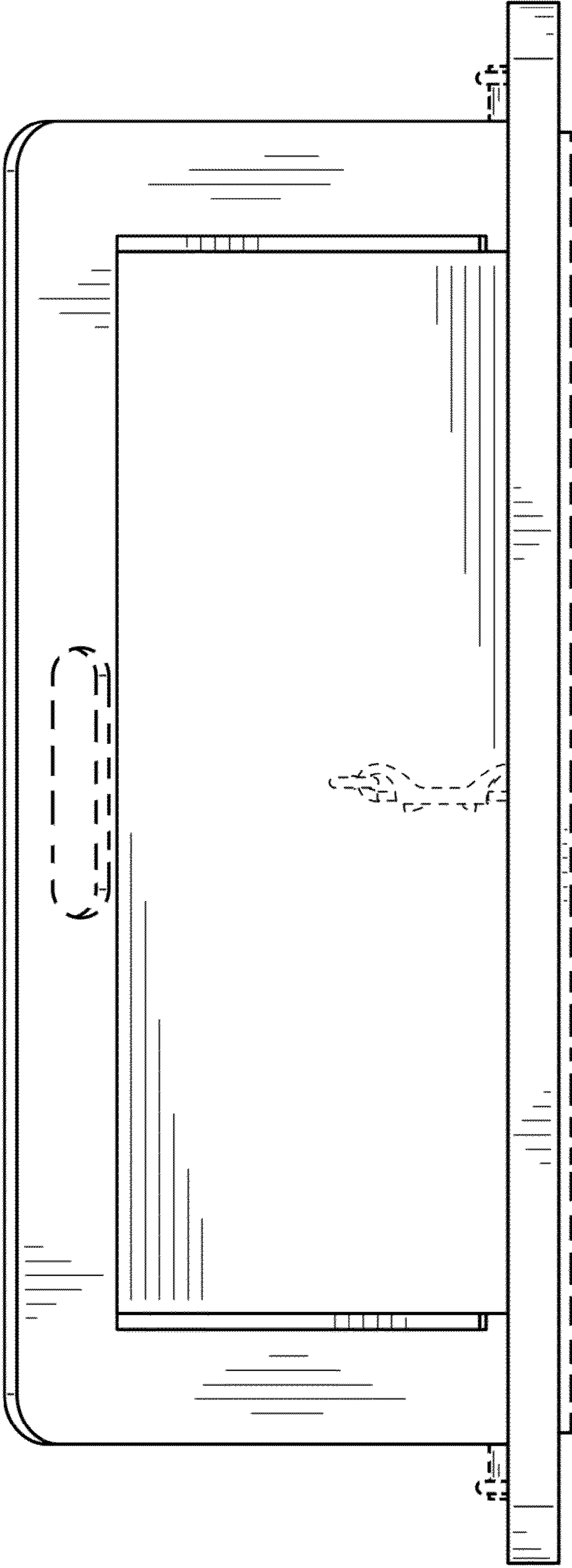


FIG. 3

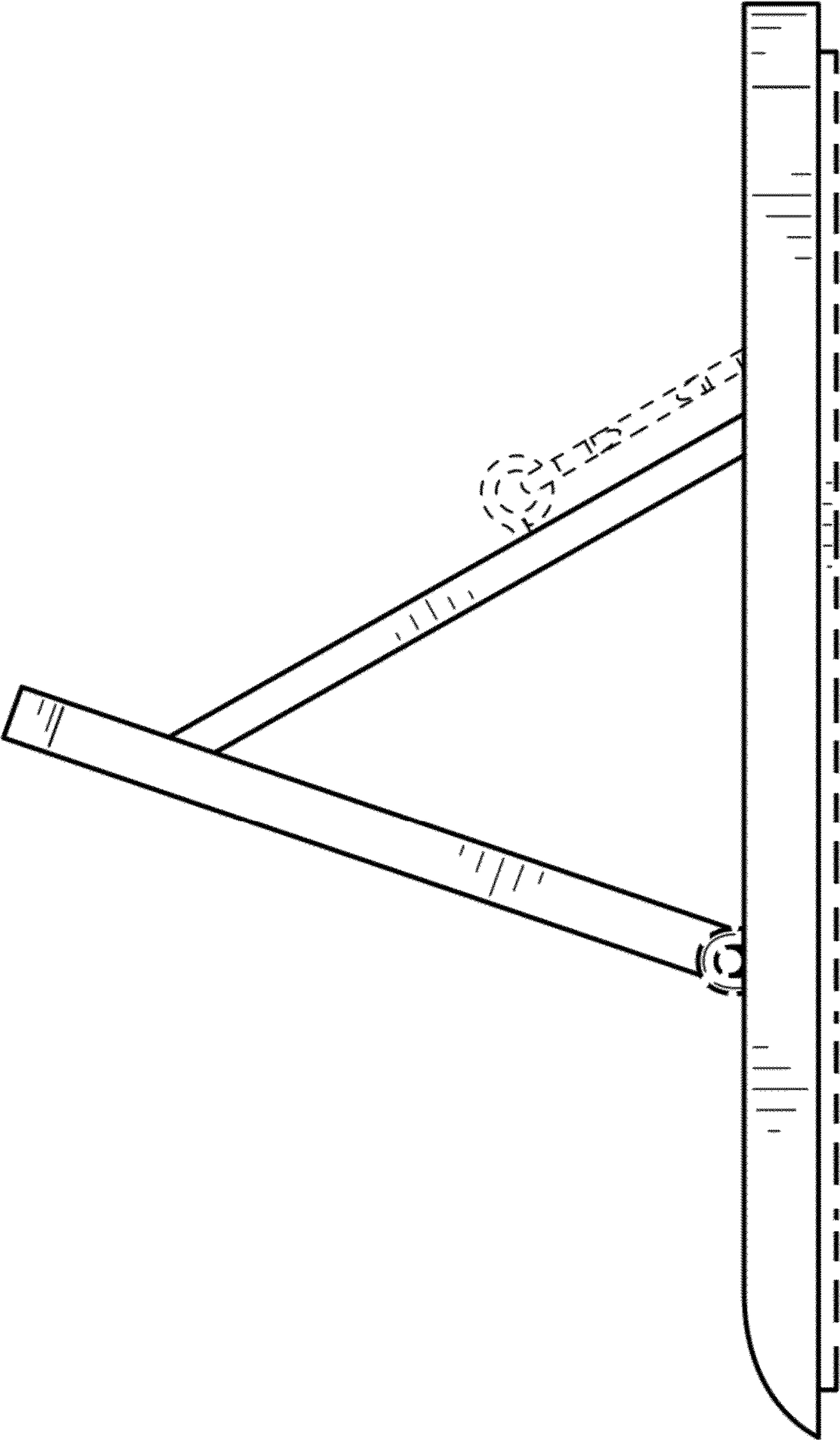


FIG. 4

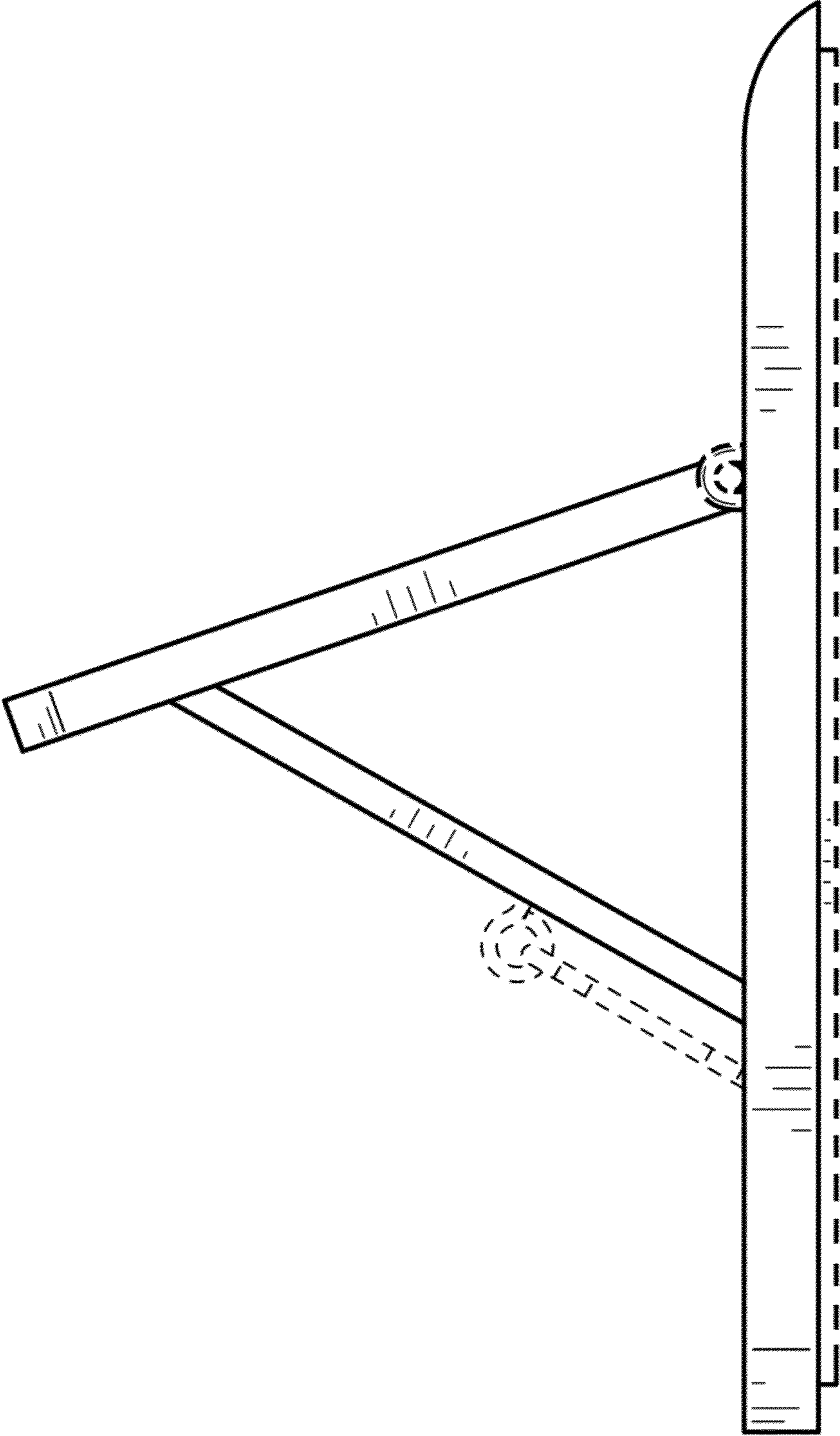


FIG. 5

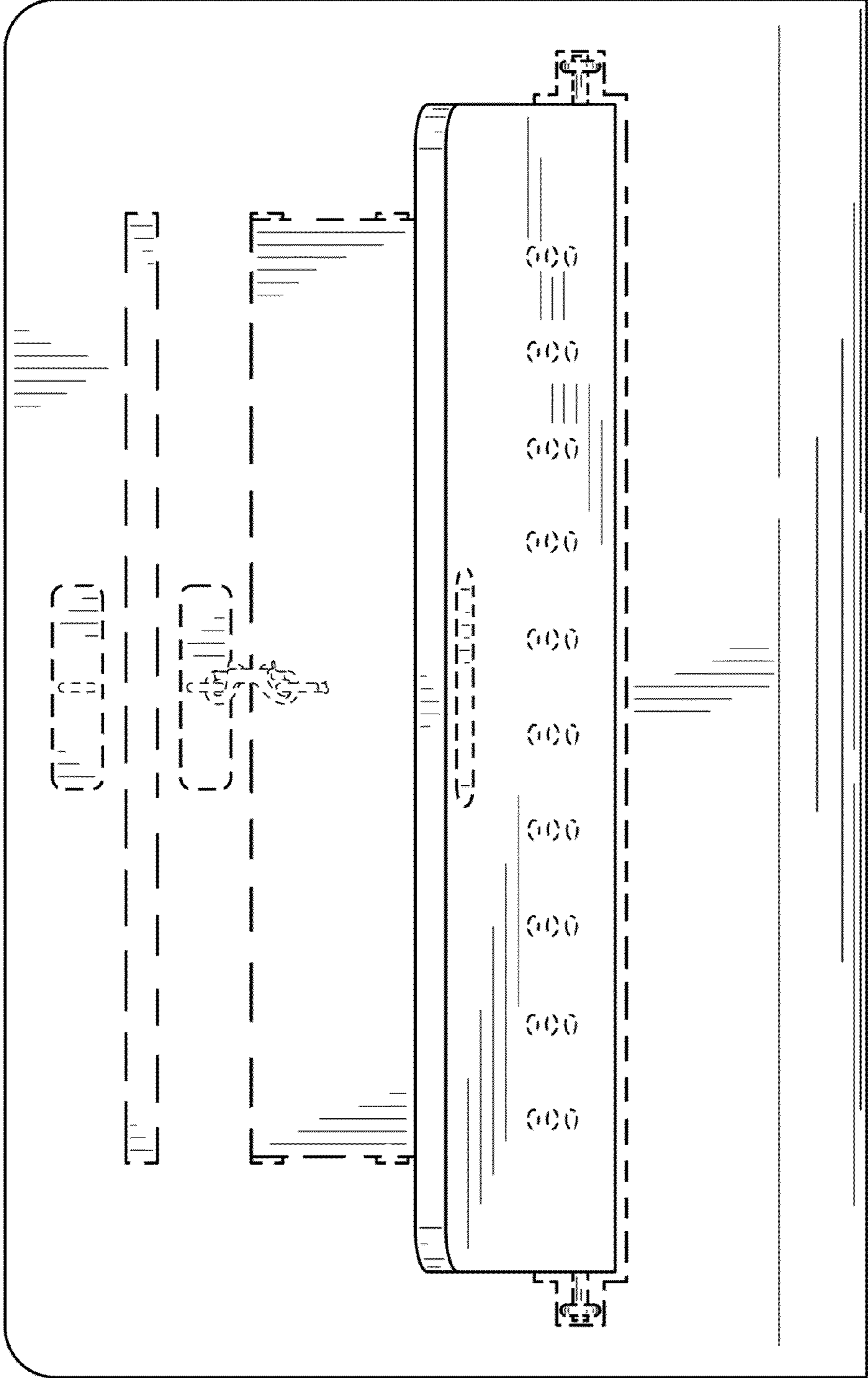


FIG. 6

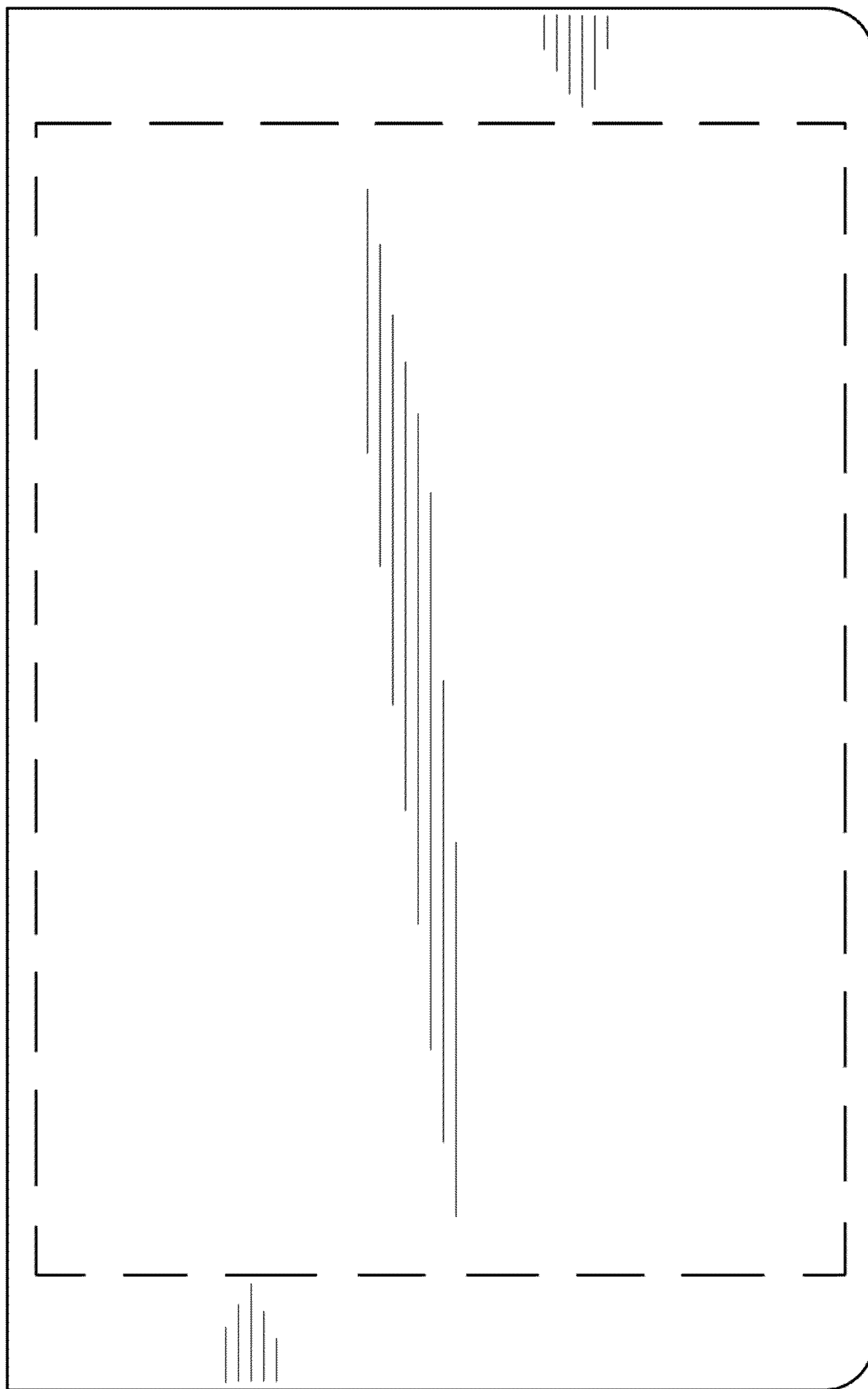


FIG. 7