



US00D726421S

(12) **United States Design Patent**
Rue et al.

(10) **Patent No.:** **US D726,421 S**
(45) **Date of Patent:** **** Apr. 14, 2015**

- (54) **EASEL**
- (71) Applicants: **James S. Rue**, Seven Devils, NC (US);
Carolyn Ann Crocker, Seven Devils,
NC (US)
- (72) Inventors: **James S. Rue**, Seven Devils, NC (US);
Carolyn Ann Crocker, Seven Devils,
NC (US)
- (**) Term: **14 Years**
- (21) Appl. No.: **29/442,859**
- (22) Filed: **May 31, 2013**
- (51) **LOC (10) Cl.** **06-07**
- (52) **U.S. Cl.**
USPC **D6/300; D6/312**
- (58) **Field of Classification Search**
USPC D6/300-314, 681.1; 40/760, 764, 700,
40/711; D8/71, 355; 248/451, 458, 449,
248/161

See application file for complete search history.

4,165,856	A *	8/1979	Wiseheart	248/449
D256,216	S *	8/1980	Van Horn et al.	D8/71
D260,203	S *	8/1981	Arnold	D6/300
D266,380	S *	10/1982	Ploeger	D6/300
4,690,363	A *	9/1987	Koves	248/449
D296,160	S *	6/1988	Rhodes	D6/300
D312,008	S *	11/1990	Speed et al.	D6/418
D339,971	S *	10/1993	Hatcher	D8/71
D341,270	S *	11/1993	Adams	D6/416
5,494,251	A *	2/1996	Katz	248/449
D367,767	S *	3/1996	Rhodes	D6/312
5,725,192	A *	3/1998	Cloninger	248/458
5,791,623	A *	8/1998	Louridas	248/451
D487,354	S *	3/2004	Hahn	D6/300
D499,889	S *	12/2004	Hahn	D6/300
7,195,213	B2 *	3/2007	Weatherly	248/125.1
8,408,505	B2 *	4/2013	Ye	248/161

* cited by examiner

Primary Examiner — Cathron Brooks
Assistant Examiner — William Falloway

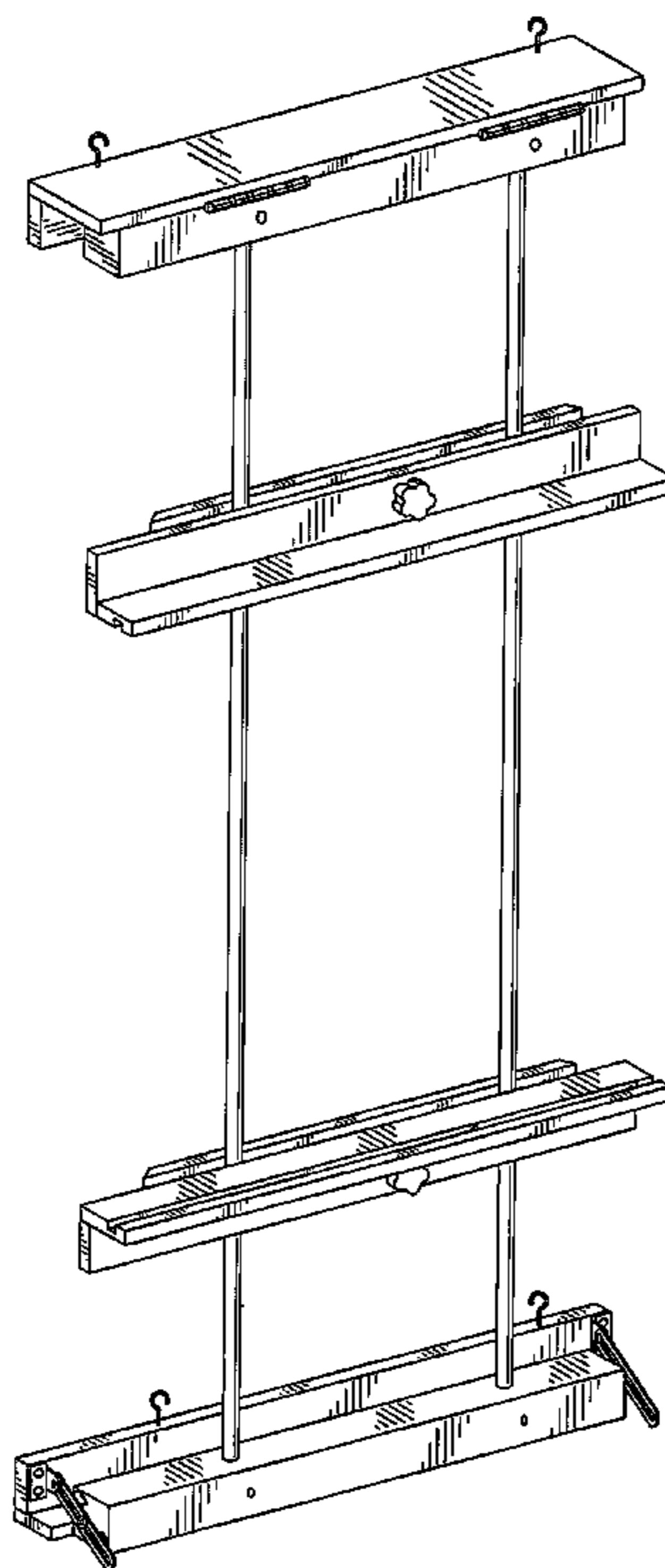
(57) **CLAIM**
The ornamental design for an easel, as shown and described.

DESCRIPTION

FIG. 1 is a perspective view of my new design.
FIG. 2 is a front view thereof.
FIG. 3 is a rear view thereof.
FIG. 4 is a left side view thereof.
FIG. 5 is a right side view thereof.
FIG. 6 is a plan view of the top thereof; and,
FIG. 7 is a plan view taken from below thereof.

1 Claim, 5 Drawing Sheets

- (56) **References Cited**
U.S. PATENT DOCUMENTS
- | | | | | | |
|-----------|-----|---------|------------|-------|---------|
| 1,506,215 | A * | 8/1924 | Beshgetoor | | 40/760 |
| 2,388,435 | A * | 11/1945 | Puerner | | 40/764 |
| 2,912,203 | A * | 11/1959 | Townsend | | 248/448 |
| 3,006,107 | A * | 10/1961 | Tolegian | | 248/449 |
| 3,738,606 | A * | 6/1973 | Millen | | 248/449 |
| D242,757 | S * | 12/1976 | Stark | | D6/311 |



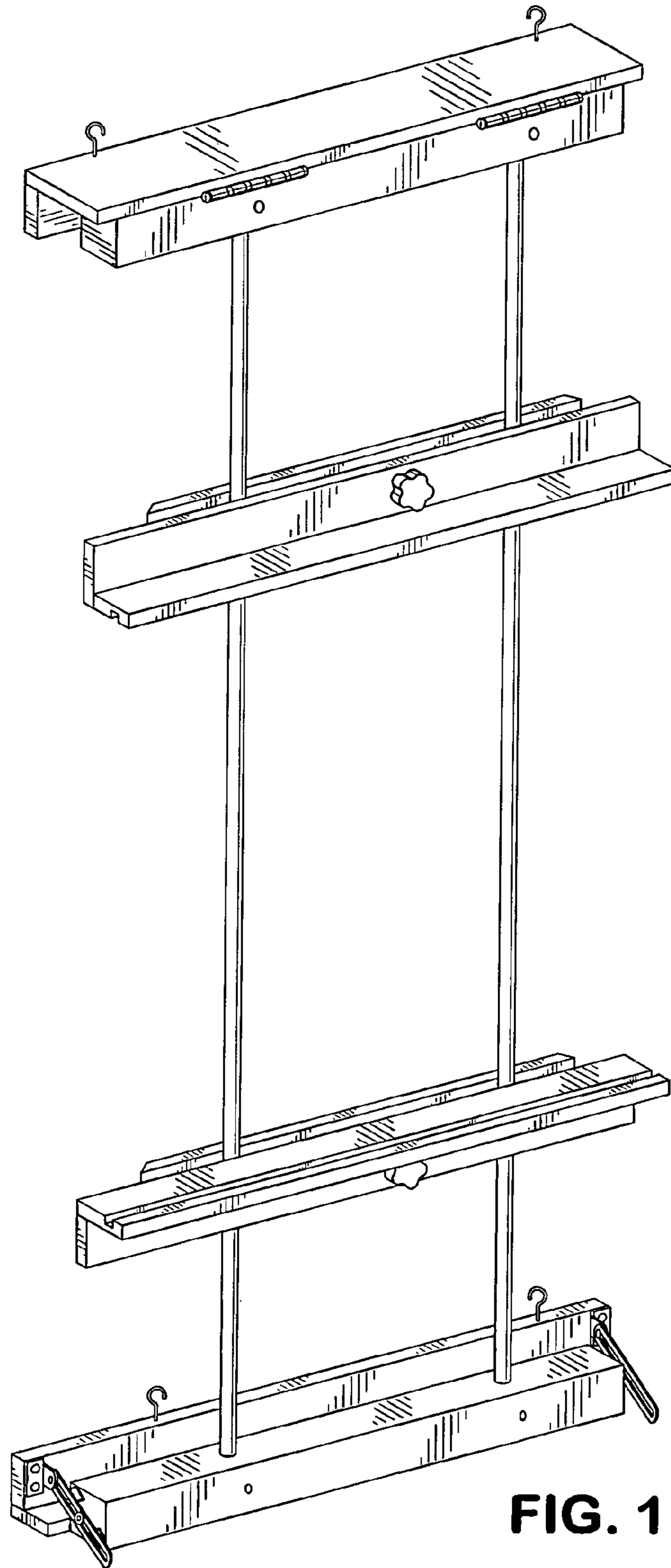


FIG. 1

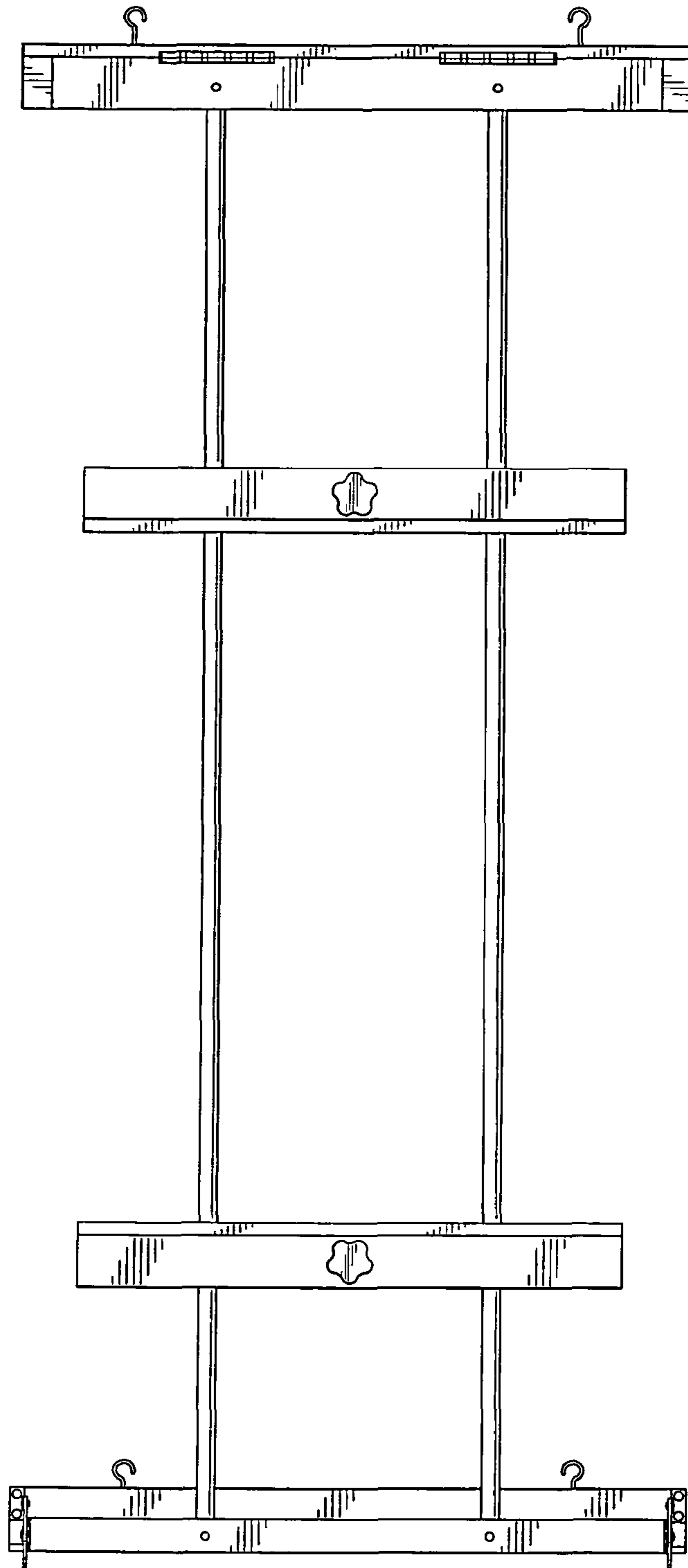


FIG. 2

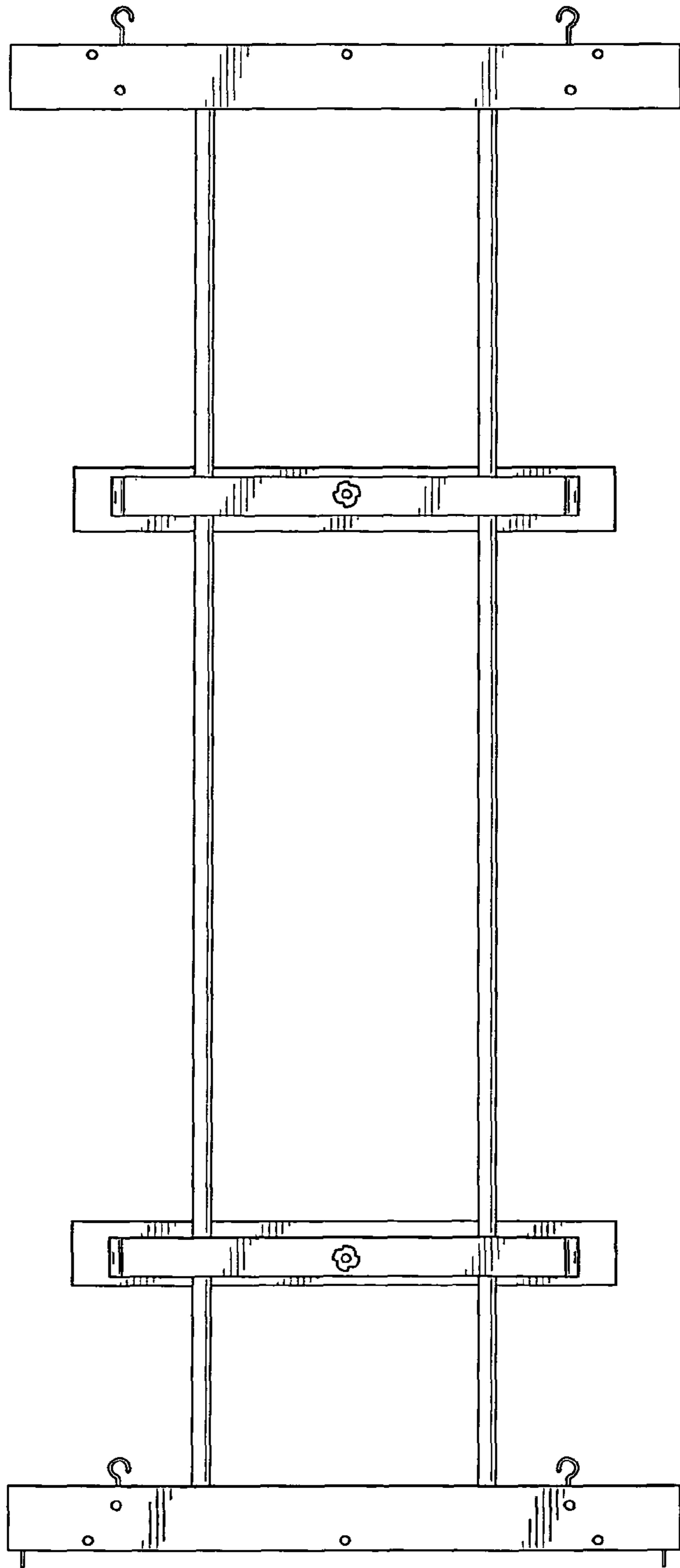


FIG. 3

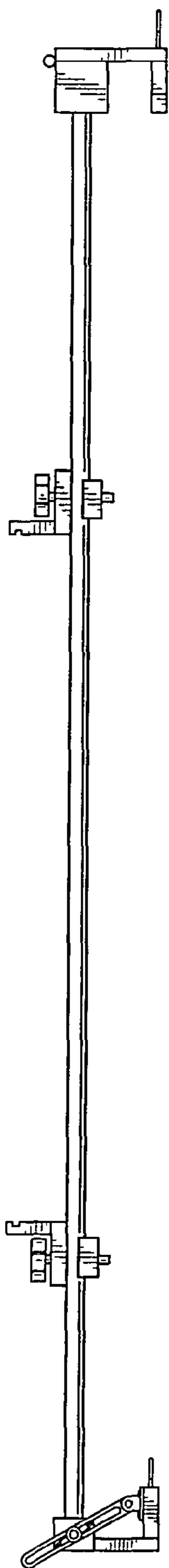


FIG. 4

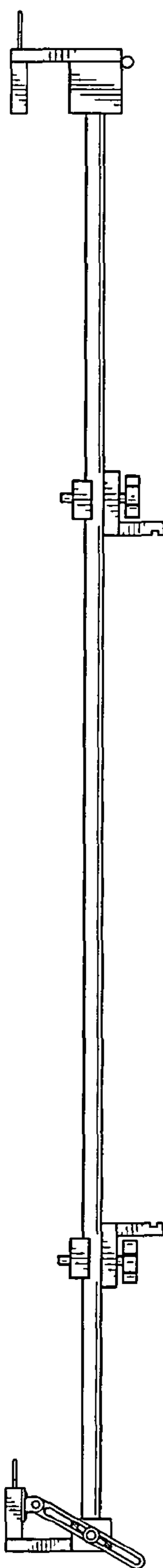


FIG. 5

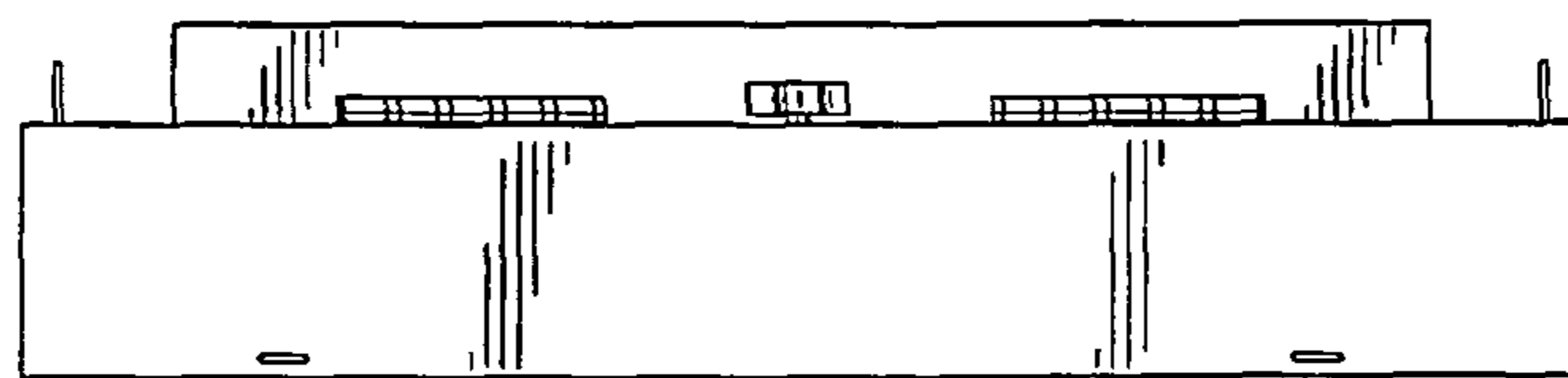


FIG. 6

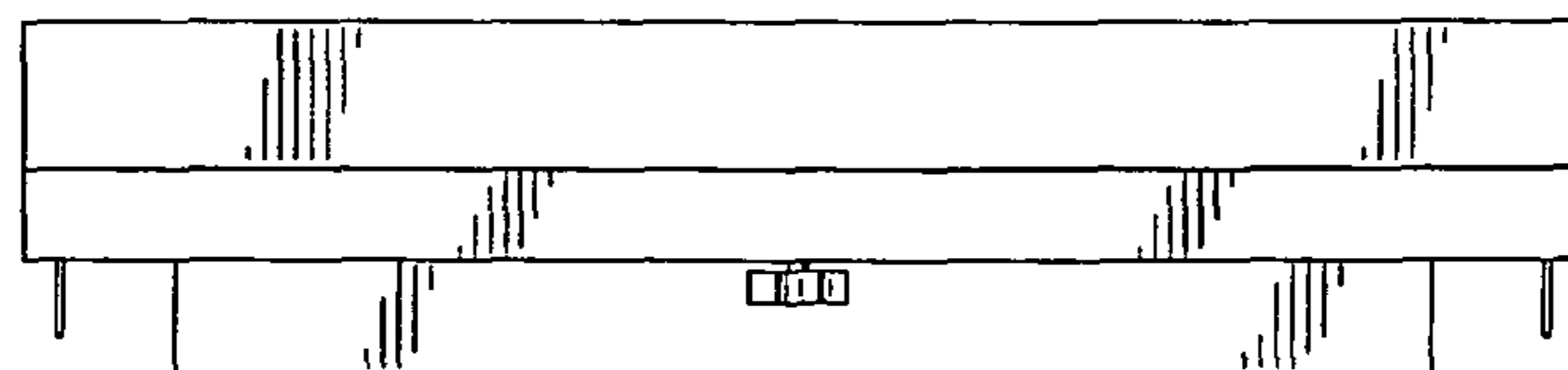


FIG. 7