



US00D726416S

(12) **United States Design Patent**  
**Gabrielyan**

(10) **Patent No.:** **US D726,416 S**

(45) **Date of Patent:** **\*\* Apr. 14, 2015**

(54) **CASE**

(71) Applicant: **Sos Gabrielyan**, Seatac, WA (US)

(72) Inventor: **Sos Gabrielyan**, Seatac, WA (US)

(\*\*) Term: **14 Years**

(21) Appl. No.: **29/475,009**

(22) Filed: **Nov. 27, 2013**

(51) **LOC (10) Cl.** ..... **03-01**

(52) **U.S. Cl.**  
USPC ..... **D3/282; D3/294**

(58) **Field of Classification Search**

USPC ..... D3/280–288, 291–297, 900–905, 272,  
D3/273, 276, 302; 190/110, 111, 112;  
206/372–379, 349, 508; 220/523–528,  
220/23.4, 324, 326; D9/415, 276, 282, 424,  
D9/426

See application file for complete search history.

(56) **References Cited**

**U.S. PATENT DOCUMENTS**

|              |        |                  |       |        |
|--------------|--------|------------------|-------|--------|
| D314,669 S * | 2/1991 | Kunimune         | ..... | D3/282 |
| D332,466 S * | 1/1993 | Logan            | ..... | D19/36 |
| D403,508 S * | 1/1999 | Kheradpir et al. | ..... | D3/294 |
| D408,144 S * | 4/1999 | Lux              | ..... | D3/292 |
| D424,296 S * | 5/2000 | David            | ..... | D3/273 |

|                   |         |        |       |         |
|-------------------|---------|--------|-------|---------|
| 6,167,680 B1 *    | 1/2001  | Horn   | ..... | 53/473  |
| D578,129 S *      | 10/2008 | Weber  | ..... | D14/440 |
| D691,146 S        | 10/2013 | Perez  |       |         |
| 2007/0074984 A1 * | 4/2007  | Liu    | ..... | 206/349 |
| 2013/0206622 A1 * | 8/2013  | Thomas | ..... | 206/349 |

\* cited by examiner

*Primary Examiner* — Jennifer Rivard

*Assistant Examiner* — April Rivas

(74) *Attorney, Agent, or Firm* — Cicero Patent Services, PLLC

(57) **CLAIM**

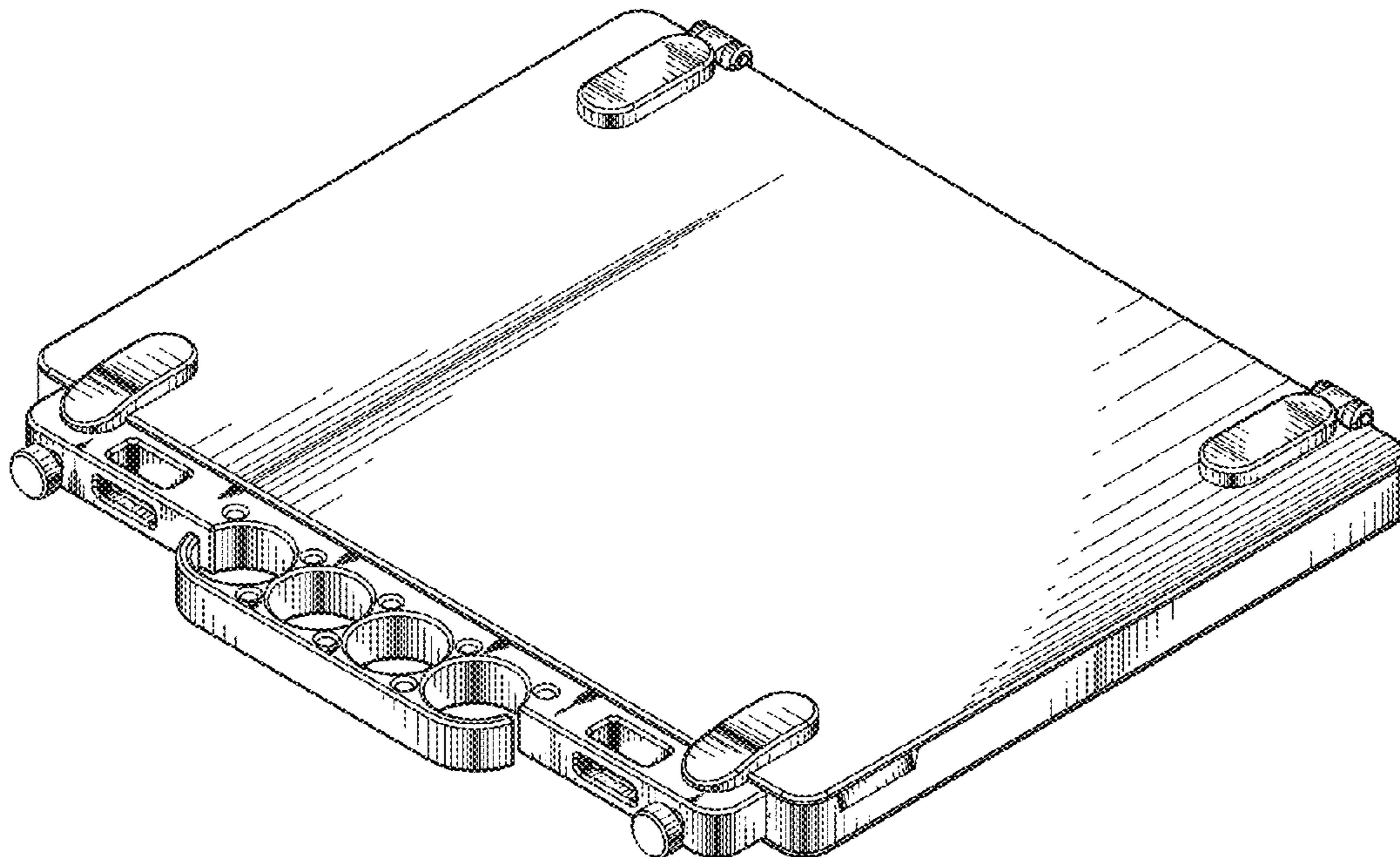
The ornamental design for a case, as shown and described.

**DESCRIPTION**

FIG. 1 is a front perspective view of the case in accordance with an embodiment of the design;  
FIG. 2 is a top plan view thereof;  
FIG. 3 is a front elevation view thereof;  
FIG. 4 is a rear elevation view thereof;  
FIG. 5 is a right side elevation view thereof, the left side elevation view thereof being a mirror image of the view shown in FIG. 5;  
FIG. 6 is a bottom plan view thereof; and,  
FIG. 7 is a front perspective view of the case showing the lid in an open position.

The broken lines illustrate portions of the case and form no part of the claimed design.

**1 Claim, 5 Drawing Sheets**



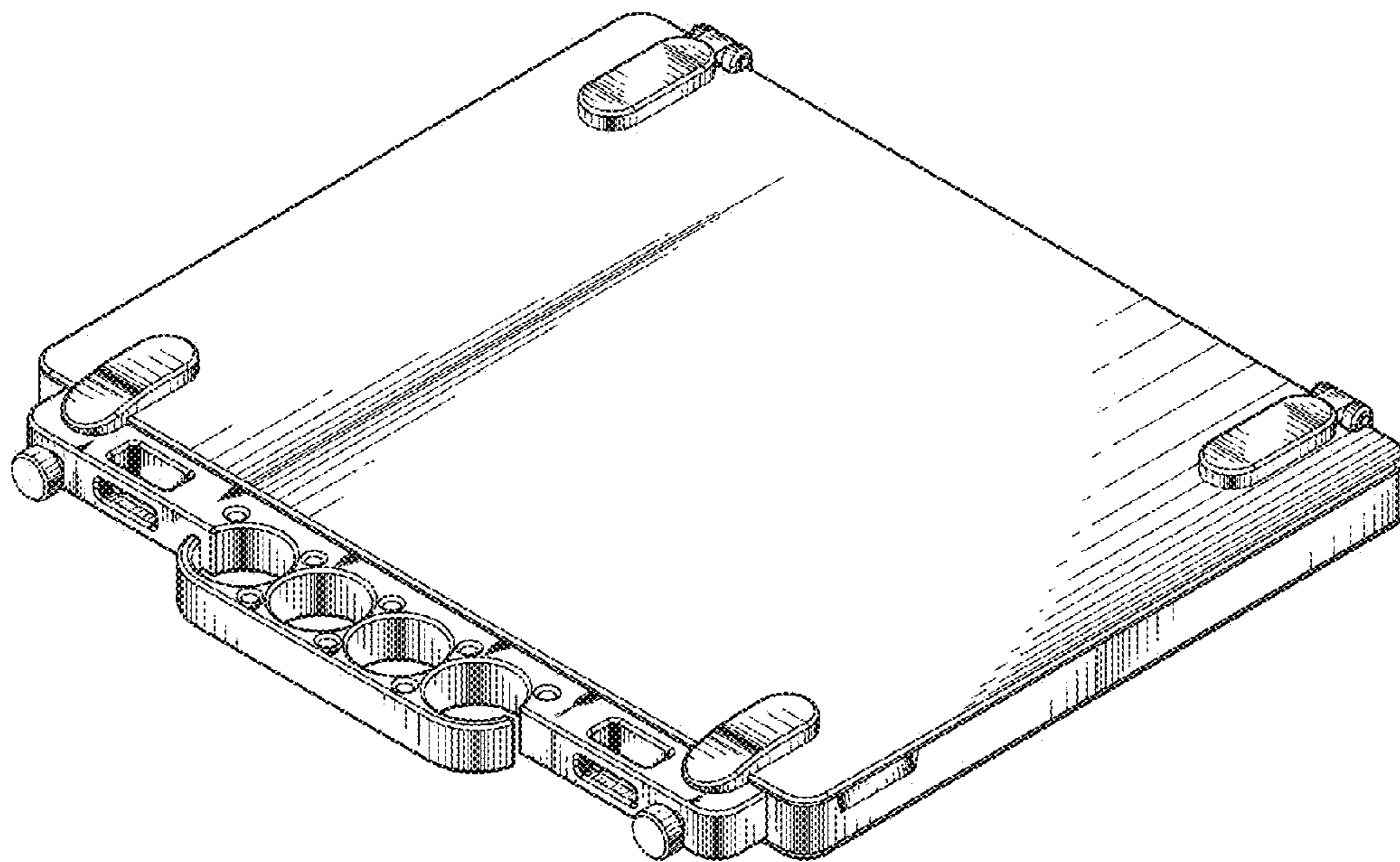


Fig. 1

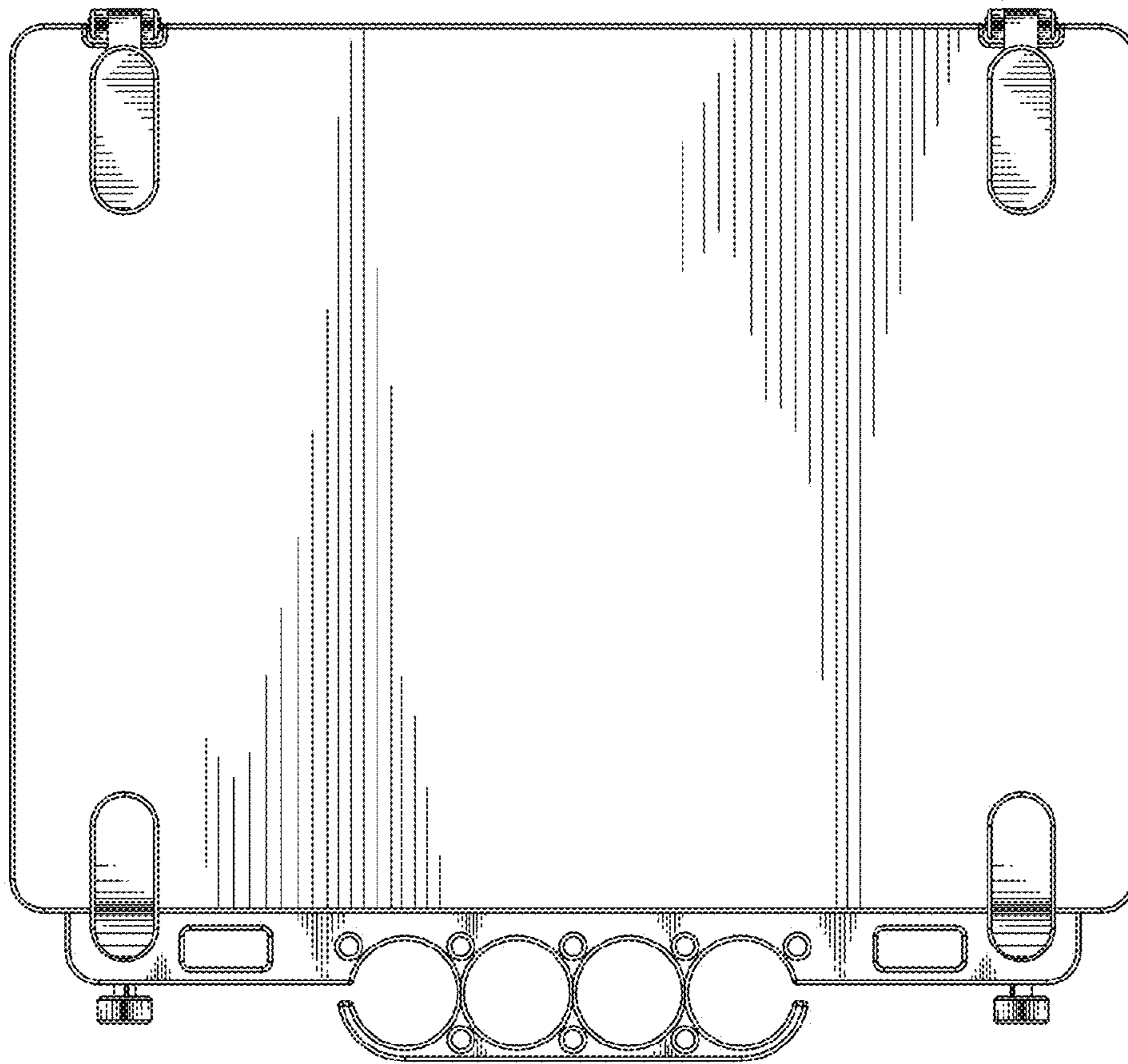


Fig. 2

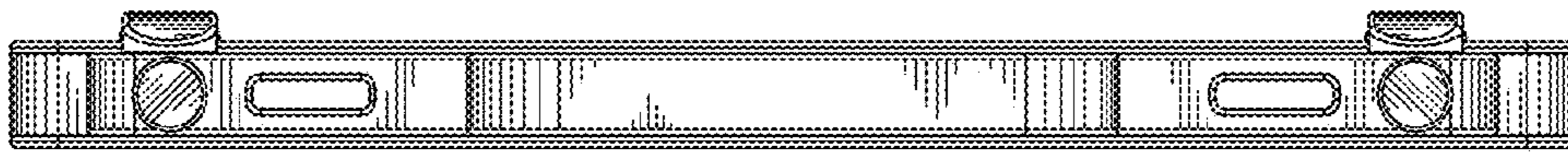


Fig. 3

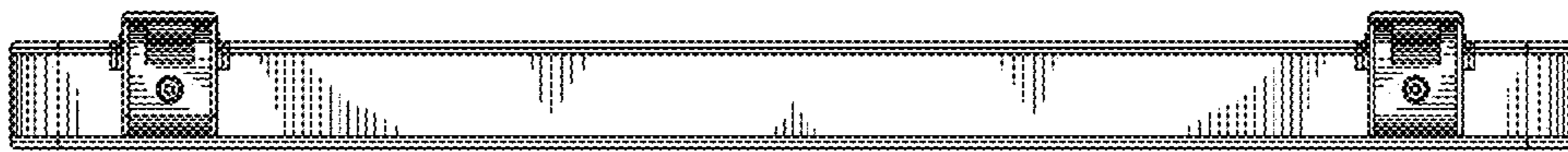


Fig. 4

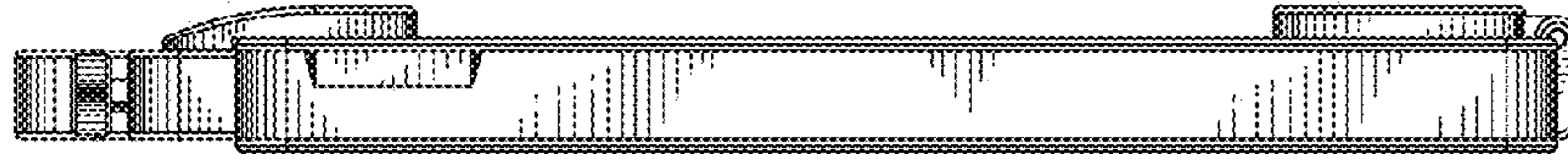


Fig. 5

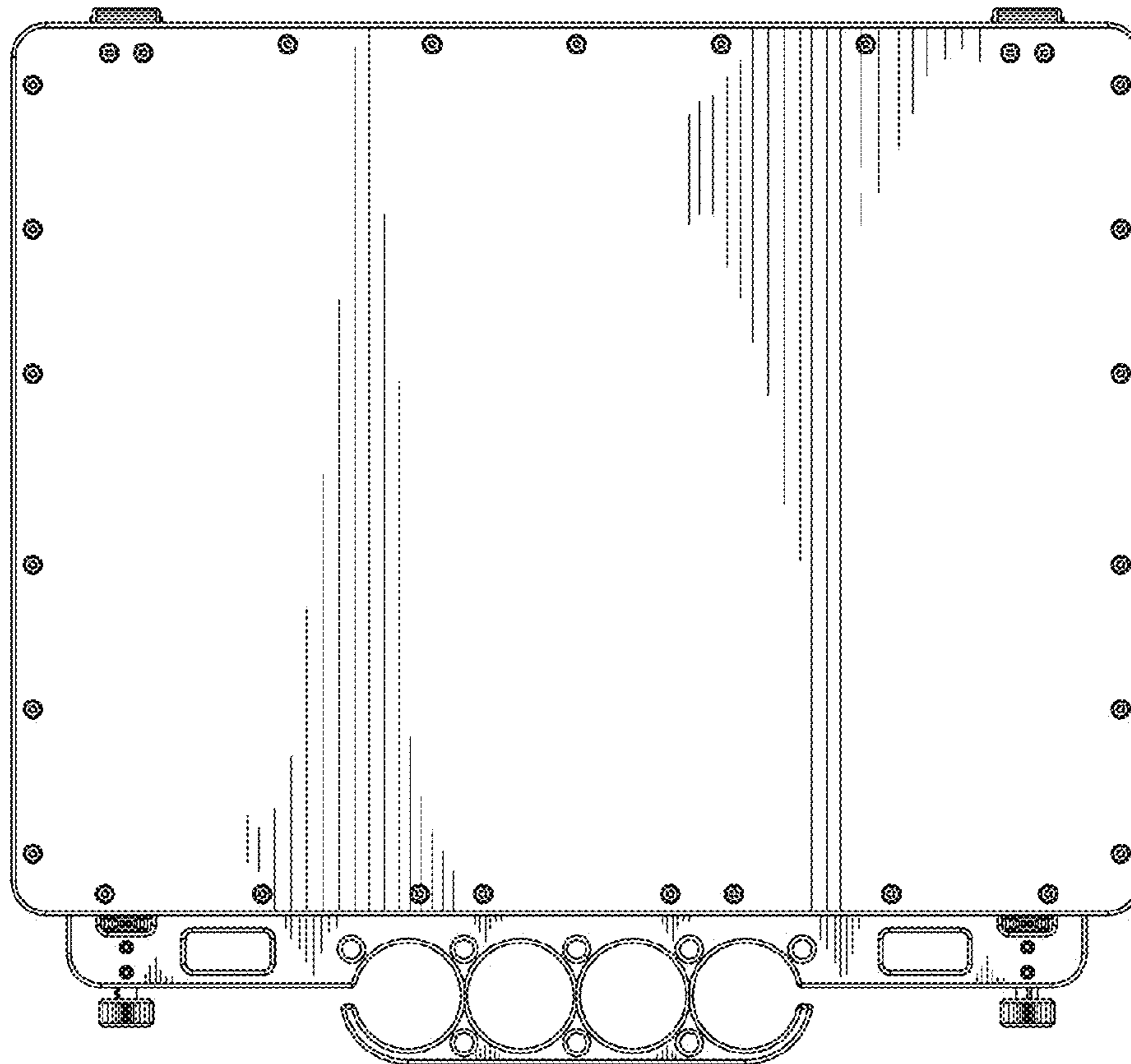


Fig. 6



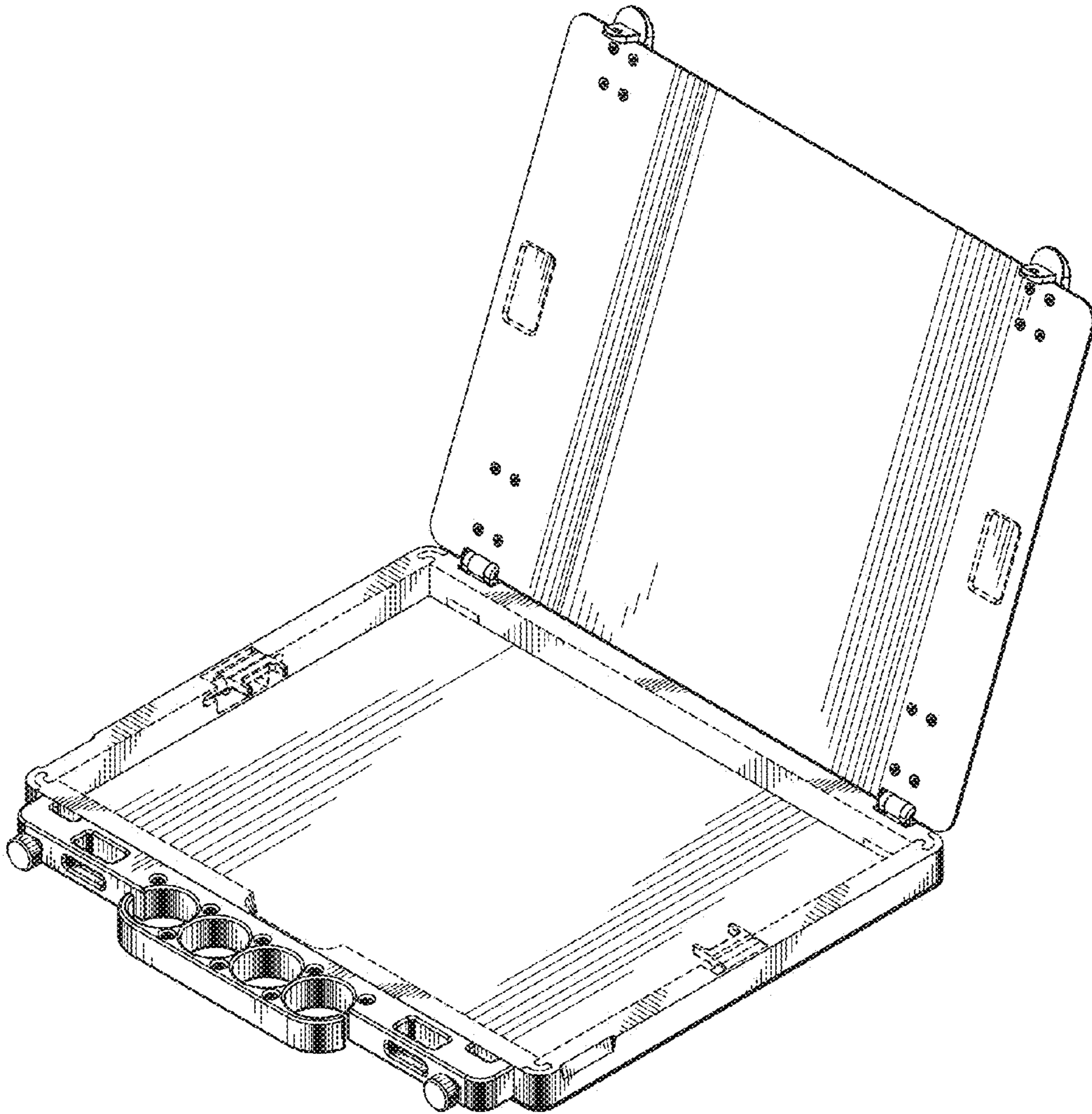


Fig. 7

UNITED STATES PATENT AND TRADEMARK OFFICE  
**CERTIFICATE OF CORRECTION**

PATENT NO. : D726,416 S  
APPLICATION NO. : 29/475009  
DATED : April 14, 2015  
INVENTOR(S) : Sos Gabrielyan

Page 1 of 7

It is certified that error appears in the above-identified patent and that said Letters Patent is hereby corrected as shown below:

Title page

Please delete Title Page, and replace with new Title Page. (attached)

In the Drawings

Please delete Drawing Sheets 1-5, and replace with new Drawing Sheets 1-5. (attached)

Signed and Sealed this  
Twenty-sixth Day of April, 2016



Michelle K. Lee  
*Director of the United States Patent and Trademark Office*

(12) **United States Design Patent**  
**Gabrielyan**

(10) **Patent No.:** **US D726,416 S**  
(45) **Date of Patent:** **\*\* Apr. 14, 2015**

(54) **CASE**

(71) Applicant: **Sos Gabrielyan, Seatac, WA (US)**

(72) Inventor: **Sos Gabrielyan, Seatac, WA (US)**

(\*\*) Term: **14 Years**

(21) Appl. No.: **29/475,009**

(22) Filed: **Nov. 27, 2013**

(51) **LOC (10) Cl.** ..... **03-01**

(52) **U.S. Cl.**  
USPC ..... **D3/282; D3/294**

(58) **Field of Classification Search**  
USPC ..... **D3/280-288, 291-297, 900-905, 272, D3/273, 276, 302; 190/110, 111, 112; 206/372-379, 349, 508; 220/523-528, 220/23.4, 324, 326; D9/415, 276, 282, 424, D9/426**

See application file for complete search history.

(56) **References Cited**

**U.S. PATENT DOCUMENTS**

|              |        |                  |       |        |
|--------------|--------|------------------|-------|--------|
| D314,669 S * | 2/1991 | Kunimune         | ..... | D3/282 |
| D332,466 S * | 1/1993 | Logan            | ..... | D19/36 |
| D403,508 S * | 1/1999 | Kheradpir et al. | ..... | D3/294 |
| D408,144 S * | 4/1999 | Lux              | ..... | D3/292 |
| D424,296 S * | 5/2000 | David            | ..... | D3/273 |

|                   |         |        |       |         |
|-------------------|---------|--------|-------|---------|
| 6,167,680 B1 *    | 1/2001  | Hom    | ..... | 53/473  |
| D578,129 S *      | 10/2008 | Weber  | ..... | D14/440 |
| D691,146 S        | 10/2013 | Perez  |       |         |
| 2007/0074984 A1 * | 4/2007  | Liu    | ..... | 206/349 |
| 2013/0206622 A1 * | 8/2013  | Thomas | ..... | 206/349 |

\* cited by examiner

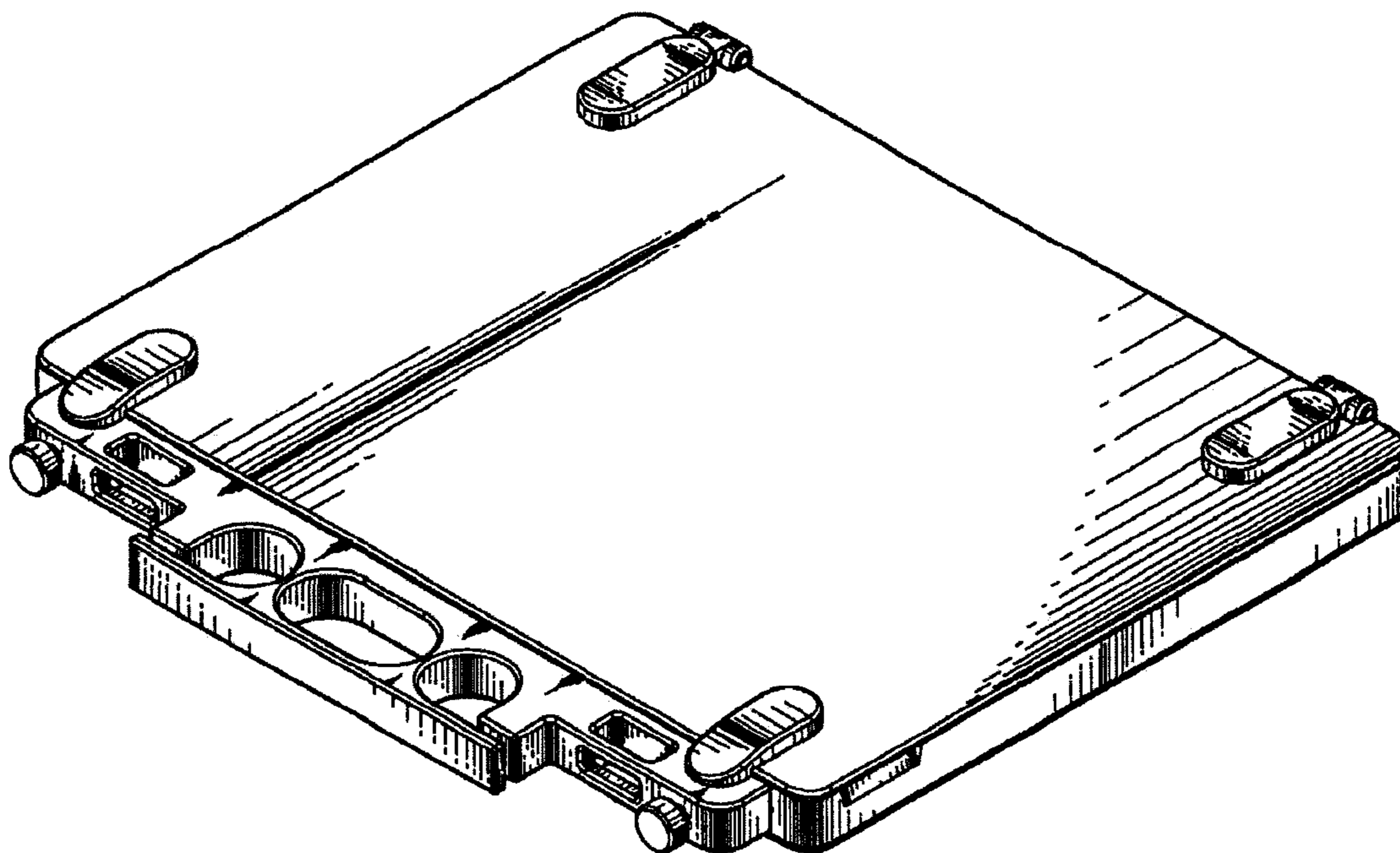
*Primary Examiner* — Jennifer Rivard  
*Assistant Examiner* — April Rivas  
(74) *Attorney, Agent, or Firm* — Cicero Patent Services, PLLC

(57) **CLAIM**  
The ornamental design for a case, as shown and described.

**DESCRIPTION**

FIG. 1 is a front perspective view of the case in accordance with an embodiment of the design;  
FIG. 2 is a top plan view thereof;  
FIG. 3 is a front elevation view thereof;  
FIG. 4 is a rear elevation view thereof;  
FIG. 5 is a right side elevation view thereof, the left side elevation view thereof being a mirror image of the view shown in FIG. 5;  
FIG. 6 is a bottom plan view thereof; and,  
FIG. 7 is a front perspective view of the case showing the lid in an open position.  
The broken lines illustrate portions of the case and form no part of the claimed design.

**1 Claim, 5 Drawing Sheets**





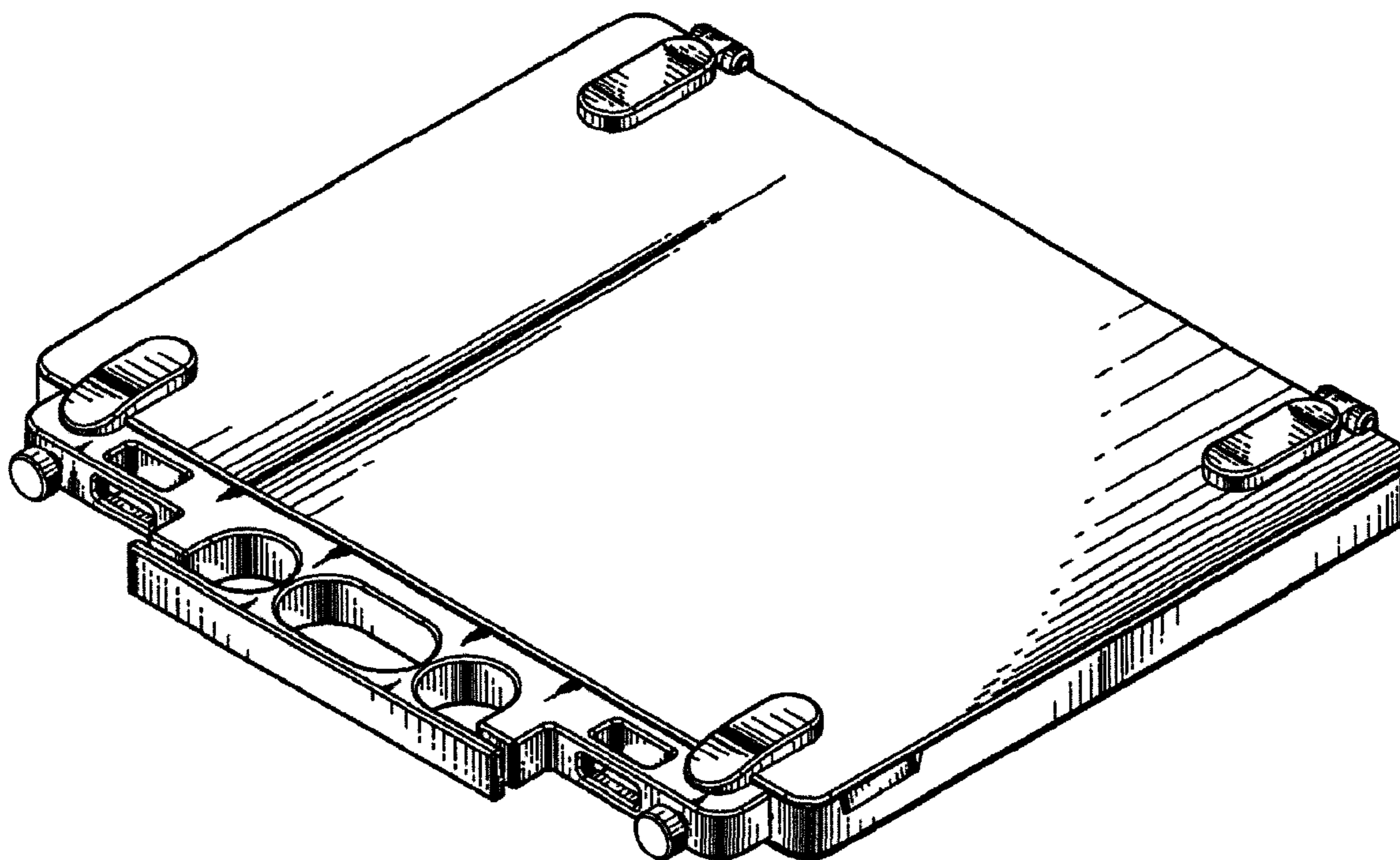


Fig. 1

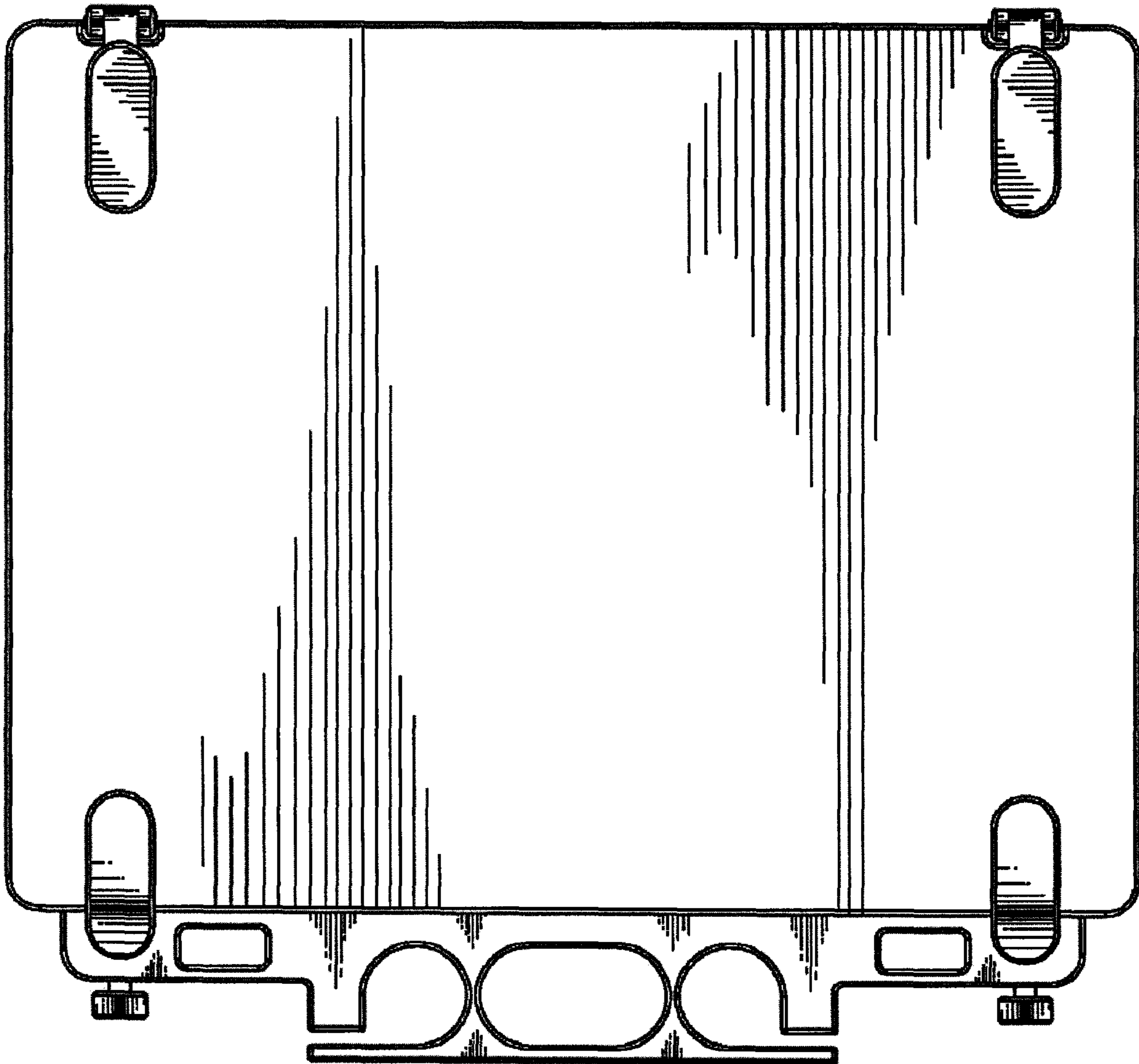


Fig. 2



Fig. 3

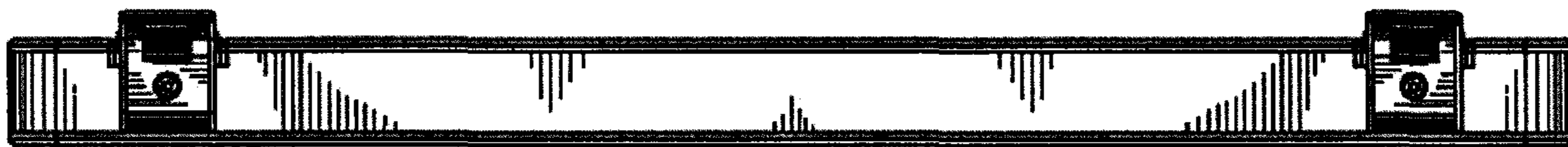


Fig. 4

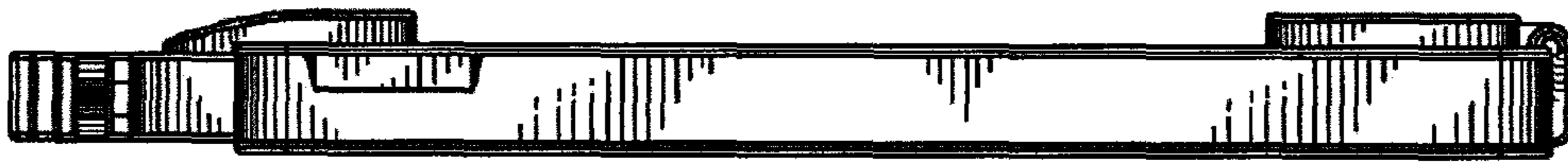


Fig. 5

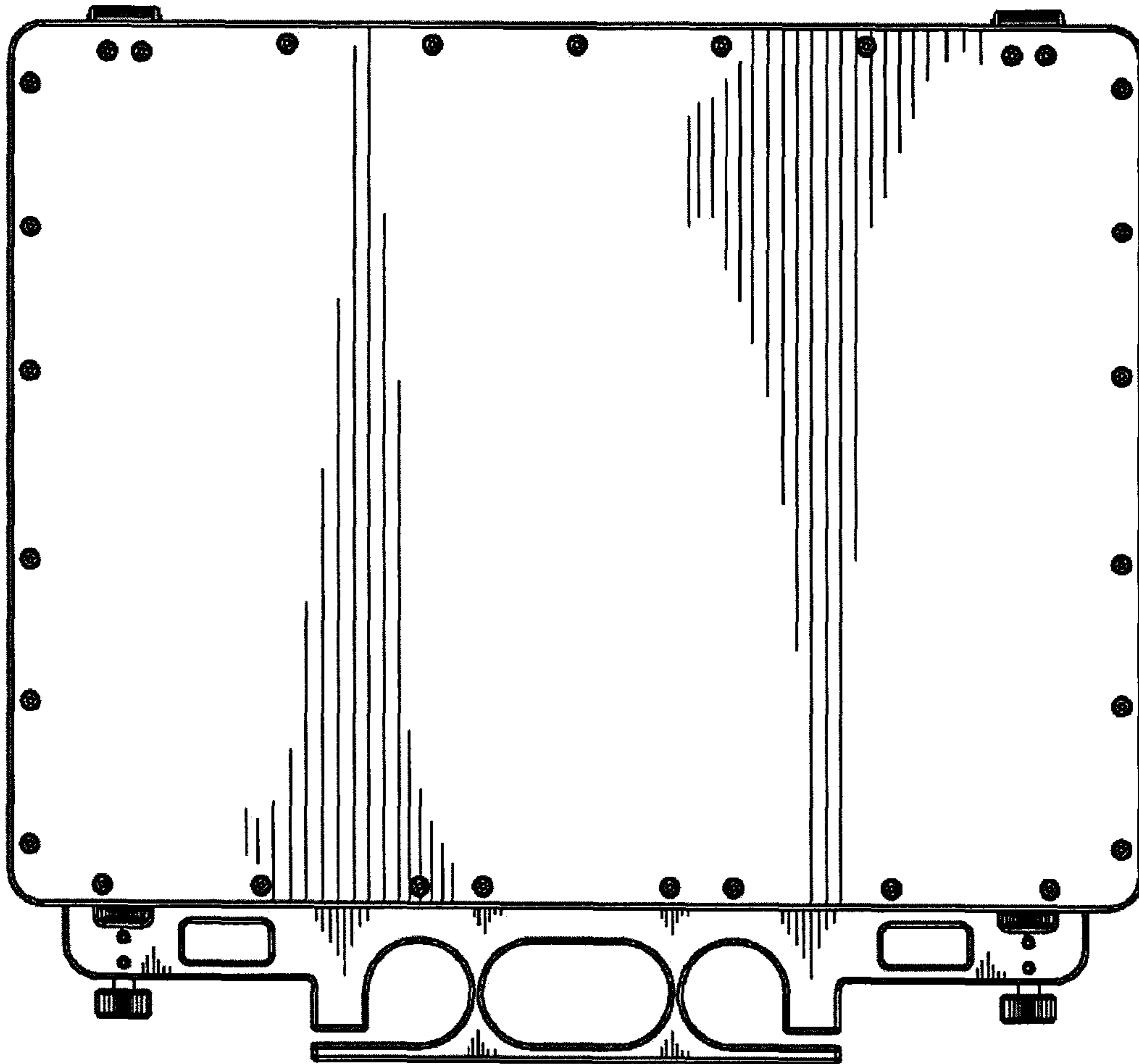


Fig. 6

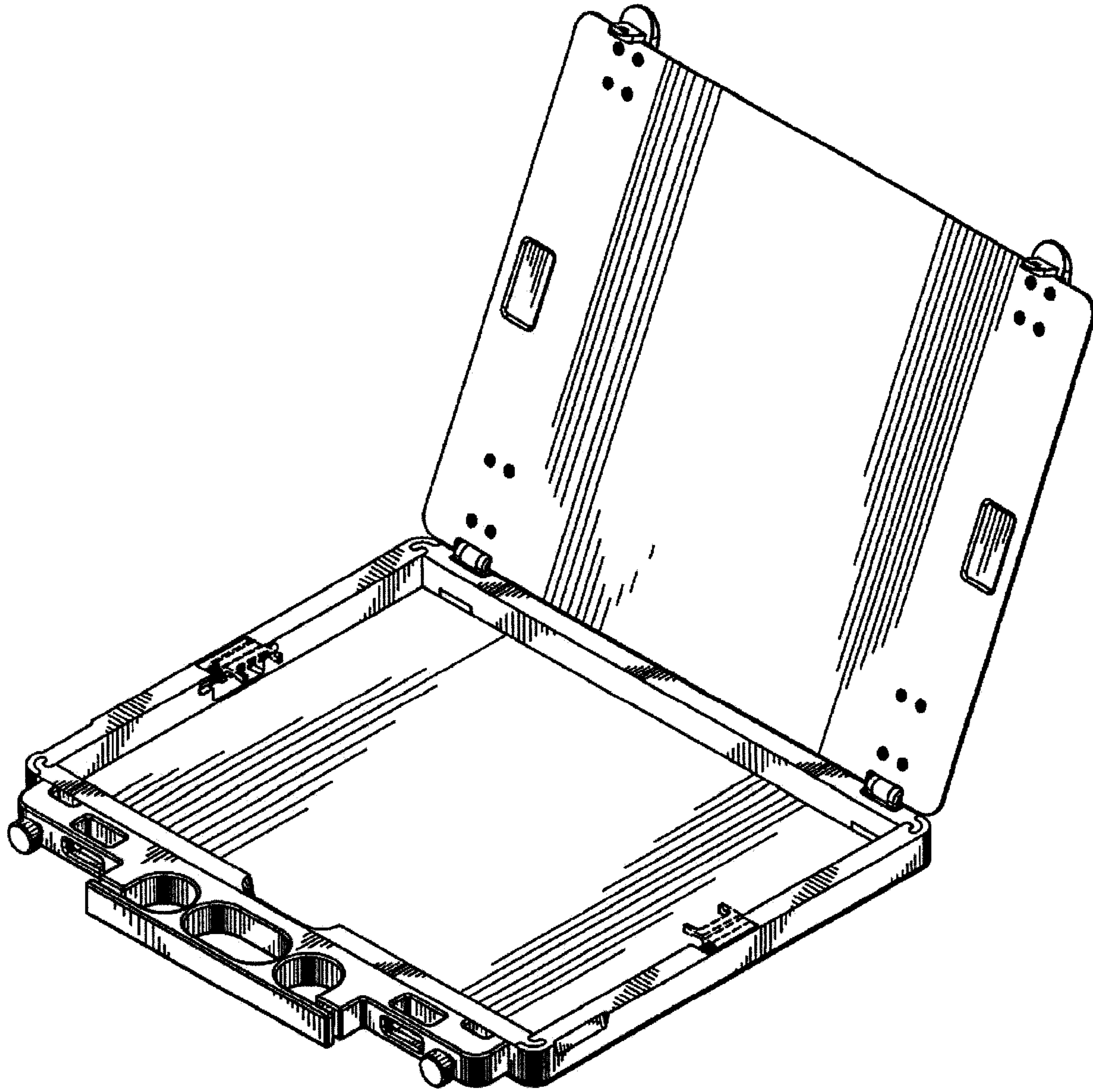


Fig. 7