



US00D726415S

(12) **United States Design Patent**
Masalin et al.

(10) **Patent No.:** **US D726,415 S**

(45) **Date of Patent:** **** Apr. 14, 2015**

- (54) **BOX**
- (71) Applicant: **Fiskars Brands Finland Oy Ab**, Billnäs (FI)
- (72) Inventors: **Petteri Masalin**, Helsinki (FI); **Vesa Korjus**, Lahti (FI); **Jouni Salojärvi**, Helsinki (FI); **Egon Missik**, Lahti (FI); **Pirkka Haimi**, Lahti (FI)
- (73) Assignee: **Fiskars Brands Finland Oy Ab**, Billnäs (FI)
- (**) Term: **14 Years**

5,392,945 A	2/1995	Syrek	
5,862,935 A	1/1999	Dubois et al.	
6,065,626 A	5/2000	Huang et al.	
D452,374 S *	12/2001	Kim	D3/302
D513,871 S *	1/2006	Rosine et al.	D3/273
7,464,831 B2	12/2008	Aiken	
D593,324 S *	6/2009	Simas	D3/302
D645,248 S	9/2011	Osiecki et al.	
D701,044 S	3/2014	Kishimoto	
8,714,394 B2	5/2014	Wulf	
2008/0073367 A1	3/2008	Chuang	
2009/0236255 A1*	9/2009	Piacenza et al.	206/508
2011/0163099 A1	7/2011	DiPietro et al.	
2012/0012493 A1*	1/2012	Cleveland et al.	206/508
2012/0267369 A1	10/2012	Duvigneau	
2013/0334229 A1	12/2013	McCanless	

(21) Appl. No.: **29/501,496**

(22) Filed: **Sep. 4, 2014**

Related U.S. Application Data

(62) Division of application No. 29/440,360, filed on Dec. 20, 2012.

Foreign Application Priority Data

- Jul. 2, 2012 (EM) 002066605-0001
- (51) **LOC (10) Cl.** **03-01**
- (52) **U.S. Cl.**
USPC **D3/276; D3/302**
- (58) **Field of Classification Search**
USPC D3/272, 273, 276, 302; 206/508;
220/684, 686, 212.5, 352, 305, 793,
220/318, 319, 324, 326
See application file for complete search history.

References Cited

U.S. PATENT DOCUMENTS

- 5,377,858 A 1/1995 Morris, Sr.
- 5,390,811 A 2/1995 Ogino et al.

* cited by examiner

Primary Examiner — Jennifer Rivard

(74) *Attorney, Agent, or Firm* — Foley & Lardner LLP

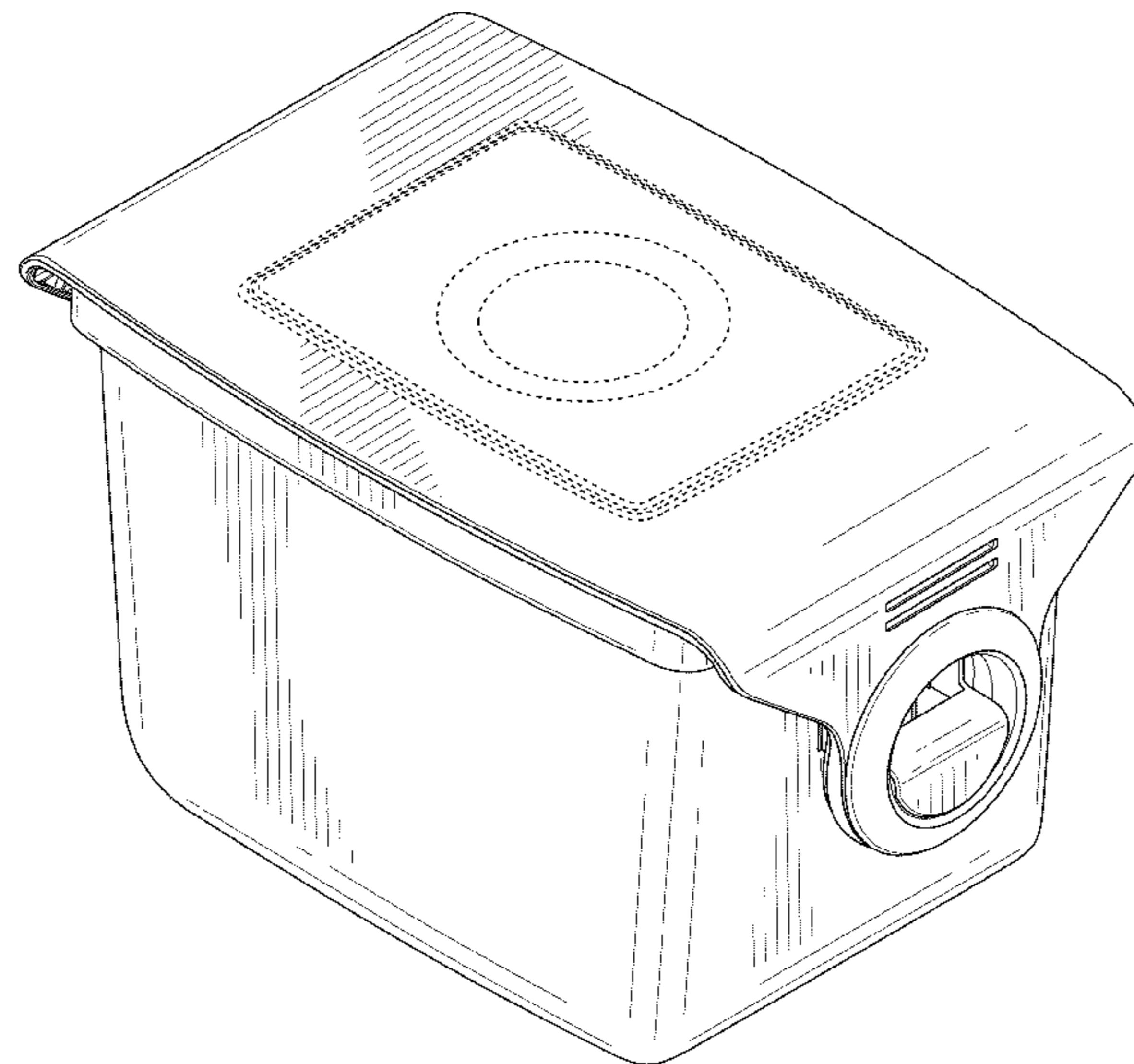
(57) **CLAIM**

We claim the ornamental design for a box, as shown and described.

DESCRIPTION

FIG. 1 is a top perspective view of the claimed design; FIG. 2 is a bottom perspective view of the claimed design of FIG. 1; FIG. 3 is a front elevation view of the claimed design of FIG. 1; FIG. 4 is a rear elevation view of the claimed design of FIG. 1; FIG. 5 is a right side view of the claimed design of FIG. 1, the left side view is a mirror image of the right side view; FIG. 6 is a top view of the claimed design of FIG. 1; and, FIG. 7 is a bottom view of the claimed design of FIG. 1. The ornamental design which is claimed is shown in solid lines in the drawings. The broken lines illustrate portions of the box and form no part of the claimed design.

1 Claim, 7 Drawing Sheets



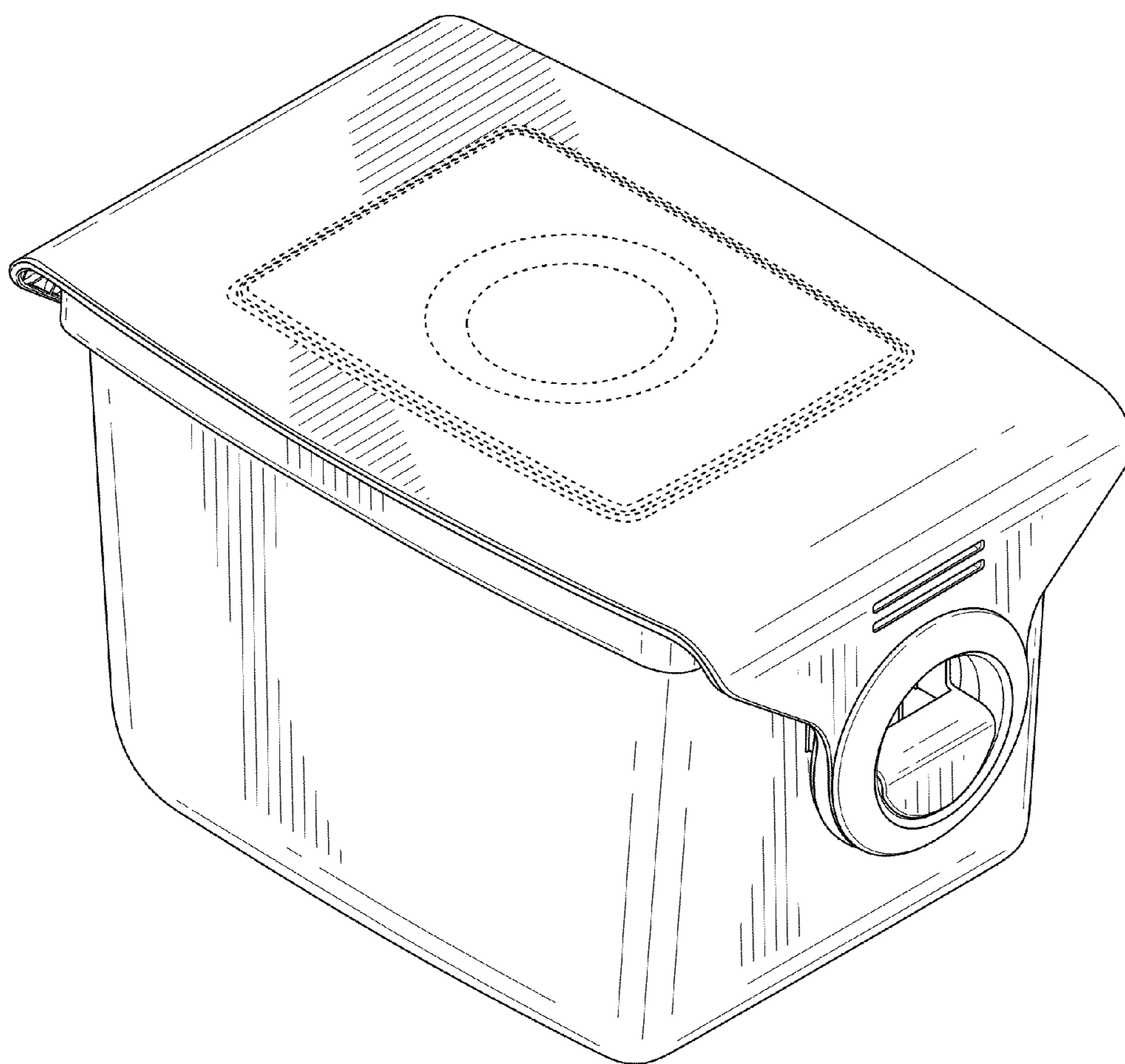


FIG. 1

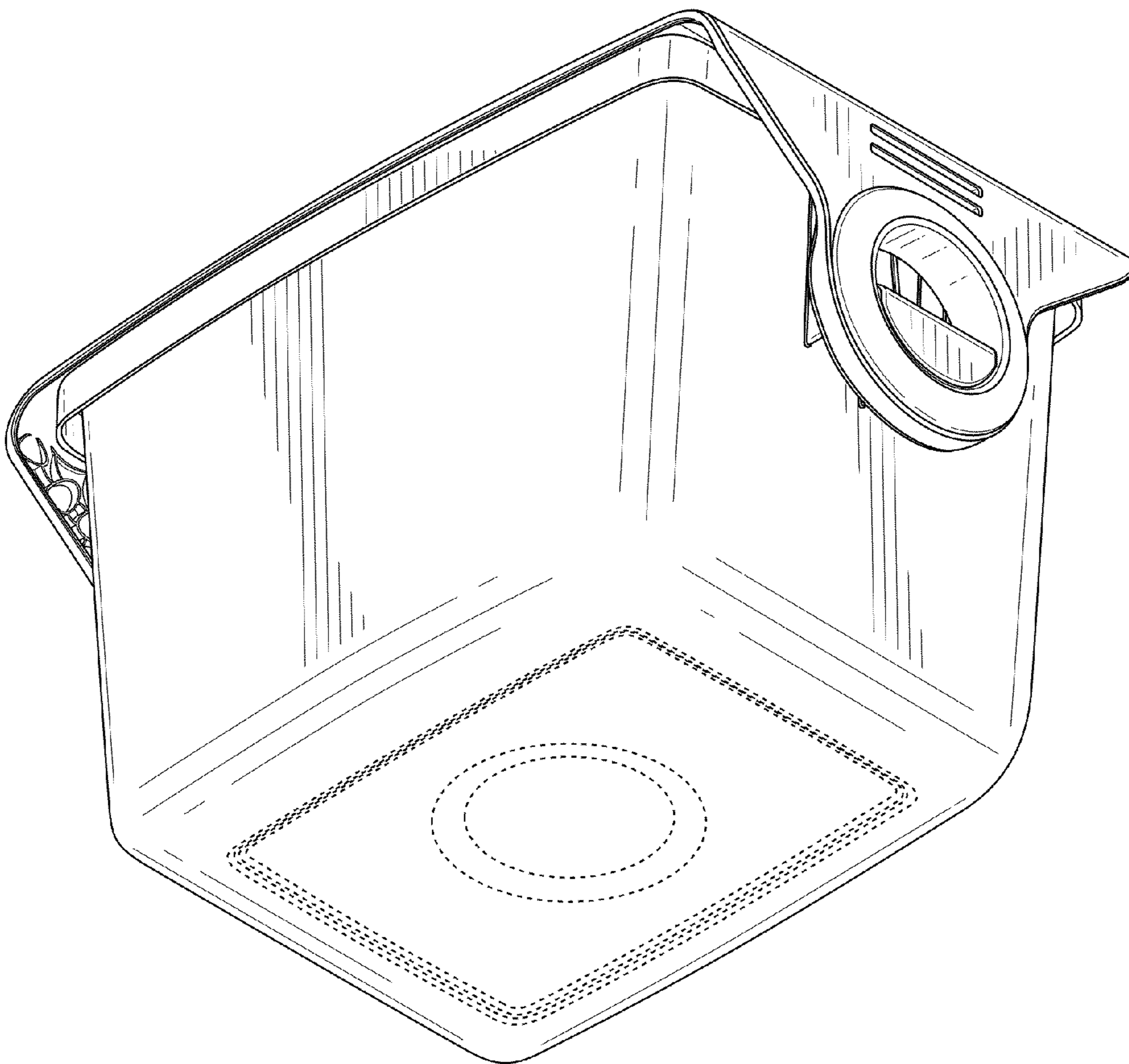


FIG. 2

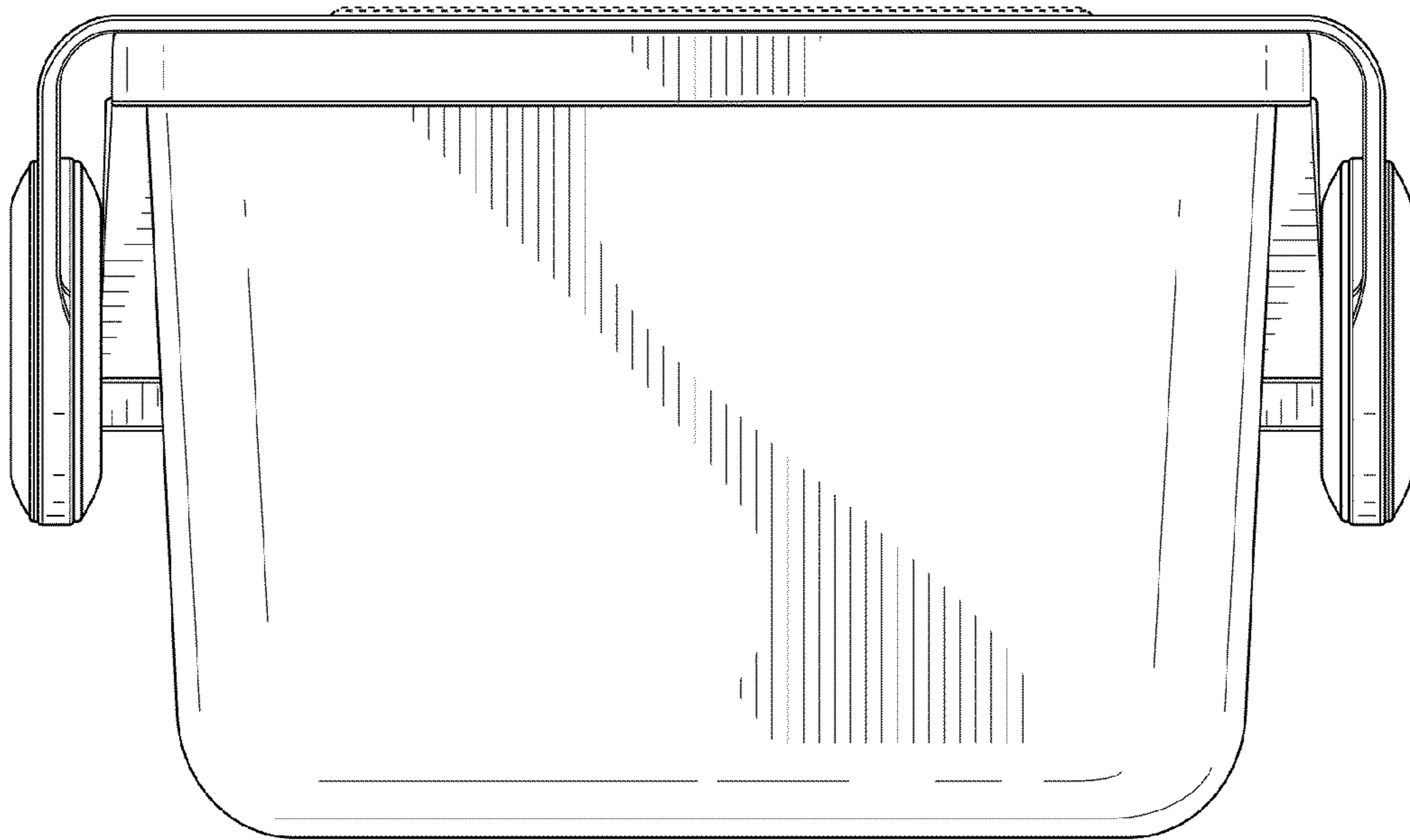


FIG. 3

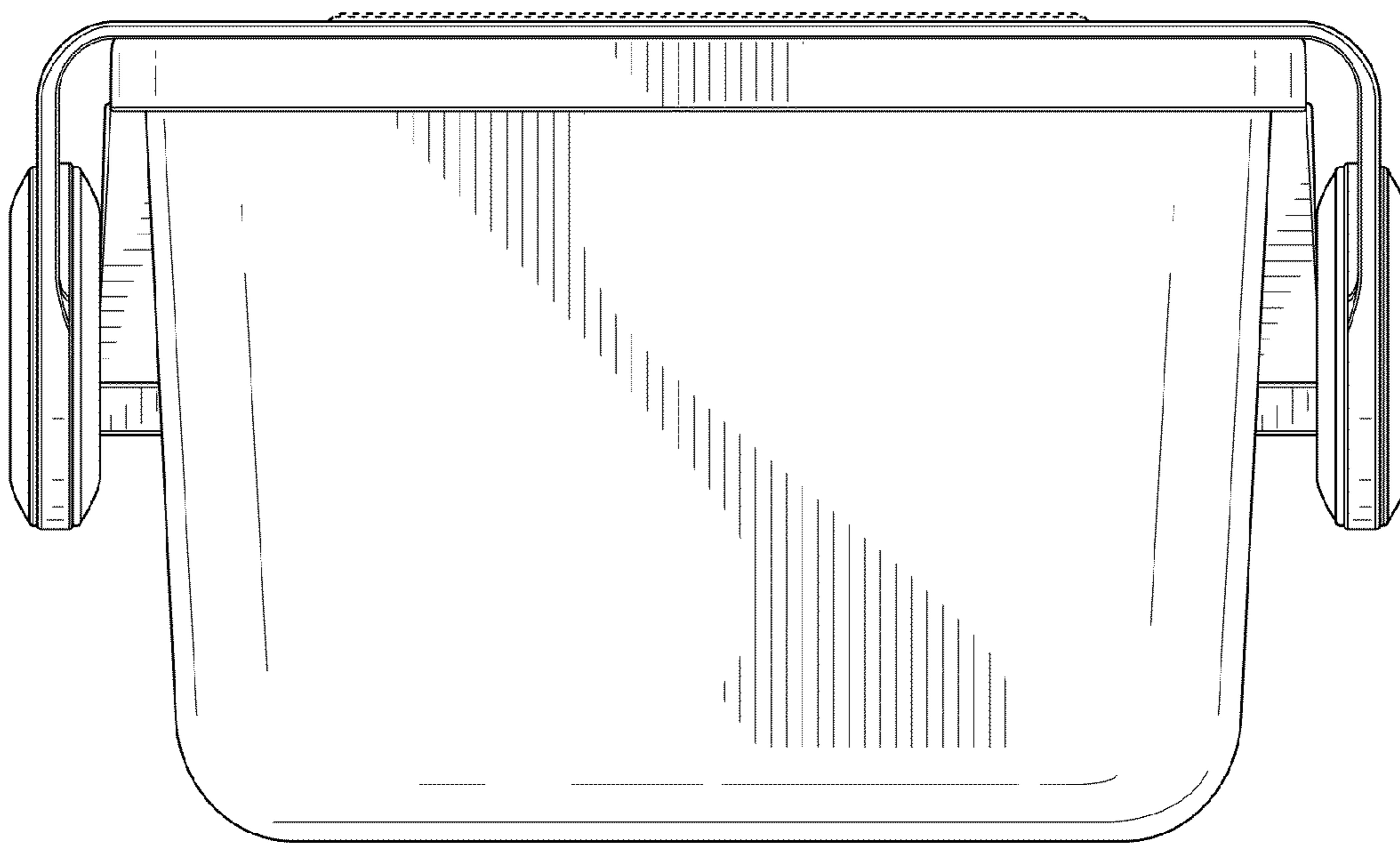


FIG. 4

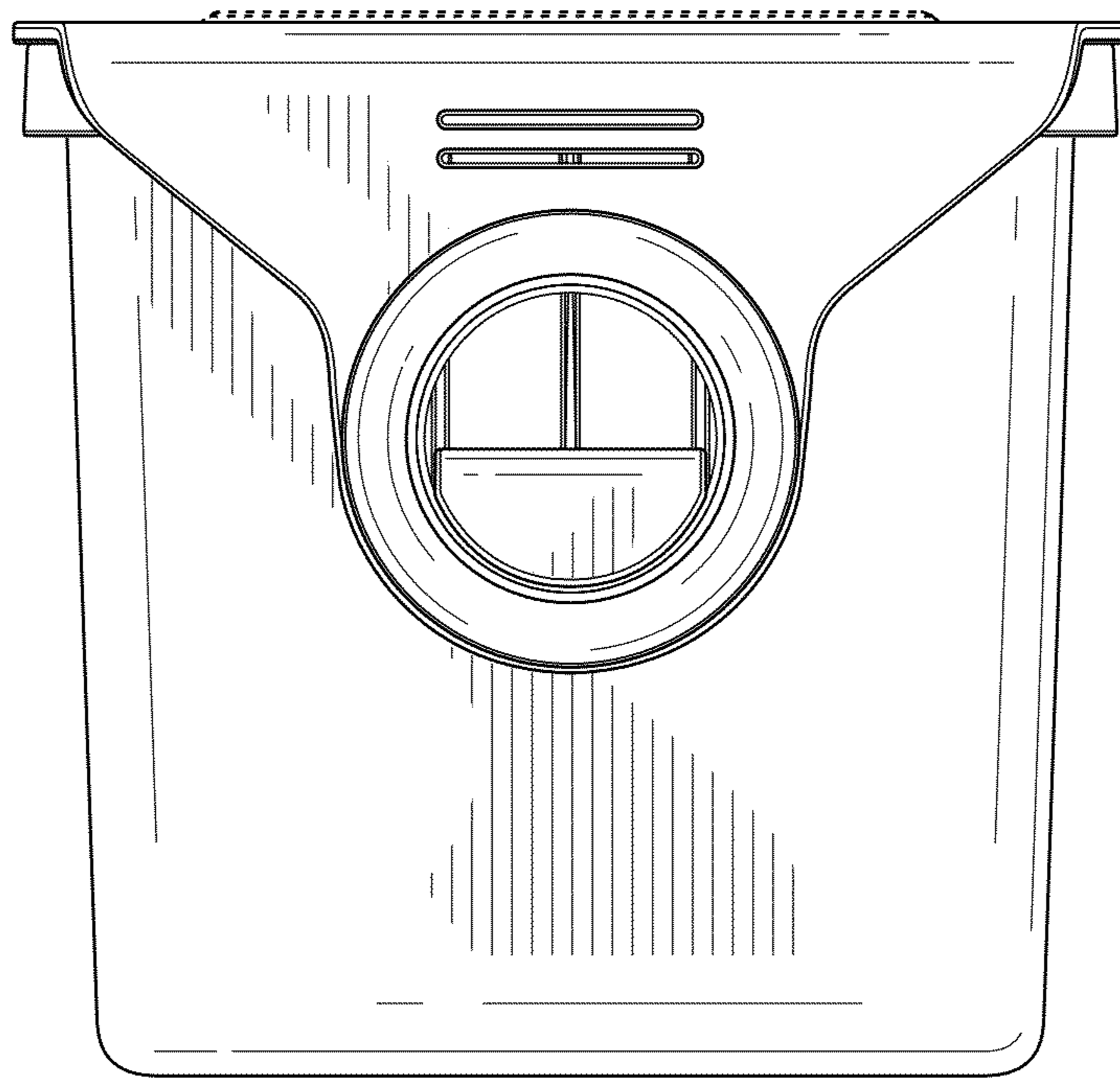


FIG. 5

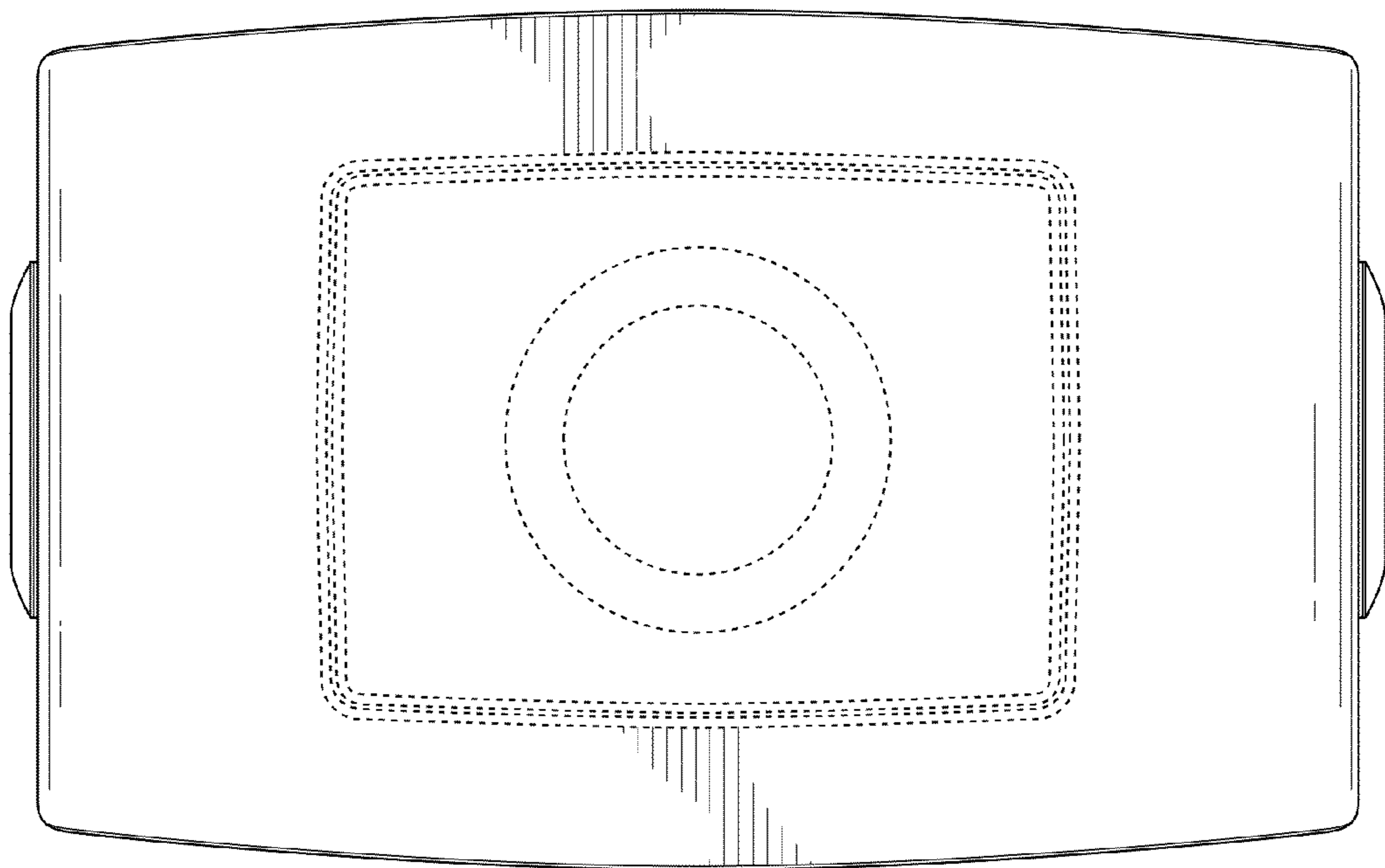


FIG. 6

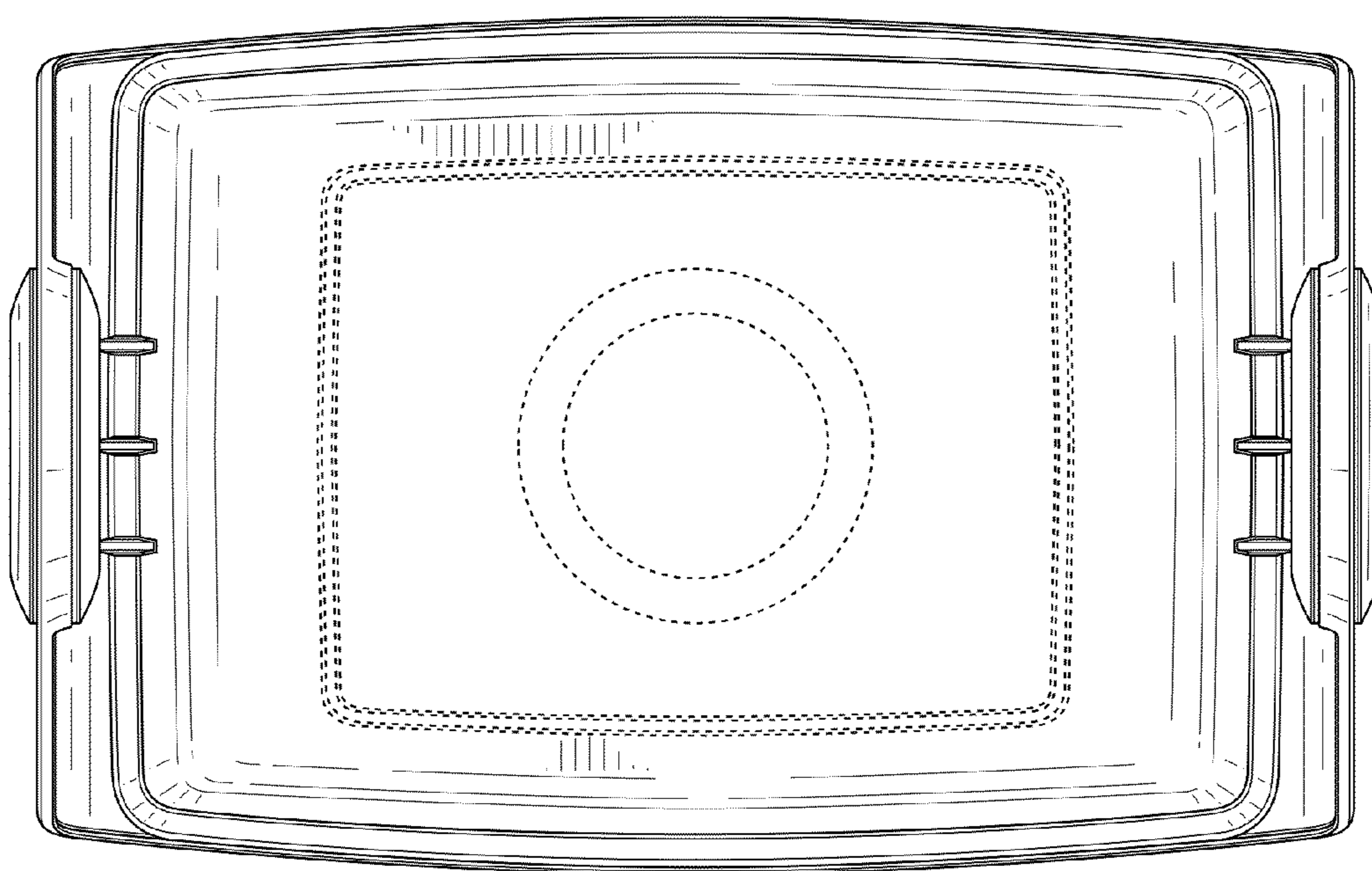


FIG. 7