



US00D726414S

(12) **United States Design Patent**  
**Hutchinson**

(10) **Patent No.:** **US D726,414 S**

(45) **Date of Patent:** **\*\* Apr. 14, 2015**

(54) **POUCH**

(71) Applicant: **David Carl Hutchinson**, Reno, NV (US)

(72) Inventor: **David Carl Hutchinson**, Reno, NV (US)

(\*\*) Term: **14 Years**

(21) Appl. No.: **29/491,374**

(22) Filed: **May 20, 2014**

(51) **LOC (10) Cl.** ..... **03-01**

(52) **U.S. Cl.**  
USPC ..... **D3/271.1**

(58) **Field of Classification Search**

CPC ..... A45C 15/08; A45C 1/02; A45C 1/08;  
A45C 2001/028; A45C 11/24; A45C 11/182;  
A45C 11/207; A45C 3/00; A45D 40/22;  
B65D 85/34; B65D 5/4295; B65D 25/34  
USPC ..... D3/271.1, 270, 205, 218-219, 226, 265,  
D3/266, 234, 237, 238, 271.8, 273, 301,  
D3/303; 150/150, 154; 206/37, 315.1;  
446/71, 73, 75, 76

See application file for complete search history.

(56) **References Cited**

**U.S. PATENT DOCUMENTS**

3,139,348	A *	6/1964	Reifers et al.	426/132
5,826,843	A *	10/1998	Sturm	248/176.1
D409,834	S *	5/1999	Yang	D3/268
D414,216	S *	9/1999	Crain et al.	D21/628
6,298,991	B1	10/2001	Tsai	
6,612,440	B1 *	9/2003	Agulnik	206/521.2
D526,315	S *	8/2006	Rickard	D14/250
D551,451	S	9/2007	Nathanson	
D582,158	S *	12/2008	Nathanson	D3/271.1
D586,229	S *	2/2009	Pallotto	D9/645
D596,241	S *	7/2009	Nathanson	D21/392
D602,250	S *	10/2009	Reiff et al.	D3/270

D626,532	S *	11/2010	Nikiforov et al.	D14/218
D657,631	S	4/2012	Swartz et al.	
D660,587	S *	5/2012	Descotis	D3/237
2005/0075034	A1 *	4/2005	Ritchey	446/71
2005/0106988	A1 *	5/2005	Feld et al.	446/73
2006/0237106	A1 *	10/2006	Pearson	150/128
2008/0035519	A1	2/2008	Swartz et al.	
2009/0117236	A1	5/2009	Watzke	

\* cited by examiner

*Primary Examiner* — Cynthia Ramirez

(74) *Attorney, Agent, or Firm* — Danie Boudwin; Global Intellectual Property Agency LLC

(57) **CLAIM**

The ornamental design for a pouch, as shown and described.

**DESCRIPTION**

FIG. 1 shows a perspective view of a pouch of the present invention.

FIG. 2 shows a first side view of the pouch of the present invention.

FIG. 3 shows a second side view of the pouch of the present invention.

FIG. 4 shows a first cross sectional side view of the pouch of the present invention.

FIG. 5 shows a second cross sectional side view of the pouch of the present invention.

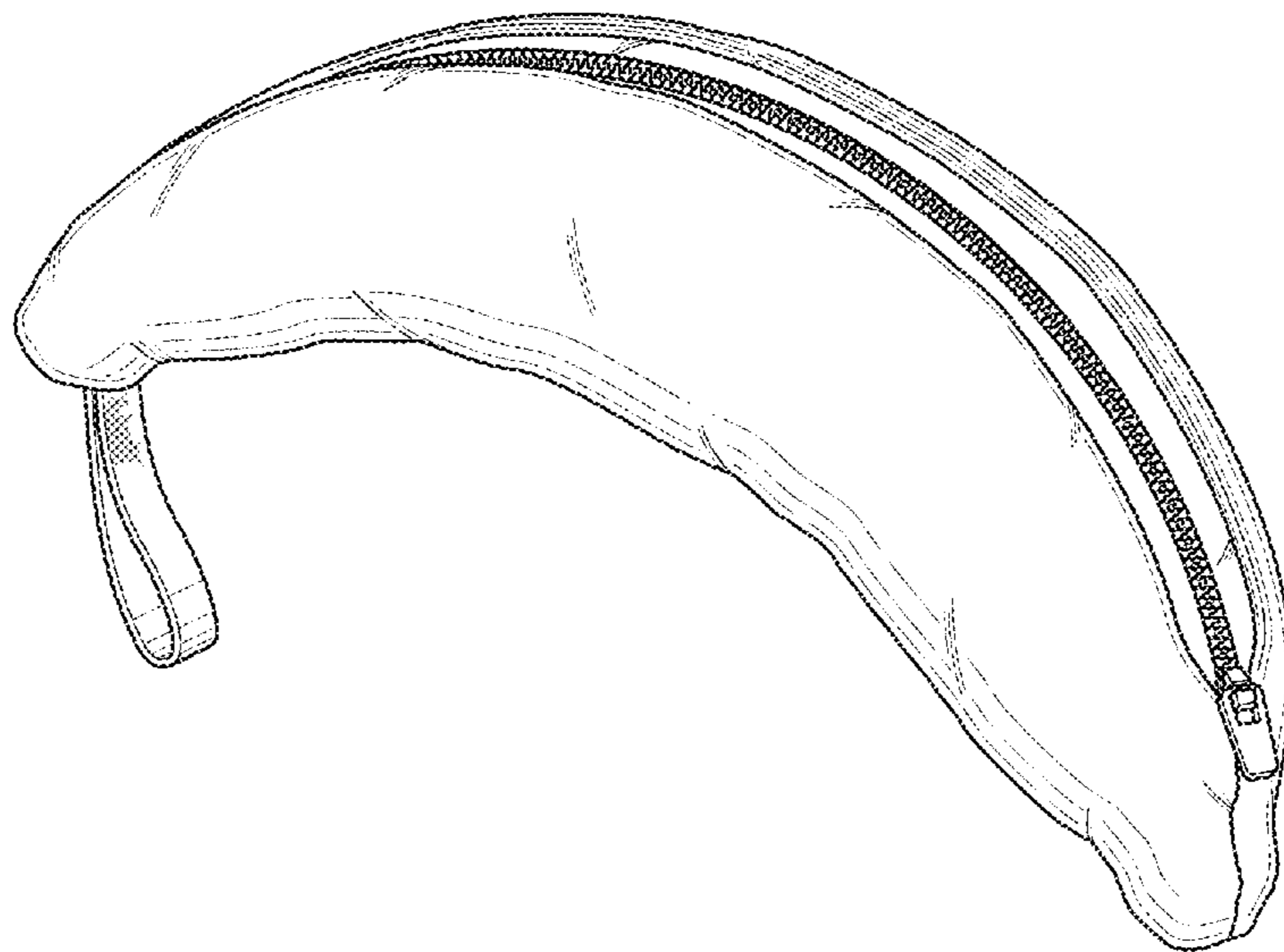
FIG. 6 shows a first end view of the pouch of the present invention.

FIG. 7 shows a second end view of the pouch of the present invention.

FIG. 8 shows an overhead view of the pouch of the present invention; and,

FIG. 9 shows an underside view of the pouch of the present invention.

**1 Claim, 3 Drawing Sheets**



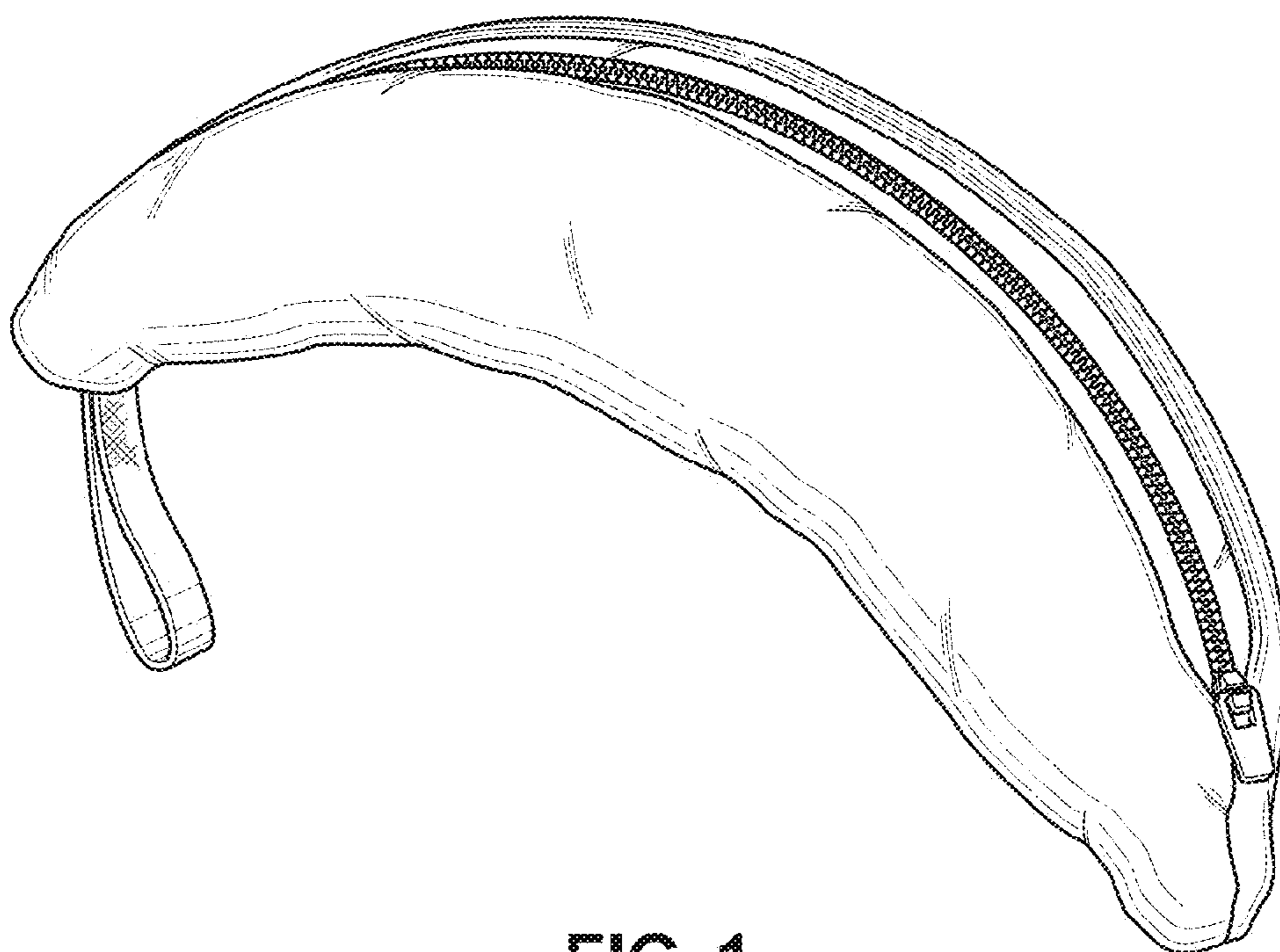


FIG. 1

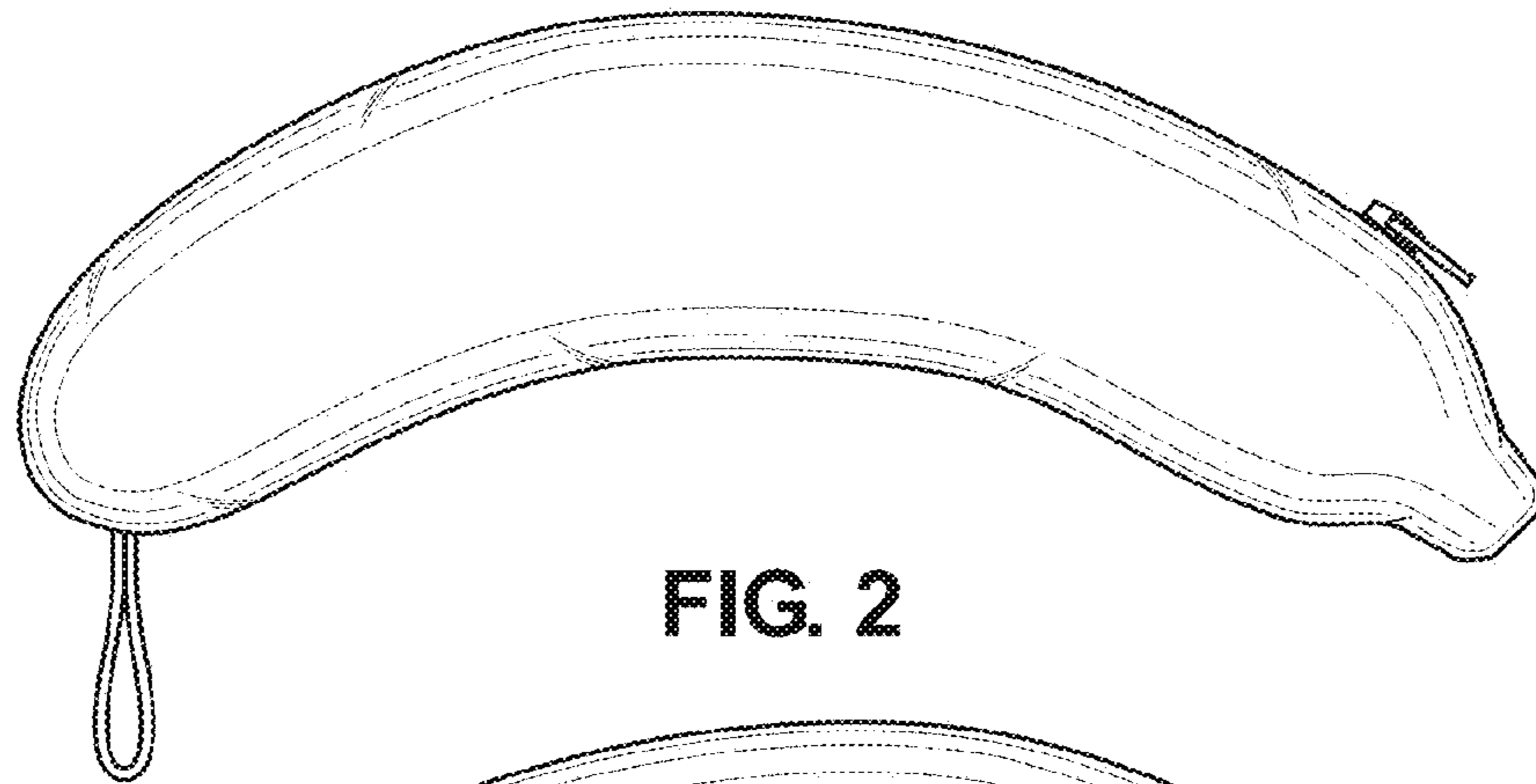


FIG. 2

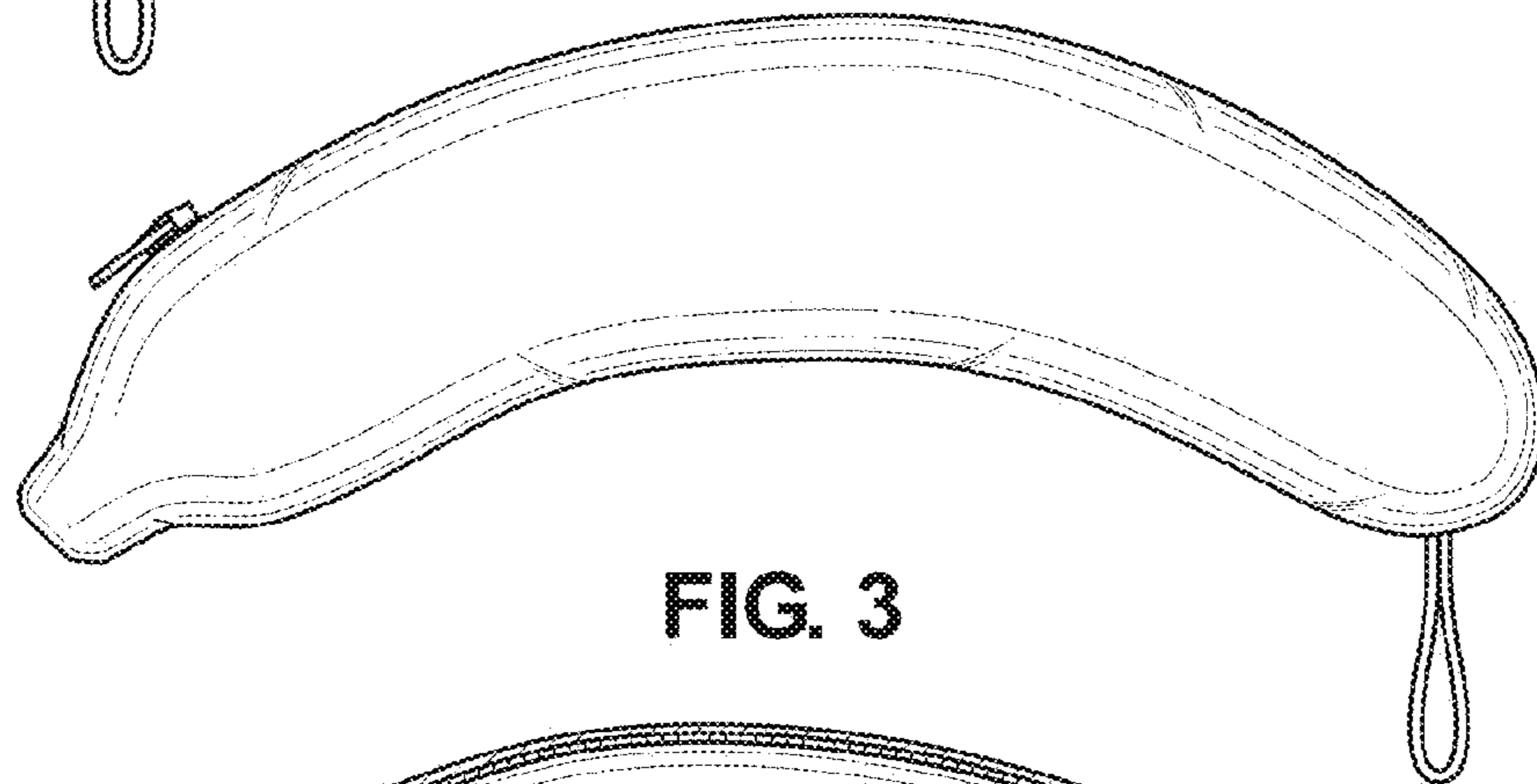


FIG. 3

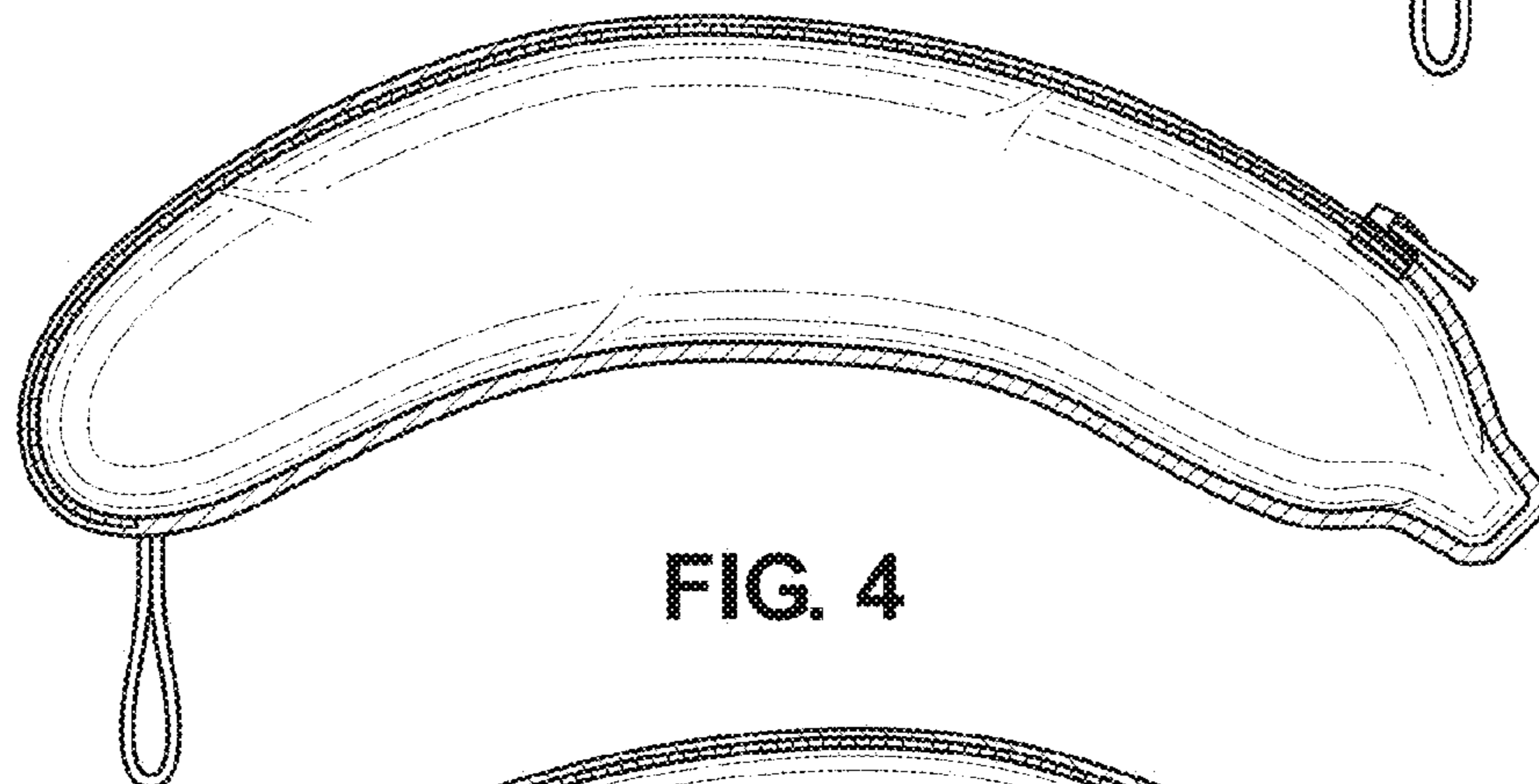


FIG. 4

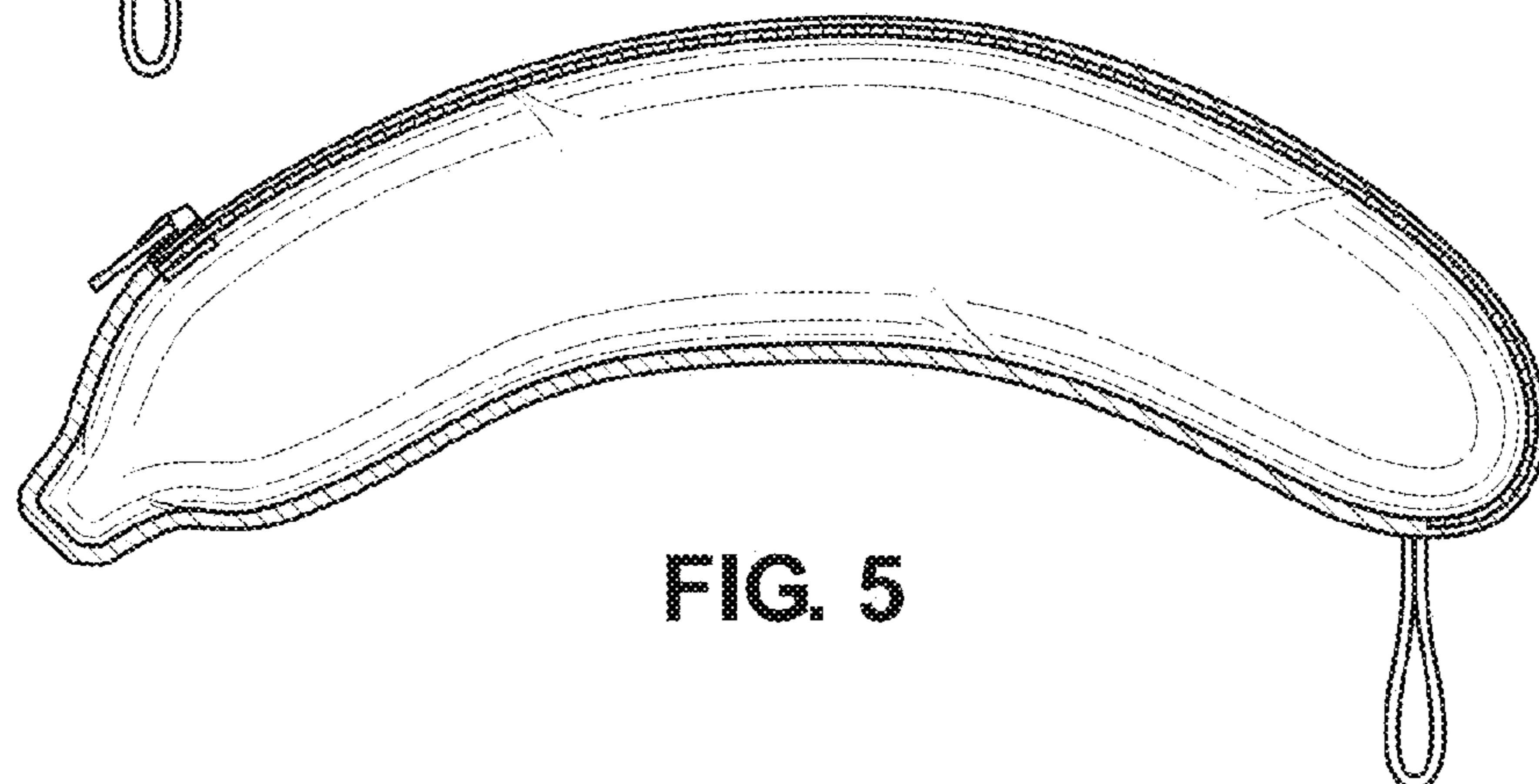


FIG. 5

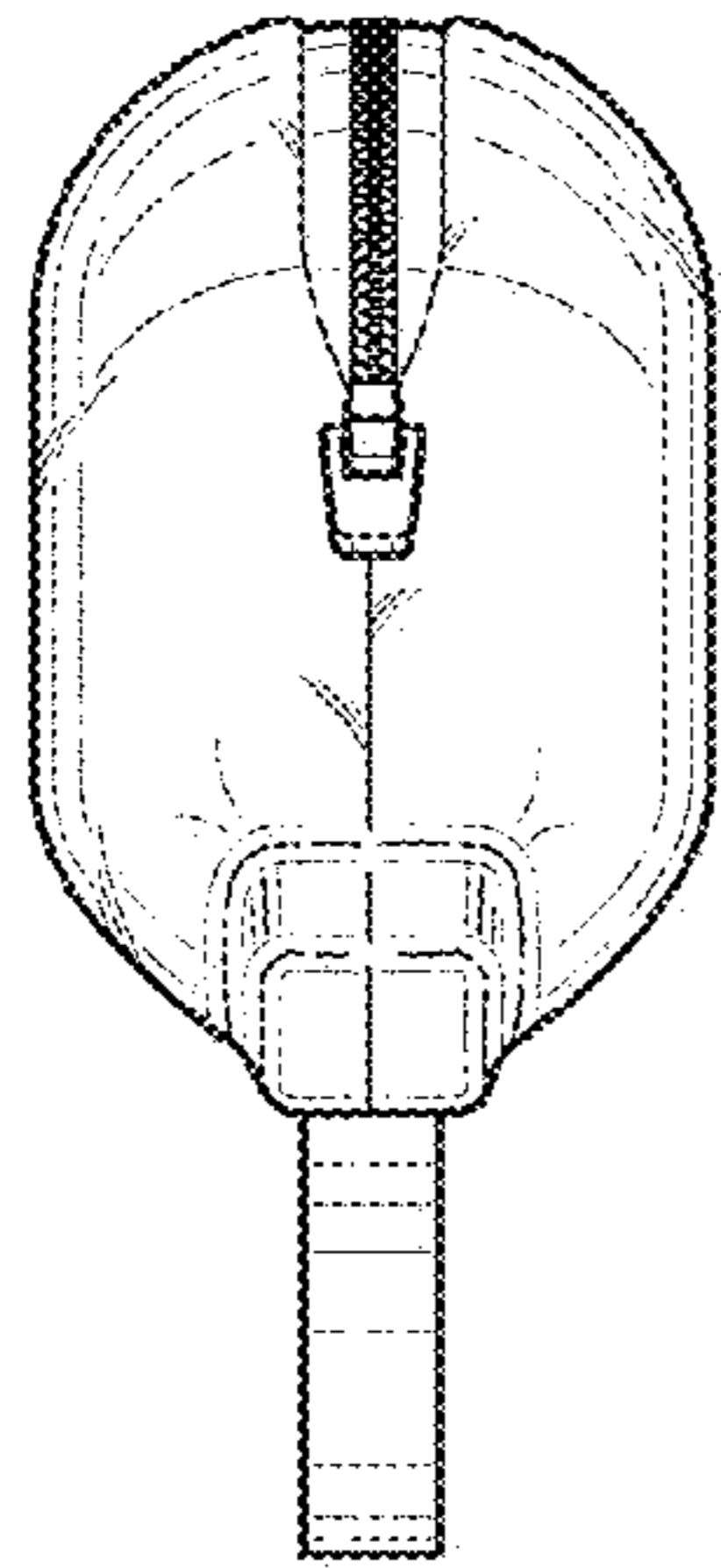


FIG. 6

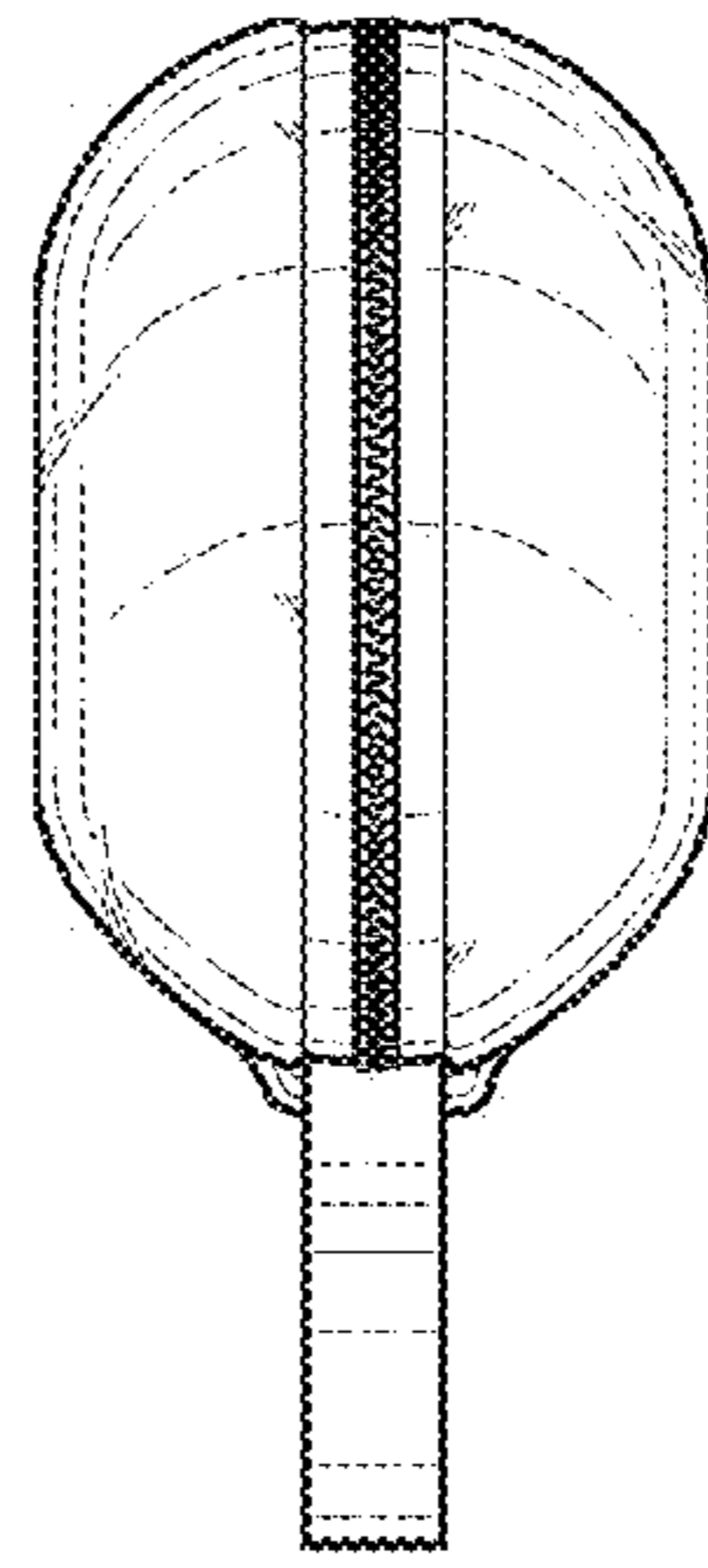


FIG. 7

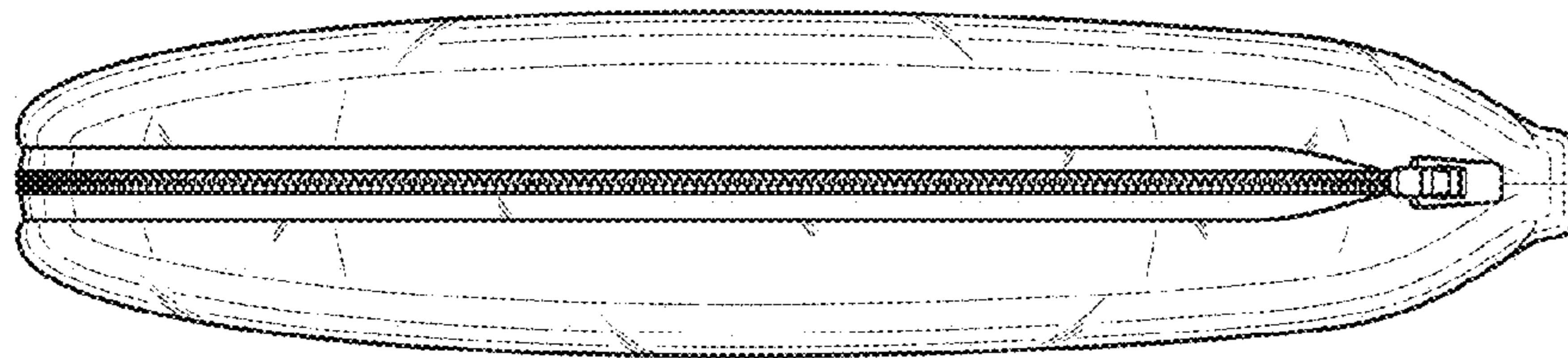


FIG. 8

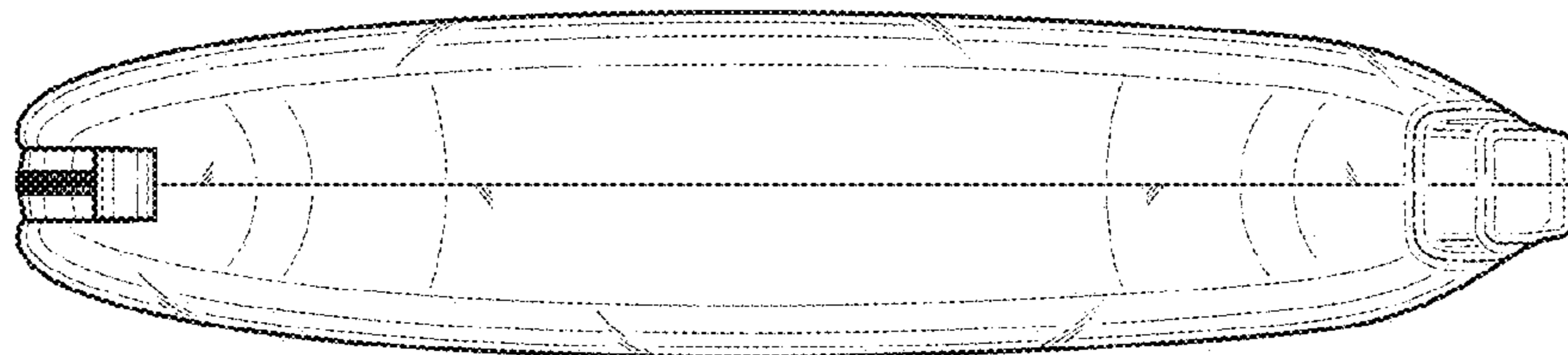


FIG. 9