



US00D726413S

(12) **United States Design Patent**  
**Shalon**

(10) **Patent No.:** **US D726,413 S**  
(45) **Date of Patent:** **\*\* Apr. 14, 2015**

- (54) **EYEWEAR CASE**
- (71) Applicant: **Tadmor Shalon**, Palo Alto, CA (US)
- (72) Inventor: **Tadmor Shalon**, Palo Alto, CA (US)
- (73) Assignee: **Thinoptics, Inc.**, Palo Alto, CA (US)
- (\*\*) Term: **14 Years**
- (21) Appl. No.: **29/474,045**
- (22) Filed: **May 23, 2013**
- (51) **LOC (10) Cl.** ..... **03-01**
- (52) **U.S. Cl.**  
USPC ..... **D3/265**; D3/266
- (58) **Field of Classification Search**  
CPC ..... A45C 11/04; A47F 7/02; A47F 7/021  
USPC ..... D3/207, 215, 219, 229, 263-268, 301,  
D3/201, 218, 249, 269, 303; D12/417;  
D16/330, 339; 24/3.3, 3.7, 3.8; 206/5,  
206/5.1, 6; 248/902; 351/112, 155;  
D14/250  
See application file for complete search history.

D289,122 S \* 4/1987 Meyer et al. .... D6/573  
4,840,476 A 6/1989 Rooney  
D305,478 S \* 1/1990 Lahm et al. .... D3/264

(Continued)

FOREIGN PATENT DOCUMENTS

DE 4407313 A1 9/1995  
EP 2016457 B1 6/2011  
WO WO2010/086650 A1 8/2010

OTHER PUBLICATIONS

Pince-Nez; www.en.wikipedia.org/wiki/Pince-nez; pp. 1-4; printed Sep. 20, 2013.

(Continued)

*Primary Examiner* — T. Chase Nelson

(74) *Attorney, Agent, or Firm* — Shay Glenn LLP

(57) **CLAIM**

The ornamental design for an eyewear case, as shown and described.

**DESCRIPTION**

FIG. 1 is a perspective view of the eyewear case attached to a smart phone case with smartphone;  
FIG. 2 is a perspective view of the eyewear case with eyewear partially inserted into said case;  
FIG. 3 is a perspective view of the eyewear case attached to a smart phone case without the smartphone;  
FIG. 4 is a front view thereof;  
FIG. 5 is a back view thereof  
FIG. 6 is a left view thereof; and  
FIG. 7 is a right view thereof.  
FIG. 8 is a top view thereof; and,  
FIG. 9 is a bottom view thereof.

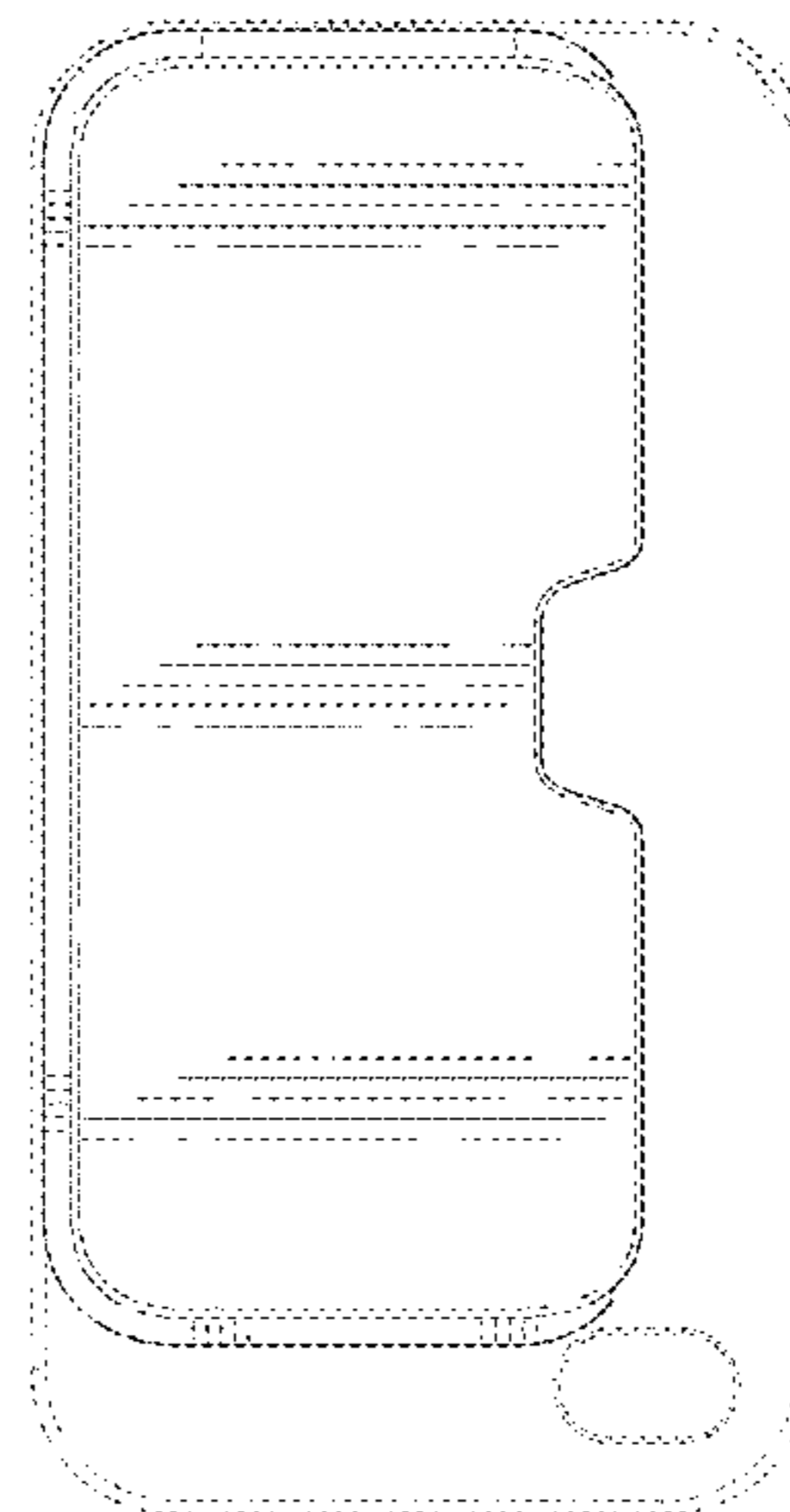
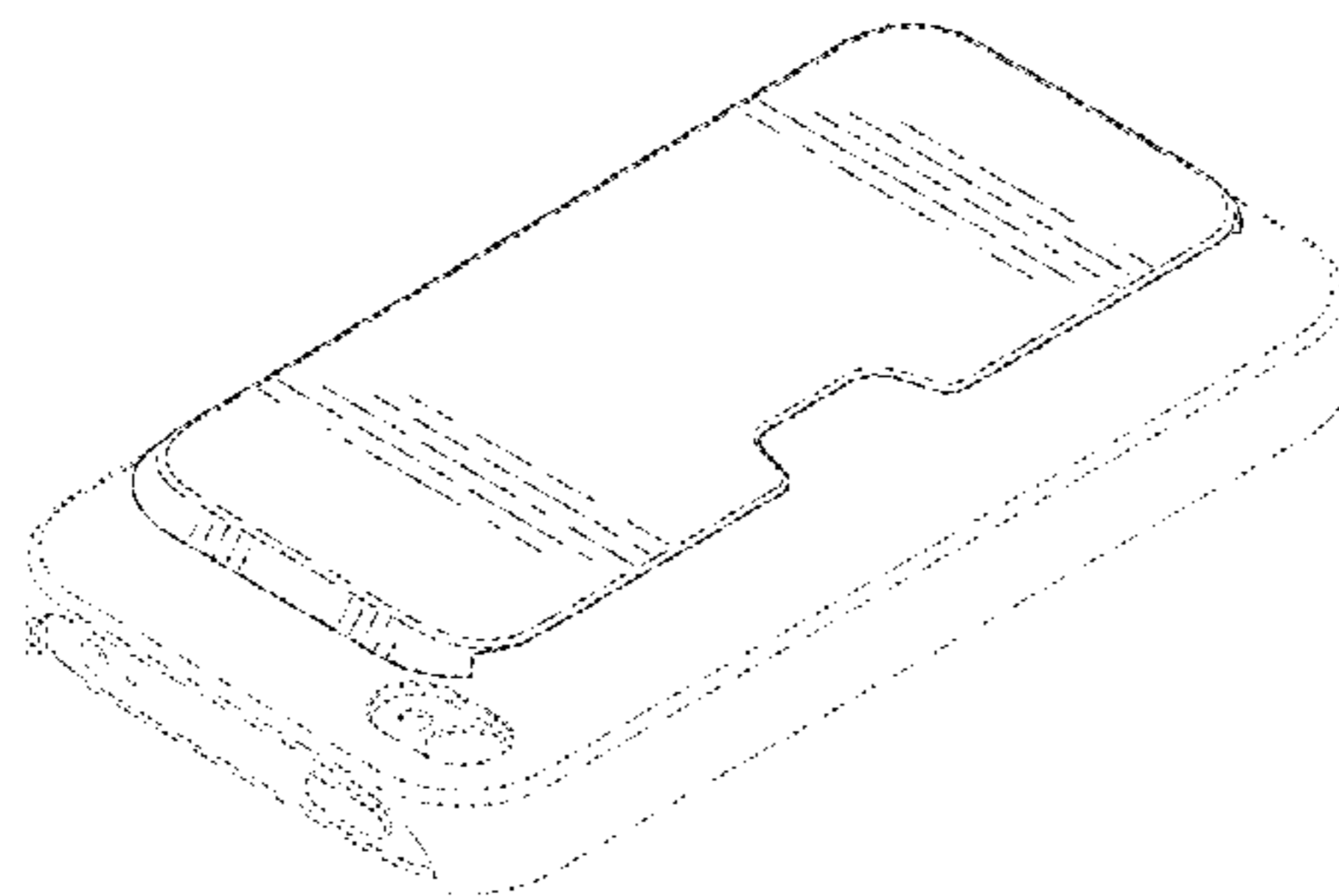
The broken line depiction of a smart phone case, a smart-phone, and eyewear depicts environmental structure associated with the eyewear case in a condition of use. The broken lines and environmental structure they depict form no part of the claimed design.

**1 Claim, 7 Drawing Sheets**

(56) **References Cited**

U.S. PATENT DOCUMENTS

380,491 A	4/1888	Kahn	
470,029 A	3/1892	Wood	
529,988 A	11/1894	Wood	
585,619 A	6/1897	Cottet, Jr.	
677,996 A	7/1901	Kleinert	
1,017,579 A	2/1912	Nicol	
1,919,938 A	7/1933	Fielding	
1,931,634 A	10/1933	Tanasso et al.	
2,004,445 A	6/1935	Meyer	
2,023,469 A	12/1935	Grier	
2,047,646 A	7/1936	Nerney	
2,234,729 A	3/1941	Montalvo-Guenard	
2,478,921 A	8/1949	Hansen	
D220,597 S *	4/1971	Dawson	D6/407
D247,111 S *	1/1978	Olivan	D12/422



(56)

References Cited

U.S. PATENT DOCUMENTS

4,896,955 A 1/1990 Zider et al.  
 4,924,245 A 5/1990 Dianitsch  
 5,015,087 A 5/1991 Baratelli  
 D318,949 S \* 8/1991 Mawhinney et al. .... D12/422  
 D330,456 S \* 10/1992 Lehman ..... D6/631  
 D343,402 S \* 1/1994 Scoppettone ..... D3/266  
 5,369,451 A 11/1994 Tamagawa  
 D363,603 S \* 10/1995 Leveen et al. .... D3/303  
 D371,679 S \* 7/1996 Nejman ..... D3/265  
 D379,558 S \* 6/1997 Mischenko et al. .... D3/215  
 5,646,707 A 7/1997 Arnette  
 5,748,280 A 5/1998 Herman  
 D407,591 S \* 4/1999 Bologna et al. .... D6/627  
 6,017,119 A 1/2000 Huang  
 D421,526 S \* 3/2000 Isaacson ..... D3/303  
 D435,340 S \* 12/2000 Kojoori ..... D3/250  
 6,158,860 A 12/2000 Huang  
 D438,904 S \* 3/2001 Reynolds ..... D19/90  
 6,264,326 B1 7/2001 Hyoui  
 6,371,614 B1 4/2002 Herman  
 6,773,106 B2 8/2004 Herman  
 6,814,226 B2 \* 11/2004 Chao ..... 206/5  
 D503,087 S \* 3/2005 Dzwil et al. .... D9/416  
 D507,871 S \* 8/2005 DiMarchi et al. .... D3/215  
 D515,805 S \* 2/2006 Jones ..... D3/215  
 D518,636 S \* 4/2006 Sievers ..... D3/301  
 D527,891 S \* 9/2006 Hoeksema ..... D3/207  
 7,117,990 B2 10/2006 Sharif  
 7,452,070 B2 11/2008 Oskarsson  
 7,484,843 B1 2/2009 Lin  
 7,748,843 B2 7/2010 Stewart

D631,246 S \* 1/2011 Boettner ..... D3/218  
 D651,799 S \* 1/2012 Dial ..... D3/301  
 D653,656 S \* 2/2012 Charnas et al. .... D14/250  
 D669,082 S \* 10/2012 Sato ..... D14/425  
 D684,367 S \* 6/2013 Phillips et al. .... D3/301  
 D687,376 S \* 8/2013 Farris-Gilbert et al. .... D13/108  
 D692,236 S \* 10/2013 Ashkenazy ..... D3/289  
 D703,198 S \* 4/2014 Simmer ..... D14/250  
 D703,722 S \* 4/2014 Kim et al. .... D16/237  
 D713,145 S \* 9/2014 Fathollahi ..... D3/303  
 D714,058 S \* 9/2014 Owen ..... D3/303  
 D714,550 S \* 10/2014 Yoo ..... D3/269  
 D715,052 S \* 10/2014 Fair ..... D3/301  
 D716,045 S \* 10/2014 Requa ..... D3/249  
 D716,049 S \* 10/2014 Fair ..... D3/303  
 D719,950 S \* 12/2014 Smith et al. .... D14/250  
 D721,493 S \* 1/2015 Godshaw et al. .... D3/301  
 2001/0055093 A1 12/2001 Saitoh et al.  
 2003/0025871 A1 2/2003 Masunaga  
 2009/0051868 A1 2/2009 Kwan  
 2009/0310080 A1 12/2009 Dellapina  
 2012/0140163 A1 6/2012 Hogan  
 2012/0218506 A1 8/2012 Perez  
 2013/0258269 A1 10/2013 Shalon  
 2014/0251839 A1 \* 9/2014 Shalon ..... 206/5  
 2014/0360898 A1 \* 12/2014 Kantor et al. .... 206/216

OTHER PUBLICATIONS

Shalon, Tadmor; U.S. Appl. No. 14/284,879 entitled "Universal Eyewear," filed May 22, 2014.  
 Shalon, Tadmor; Design U.S. Appl. No. 29/474,044 entitled "Pince Nez Eyewear," filed May 23, 2013.

\* cited by examiner

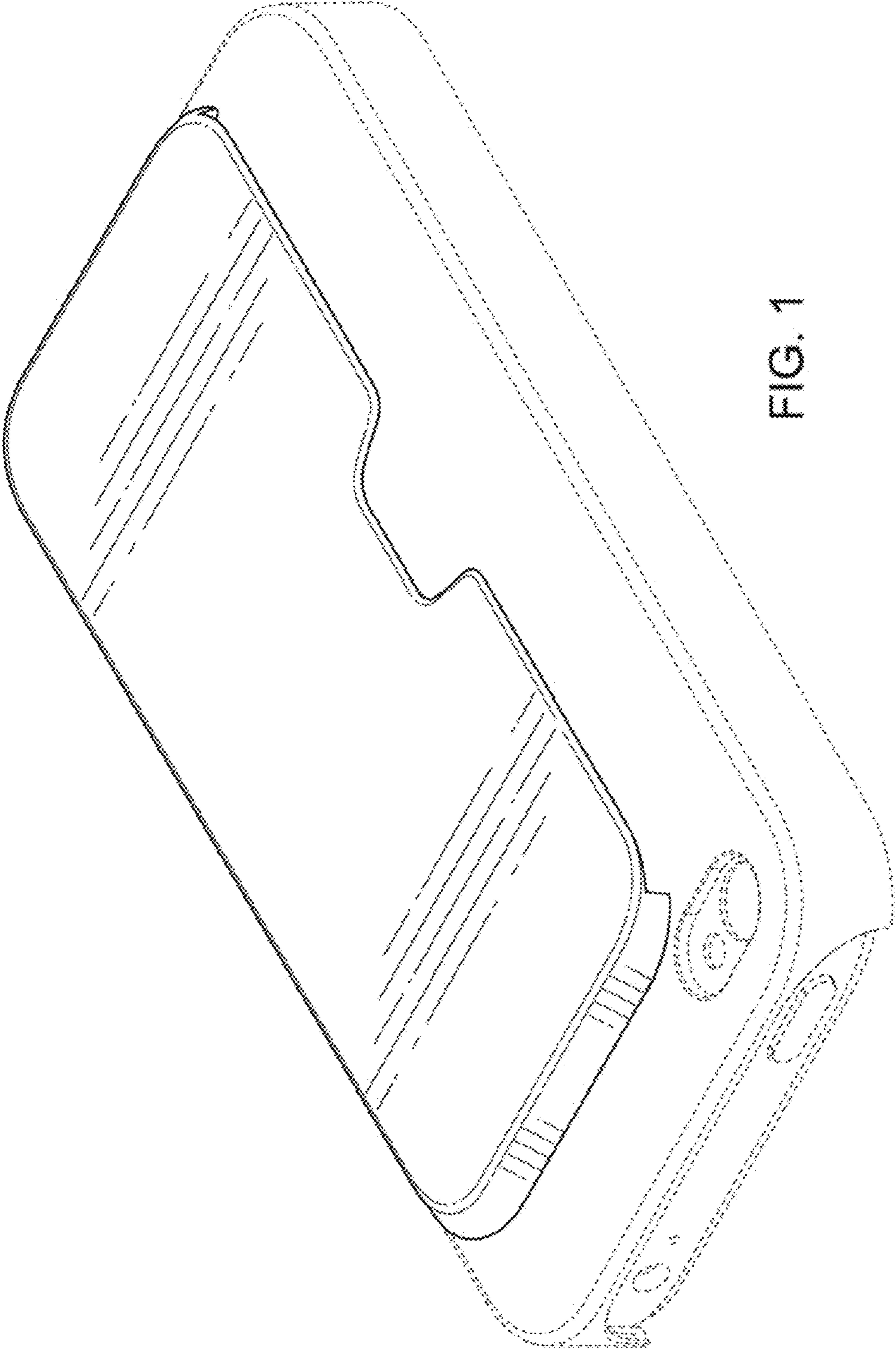


FIG. 1

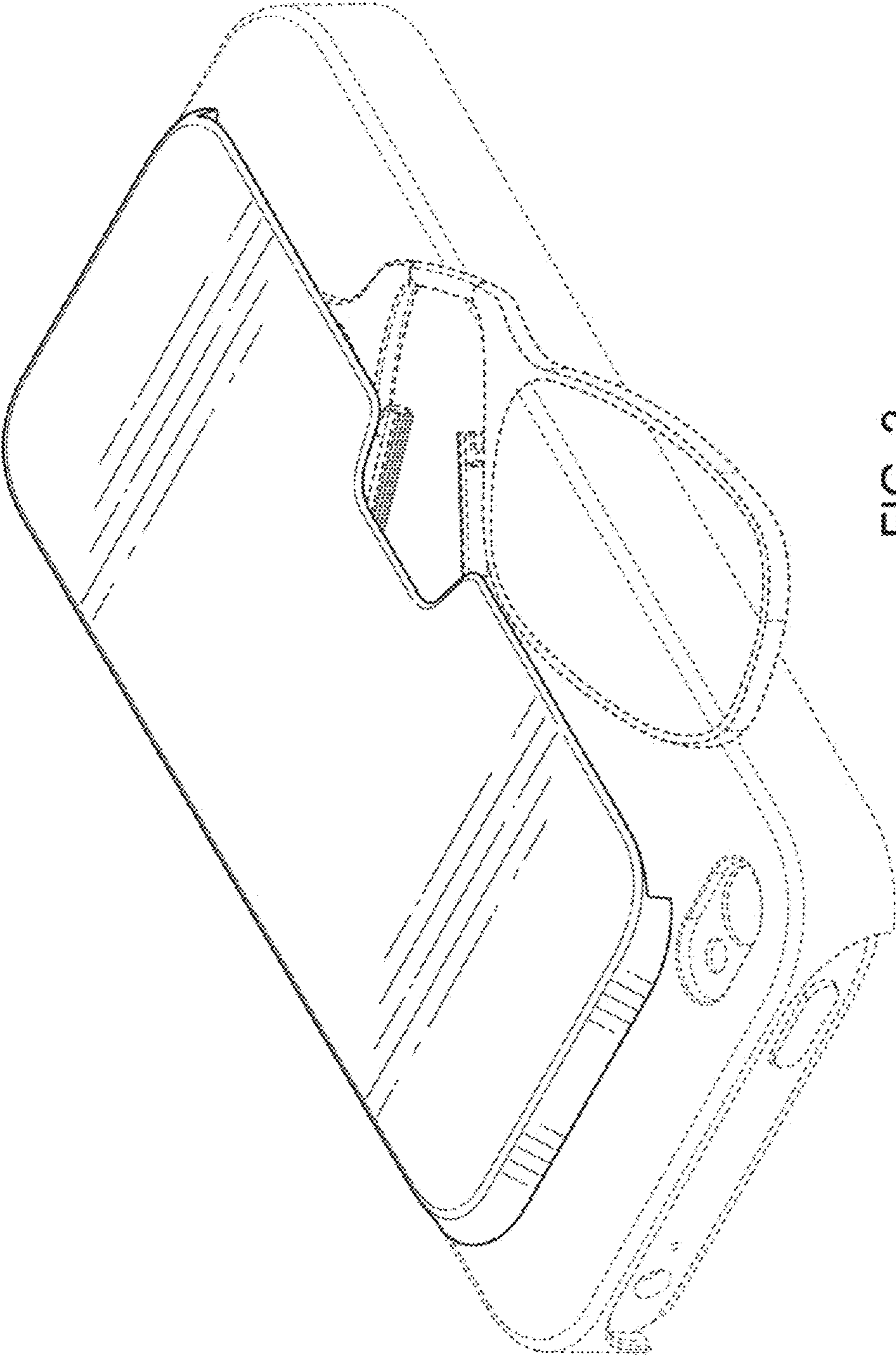


FIG. 2

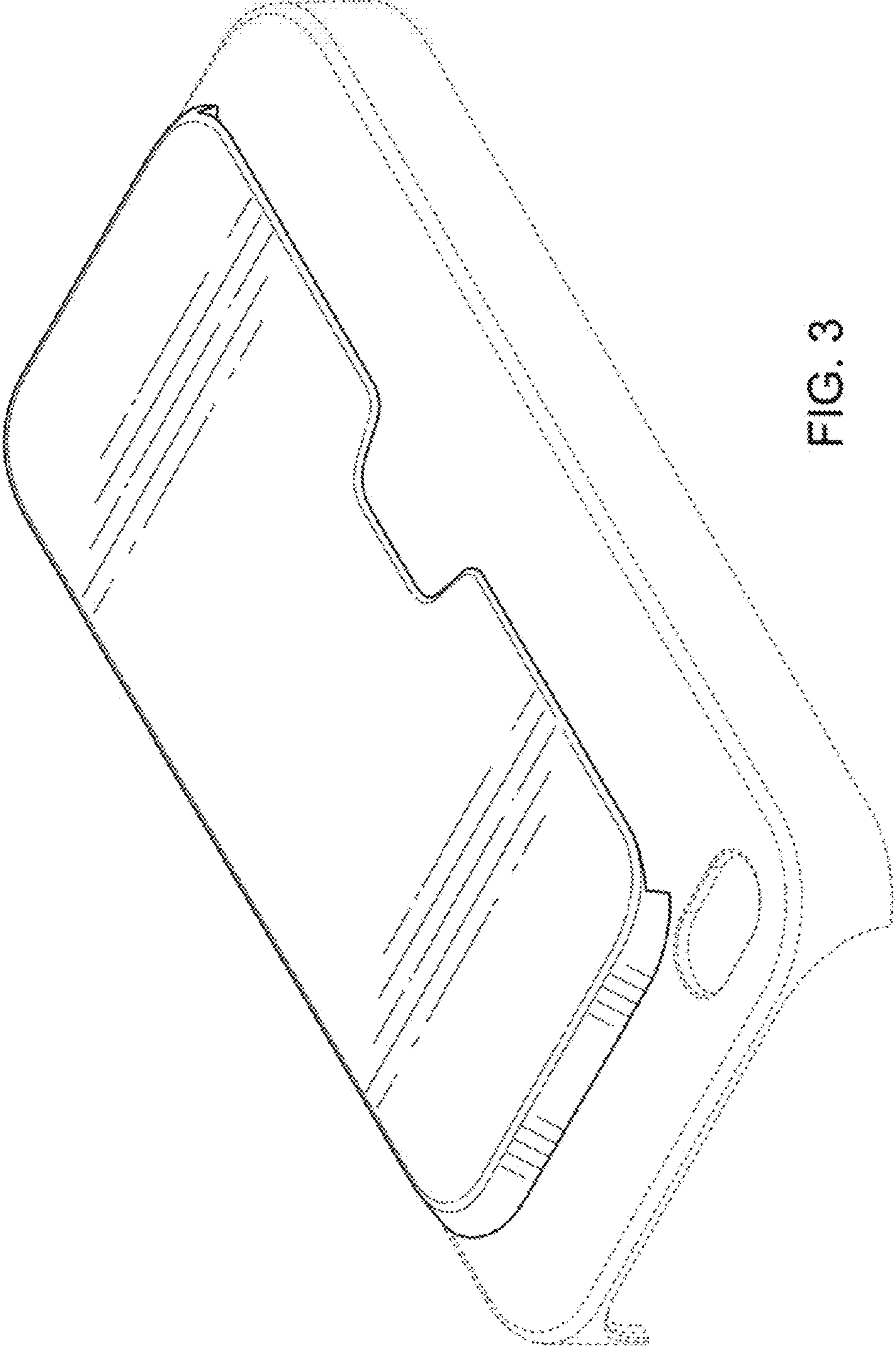


FIG. 3

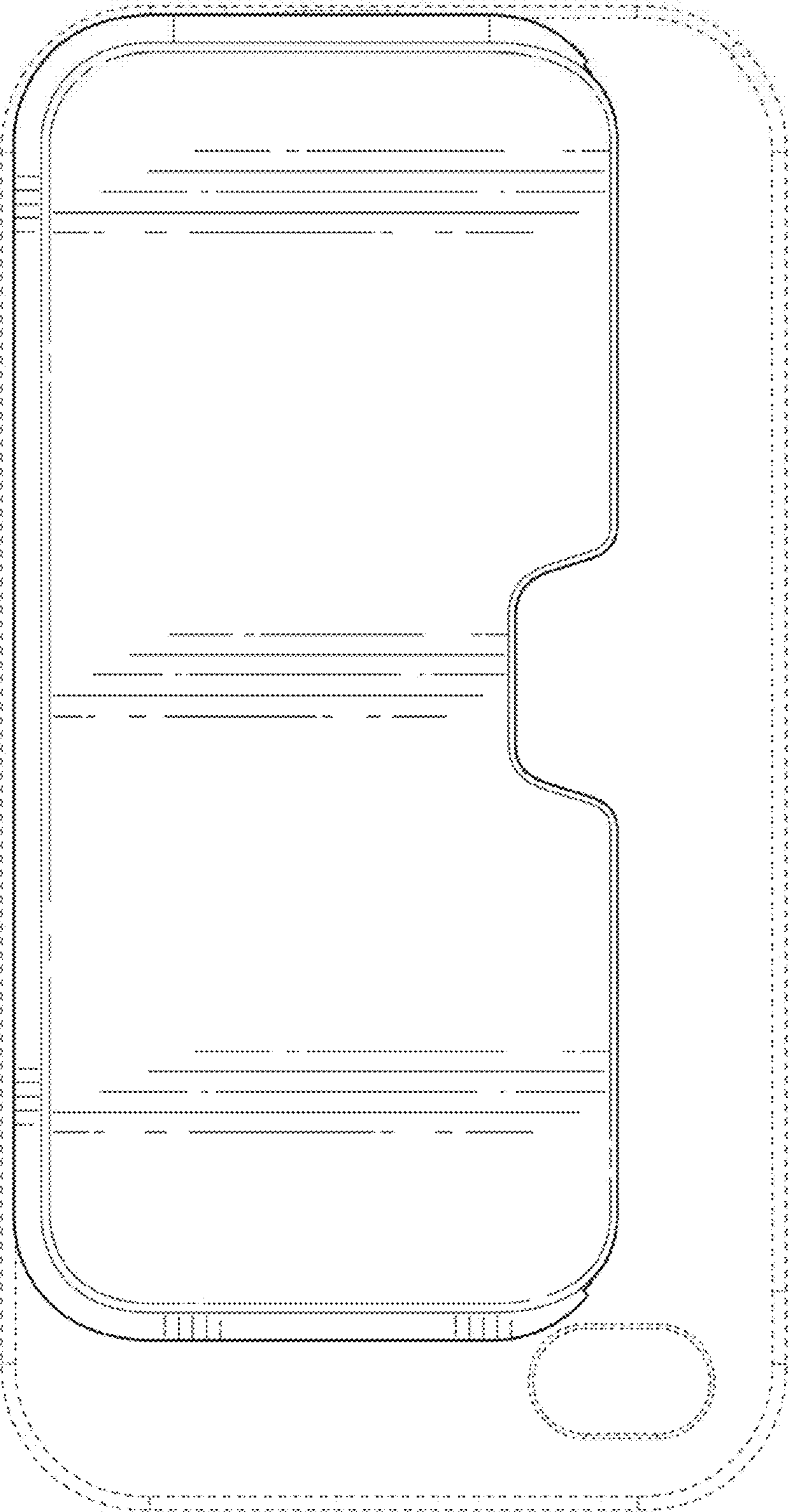


FIG. 4

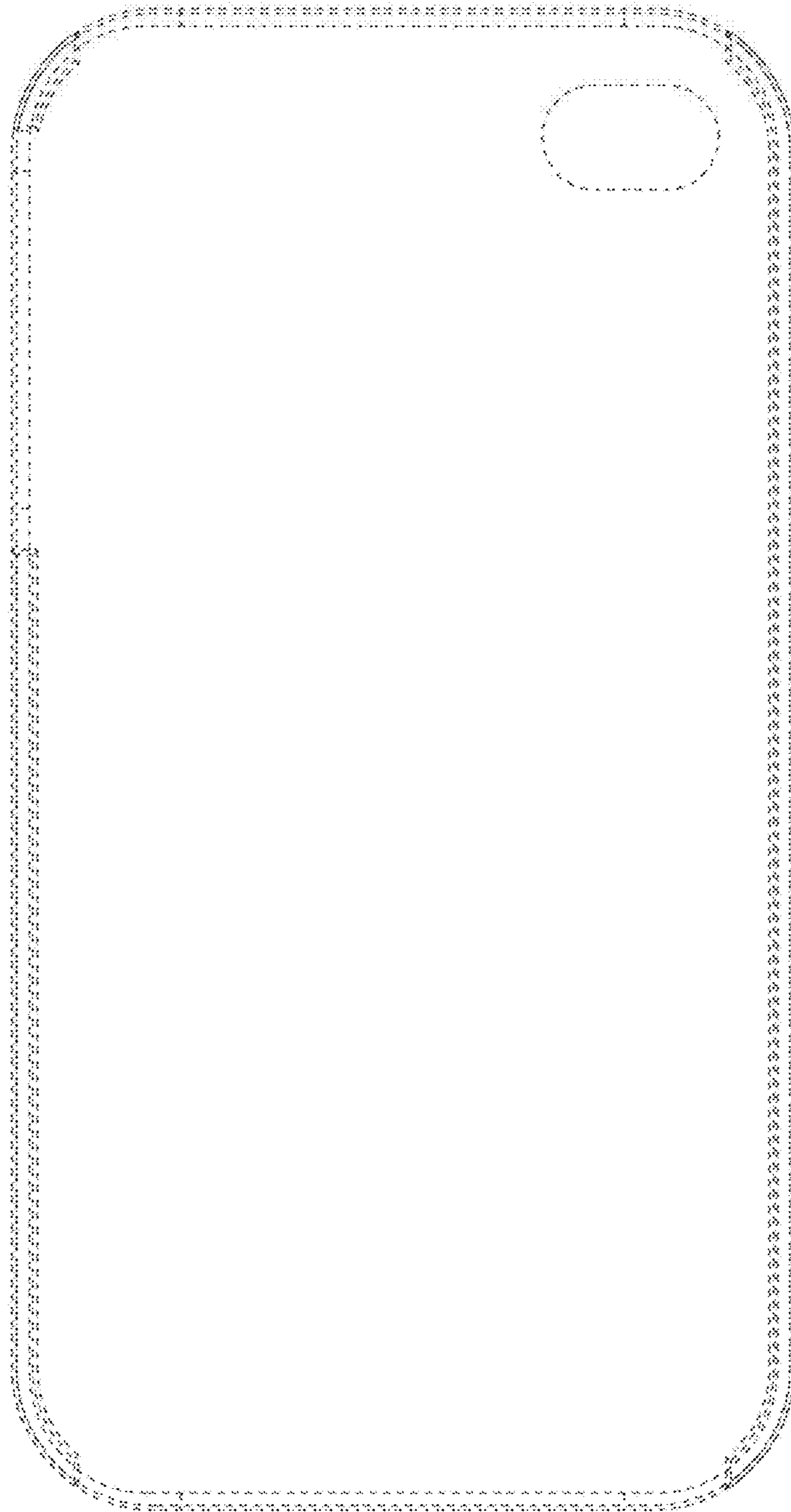


FIG. 5

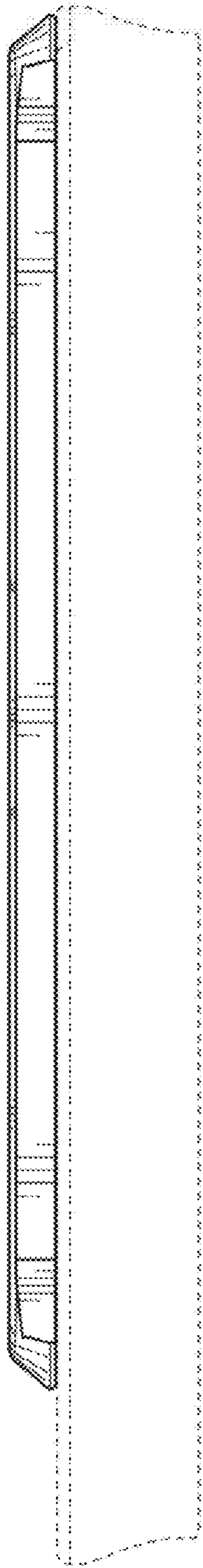


FIG. 6

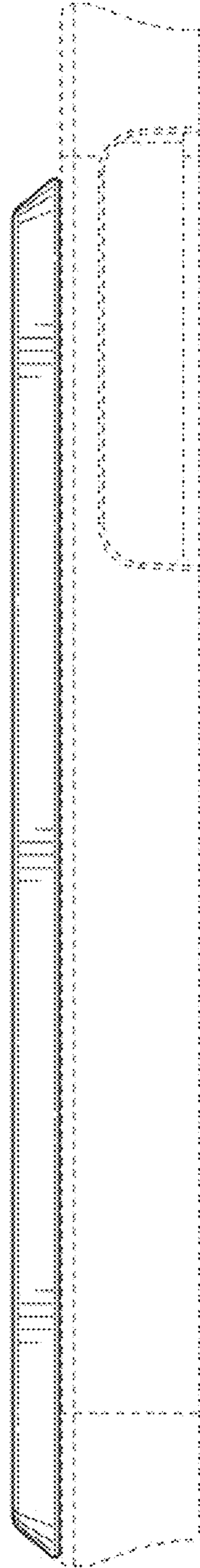


FIG. 7



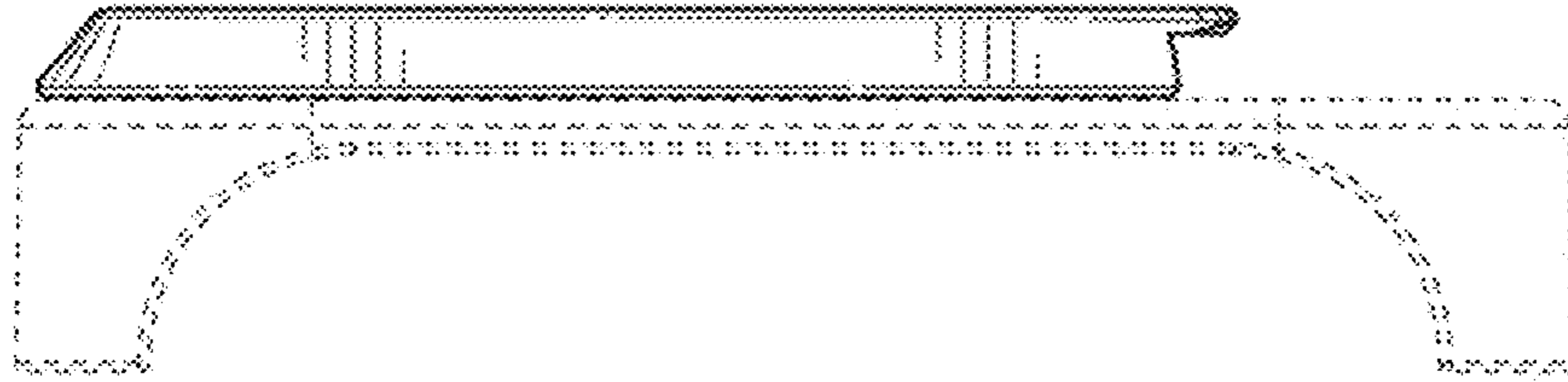


FIG. 8

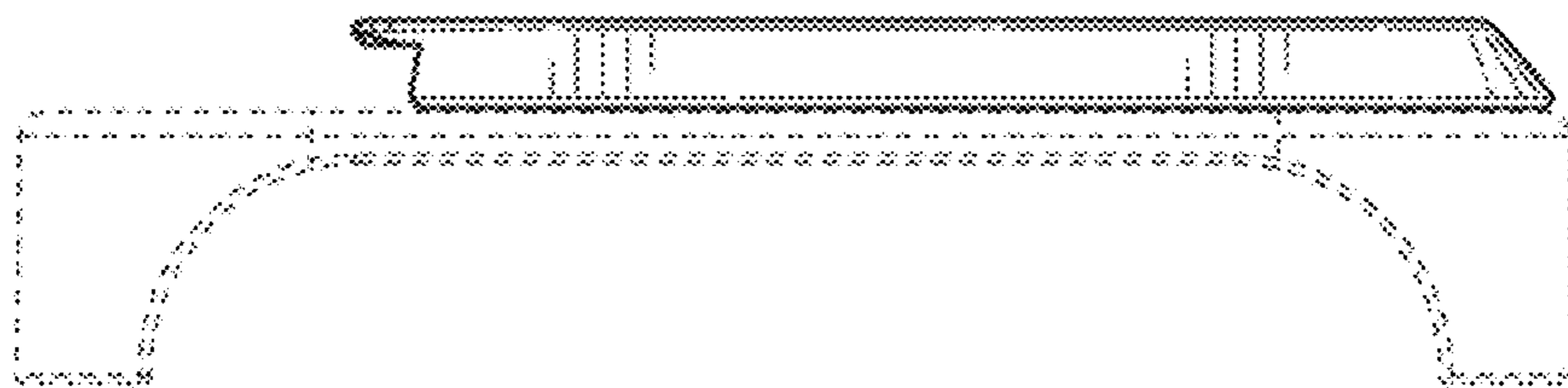


FIG. 9