



US00D726410S

(12) **United States Design Patent**
Fusi

(10) **Patent No.:** **US D726,410 S**
(45) **Date of Patent:** **** Apr. 14, 2015**

(54) **HANDBAG**

(71) Applicant: **Furla S.p.A.**, S. Lazzaro di Savena (IT)

(72) Inventor: **Fabio Fusi**, Tavarnelle Val di Pesa (IT)

(73) Assignee: **Furla S.p.A.**, S. Lazzaro di Savena (IT)

(**) Term: **14 Years**

(21) Appl. No.: **29/469,779**

(22) Filed: **Oct. 15, 2013**

(30) **Foreign Application Priority Data**

May 21, 2013 (EM) 002241018-0001

(51) **LOC (10) Cl.** **03-01**

(52) **U.S. Cl.**
USPC **D3/243**

(58) **Field of Classification Search**
CPC A45C 1/024; A45C 3/06
USPC D3/232-233, 240-243, 245-246;
150/100, 103-110, 113-114, 117-119

See application file for complete search history.

(56) **References Cited**

U.S. PATENT DOCUMENTS

D164,621 S *	9/1951	Bienen	D3/233
D679,494 S *	4/2013	Dolce et al.	D3/243
D679,496 S *	4/2013	Dolce et al.	D3/243
D686,820 S *	7/2013	Song	D3/243
D688,450 S *	8/2013	Philo	D3/243

* cited by examiner

Primary Examiner — Holly Baynham

(74) *Attorney, Agent, or Firm* — Pearne & Gordon LLP

(57) **CLAIM**

The ornamental design for a handbag, as shown and described.

DESCRIPTION

FIG. 1 is a front-left perspective view of a handbag, showing my new design;

FIG. 2 is a front elevational view thereof;

FIG. 3 is a right side elevational view thereof;

FIG. 4 is a left side elevational view thereof;

FIG. 5 is a top plan view thereof;

FIG. 6 is a bottom plan view thereof; and,

FIG. 7 is a back elevational view thereof.

The broken lines representing stitching are part of the claimed design.

1 Claim, 7 Drawing Sheets





FIG. 1

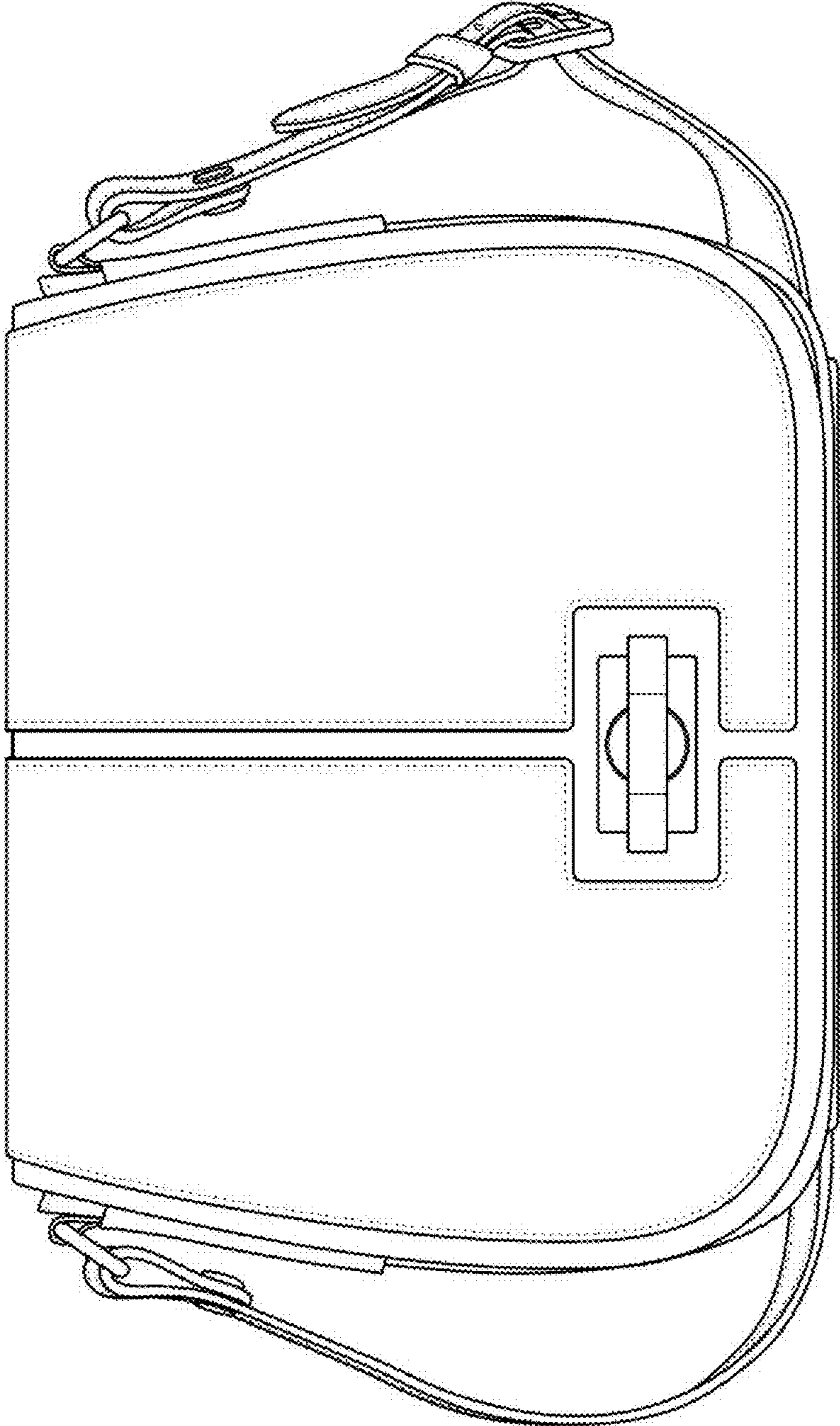


FIG. 2

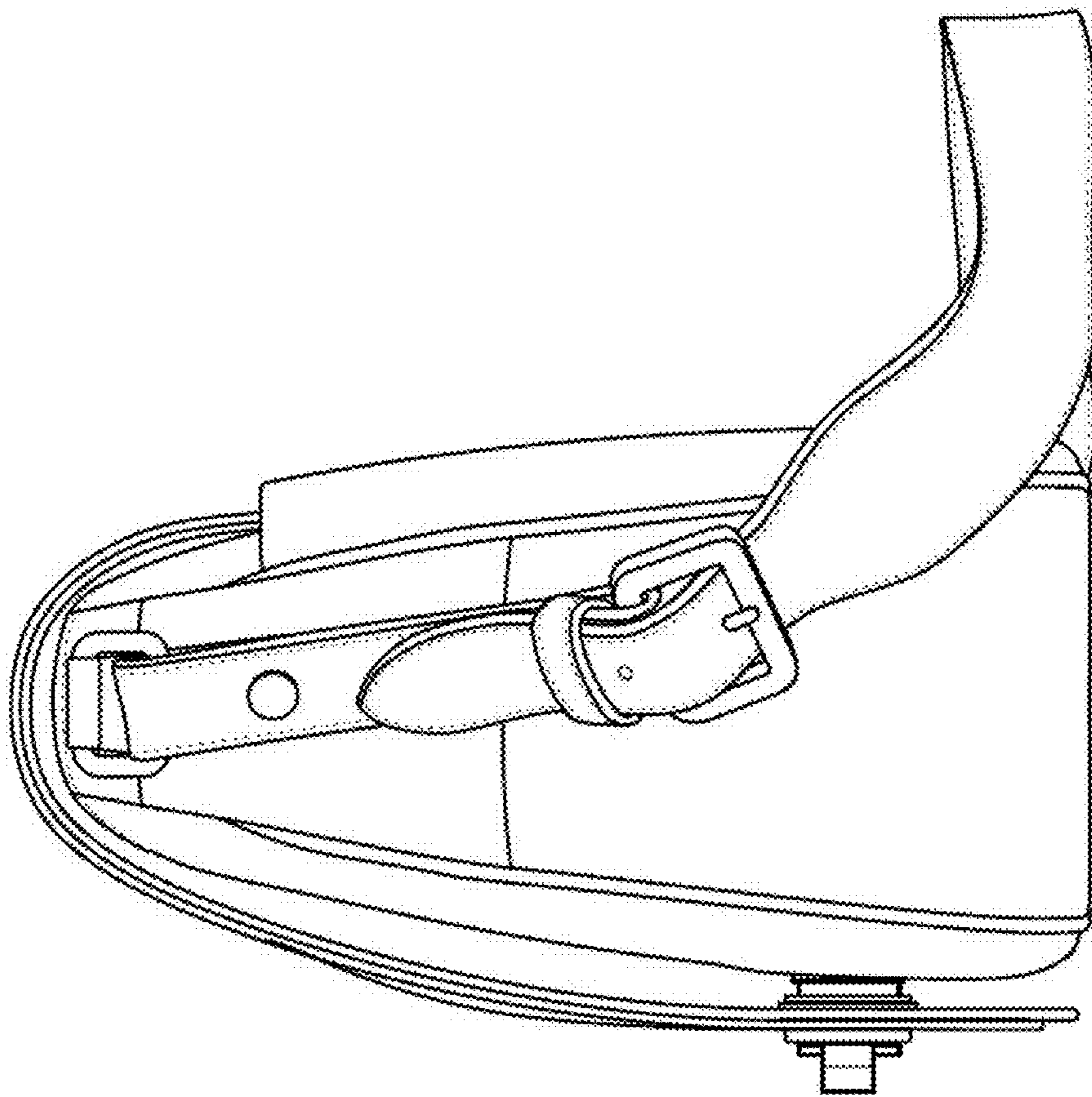


FIG. 3

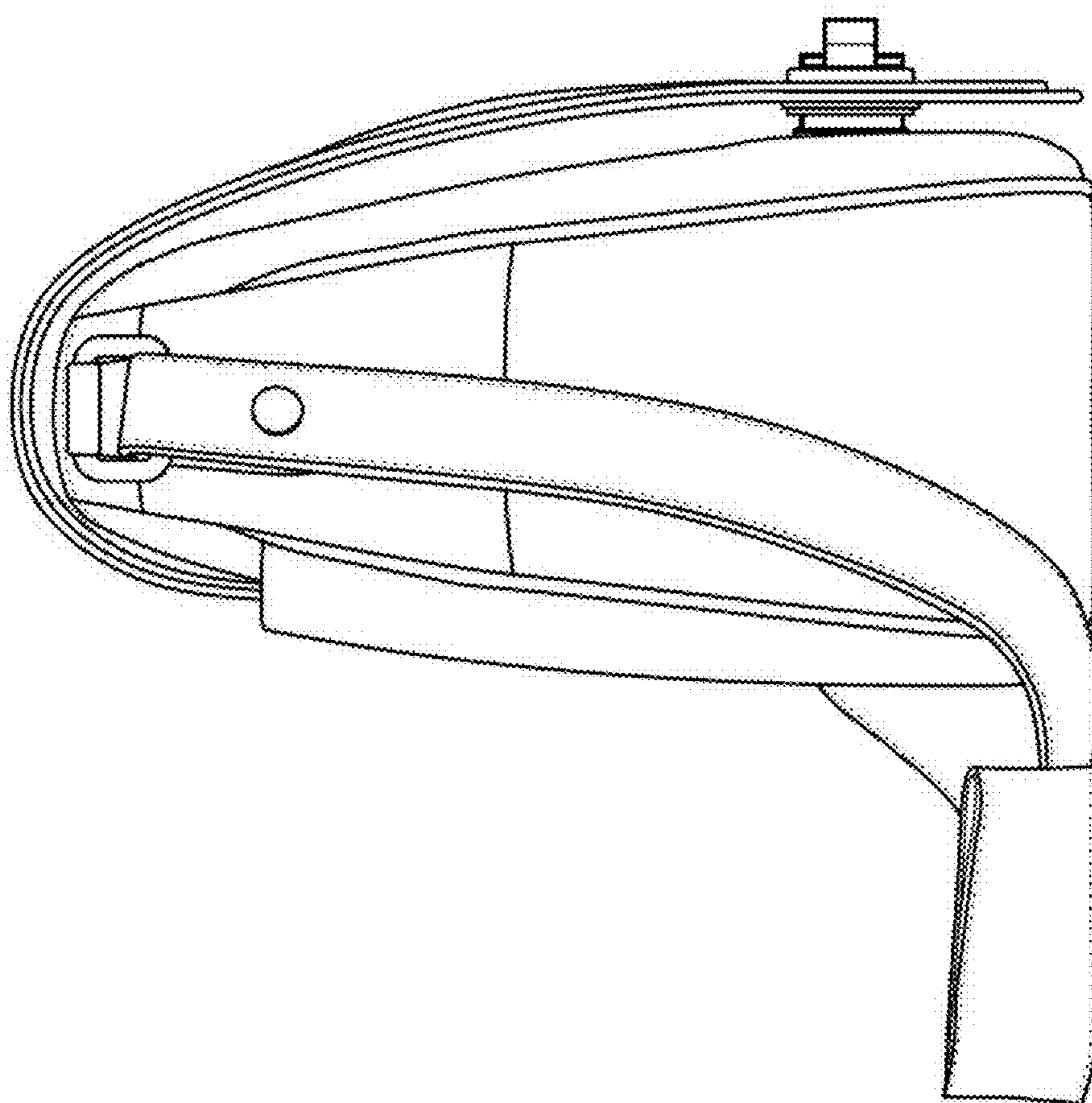


FIG. 4

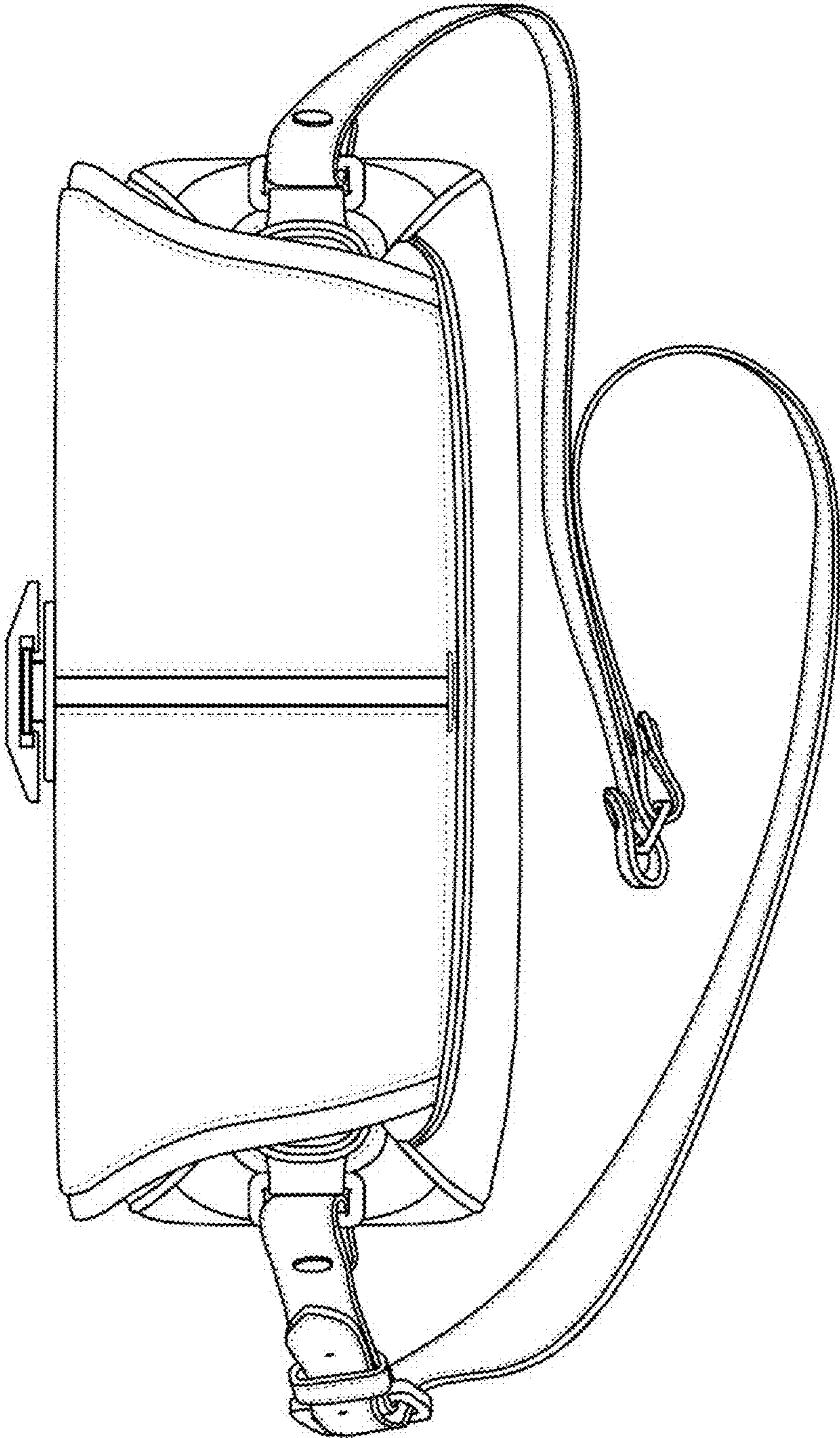


FIG. 5

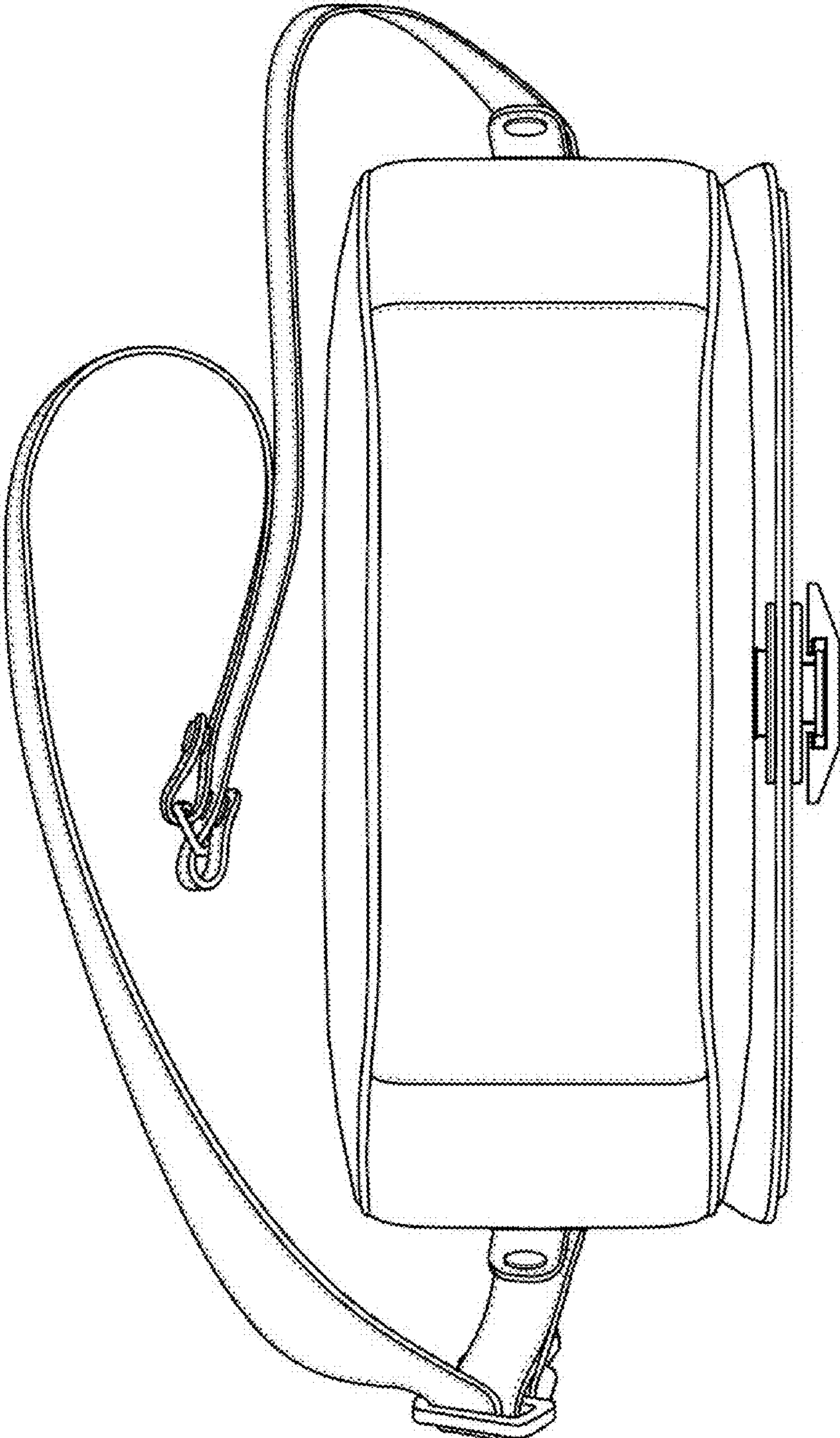


FIG. 6

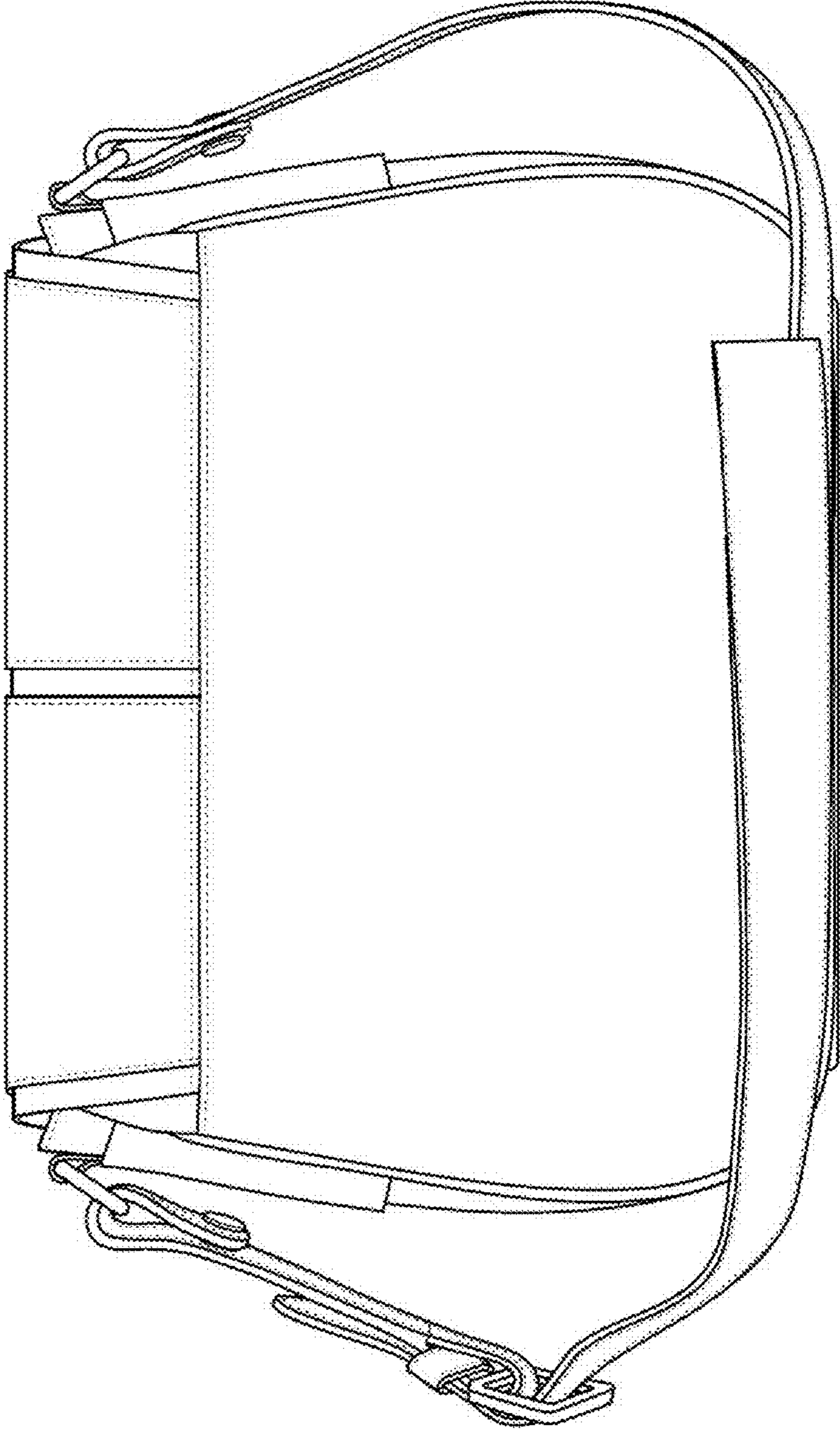


FIG. 7