



US00D726407S

(12) **United States Design Patent**
Kuster

(10) **Patent No.:** **US D726,407 S**
(45) **Date of Patent:** **** Apr. 14, 2015**

(54) **HANDBAG**

(71) Applicant: **Laurence Kuster**, London (GB)

(72) Inventor: **Laurence Kuster**, London (GB)

(73) Assignee: **J. Choo Limited**, London (GB)

(**) Term: **14 Years**

(21) Appl. No.: **29/466,812**

(22) Filed: **Sep. 11, 2013**

(30) **Foreign Application Priority Data**

Mar. 14, 2013 (EM) 002202747-0033

(51) **LOC (10) Cl.** **03-01**

(52) **U.S. Cl.**
USPC **D3/232**

(58) **Field of Classification Search**

CPC A45C 1/024; A45C 3/06

USPC D3/232-233, 240-243, 245-246, 318;
150/100, 103-110, 113-114, 117-119

See application file for complete search history.

(56) **References Cited**

U.S. PATENT DOCUMENTS

D560,909 S	2/2008	Gerbi	
D574,613 S *	8/2008	Gerbi	D3/246
D595,051 S *	6/2009	Namey	D3/232
D674,598 S *	1/2013	Gerbi	D3/232
D674,602 S *	1/2013	Gerbi	D3/245
D688,453 S *	8/2013	Della Valle et al.	D3/246
D697,713 S *	1/2014	Sassi	D3/246

OTHER PUBLICATIONS

U.S. Appl. No. 29/466,813, filed Sep. 11, 2013; First named inventor: Laurence Kuster et al.

U.S. Appl. No. 29/459,879, filed Jul. 3, 2013; First named inventor: Laurence Kuster et al.

U.S. Appl. No. 29/436,075, filed Oct. 31, 2012; First named inventor: Simon Holloway et al.

* cited by examiner

Primary Examiner — Holly Baynham

(74) *Attorney, Agent, or Firm* — Fross Zelnick Lehrman & Zissu, P.C.; Charles T. J. Weigell, Esq.; Lawrence E. Apolzon, Esq.

(57) **CLAIM**

The ornamental design for a handbag, as shown and described.

DESCRIPTION

FIG. 1 is a front perspective view of a handbag showing my new design;

FIG. 2 is a front view of the handbag shown in FIG. 1;

FIG. 3 is a rear view of the handbag shown in FIG. 1;

FIG. 4 is a left side of the handbag shown in FIG. 1;

FIG. 5 is a right side view of the handbag shown in FIG. 1;

FIG. 6 is a top view of the handbag shown in FIG. 1; and,

FIG. 7 is a bottom view of the handbag shown in FIG. 1.

The broken lines shown represent stitching and form part of the claimed design.

1 Claim, 7 Drawing Sheets





FIG. 1



FIG. 2



FIG. 3

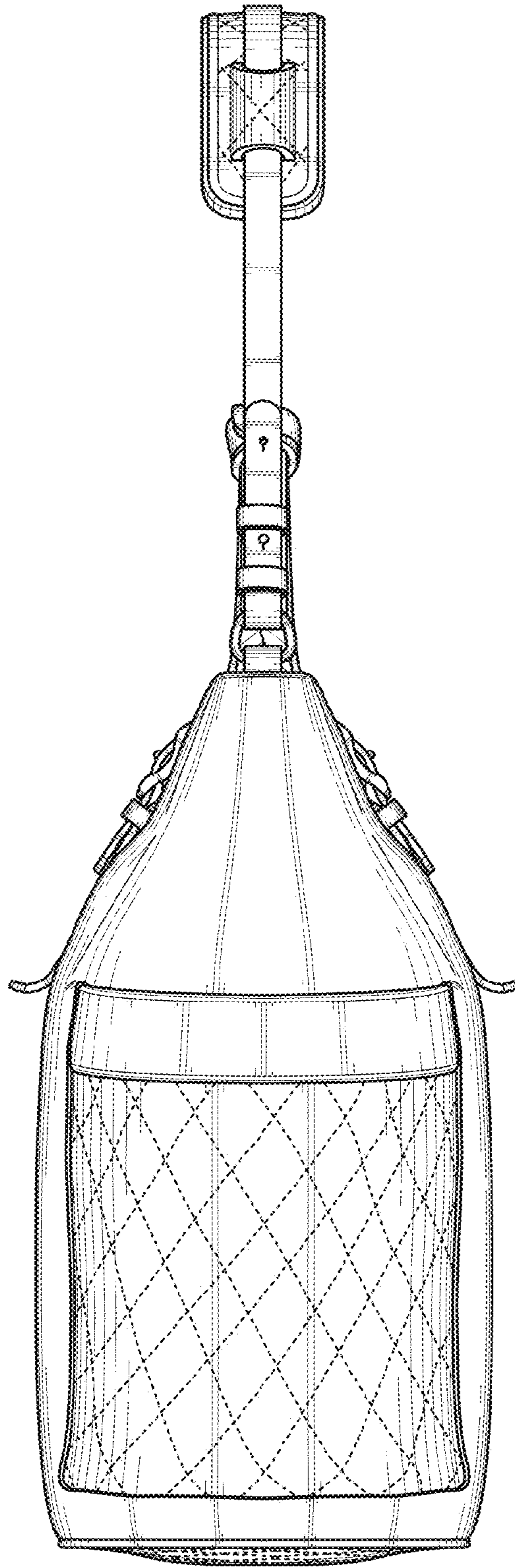


FIG. 4

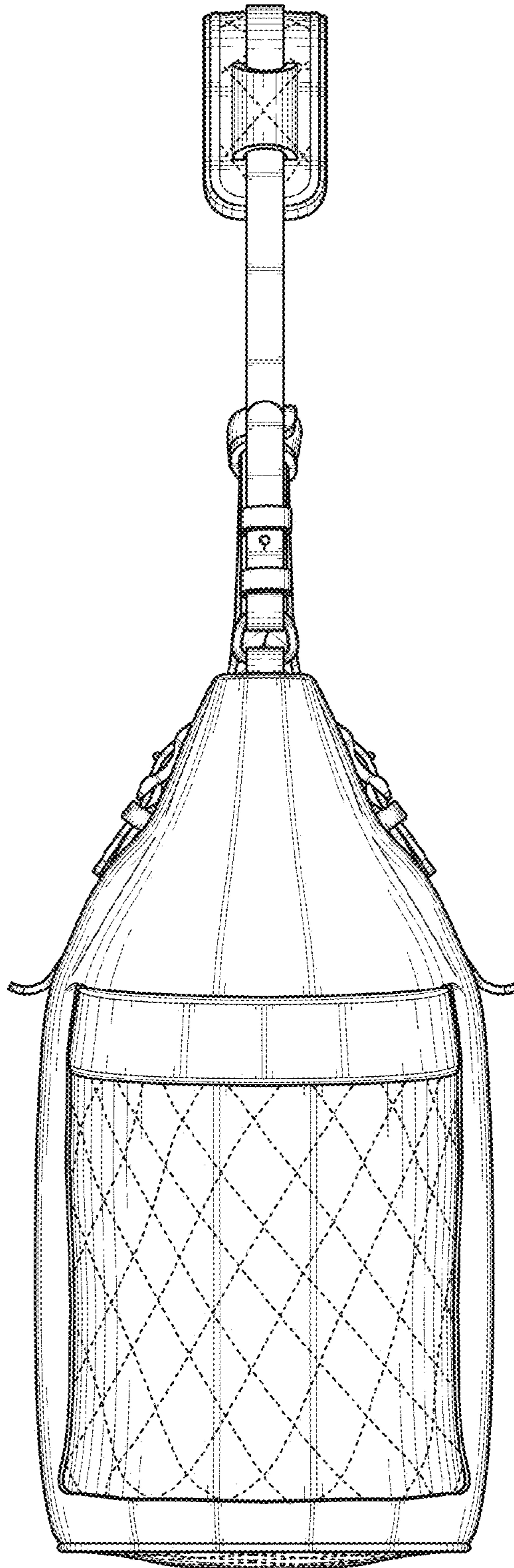


FIG. 5

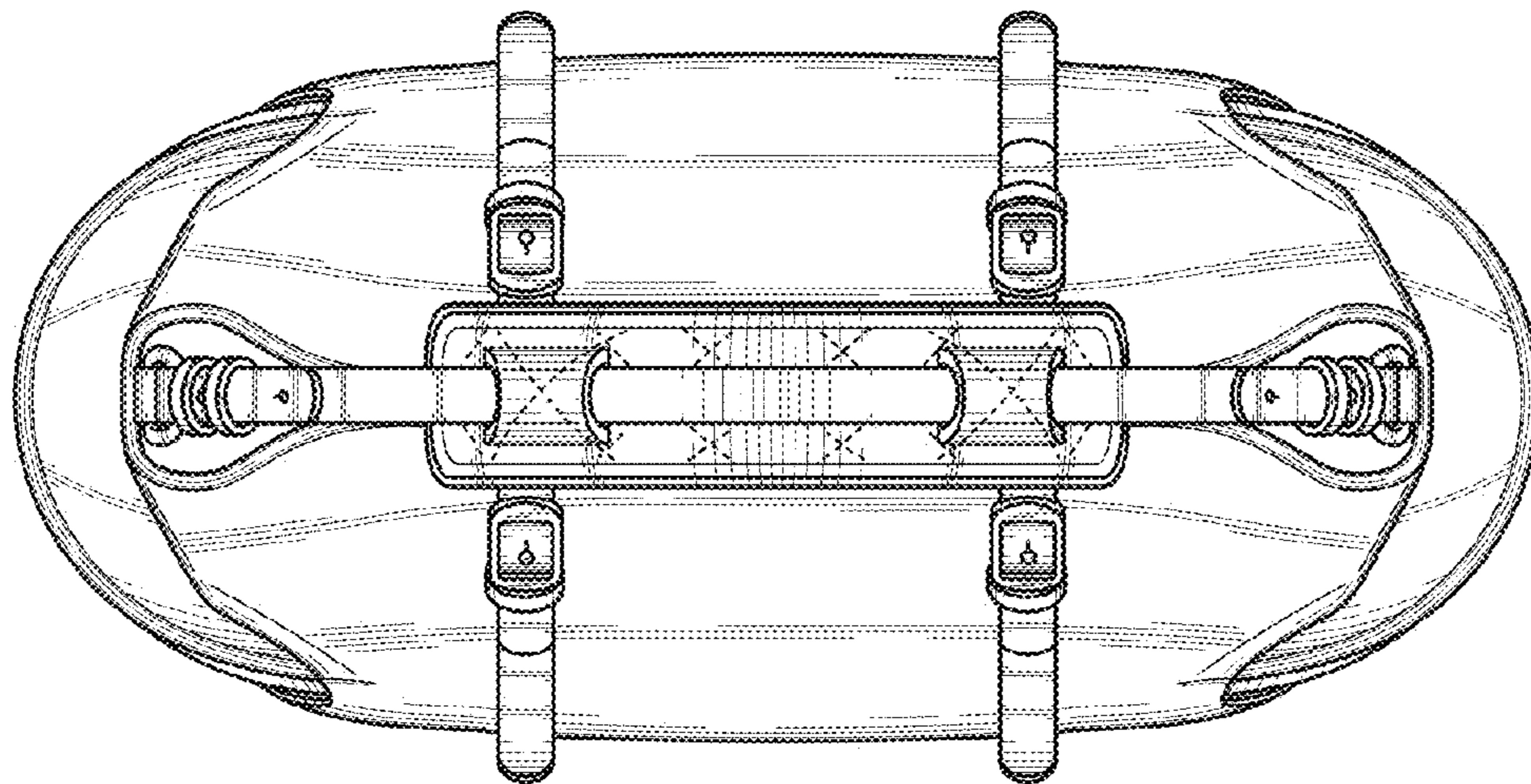


FIG. 6

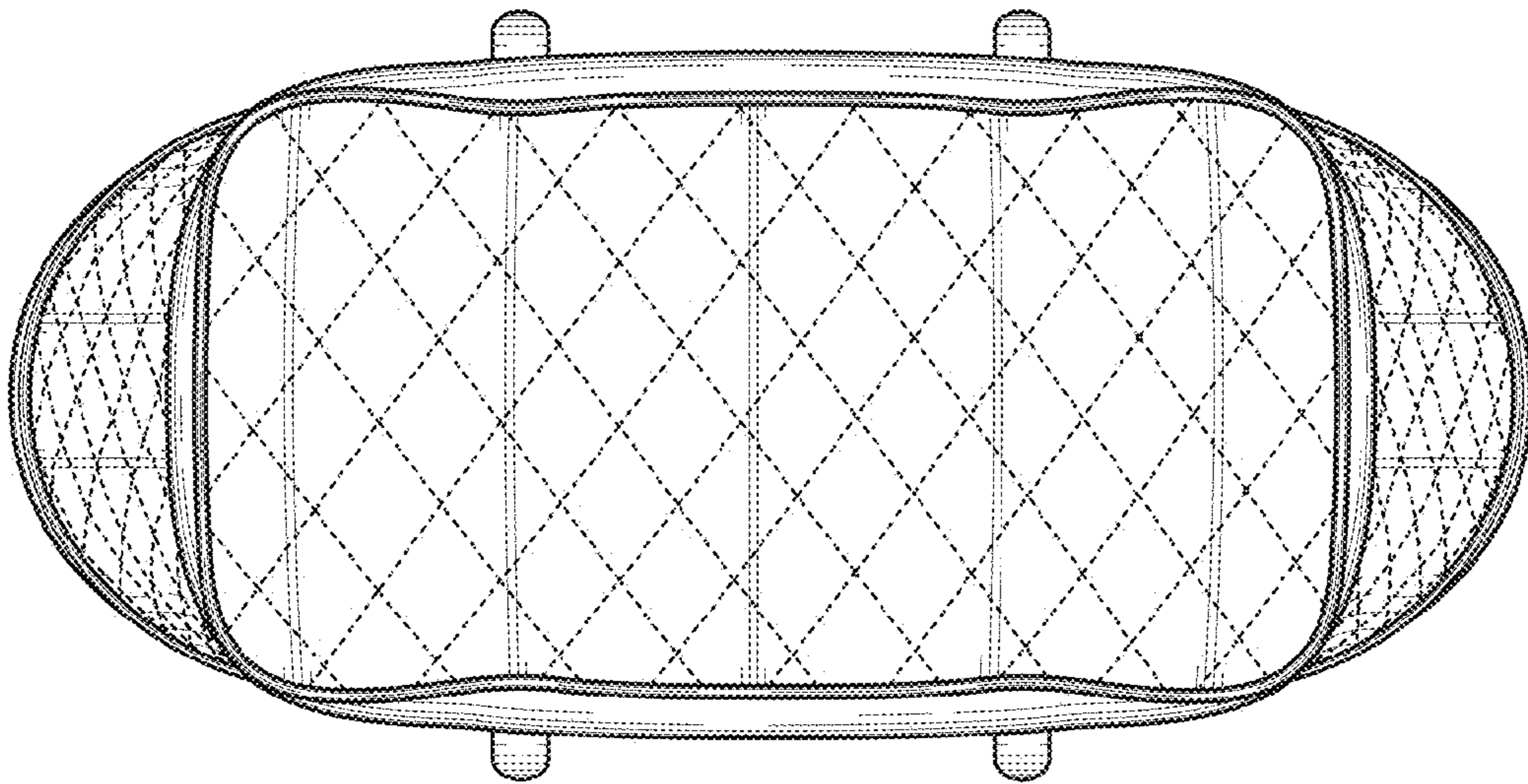


FIG. 7