



US00D726405S

(12) **United States Design Patent**  
**Nassanian et al.**

(10) **Patent No.:** **US D726,405 S**  
(45) **Date of Patent:** **\*\* Apr. 14, 2015**

(54) **MULTI-STATE CONFIGURABLE BAG**

(71) Applicant: **NIKE, Inc.**, Beaverton, OR (US)

(72) Inventors: **Hrag Nassanian**, Beaverton, OR (US);  
**David Sagan**, Lake Oswego, OR (US)

(73) Assignee: **NIKE, Inc.**, Beaverton, OR (US)

(\*\*) Term: **14 Years**

(21) Appl. No.: **29/499,714**

(22) Filed: **Aug. 18, 2014**

(51) **LOC (10) Cl.** ..... **03-01**

(52) **U.S. Cl.**

USPC ..... **D3/216; D3/217**

(58) **Field of Classification Search**

CPC ..... A45F 3/04; A45F 3/042; A45F 2003/045;  
A45F 3/047; A45F 3/08; A45F 3/10; A45F  
3/14; A45F 4/02; A45F 4/08; A45C 13/08;  
A45C 13/083; A45C 13/1023; A45C 13/103  
USPC ..... D3/201, 213–218, 231, 232, 233, 267,  
D3/273, 289, 290, 318, 327, 226, 271.1,  
D3/282, 256; 224/153, 155, 156, 191, 575,  
224/576, 578, 581, 586, 613, 617, 627, 630,  
224/644, 645, 650, 652, 653, 657; 441/80,  
441/88; 5/413 R; 190/1, 102, 103, 104, 107,  
190/108, 111, 114; 206/315.11; 383/6, 37

See application file for complete search history.

(56) **References Cited**

**U.S. PATENT DOCUMENTS**

D139,891 S \* 1/1945 Phelps ..... D3/226  
D147,825 S \* 11/1947 Wemyss ..... D3/282  
5,154,332 A \* 10/1992 Williams et al. .... 224/153  
D339,225 S 9/1993 Zel  
5,407,112 A \* 4/1995 Christodoulou et al. .... 224/153  
D369,021 S 4/1996 Kliot  
D376,686 S \* 12/1996 Daboudet ..... D3/217  
5,588,569 A 12/1996 Mitomi et al.

D380,294 S 7/1997 Kliot  
5,651,486 A \* 7/1997 Kliot ..... 224/653  
D398,776 S \* 9/1998 Fawcett ..... D3/216  
5,803,333 A \* 9/1998 Fawcett ..... 224/652  
D403,854 S \* 1/1999 Marcusson ..... D3/217  
D404,563 S \* 1/1999 Rausch ..... D3/216

(Continued)

*Primary Examiner* — Martie K Holtje

(74) *Attorney, Agent, or Firm* — Banner & Witcoff, Ltd.

(57) **CLAIM**

The ornamental design for a multi-state configurable bag, as shown and described.

**DESCRIPTION**

FIG. 1 is a perspective view of a multi-state configurable bag in a first configuration showing our new design;

FIG. 2 is a front view thereof;

FIG. 3 is a rear view thereof;

FIG. 4 is a right side view thereof;

FIG. 5 is a left side view thereof;

FIG. 6 is a top view thereof;

FIG. 7 is a perspective view of the multi-state configurable bag in a second configuration;

FIG. 8 is a front view thereof;

FIG. 9 is a rear view thereof;

FIG. 10 is a right side view thereof;

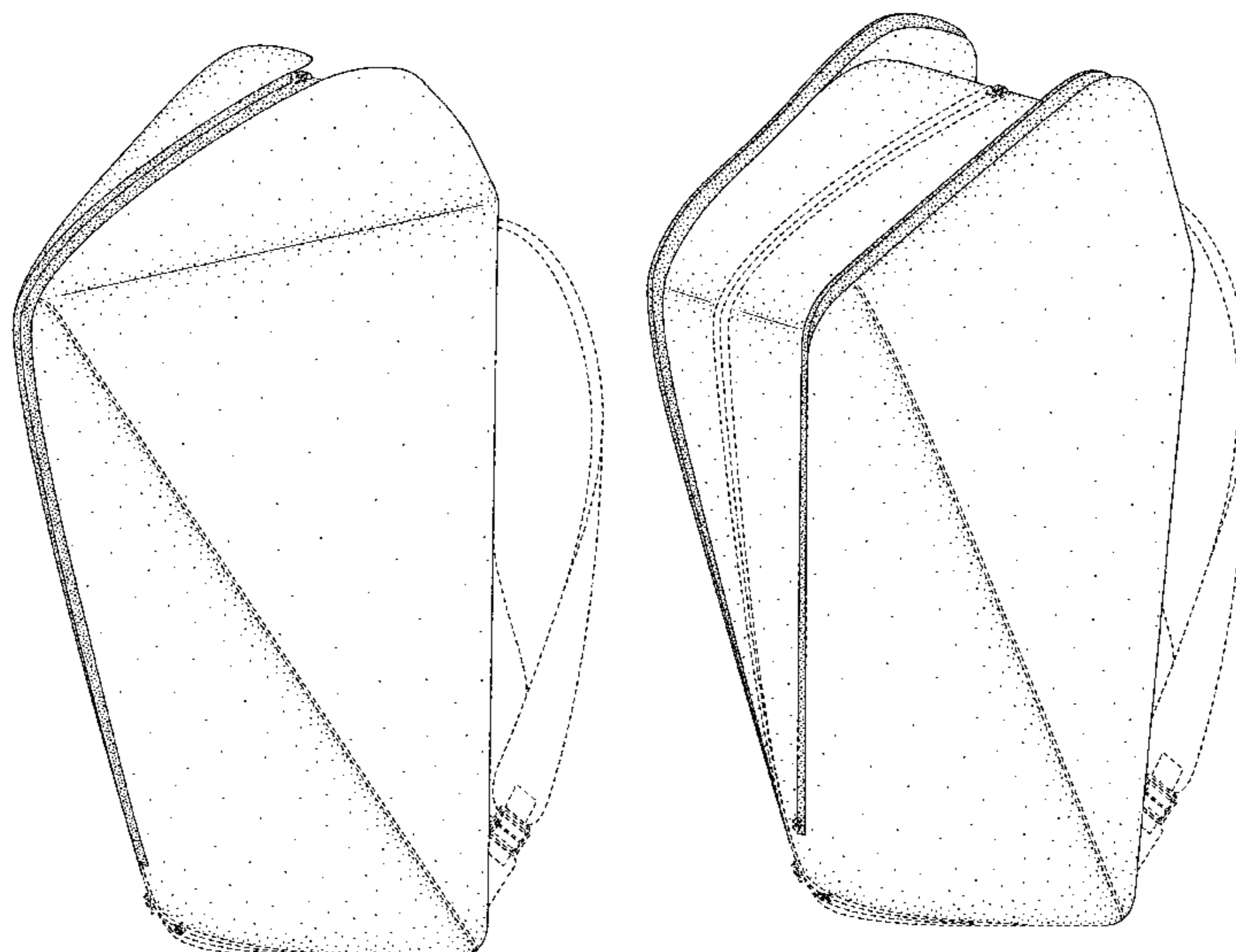
FIG. 11 is a left side view thereof; and,

FIG. 12 is a top view thereof.

The broken lines immediately adjacent to the shaded area represent unclaimed boundaries of the design. The unshaded regions form no part of the claimed design. The broken lines showing the remainder of the bag are for environmental purposes only and form no part of the claimed design.

The structural features depicted by broken lines have been shown for the purpose of illustrating portions of the multi-state configurable bag that form no part of the claimed design. It is understood that the unshaded regions form not part of the claimed design.

**1 Claim, 12 Drawing Sheets**



(56)

References Cited

U.S. PATENT DOCUMENTS

5,881,708	A	3/1999	Kliot				
D408,993	S	5/1999	Kliot				
6,053,382	A *	4/2000	Wyant .....	224/153			
D425,698	S *	5/2000	Paul et al. ....	D3/217			
6,138,881	A *	10/2000	Paul et al. ....	224/153			
D437,110	S	2/2001	Ivarson et al.				
6,474,524	B1	11/2002	Ivarson et al.				
D481,203	S *	10/2003	Vazquez .....	D3/232			
6,637,633	B1	10/2003	Eberle				
D504,015	S *	4/2005	Delafontaine .....	D3/233			
D504,227	S	4/2005	Delafontaine				
D507,698	S	7/2005	Hooper				
D536,523	S	2/2007	Guyon				
D551,451	S *	9/2007	Nathanson .....	D3/271.1			
D553,350	S	10/2007	Dvorak				
D570,105	S *	6/2008	Guyon et al. ....	D3/233			
7,422,131	B2	9/2008	Cohen				
7,434,683	B1 *	10/2008	Harper et al. ....	206/315.11			
D581,660	S	12/2008	Gonzalez				
7,500,547	B2	3/2009	Bettua et al.				
7,598,916	B2	10/2009	Inbal et al.				
D653,852	S *	2/2012	Ryan et al. ....	D3/256			
D653,853	S *	2/2012	Ryan et al. ....	D3/256			
8,152,374	B2 *	4/2012	Shaul .....	383/37			
D660,584	S	5/2012	Cross				
D685,576	S	7/2013	Gould et al.				
D708,845	S	7/2014	Taylor				
D709,689	S *	7/2014	Brunazzi et al. ....	D3/217			
D713,139	S	9/2014	Ford				
D714,046	S	9/2014	Sagan				
2005/0205635	A1 *	9/2005	Cohen .....	224/652			
2006/0102673	A1	5/2006	Collier				
2008/0279483	A1 *	11/2008	Yu .....	383/6			
2008/0314948	A1	12/2008	Cohen				
2011/0097021	A1	4/2011	Curran et al.				
2011/0186611	A1	8/2011	Eberle				
2013/0043292	A1	2/2013	White et al.				
2013/0248573	A1	9/2013	Kim et al.				

\* cited by examiner

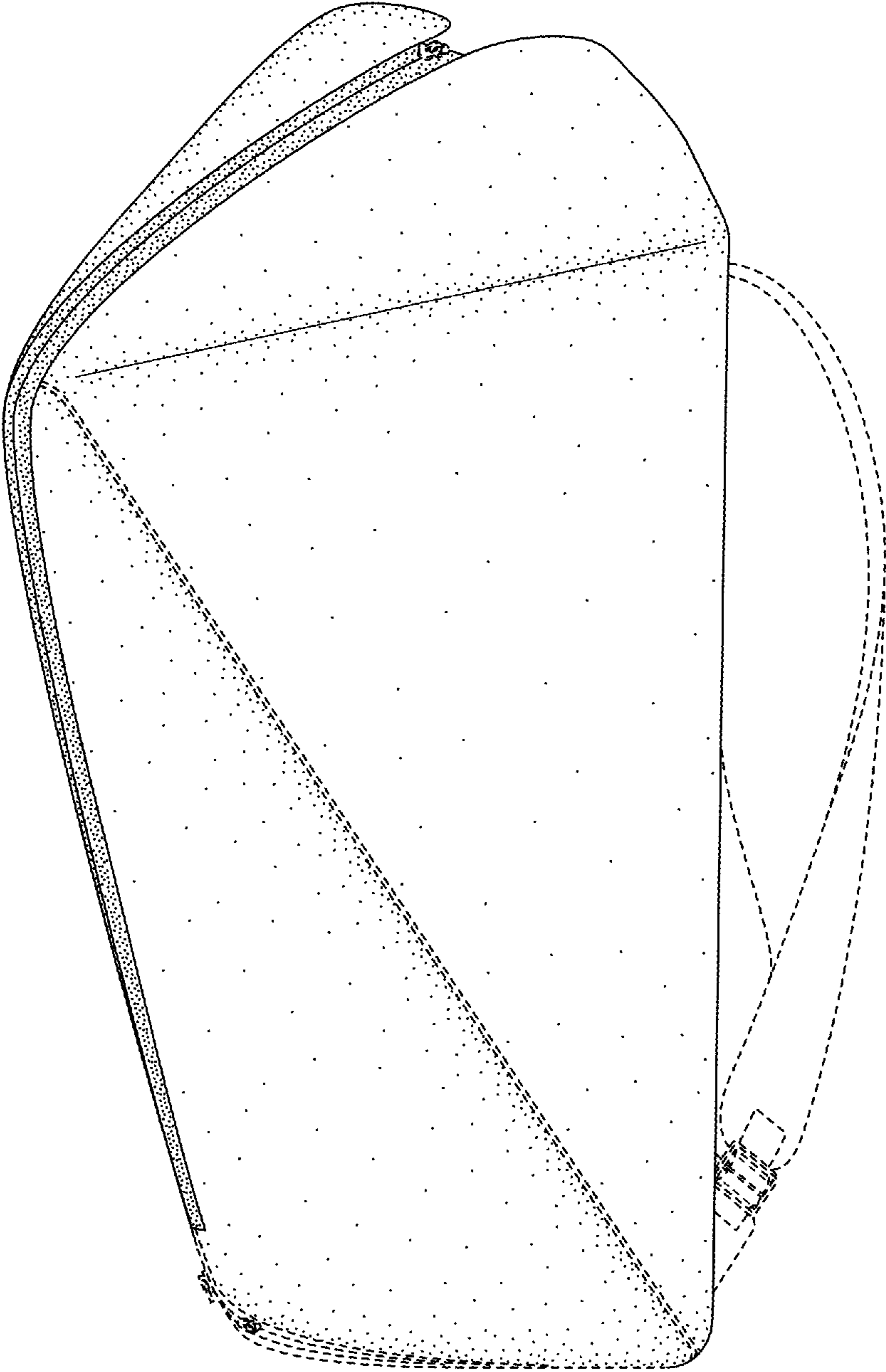


FIG. 1

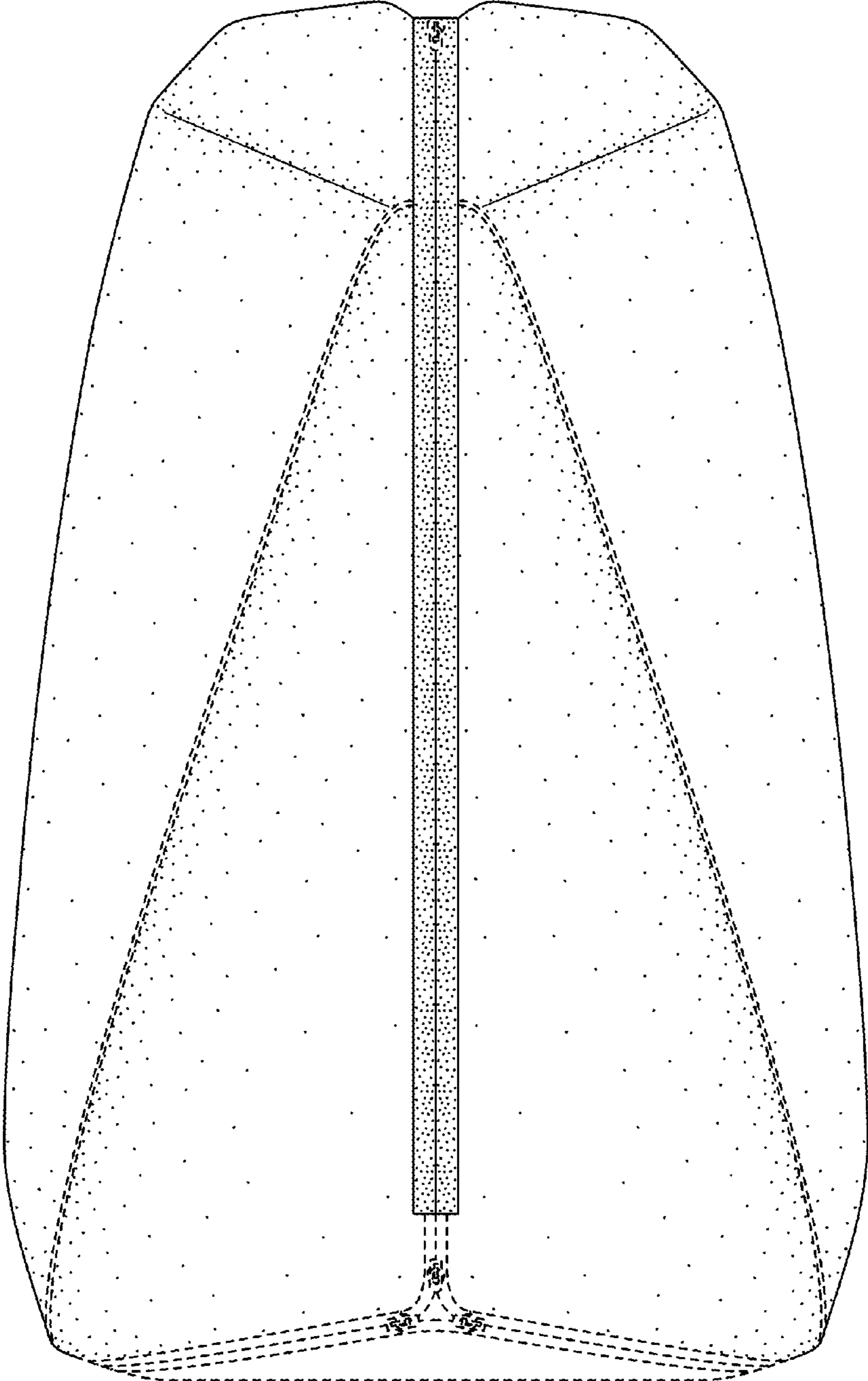


FIG. 2

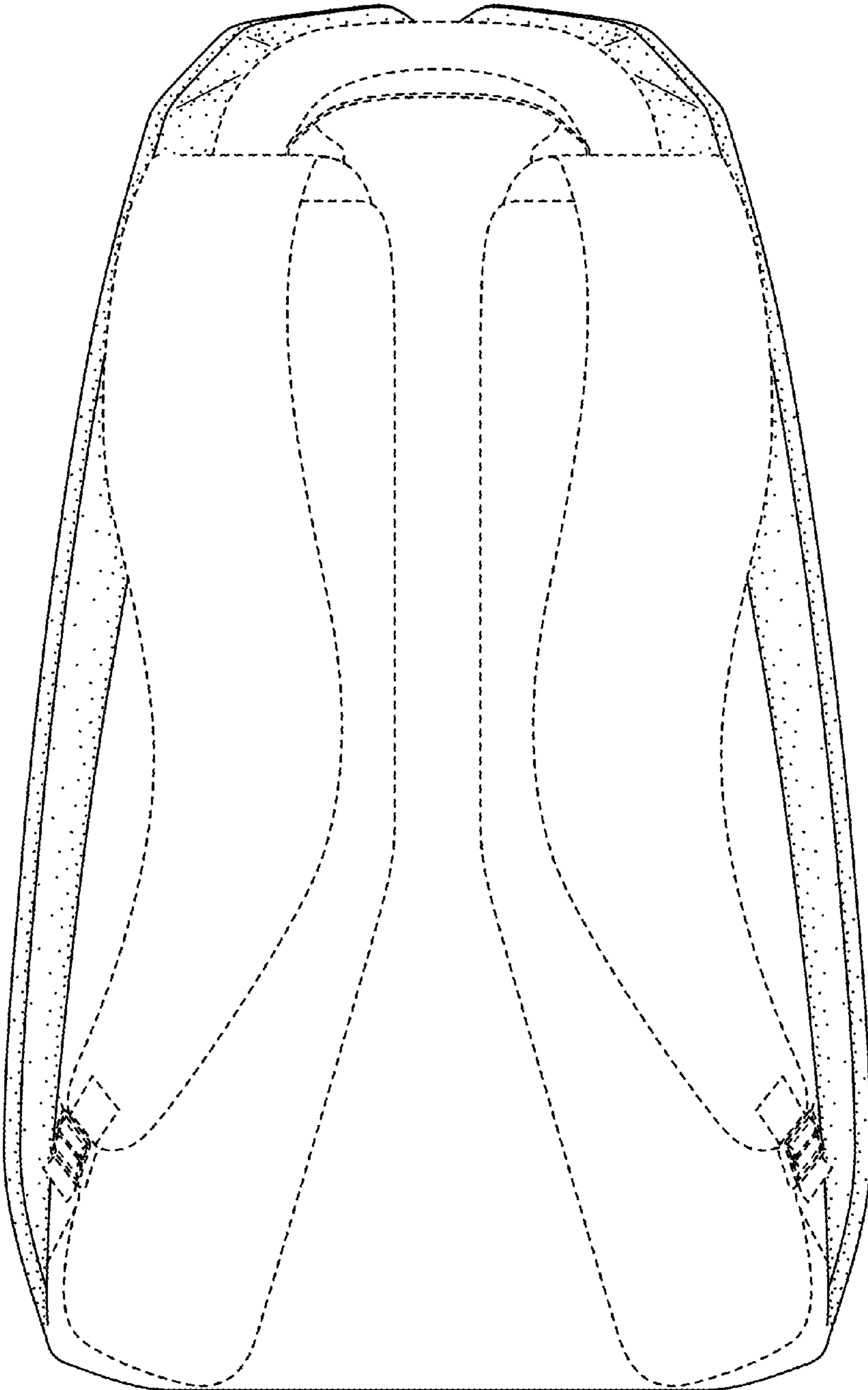


FIG. 3

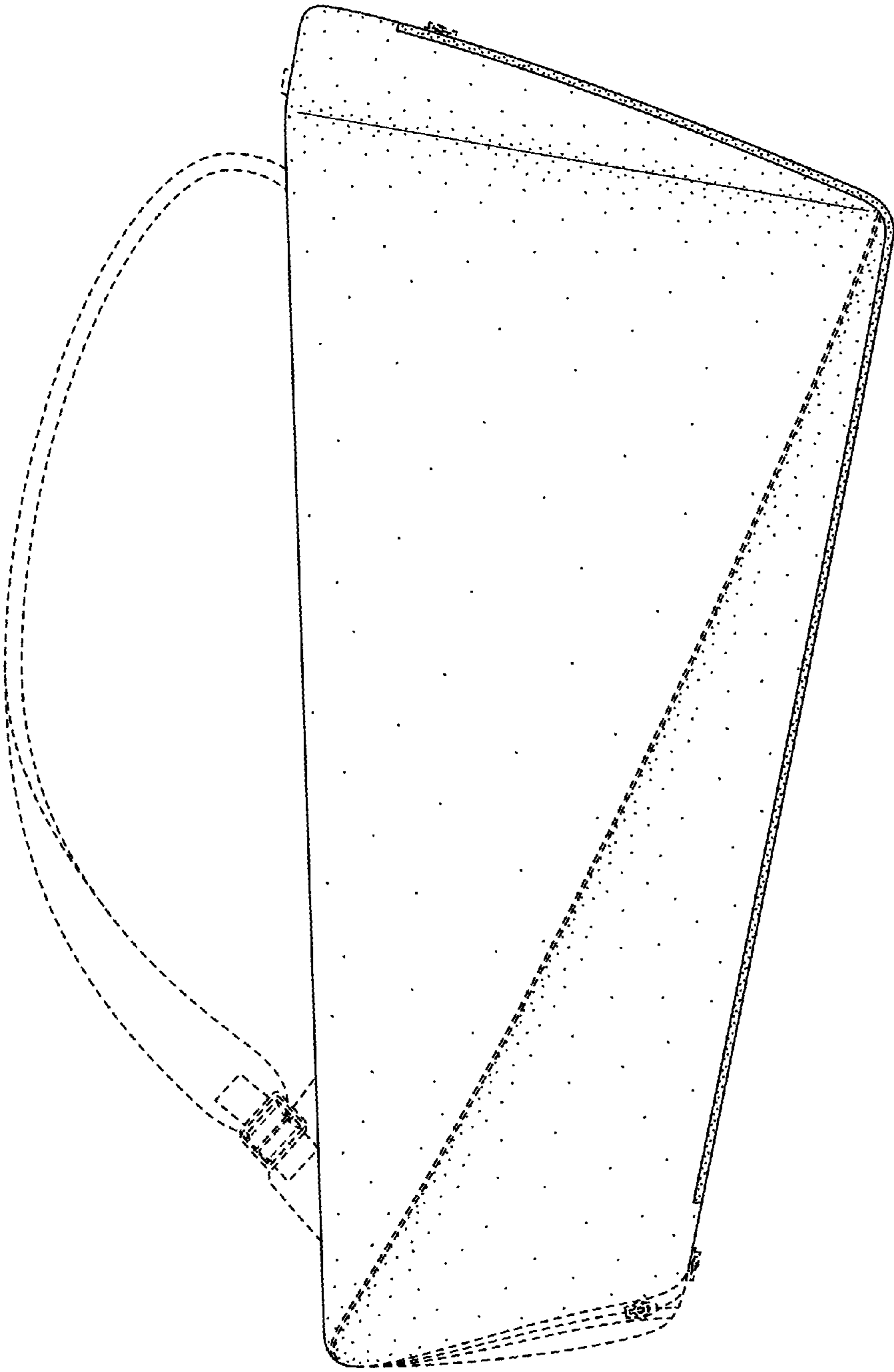


FIG. 4

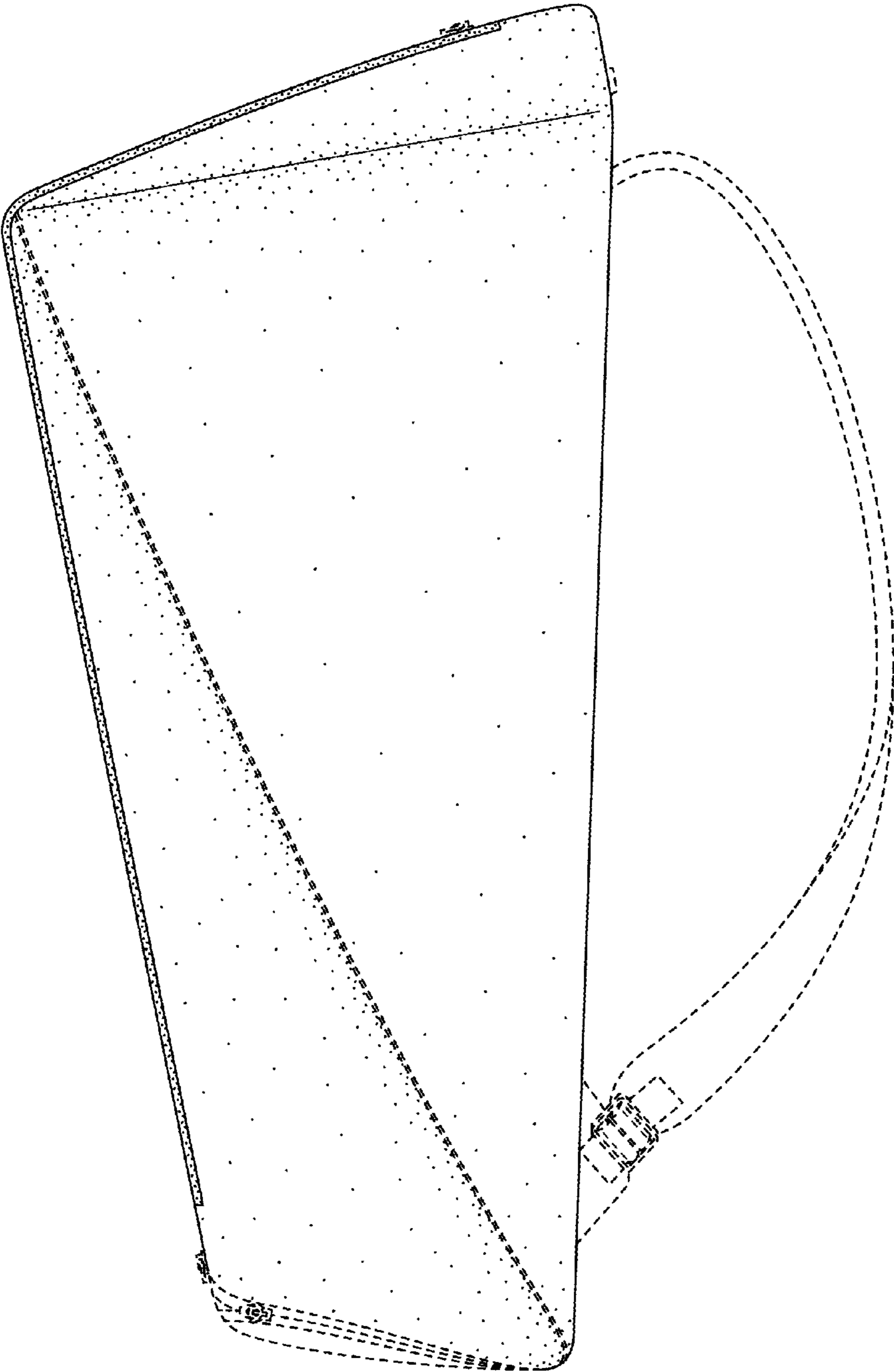


FIG. 5

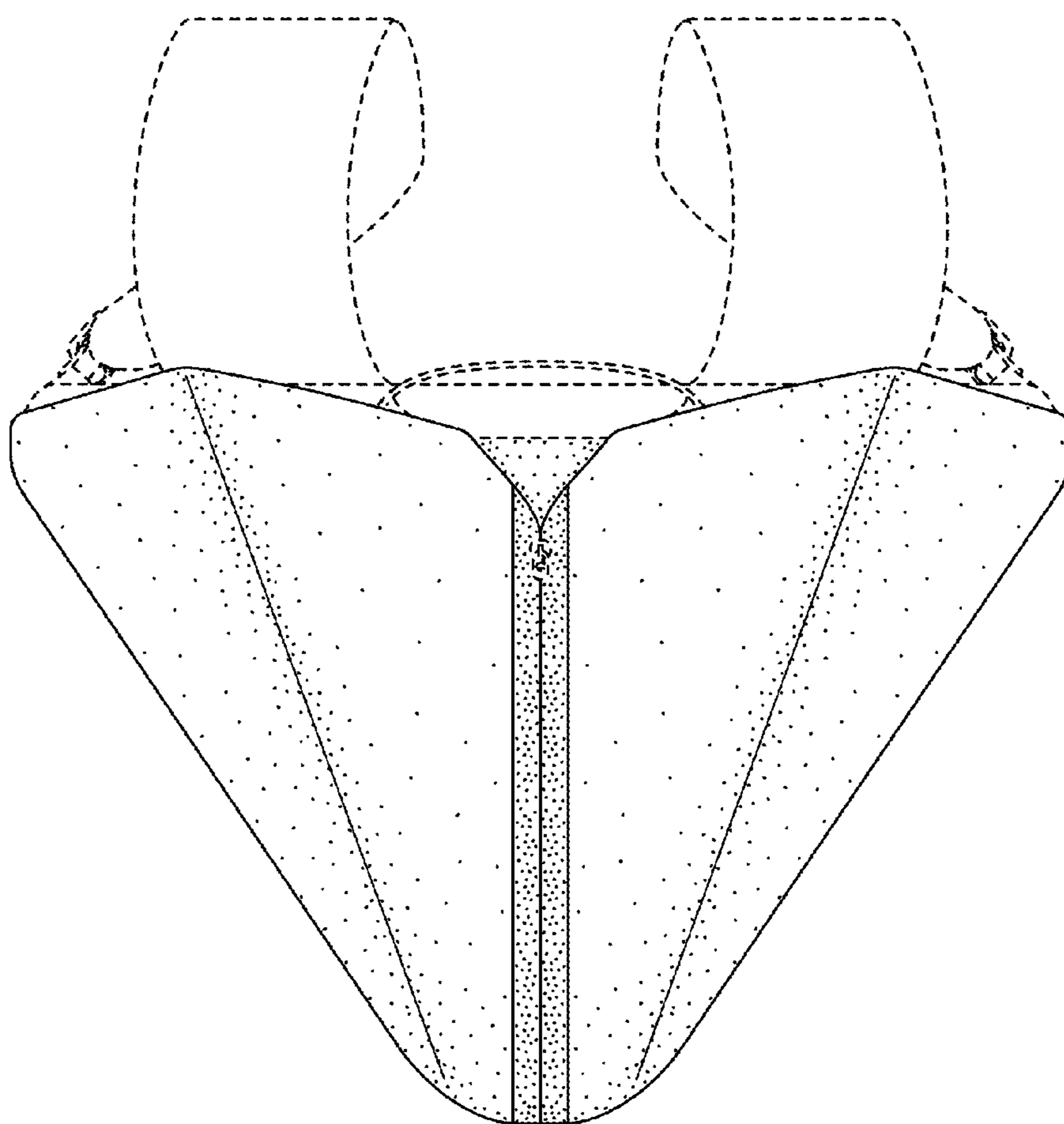


FIG. 6



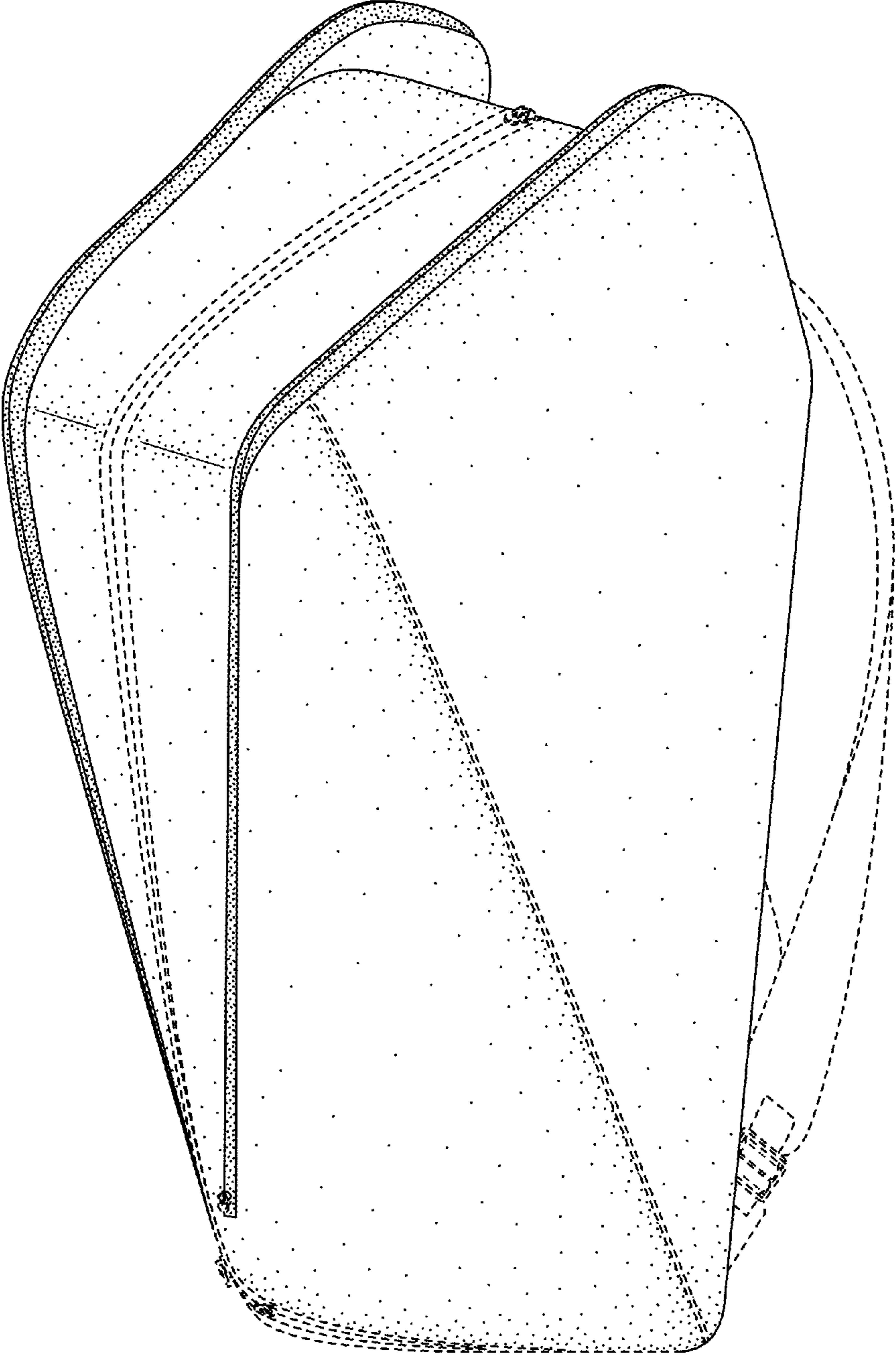


FIG. 7

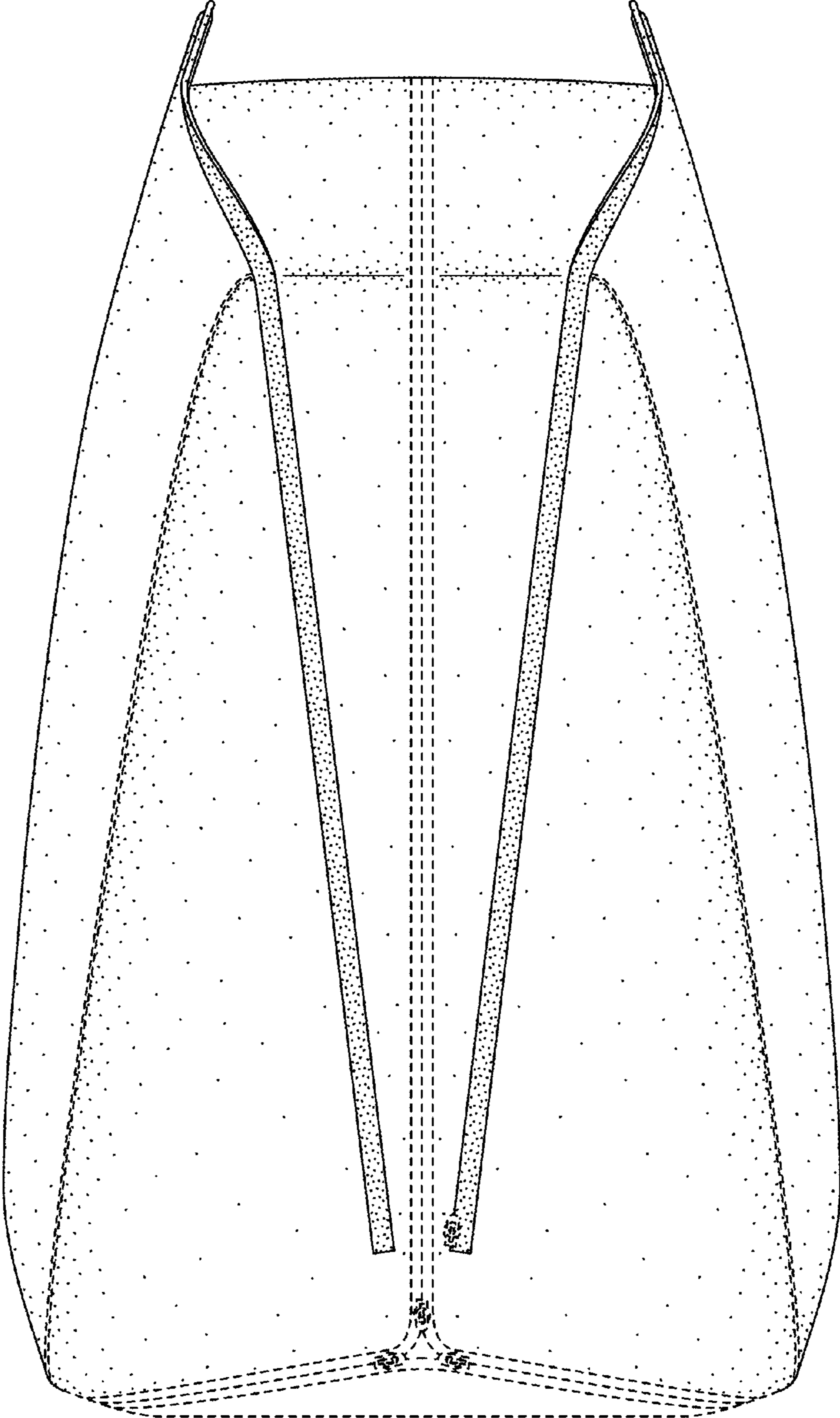


FIG. 8

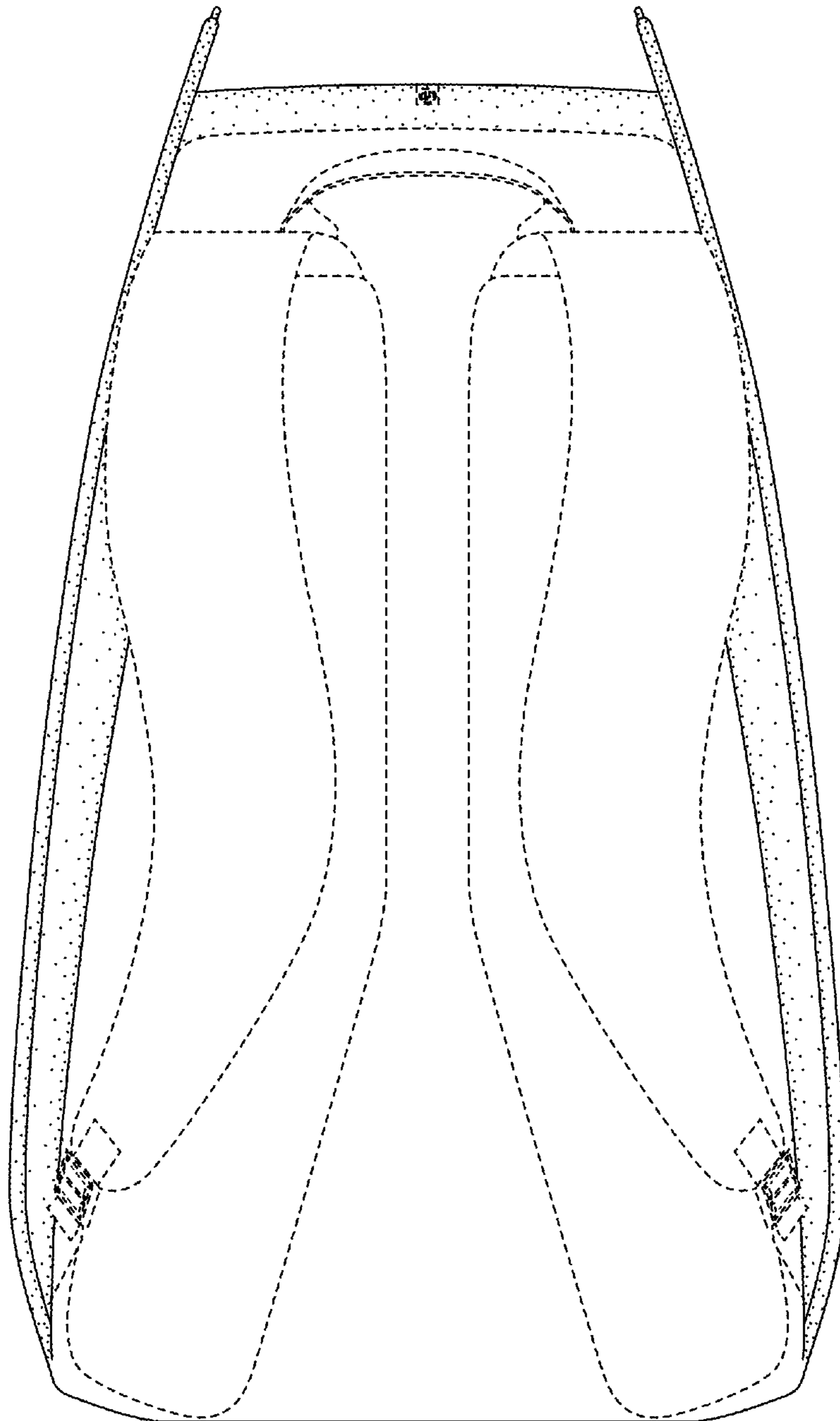


FIG. 9

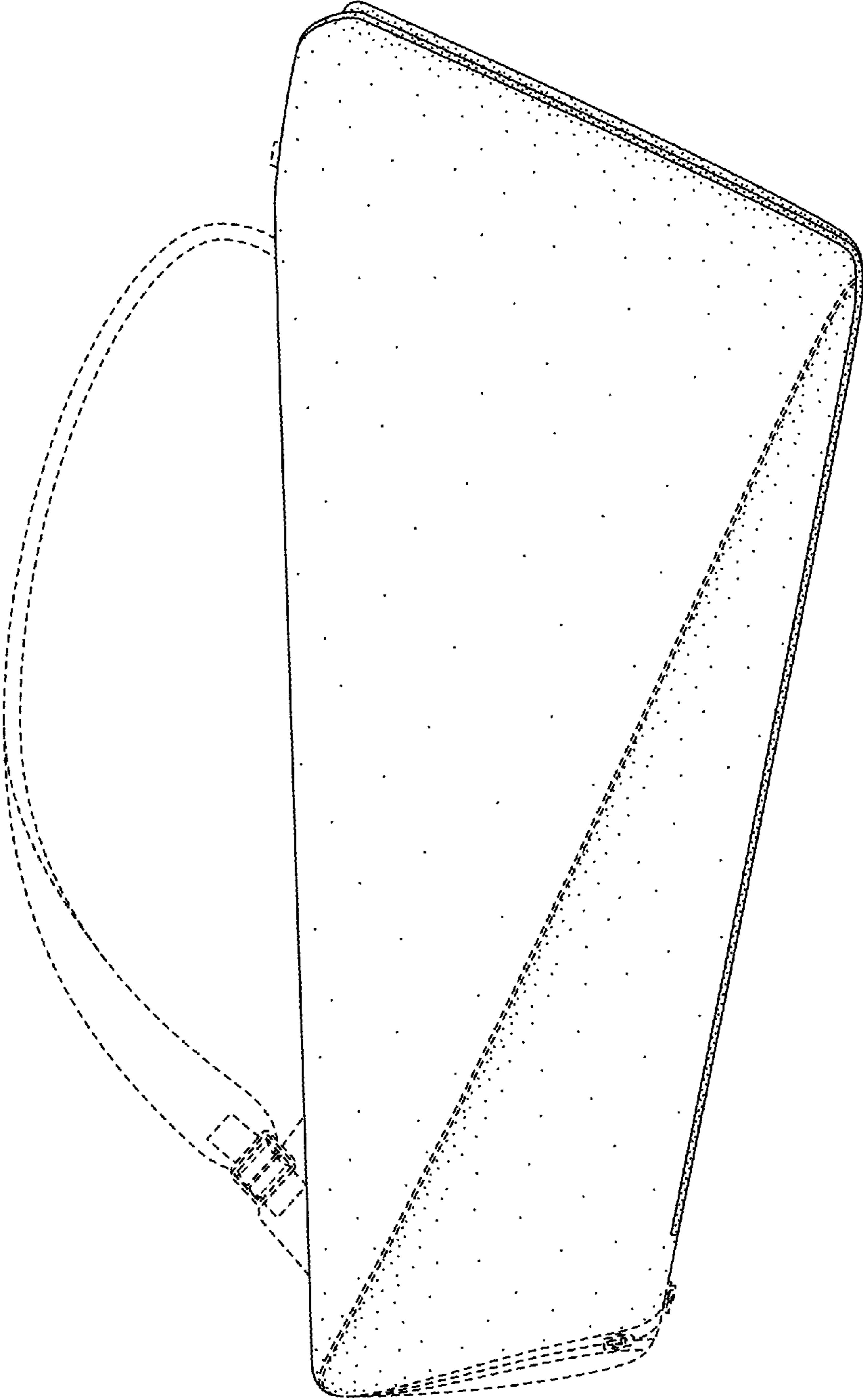


FIG. 10

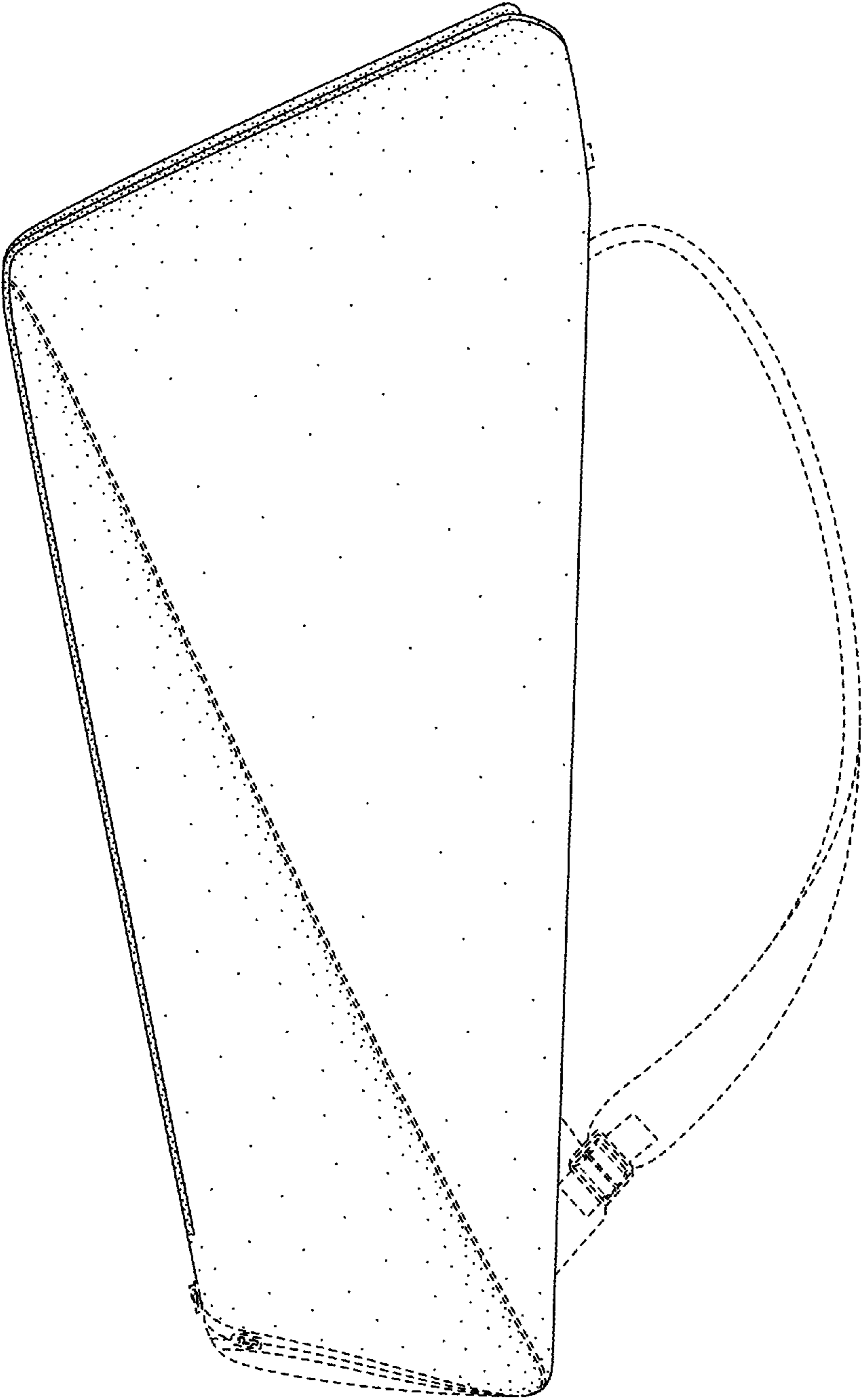


FIG. 11

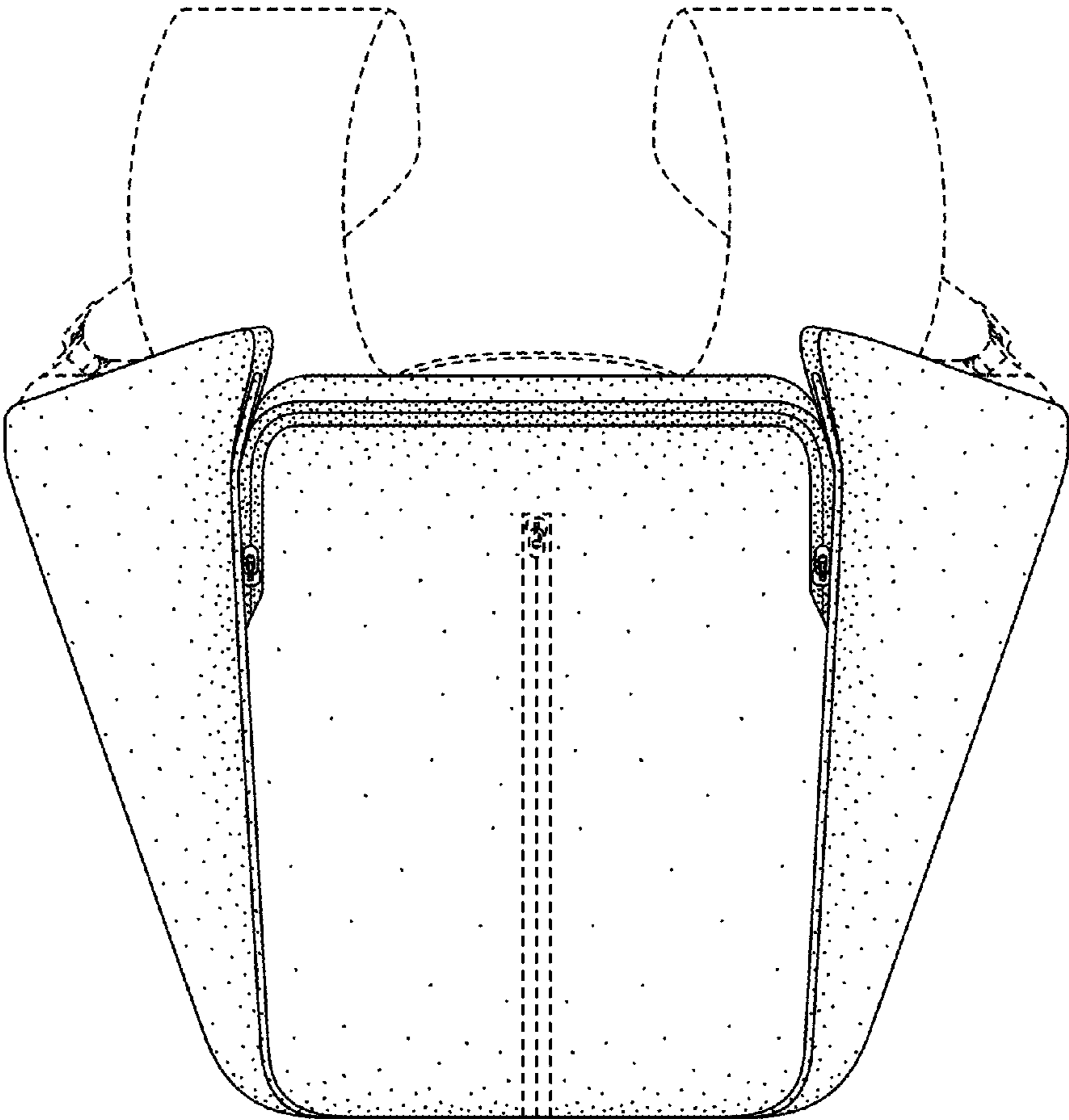


FIG. 12