



US00D726395S

(12) **United States Design Patent**
Lewis

(10) **Patent No.:** **US D726,395 S**
(45) **Date of Patent:** **** Apr. 14, 2015**

(54) **TRANSPARENT ADULT BIB WITH MULTIPLE POCKETS**

(71) Applicant: **Patricia D. Lewis**, Tampa, FL (US)

(72) Inventor: **Patricia D. Lewis**, Tampa, FL (US)

(**) Term: **14 Years**

(21) Appl. No.: **29/488,034**

(22) Filed: **Apr. 15, 2014**

(51) **LOC (10) Cl.** **02-02**

(52) **U.S. Cl.**
USPC **D2/864**

(58) **Field of Classification Search**
USPC D2/860-864, 501, 823, 600, 602, 604;
2/46, 48, 49.1-51

See application file for complete search history.

(56) **References Cited**

U.S. PATENT DOCUMENTS

677,010	A	6/1901	Ziller	
729,565	A *	6/1903	Fletcher	2/467
1,669,735	A *	5/1928	Bergstrom	2/48
2,423,581	A	7/1947	Clark	
3,359,149	A	12/1967	Hummel	
D238,117	S	12/1975	Anderson	
5,414,903	A *	5/1995	Porteous	24/9
5,682,609	A	11/1997	Ayo	
6,219,846	B1 *	4/2001	Toole	2/49.2

6,282,716	B1 *	9/2001	Patterson et al.	2/49.1
6,493,879	B1	12/2002	Hibler	
D527,869	S *	9/2006	Knigge	D2/864
D549,959	S *	9/2007	Wood	D3/228
D558,430	S *	1/2008	O'Berry	D2/864
D608,530	S *	1/2010	Williams	D2/864
D621,136	S *	8/2010	Williams	D2/864
D664,740	S *	8/2012	Alexander	D2/864
D695,494	S *	12/2013	White	D2/864
2002/0069446	A1	6/2002	Pinckney et al.	
2004/0128729	A1	7/2004	Lat	

* cited by examiner

Primary Examiner — Rashida Johnson

(57) **CLAIM**

I claim the ornamental design for the transparent adult bib with multiple pockets, as shown and described.

DESCRIPTION

FIG. 1 is a front view of the transparent adult bib with multiple pockets.

FIG. 2 is a rear view of the claimed design.

FIG. 3 is a left side view of the claimed design.

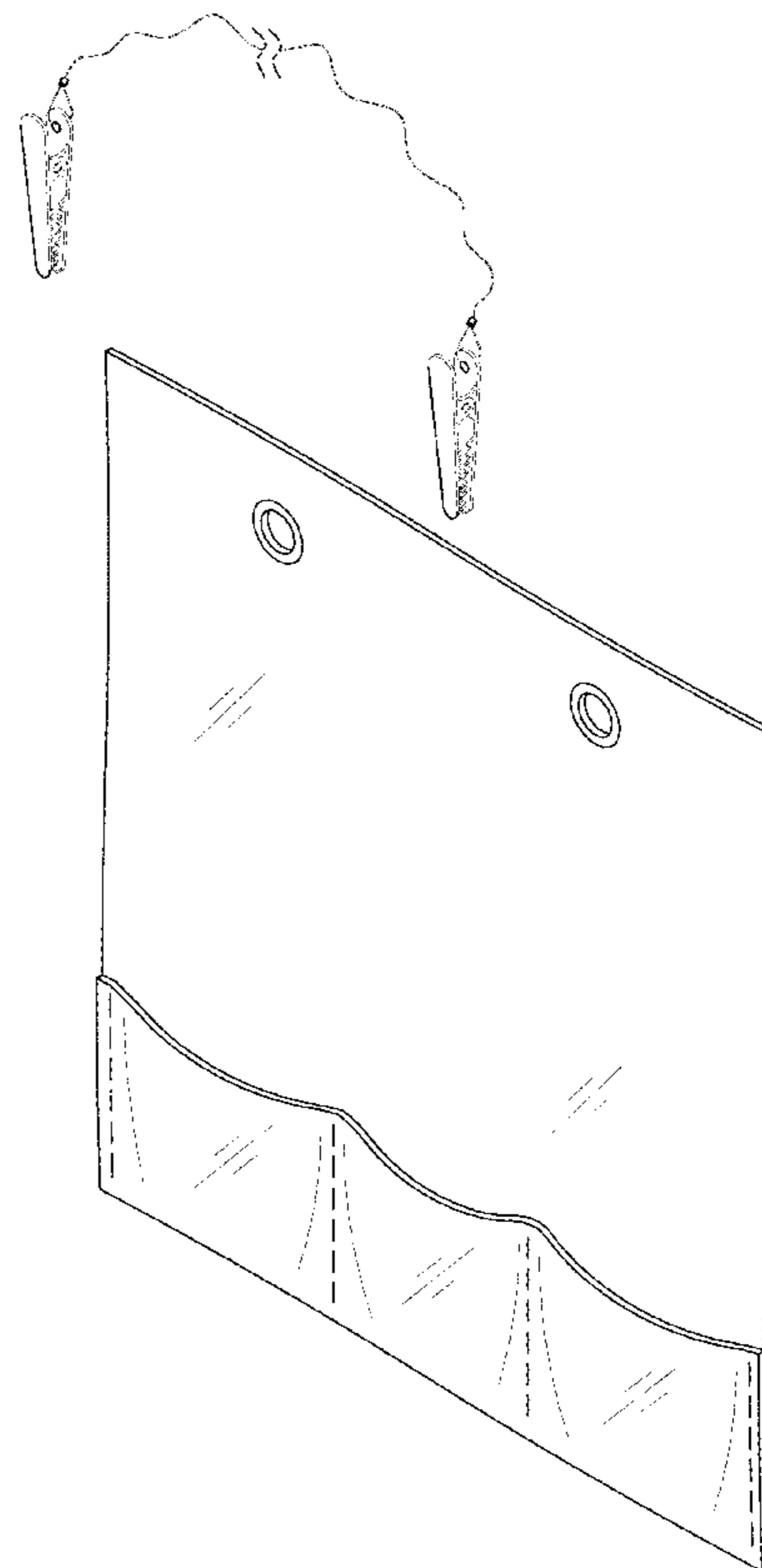
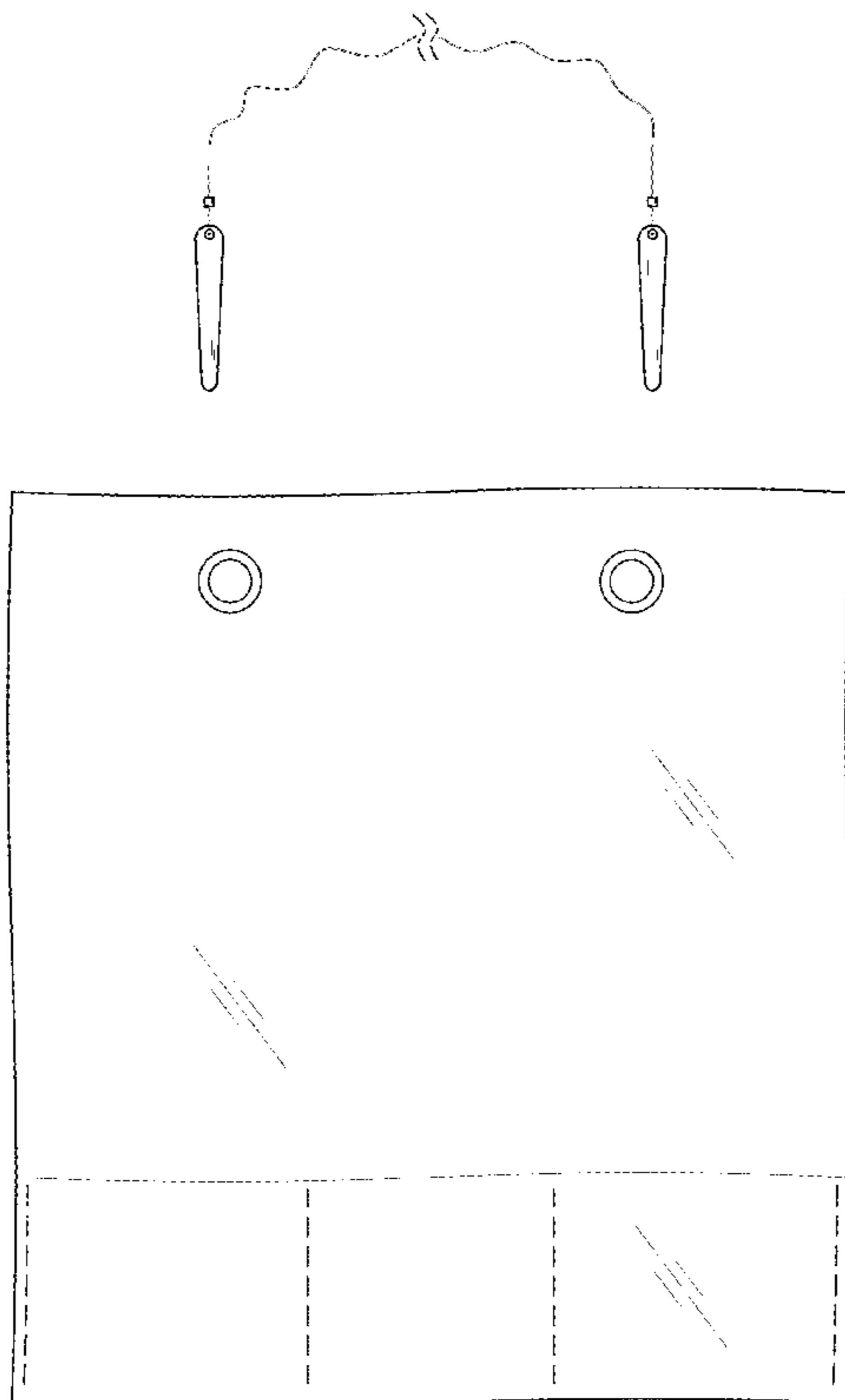
FIG. 4 is a top view of the claimed design.

FIG. 5 is a bottom view of the claimed design; and,

FIG. 6 is a perspective view of the claimed design.

In FIGS. 1-6, the lines connecting the clip features are shown with a symbolic break in its length. The appearance of any portion of the article between the break lines forms no part of the claimed design.

1 Claim, 5 Drawing Sheets



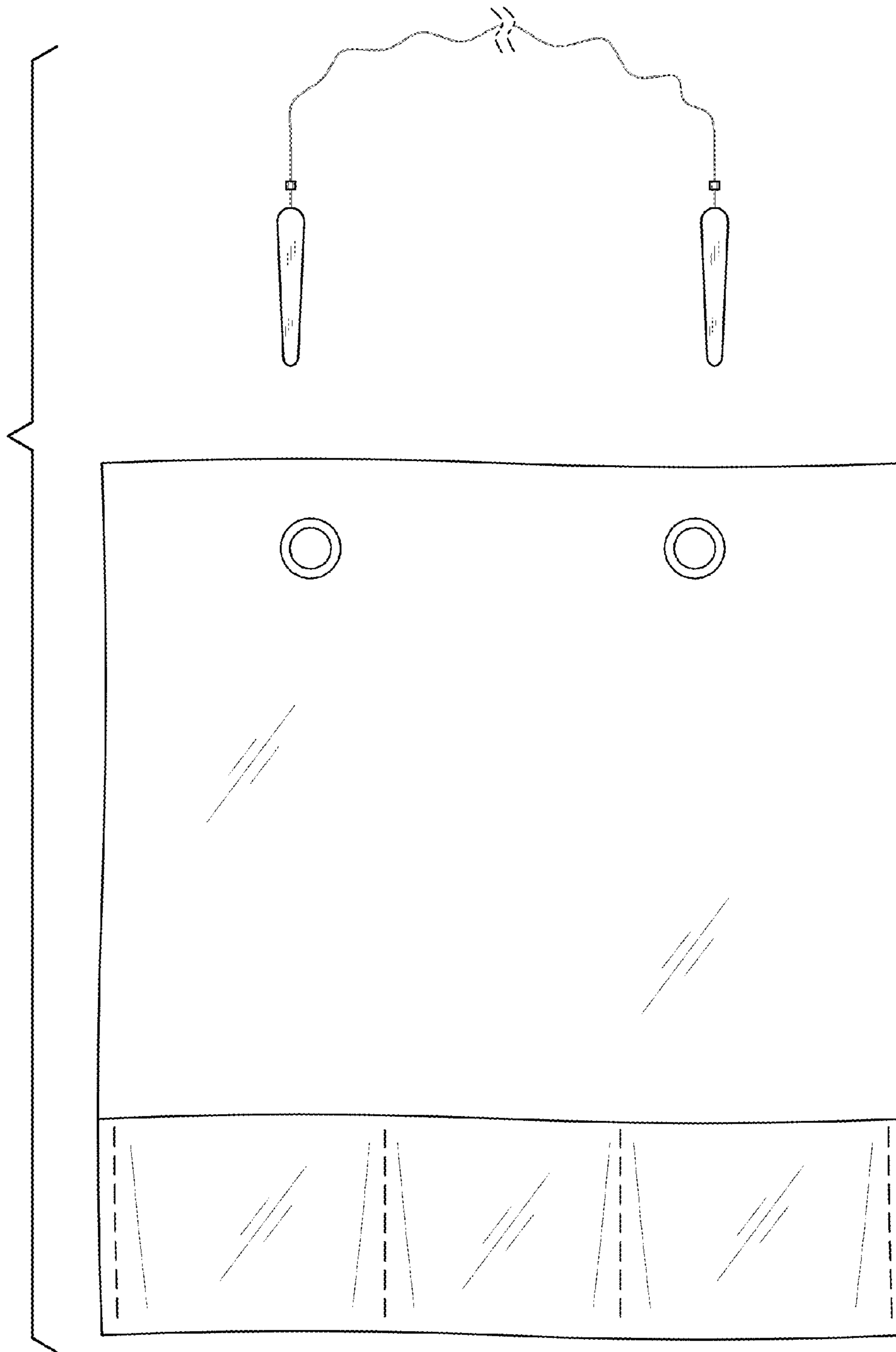


FIG. 1

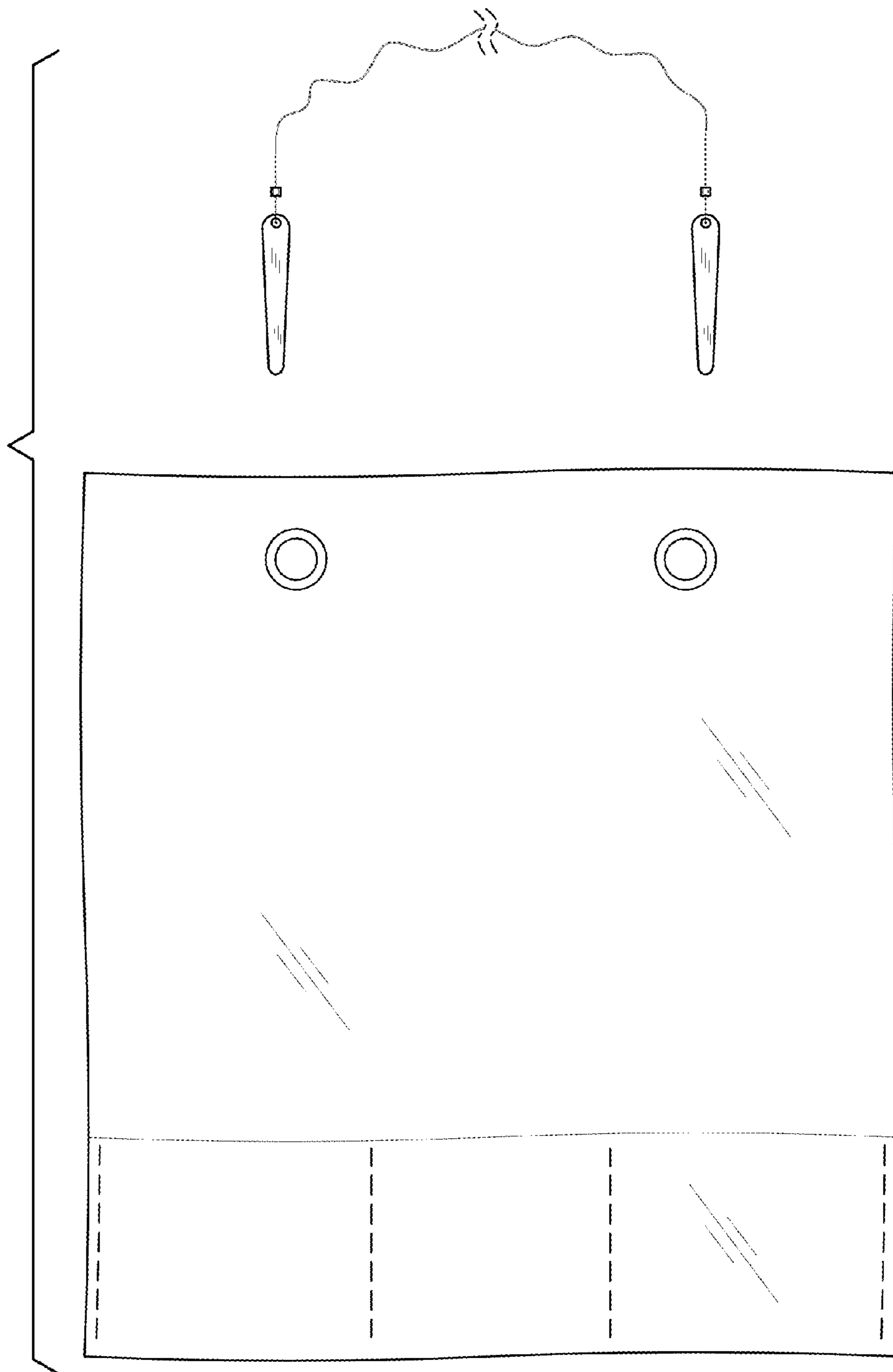
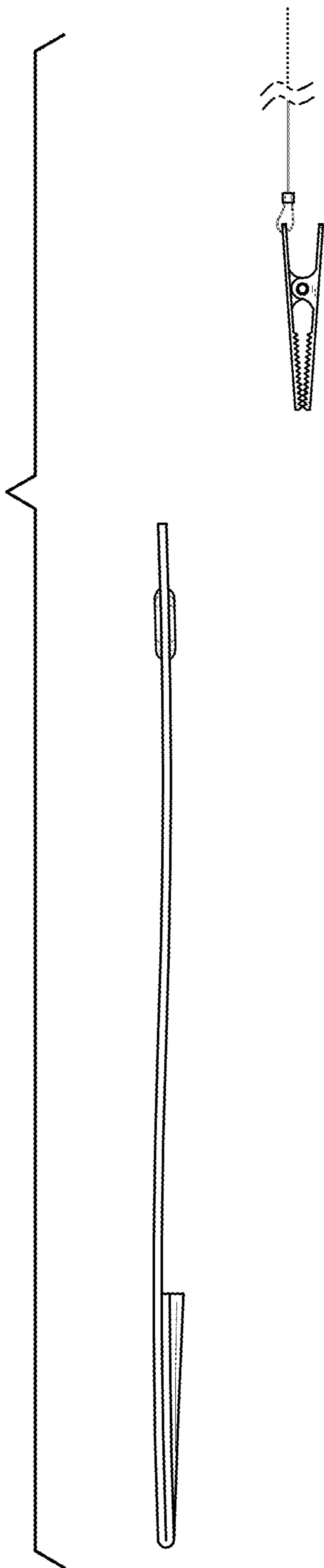


FIG. 2

FIG. 3



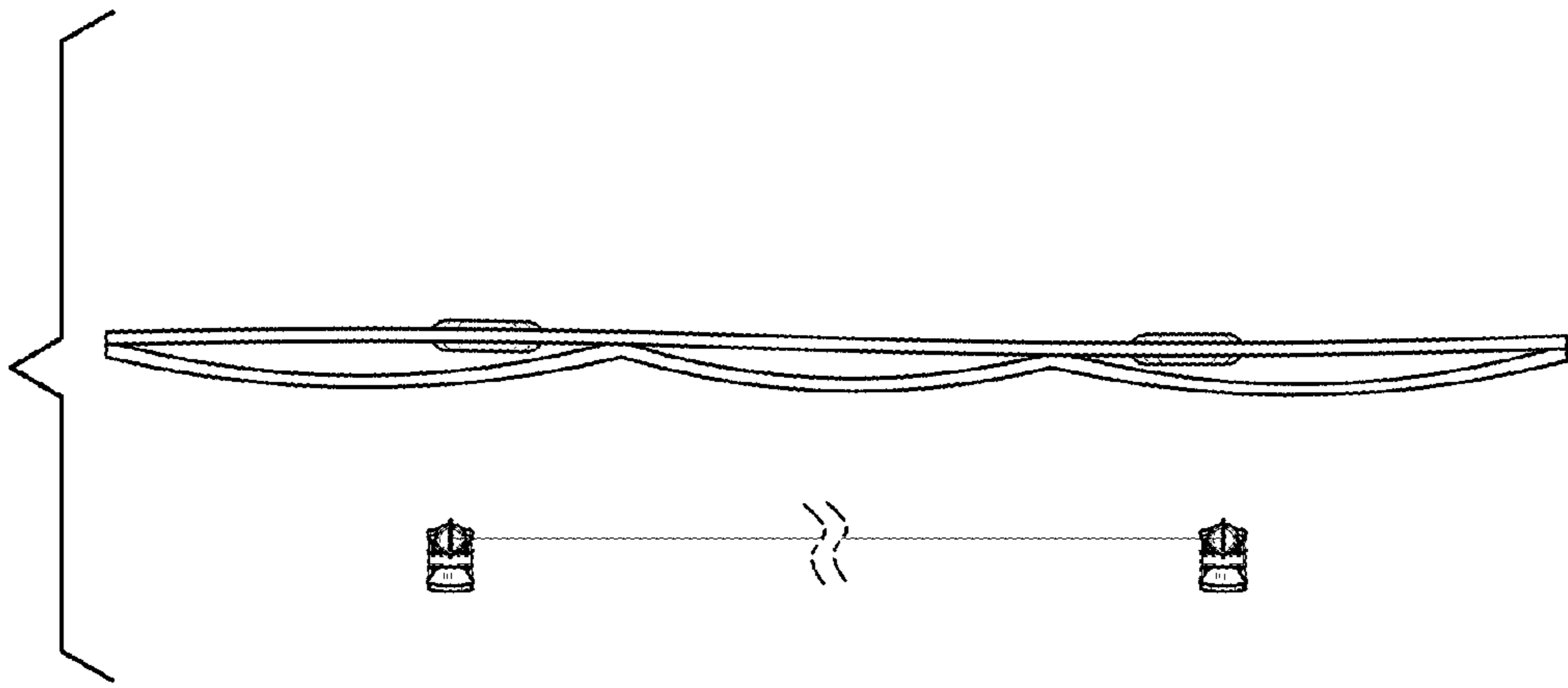


FIG. 4

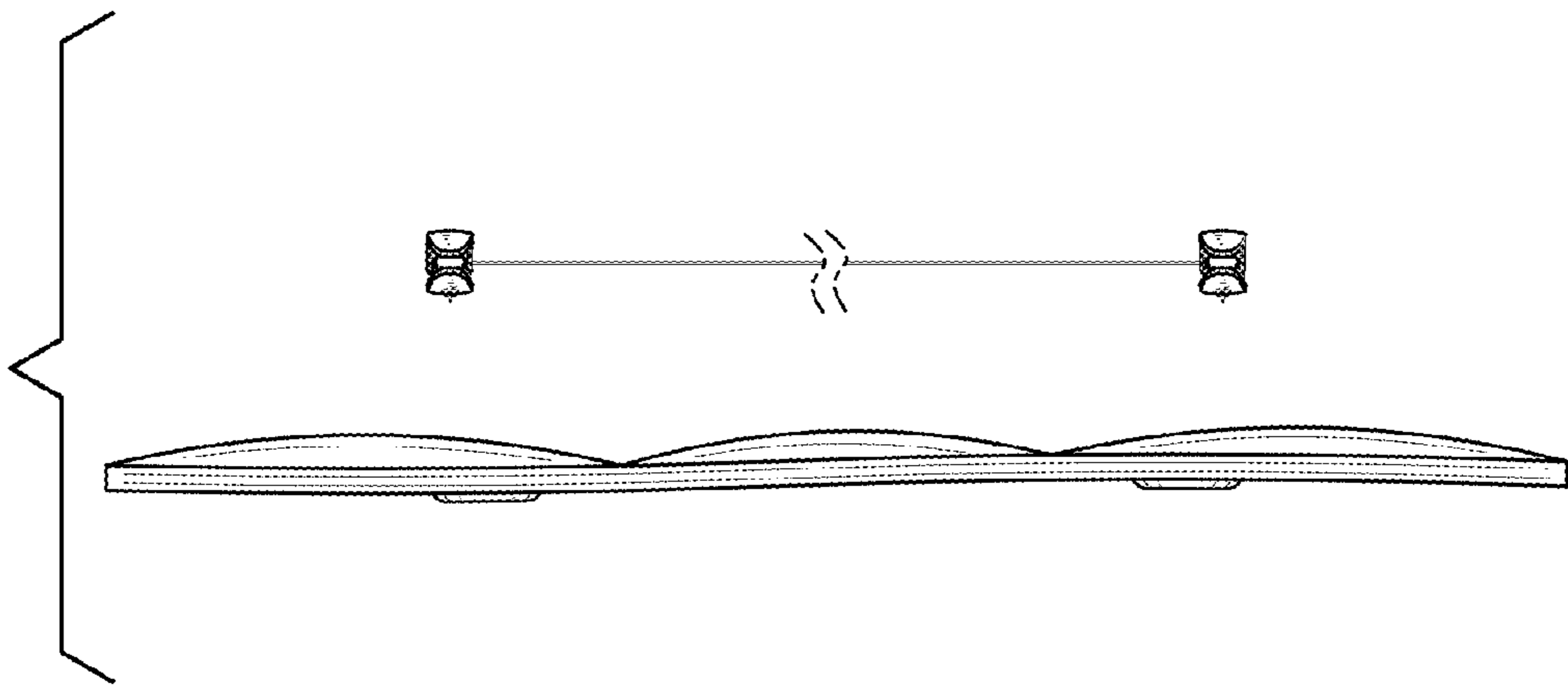


FIG. 5

