



US00D726392S

(12) **United States Design Patent**
Moore, Sr. et al.

(10) **Patent No.:** **US D726,392 S**
(45) **Date of Patent:** **** Apr. 14, 2015**

- (54) **BOOT JACK**
- (71) Applicants: **Oscar Donald Moore, Sr.**, Okolona, MS (US); **Rodney L Hampton**, Sulligent, AL (US); **Clyde Reddick, Jr.**, Okolona, AL (US)
- (72) Inventors: **Oscar Donald Moore, Sr.**, Okolona, MS (US); **Rodney L Hampton**, Sulligent, AL (US); **Clyde Reddick, Jr.**, Okolona, AL (US)

544,063	A *	8/1895	Jacks	223/115
1,636,010	A *	7/1927	Moland	223/117
D102,043	S	11/1936	Westbrook	
2,525,174	A *	10/1950	Johnstone	223/114
2,883,097	A *	4/1959	Scardamalia et al.	223/114
3,652,009	A *	3/1972	Foster	223/116
D224,460	S *	7/1972	Wright	D2/642
D226,245	S *	1/1973	Cairns	D2/642
3,734,364	A	5/1973	Mayer	
4,226,346	A *	10/1980	Turner	223/115
D277,997	S *	3/1985	Horner	D2/642
4,537,337	A	8/1985	Girty	
D286,580	S *	11/1986	Stirling	D2/642

(Continued)

(**) Term: **14 Years**

(21) Appl. No.: **29/450,590**

(22) Filed: **Mar. 19, 2013**

FOREIGN PATENT DOCUMENTS

GB	258737	9/1926
GB	312466	5/1929

(Continued)

Related U.S. Application Data

(63) Continuation of application No. 12/610,171, filed on Oct. 30, 2009, now abandoned.

(51) **LOC (10) Cl.** **07-99**

(52) **U.S. Cl.**
USPC **D2/642**

(58) **Field of Classification Search**
CPC A47G 25/80; A47G 25/82; A47G 25/84;
A47G 25/86; A47G 25/88; A47G 25/90;
A47G 25/92; A47G 25/905; A47G 25/907;
A47G 25/908
USPC D2/641-642; D9/519, 529, 558, 564,
D9/781; D7/684; D23/413; D21/754;
223/111-118, 120; 150/160

See application file for complete search history.

(56) **References Cited**

U.S. PATENT DOCUMENTS

10,016	A *	9/1853	Sumner	223/115
63,844	A	4/1867	Boss	
110,743	A	1/1871	Crabtree	
370,197	A	9/1887	Kennedy	

Primary Examiner — Barbara Fox

Assistant Examiner — Dana K Weiland

(74) *Attorney, Agent, or Firm* — Jeremy A. Smith; Bradley Arant Boult Cummings LLP

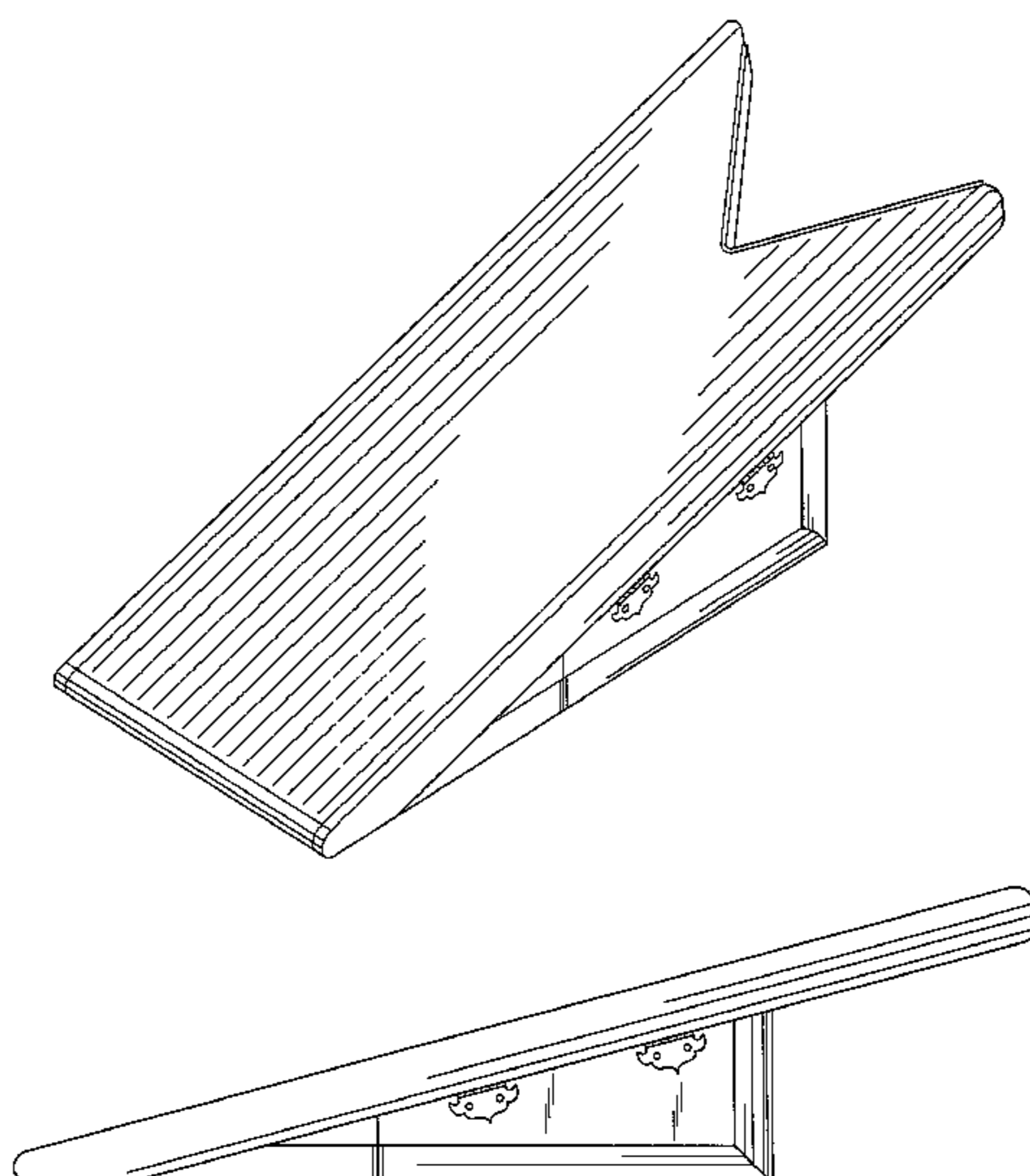
(57) **CLAIM**

The ornamental design for a boot jack, as substantially shown and described.

DESCRIPTION

FIG. 1 is a rear perspective view of a boot jack showing my new design;
FIG. 2 is a top plan view thereof;
FIG. 3 is a left side view thereof;
FIG. 4 is a bottom plan view thereof;
FIG. 5 is a right side view thereof;
FIG. 6 is a front end-on view thereof;
FIG. 7 is a rear end-on view thereof; and,
FIG. 8 is a perspective view thereof showing a door in an open condition.

1 Claim, 5 Drawing Sheets



(56)

References Cited

FOREIGN PATENT DOCUMENTS

U.S. PATENT DOCUMENTS

5,054,667 A * 10/1991 Levy et al. 223/116
 5,133,488 A 7/1992 Peterson
 D352,388 S * 11/1994 Swirsky D2/642
 D394,336 S 5/1998 Gillikin, Sr.
 D412,771 S * 8/1999 Kelley D2/642
 D482,183 S * 11/2003 Hopping D2/642
 7,048,159 B1 5/2006 Bowers
 2011/0101048 A1 * 5/2011 Moore et al. 223/114

GB 406463 3/1934
 GB 664096 10/1950
 GB 1001980 8/1965
 GB 2031264 4/1980
 GB 2144969 3/1985
 JP 60086180 U 6/1985
 JP 2001032481 A 2/2001
 JP 2003116702 A 4/2003
 KR 20-1989-0002449 Y1 4/1989

* cited by examiner

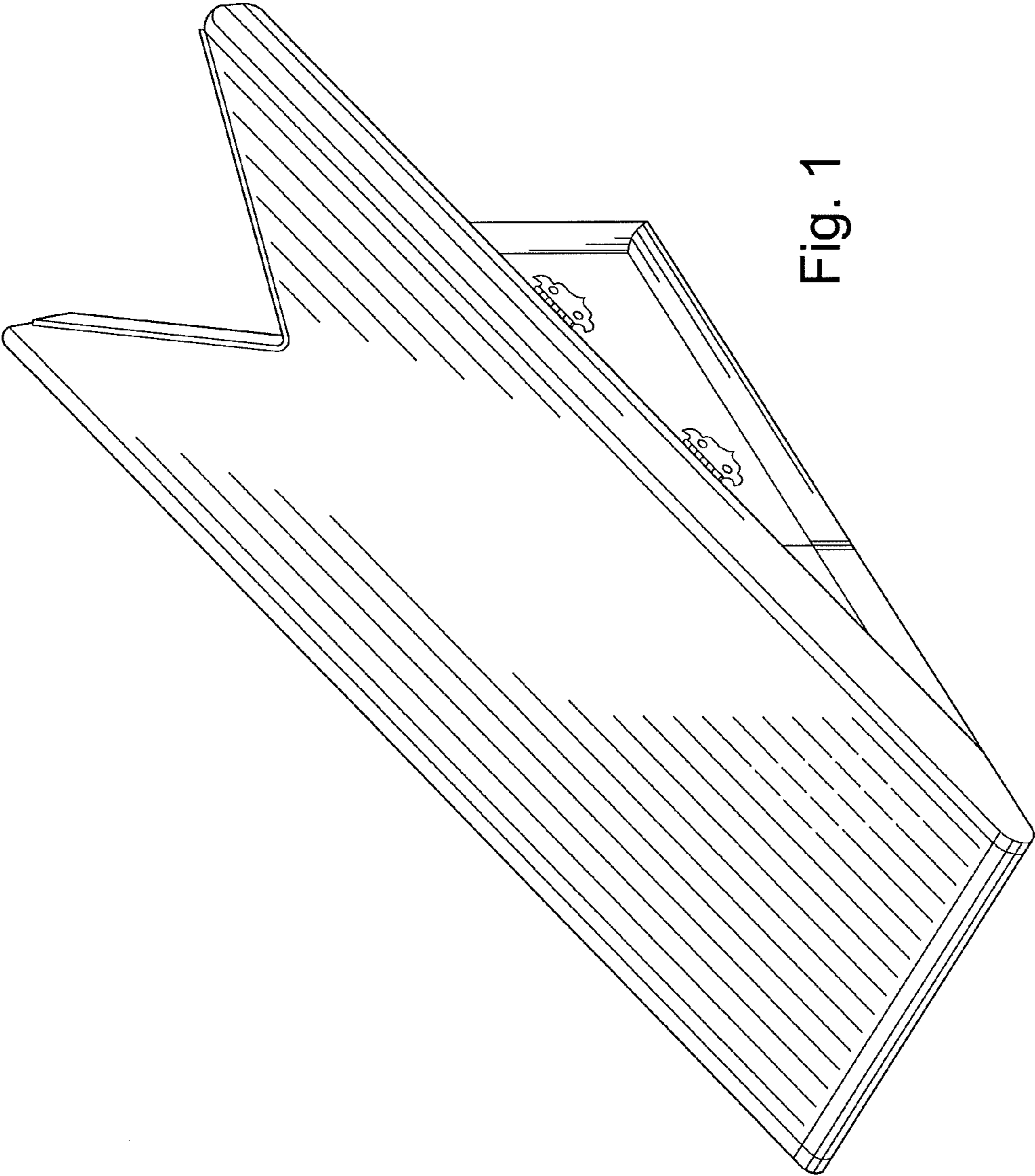


Fig. 1

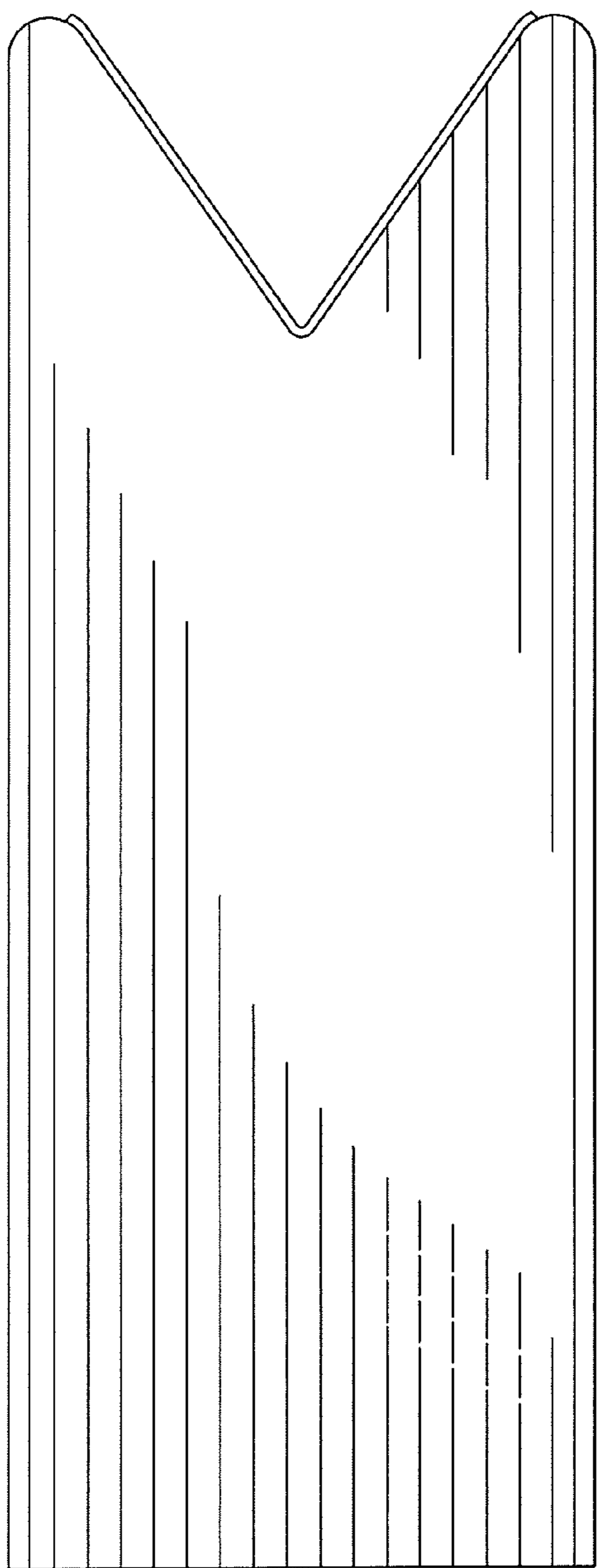


Fig. 2

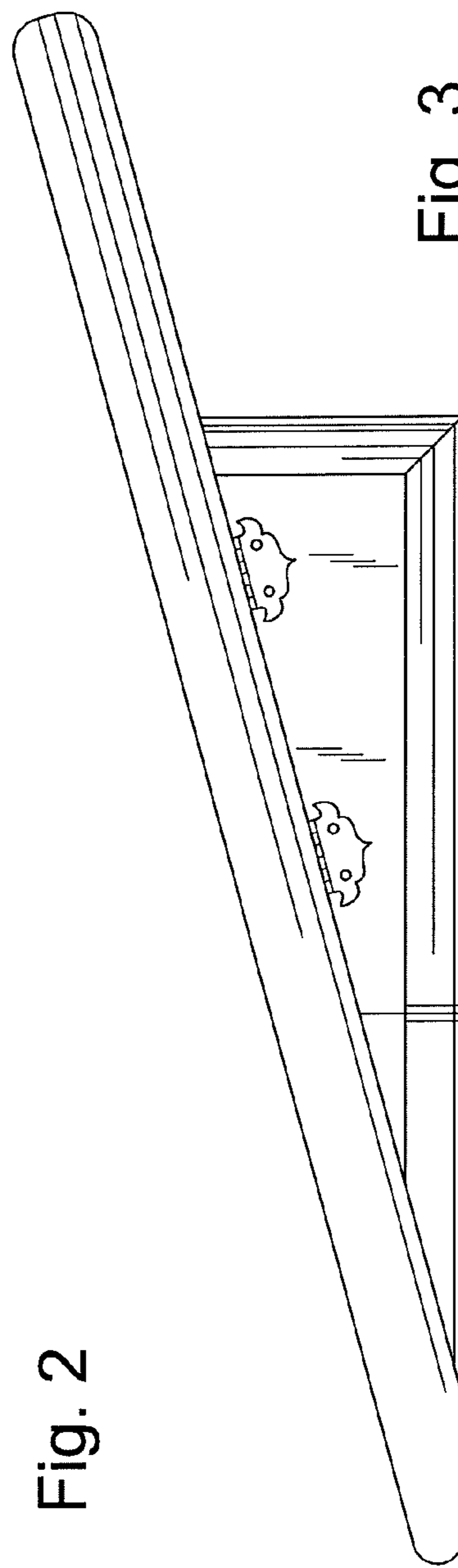


Fig. 3

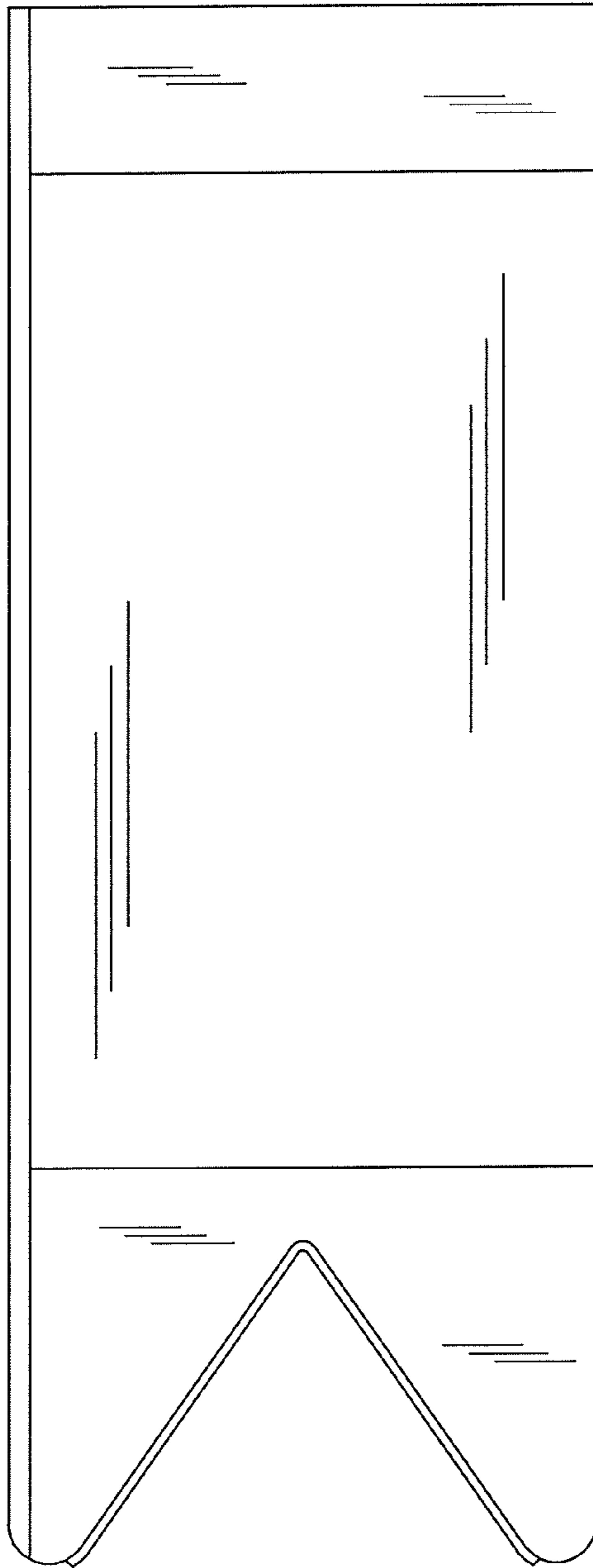


Fig. 4

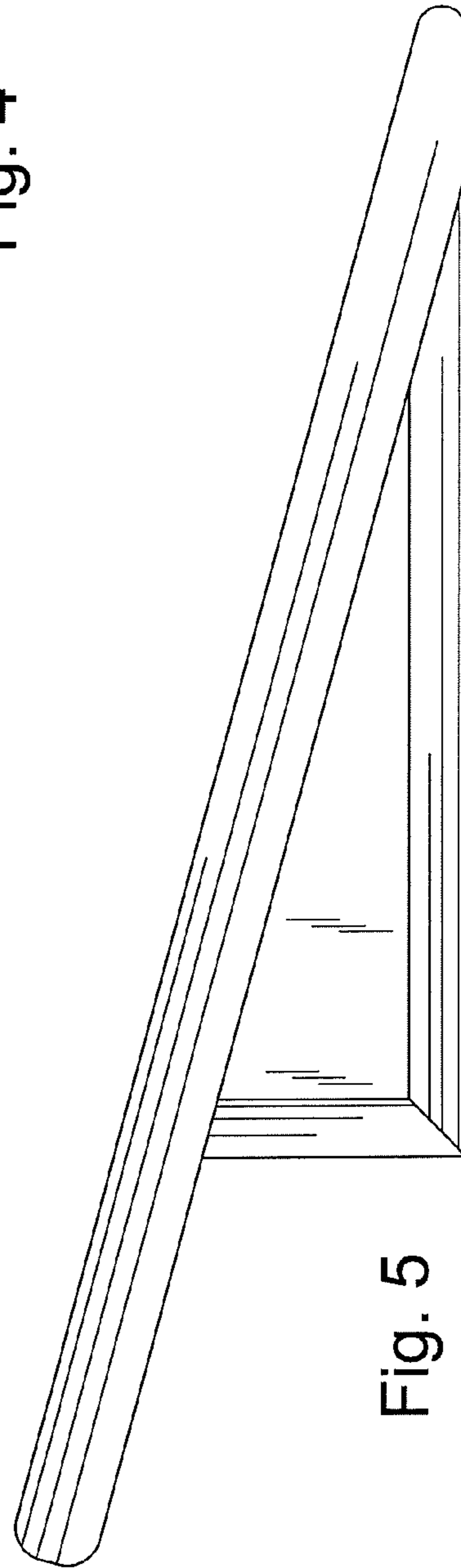


Fig. 5

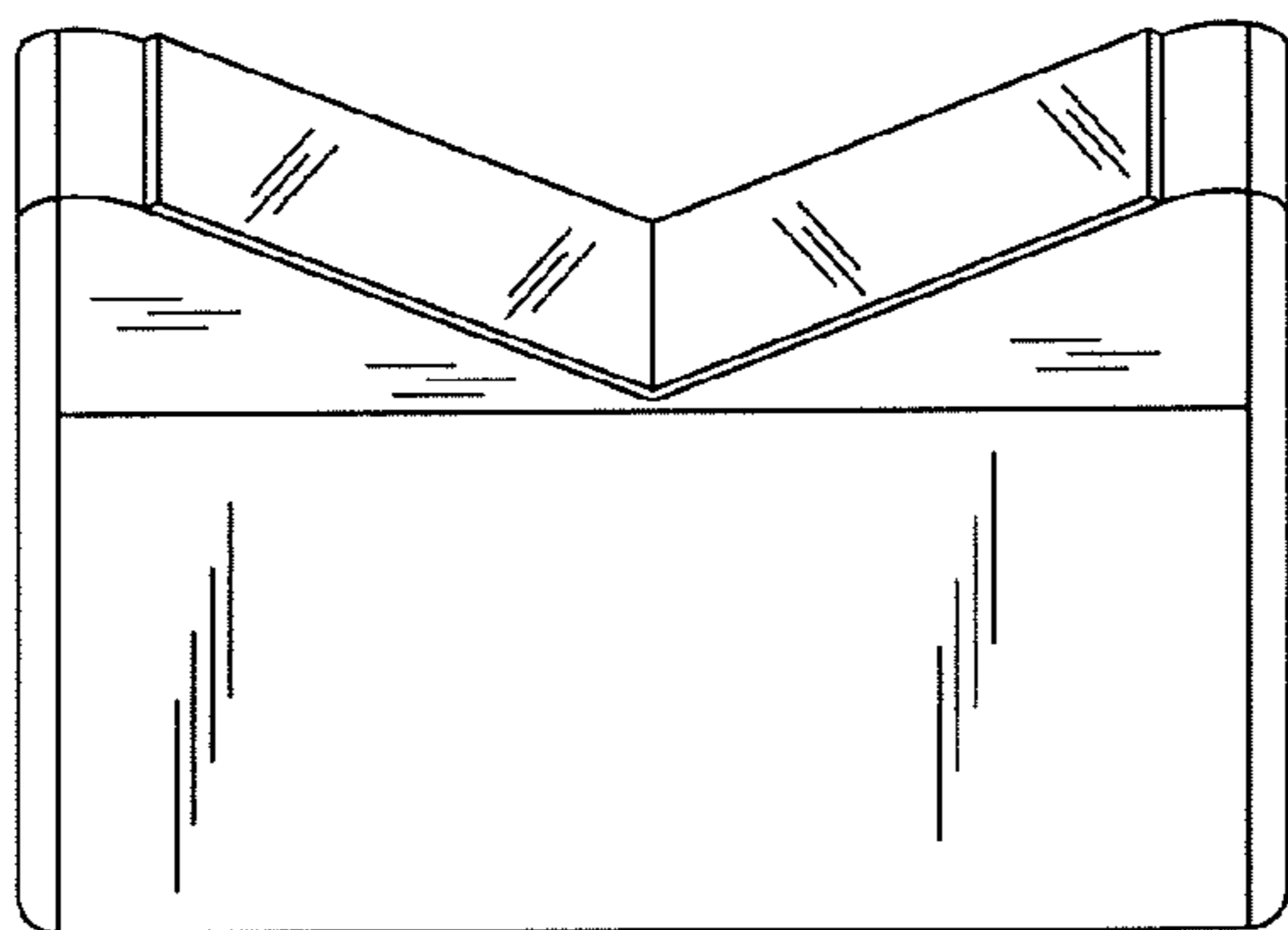


Fig. 6

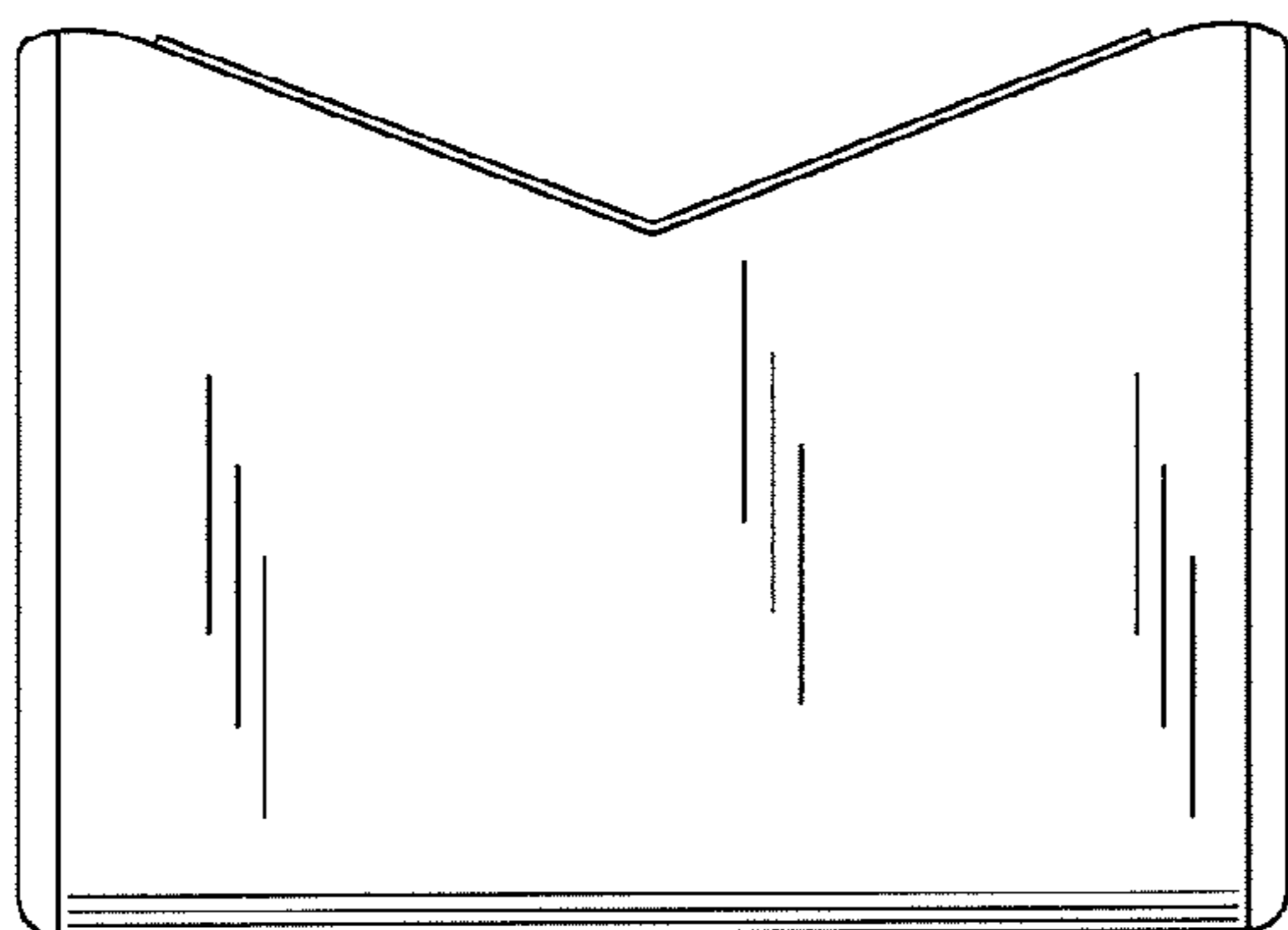


Fig. 7

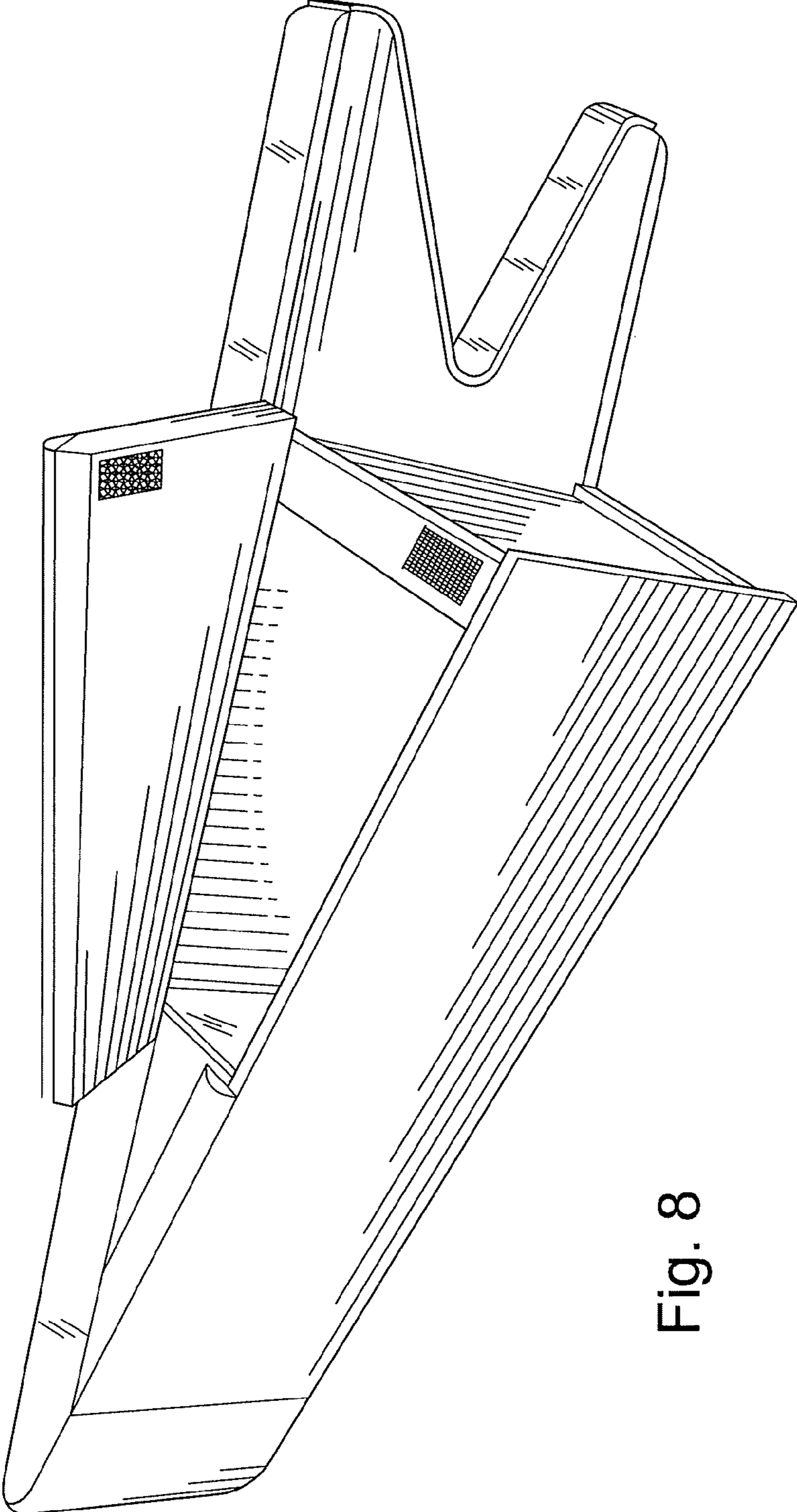


Fig. 8