

US00D726384S

(12) **United States Design Patent**  
**Jenden**

(10) **Patent No.:** **US D726,384 S**

(45) **Date of Patent:** **\*\* Apr. 7, 2015**

(54) **HOLDER**

(71) Applicant: **Gosling Chapman Trustee Company Limited**, Auckland (NZ)

(72) Inventor: **Roderick Charles Jenden**, Whangaparaoa (NZ)

(\*\*) Term: **14 Years**

(21) Appl. No.: **29/499,145**

(22) Filed: **Aug. 12, 2014**

(30) **Foreign Application Priority Data**

Feb. 12, 2014 (NZ) ..... 418515

(51) **LOC (10) Cl.** ..... **32-01**

(52) **U.S. Cl.**  
USPC ..... **D32/52**

(58) **Field of Classification Search**

USPC ..... D32/40-45, 50-52; 15/118, 244.1, 15/244.2, 244.3, 244.4, 116.1, 116.2, 15/119.1, 119.2, 104.9, 228, 229.2, 229.4; 401/135-140

See application file for complete search history.

(56) **References Cited**

**U.S. PATENT DOCUMENTS**

3,651,529	A *	3/1972	Popeil et al.	15/4
D477,764	S *	7/2003	Magann	D8/90
D478,351	S *	8/2003	Belton et al.	D19/53
D547,954	S *	8/2007	Thurin et al.	D4/137
D554,315	S *	10/2007	Schouten	D32/52
D583,156	S *	12/2008	Constantine	D4/138
D626,339	S *	11/2010	Knopow	D4/137

8,011,050	B2 *	9/2011	Knopow	15/27
D648,794	S *	11/2011	Yuan	D19/53
D653,828	S *	2/2012	Seehoff et al.	D32/52
D655,513	S *	3/2012	Neumann et al.	D4/137
D657,573	S *	4/2012	Neumann et al.	D4/137
D681,898	S *	5/2013	Wu et al.	D32/35
D687,286	S *	8/2013	Ali et al.	D8/90
D689,659	S *	9/2013	Thurin	D32/35
D707,525	S *	6/2014	Ali et al.	D8/90
D716,631	S *	11/2014	Miller	D8/90

\* cited by examiner

*Primary Examiner* — John Windmuller

(74) *Attorney, Agent, or Firm* — McCarter & English, LLP

(57) **CLAIM**

The ornamental design for a holder, as shown and described.

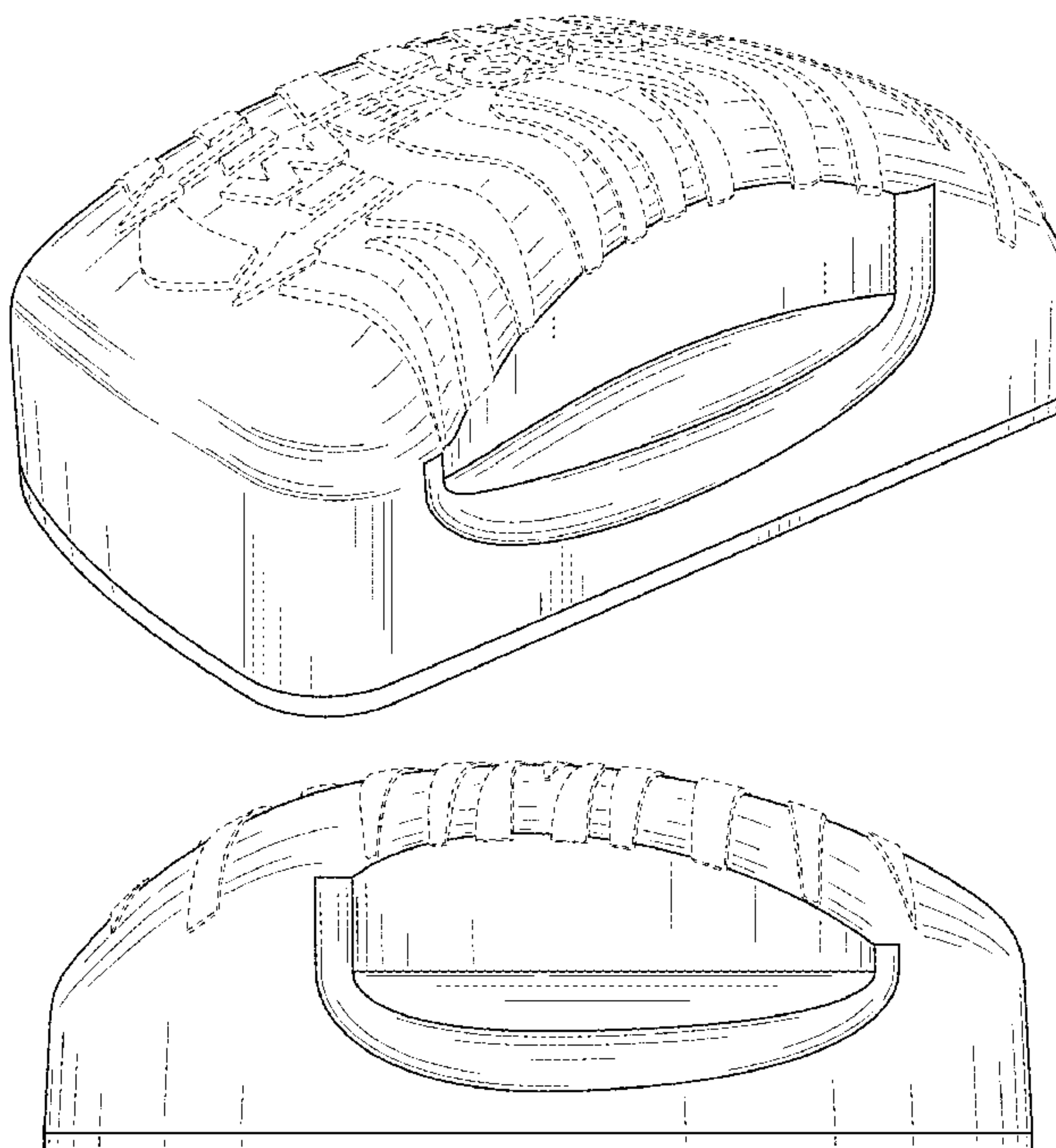
**DESCRIPTION**

FIG. 1 is a top perspective view of a holder showing my new design;  
FIG. 2 is a bottom perspective view of the holder of FIG. 1;  
FIG. 3 is a top view of the holder of FIG. 1;  
FIG. 4 is a bottom view of the holder of FIG. 1;  
FIG. 5 is a side view of the holder of FIG. 1;  
FIG. 6 is an end view showing a first end of the holder of FIG. 1; and,  
FIG. 7 is an end view showing a second end of the holder of FIG. 1.

The broken lines in the figures depict portions of the holder that form no part of the claimed design.

WET & FORGET is a registered trademark of Gosling Chapman Trustee Company Limited.

**1 Claim, 4 Drawing Sheets**



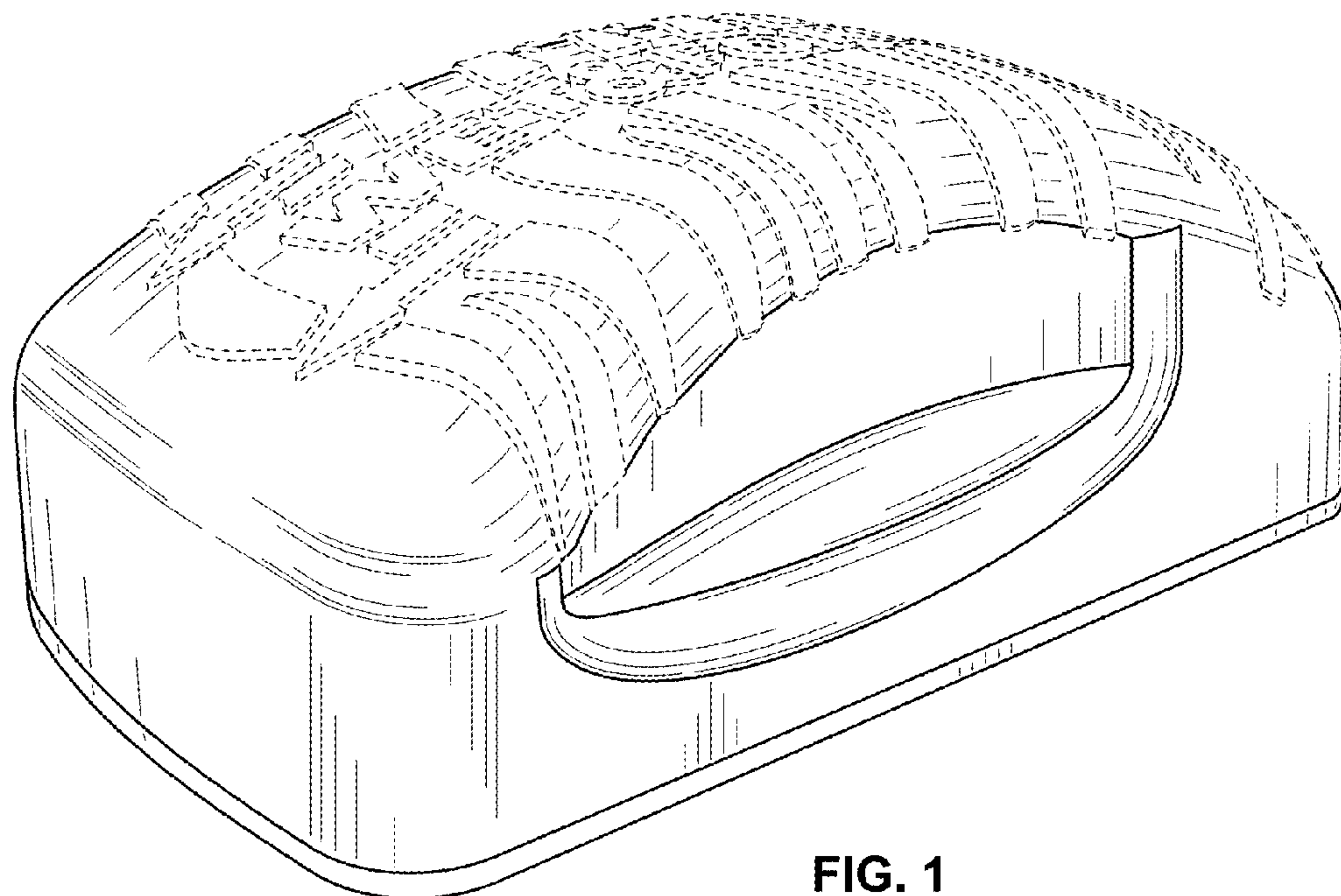


FIG. 1

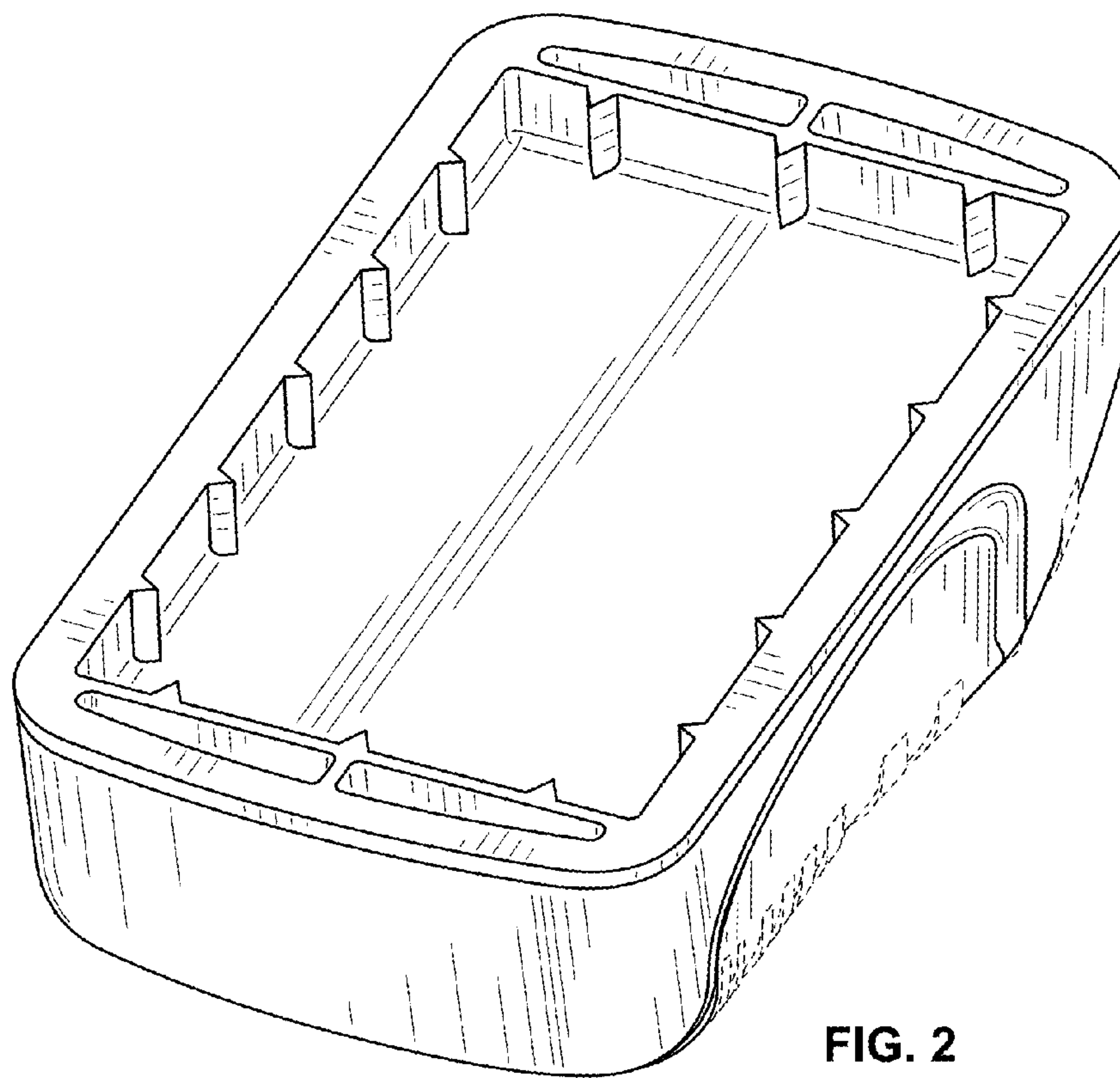


FIG. 2

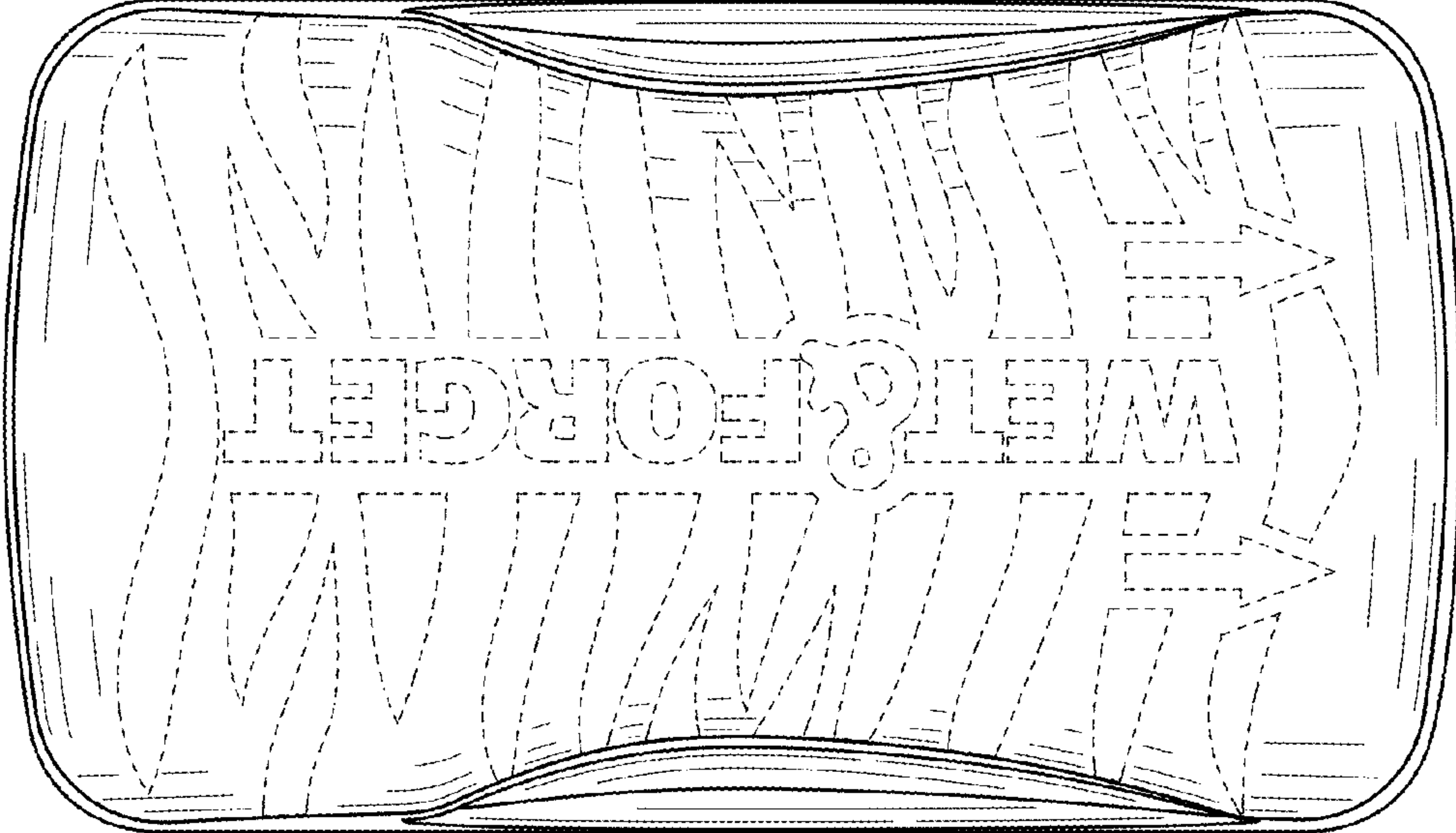


FIG. 3

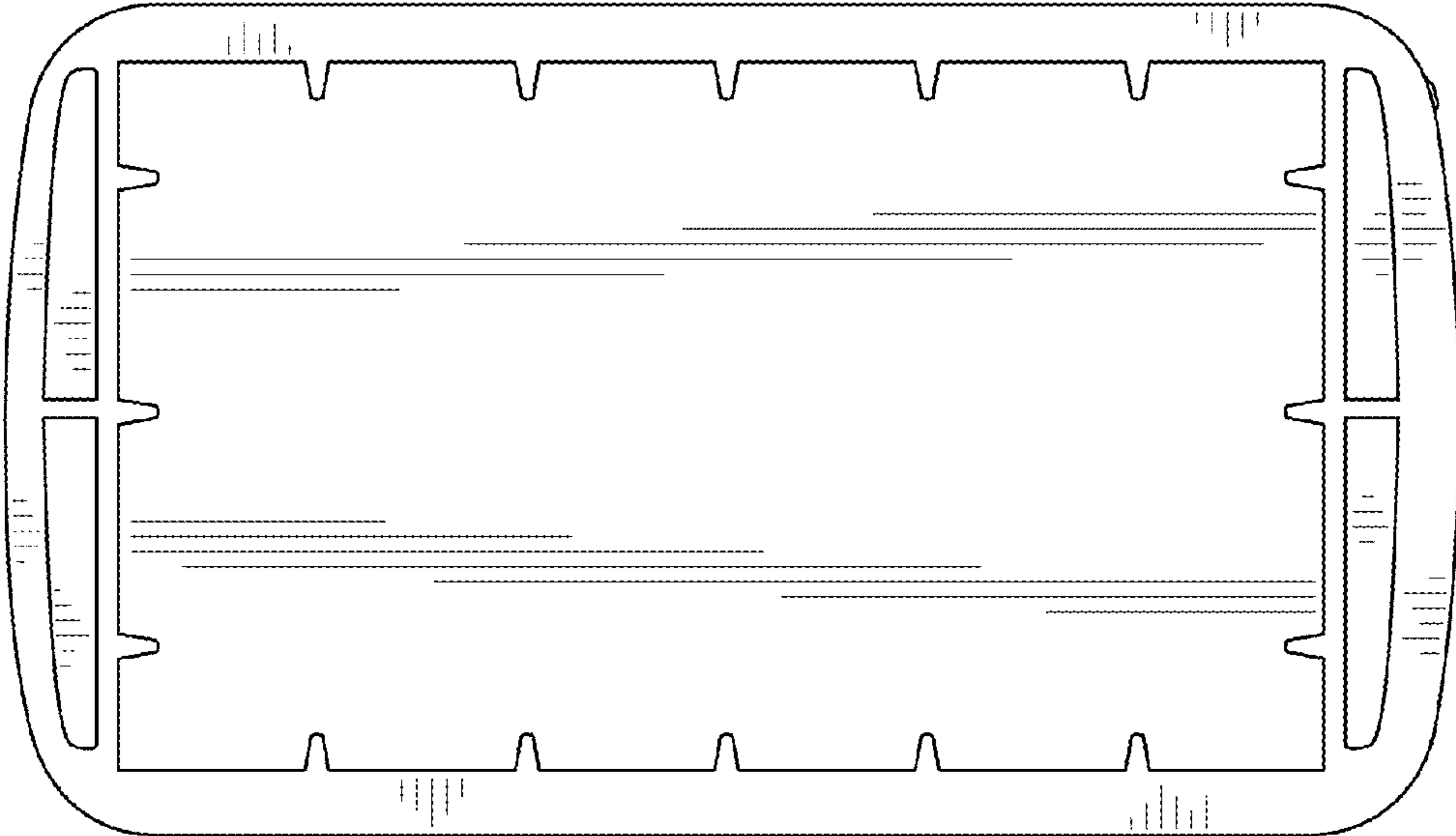


FIG. 4



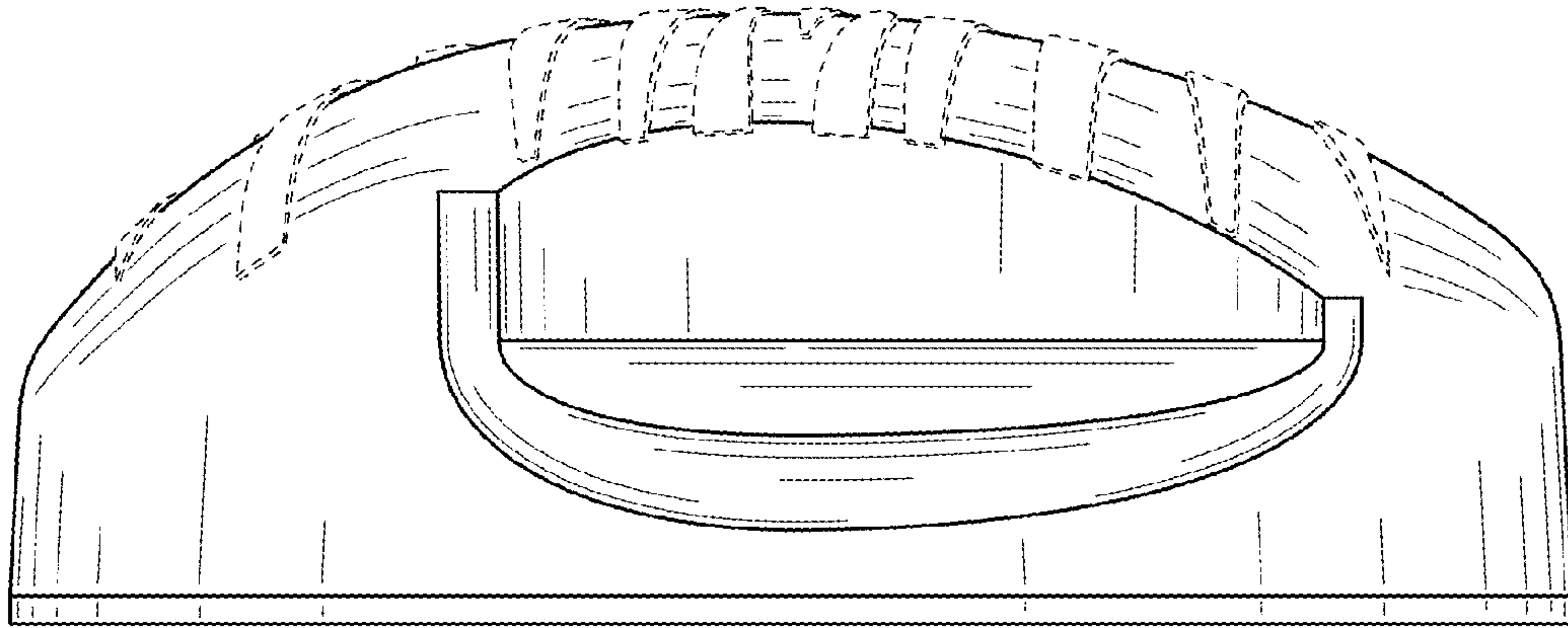


FIG. 5

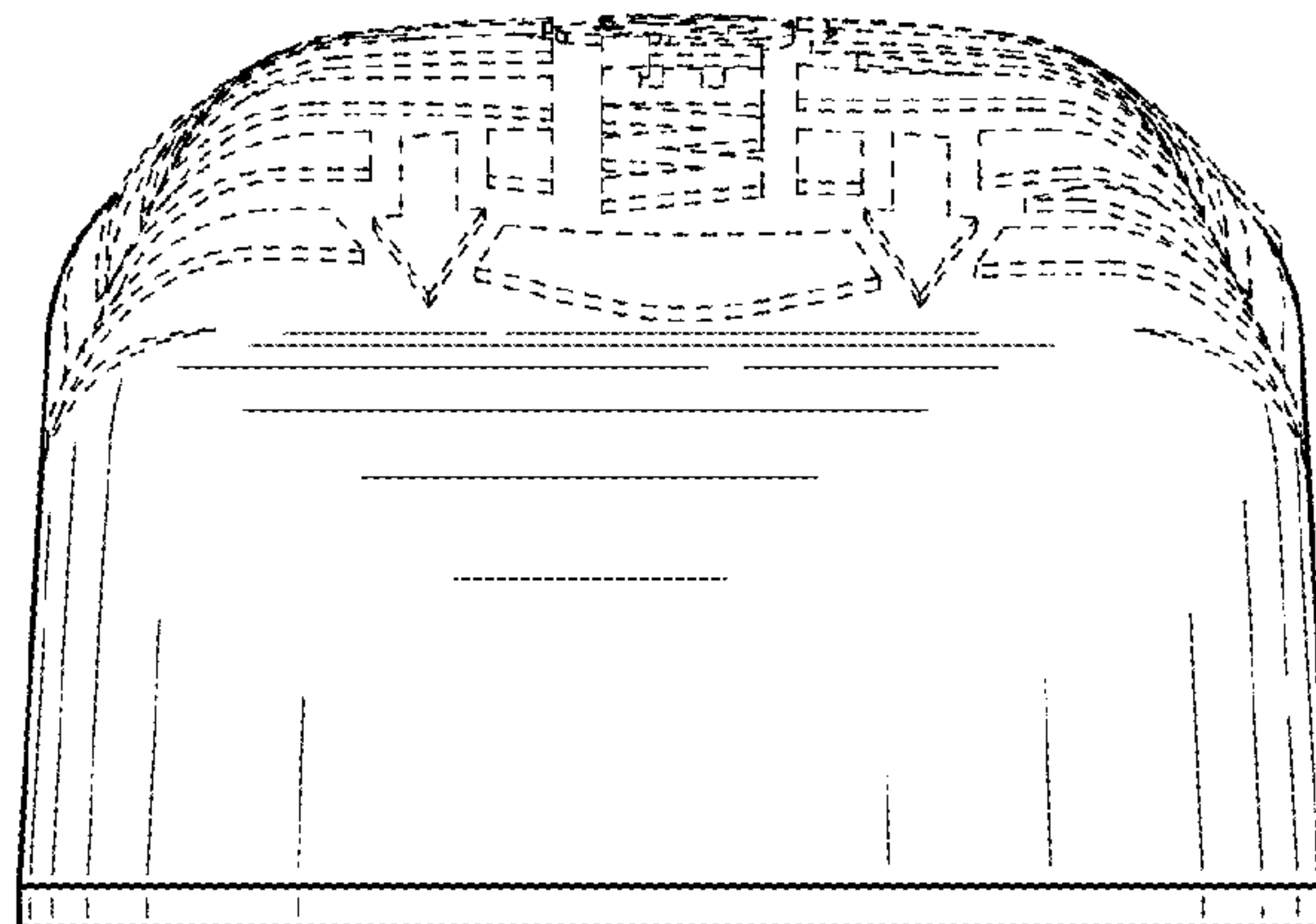


FIG. 6

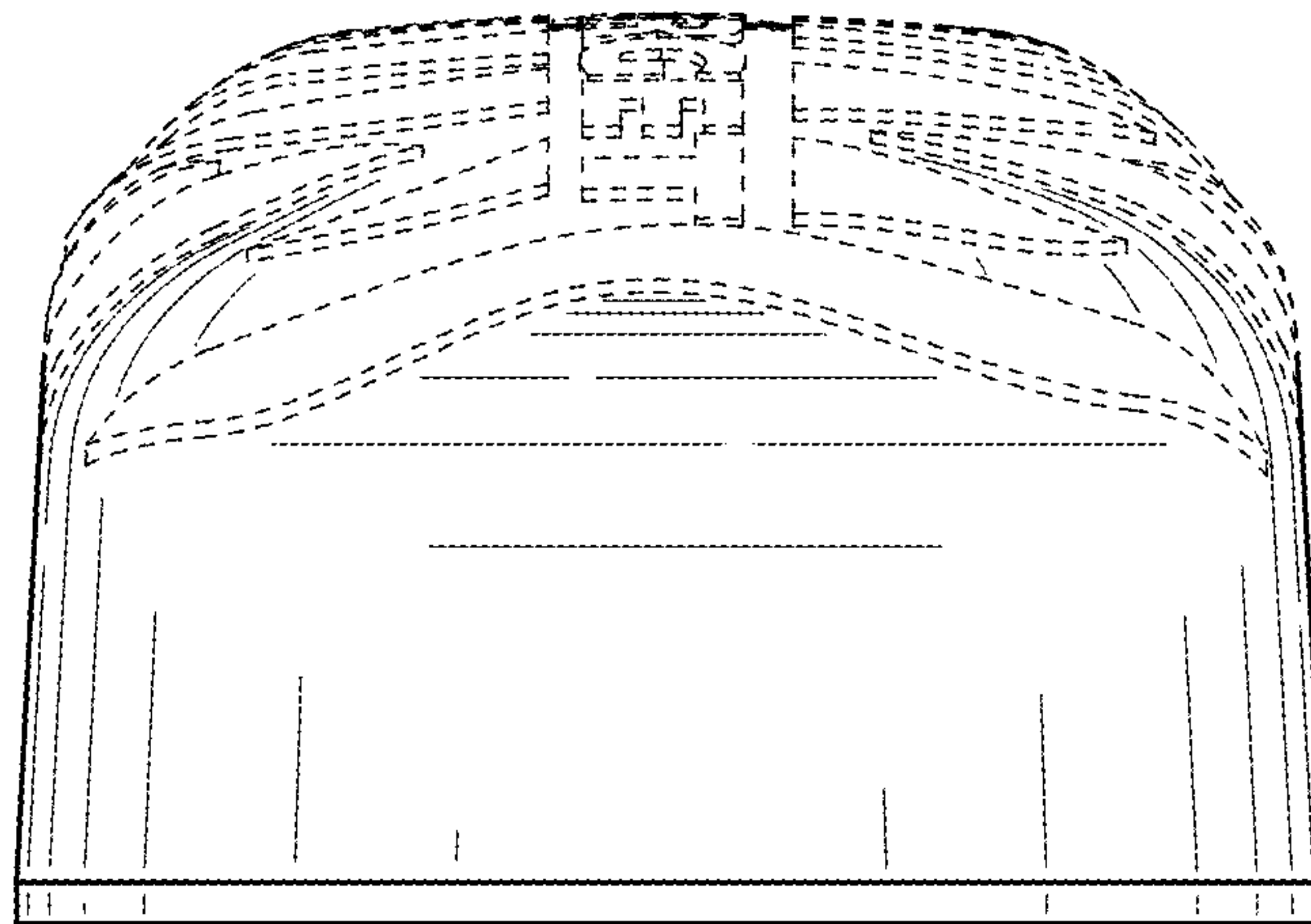


FIG. 7

UNITED STATES PATENT AND TRADEMARK OFFICE  
**CERTIFICATE OF CORRECTION**

PATENT NO. : D726,384 S  
APPLICATION NO. : 29/499145  
DATED : April 7, 2015  
INVENTOR(S) : Jenden et al.

Page 1 of 1

It is certified that error appears in the above-identified patent and that said Letters Patent is hereby corrected as shown below:

On the Title Page

Item (71) please list the Applicants as two co-applicants as follows:

Gosling Chapman Trustee Company Limited, Auckland, (NZ)

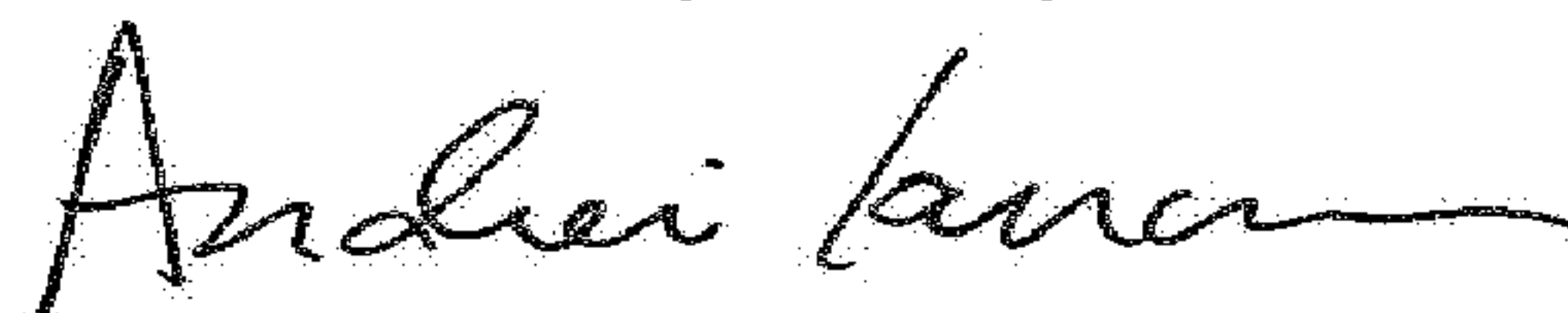
Roderick Charles Jenden, Arkles Bay, (NZ)

Item (73) please list the Assignees as two co-assignees as follows:

Gosling Chapman Trustee Company Limited, Auckland, (NZ)

Roderick Charles Jenden, Arkles Bay, (NZ)

Signed and Sealed this  
Tenth Day of July, 2018



Andrei Iancu

*Director of the United States Patent and Trademark Office*