



US00D726383S

(12) **United States Design Patent**
Milligan

(10) **Patent No.:** **US D726,383 S**
(45) **Date of Patent:** **** Apr. 7, 2015**

(54) **HANDHELD VACUUM CLEANER**
(71) Applicant: **Black & Decker Inc.**, Newark, DE (US)
(72) Inventor: **David Milligan**, Tyne & Wear (GB)
(73) Assignee: **Black & Decker Inc.**, Newark, DE (US)
(**) Term: **14 Years**
(21) Appl. No.: **29/475,934**
(22) Filed: **Dec. 9, 2013**

(30) **Foreign Application Priority Data**
Jun. 11, 2013 (EM) 001374268
(51) **LOC (10) Cl.** **15-05**
(52) **U.S. Cl.**
USPC **D32/18**
(58) **Field of Classification Search**
USPC D32/17, 18, 31, 21, 23-24; 15/344,
15/329, 347, 327.1, 327.2, 327.7,
15/352-353; 55/337, 429, 345, DIG. 3
See application file for complete search history.

(56) **References Cited**
U.S. PATENT DOCUMENTS
D552,309 S * 10/2007 Houghton D32/18
7,370,387 B2 * 5/2008 Walker et al. 15/344

D595,017 S * 6/2009 Baxter et al. D32/18
D640,847 S * 6/2011 Houghton D32/18
8,595,895 B2 * 12/2013 Smith 15/344
2007/0033765 A1 * 2/2007 Walker et al. 15/344
2013/0091656 A1 * 4/2013 Smith 15/344

* cited by examiner

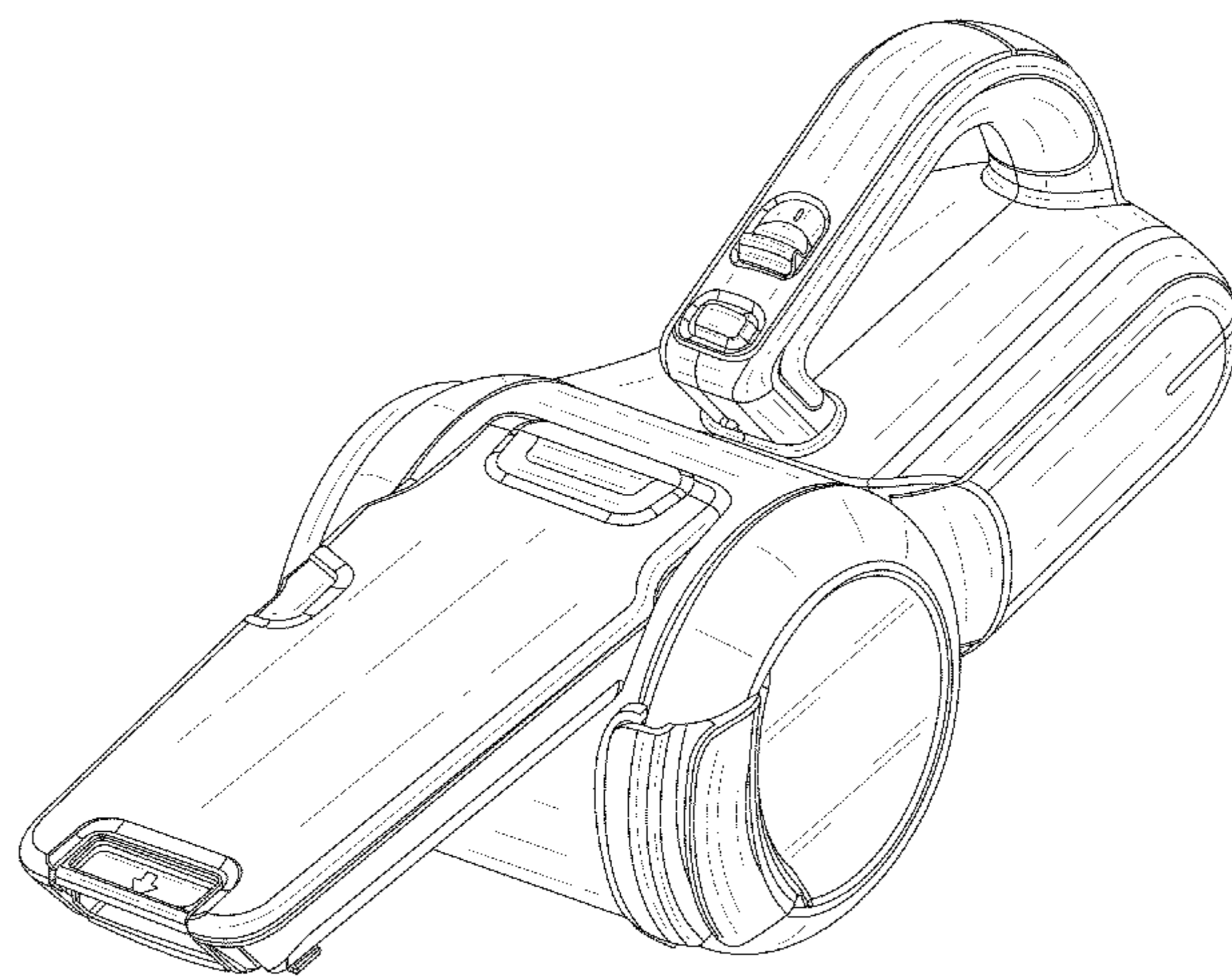
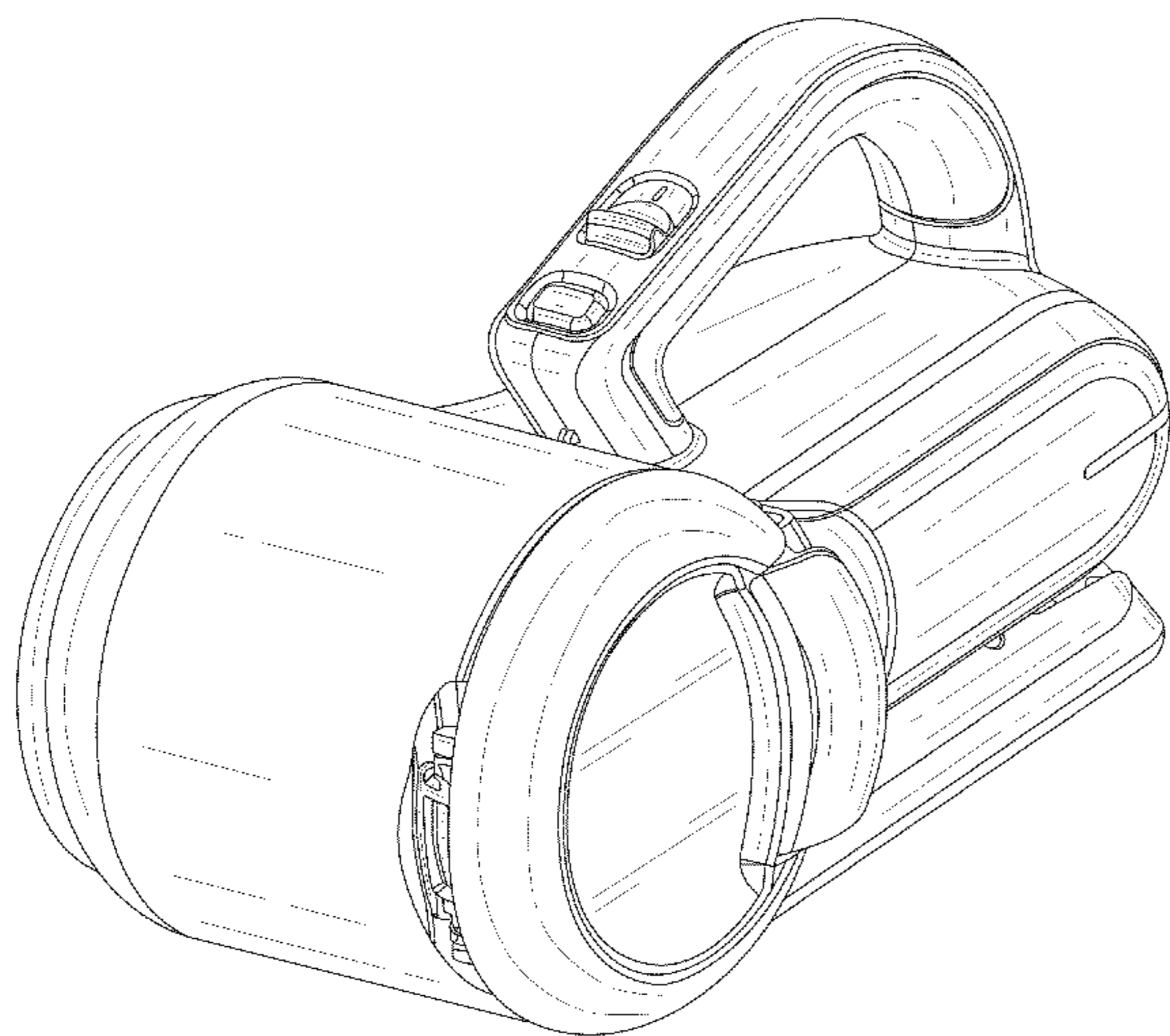
Primary Examiner — Ruth McInroy

(57) **CLAIM**
The ornamental design for a handheld vacuum cleaner, as shown and described.

DESCRIPTION

FIG. 1 is a perspective view of a handheld vacuum cleaner in a closed position showing my new design;
FIG. 2 is a left side view thereof;
FIG. 3 is a right side thereof;
FIG. 4 is a front view thereof;
FIG. 5 is a rear view thereof;
FIG. 6 is a top view thereof;
FIG. 7 is a bottom view thereof;
FIG. 8 is a perspective view thereof in an open position;
FIG. 9 is a left side view of FIG. 8;
FIG. 10 is a right side view of FIG. 8;
FIG. 11 is a front view of FIG. 8;
FIG. 12 is a rear side view of FIG. 8;
FIG. 13 is a top view of FIG. 8; and,
FIG. 14 is a bottom view of FIG. 8.

1 Claim, 14 Drawing Sheets



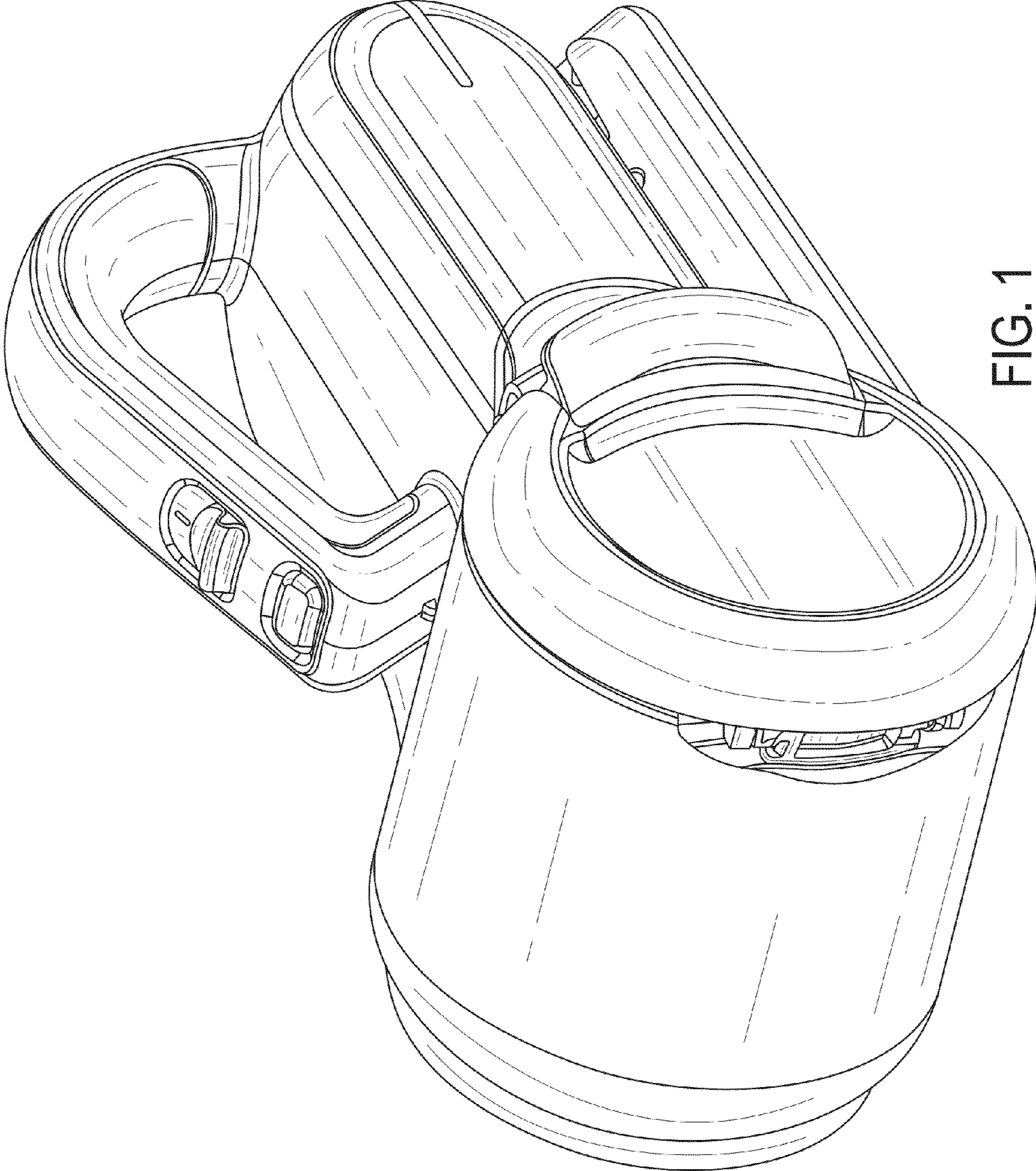


FIG. 1

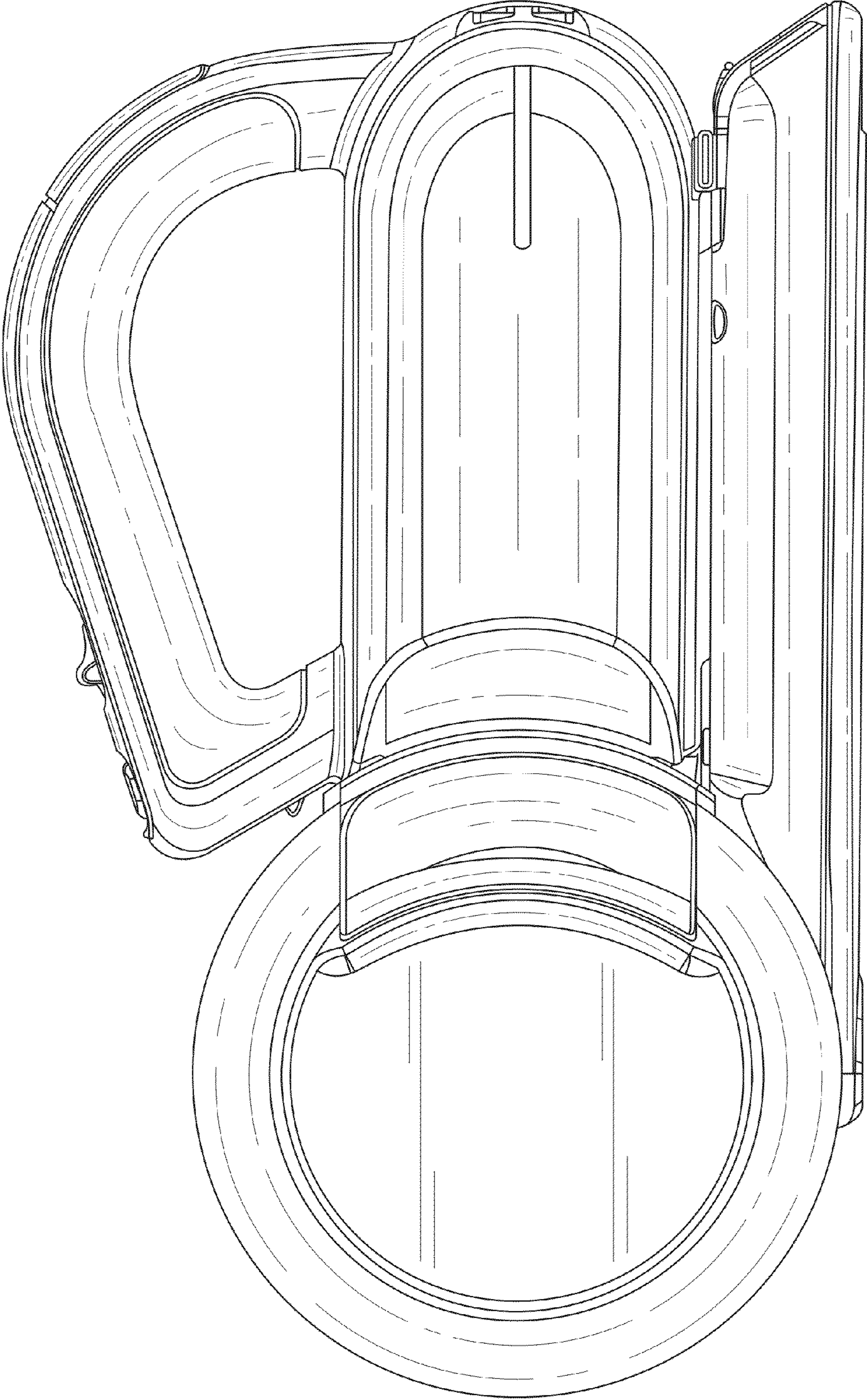


FIG. 2

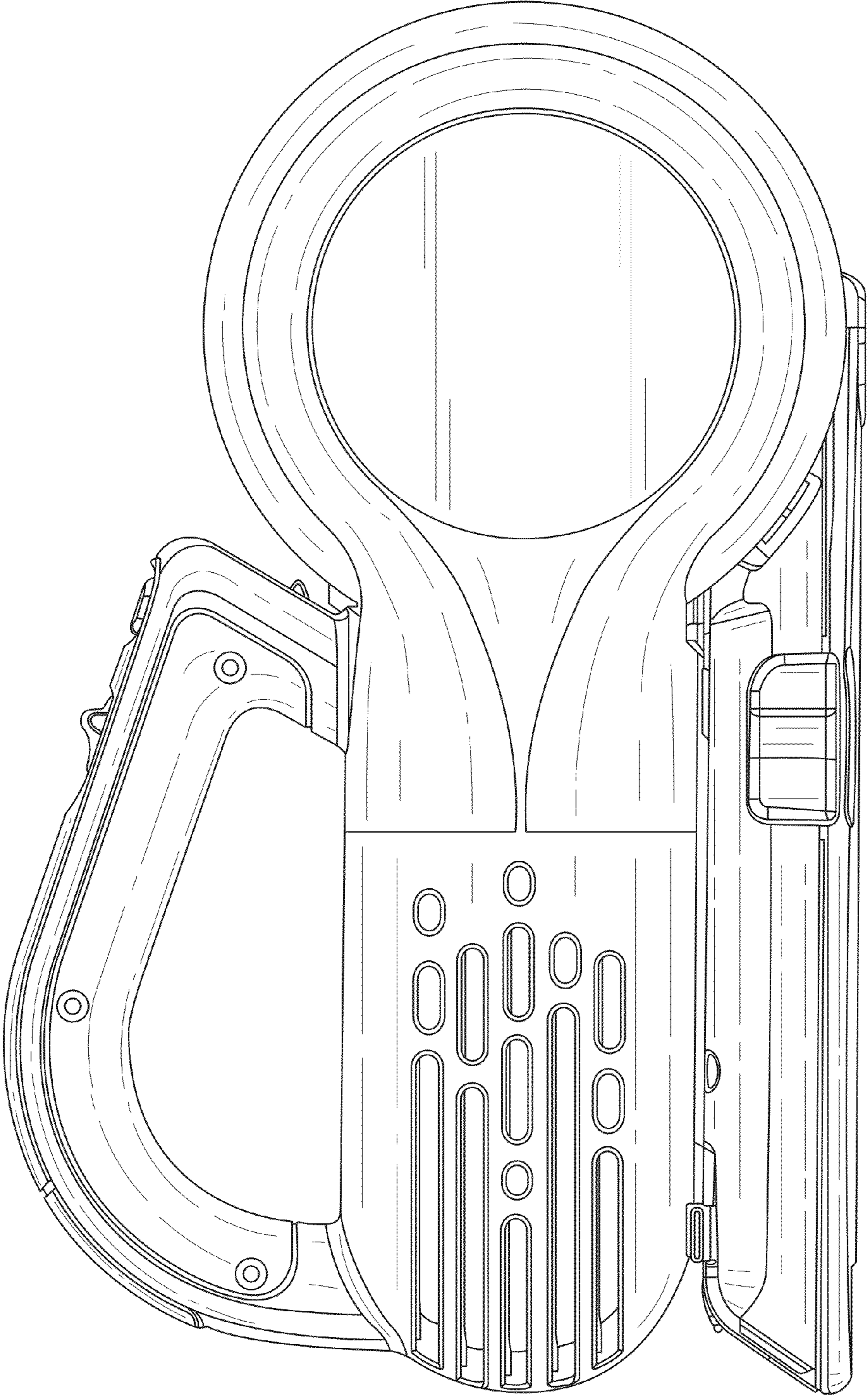


FIG. 3

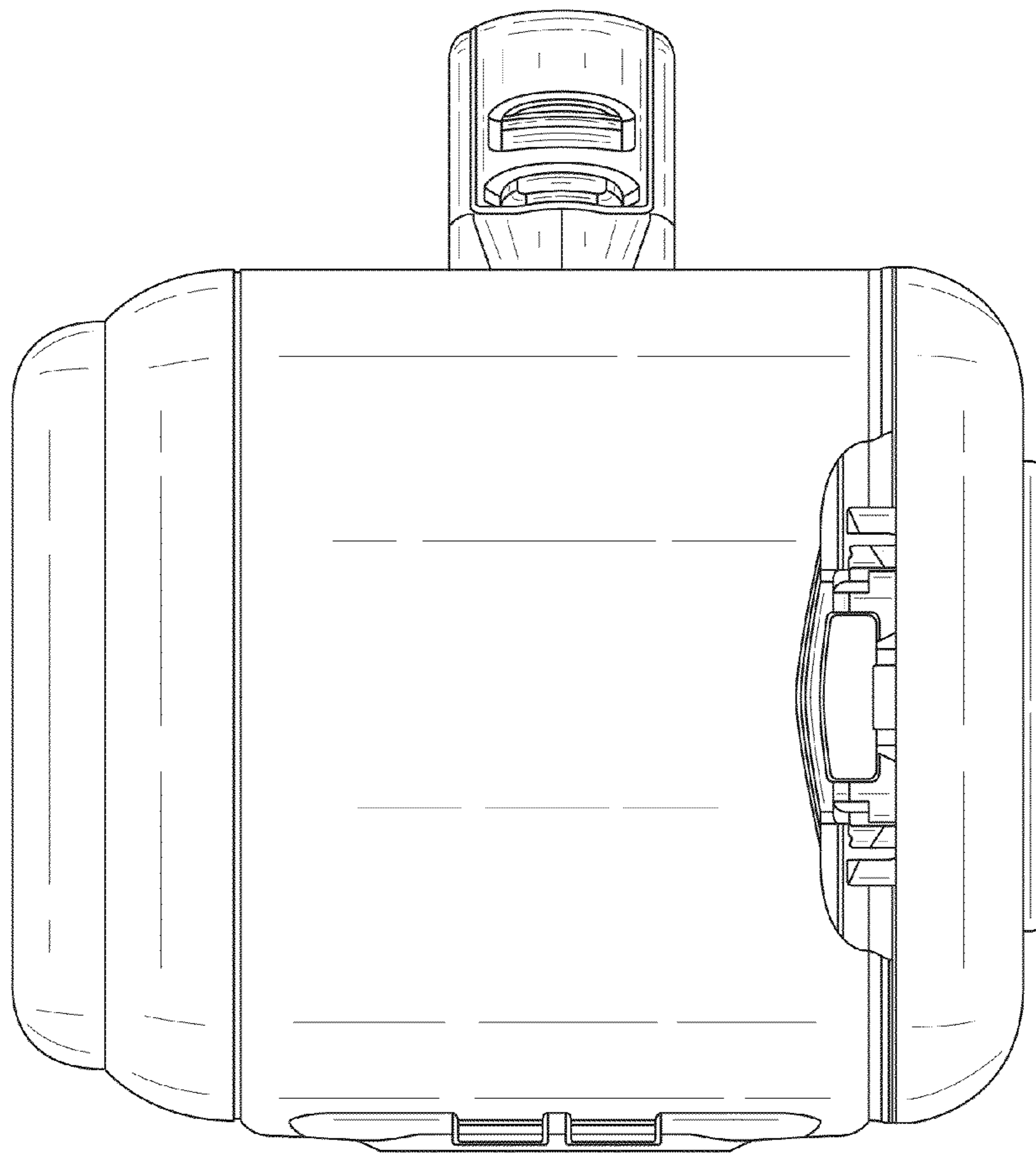


FIG. 4

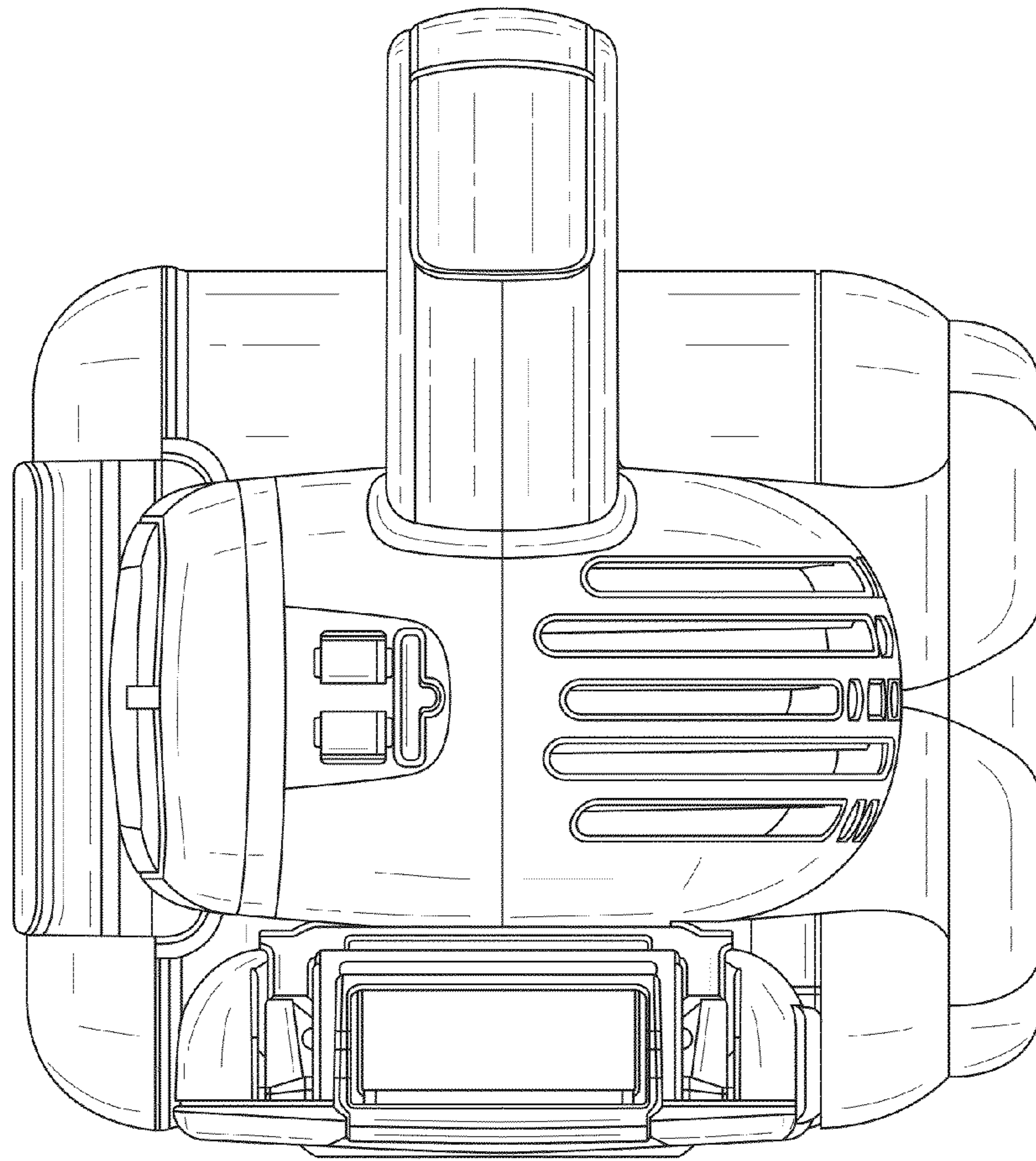


FIG. 5

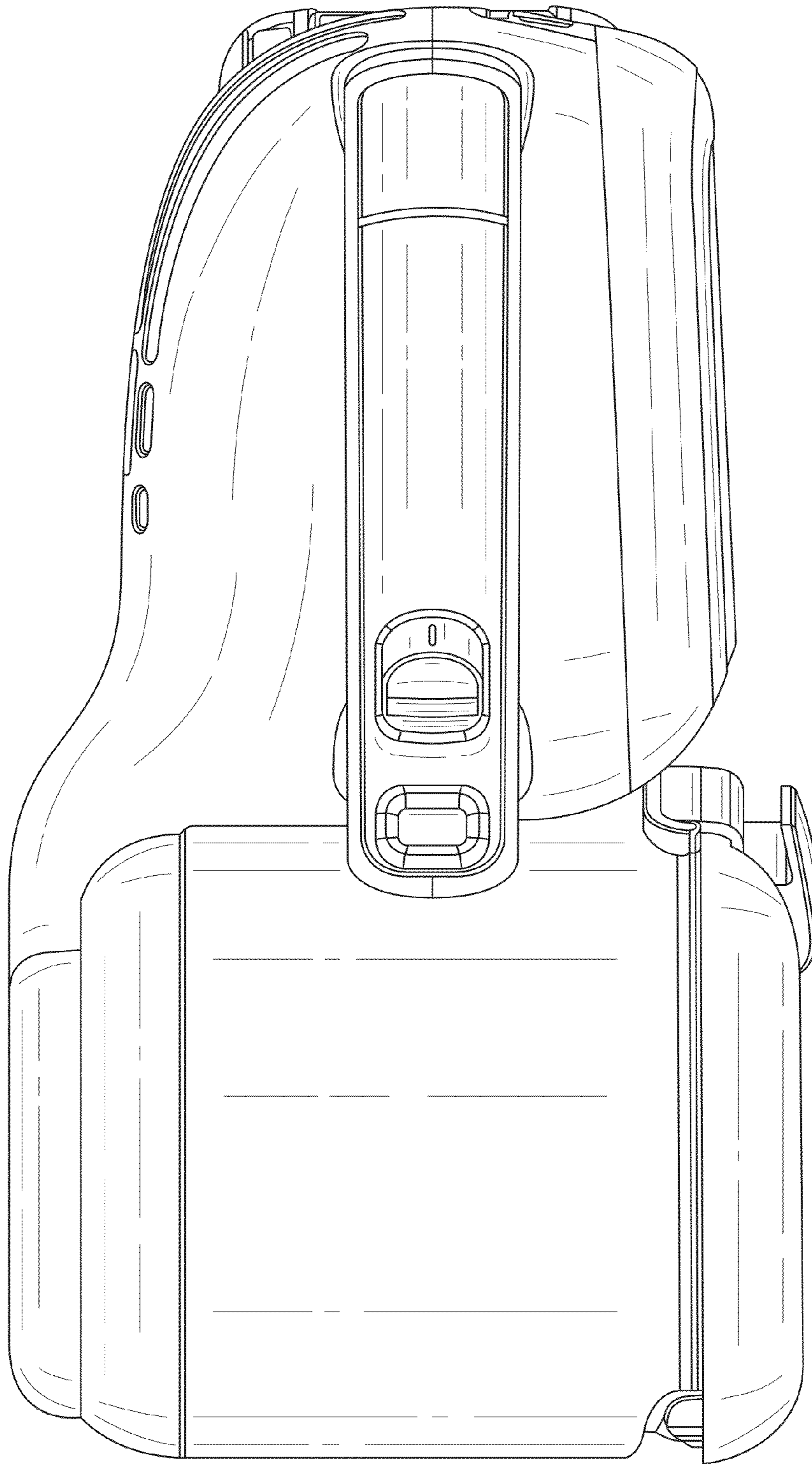


FIG. 6

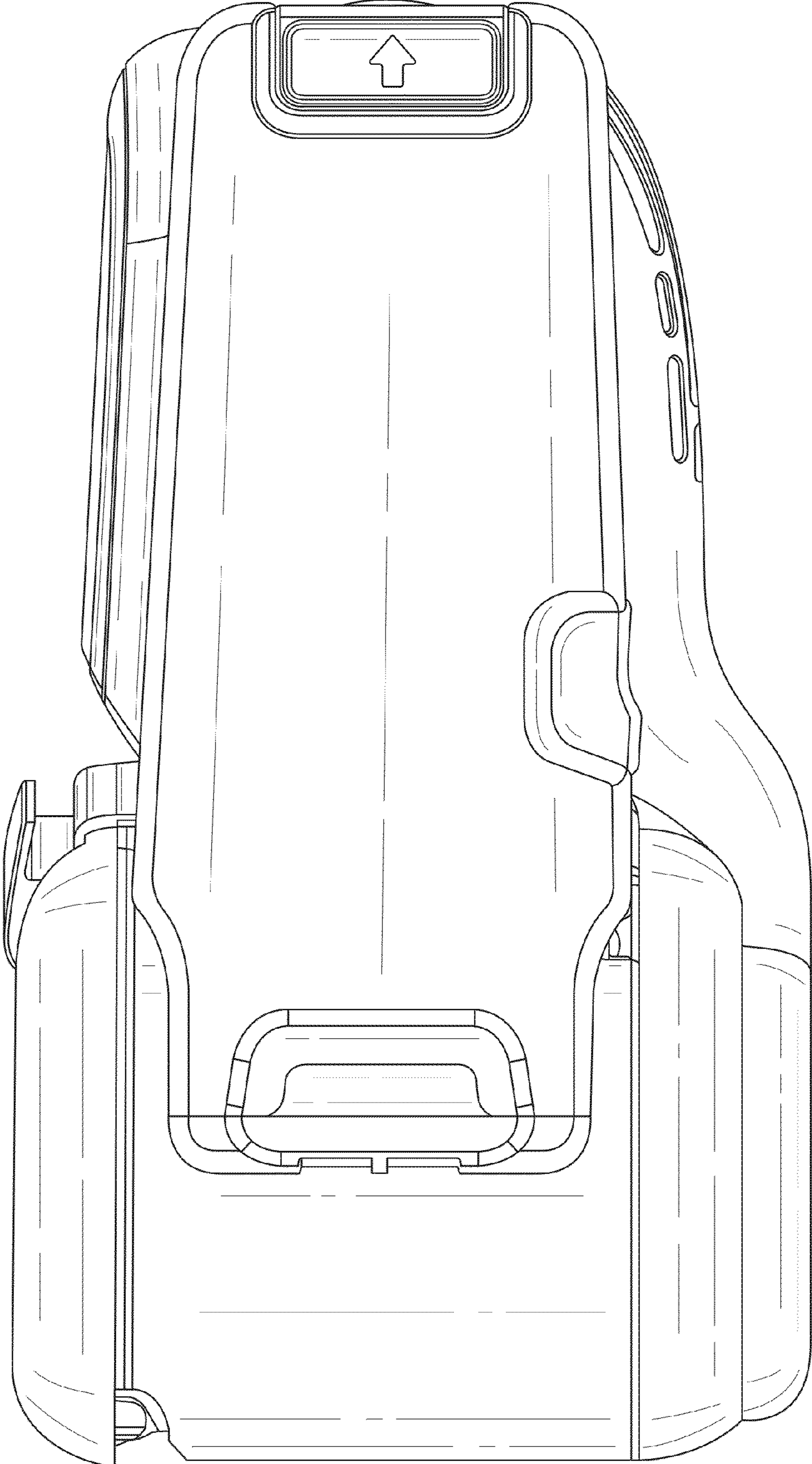


FIG. 7

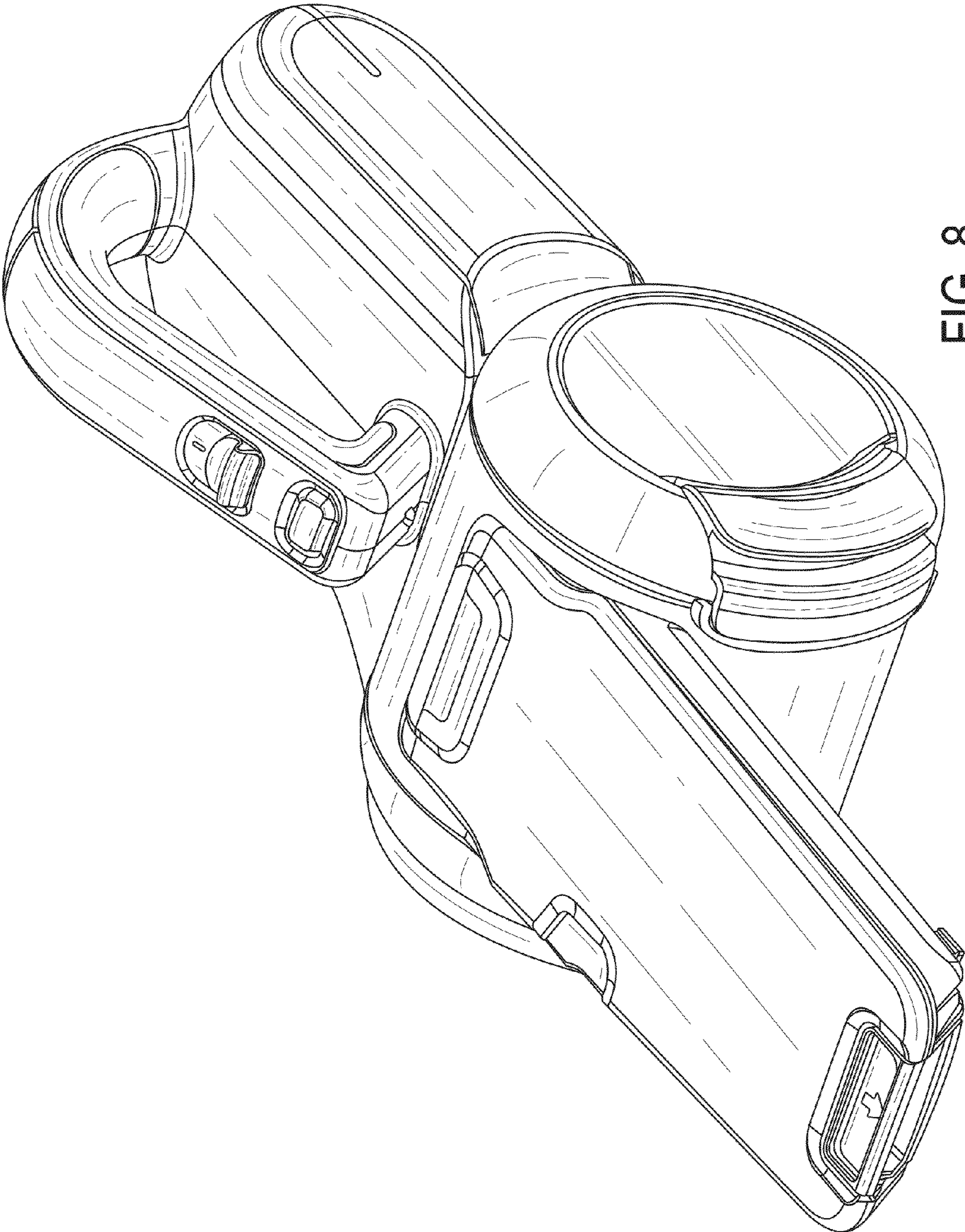


FIG. 8

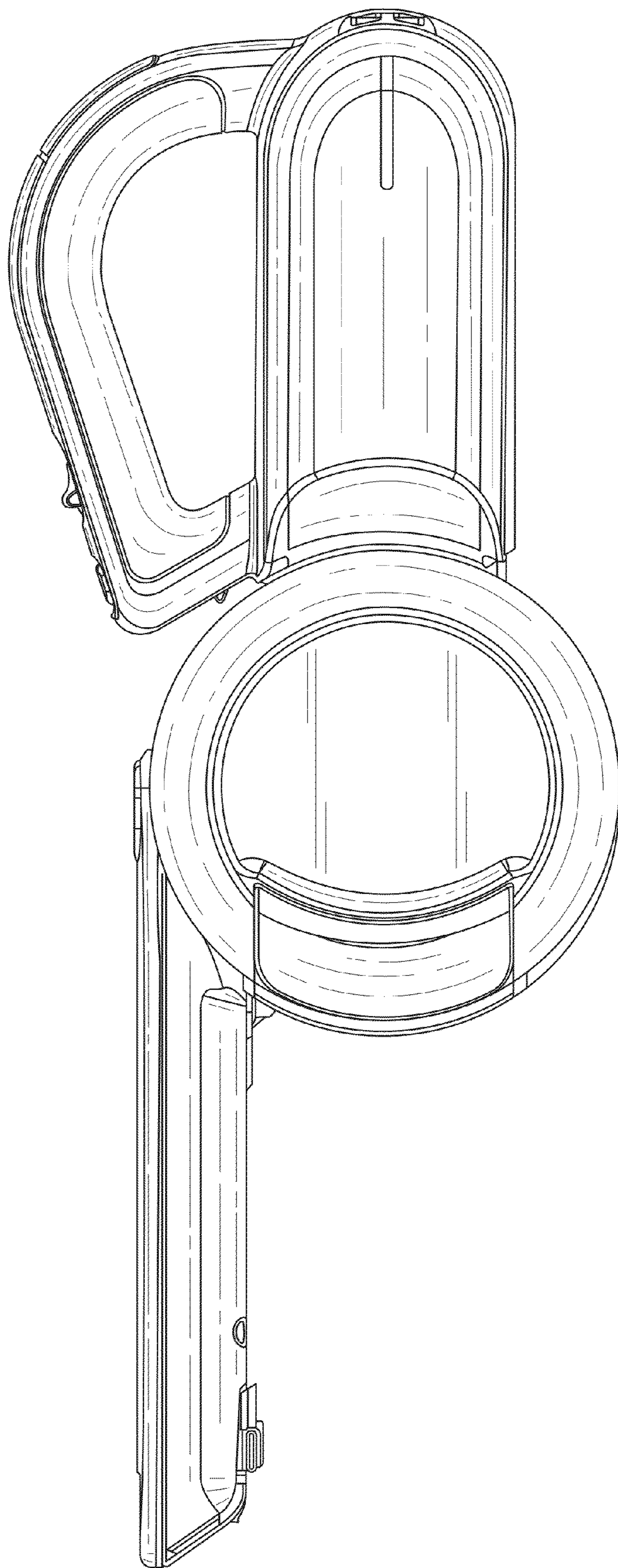


FIG. 9

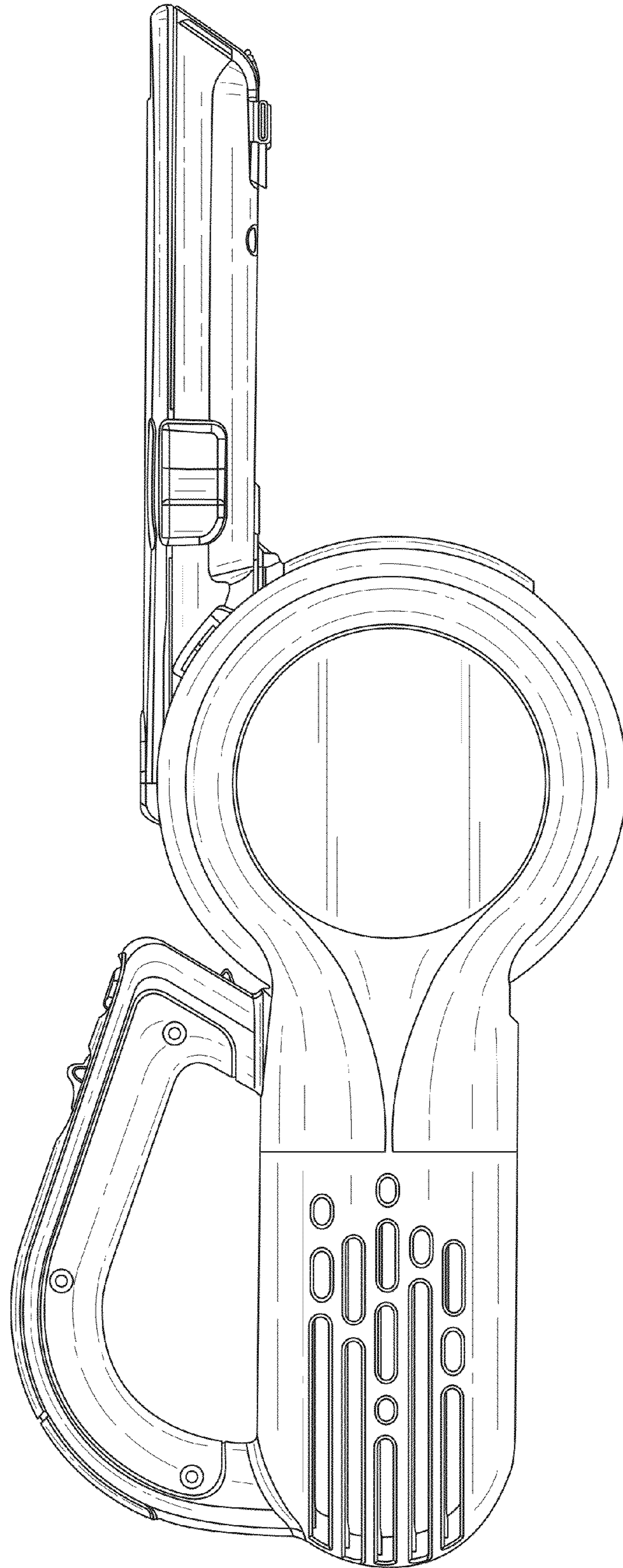


FIG. 10

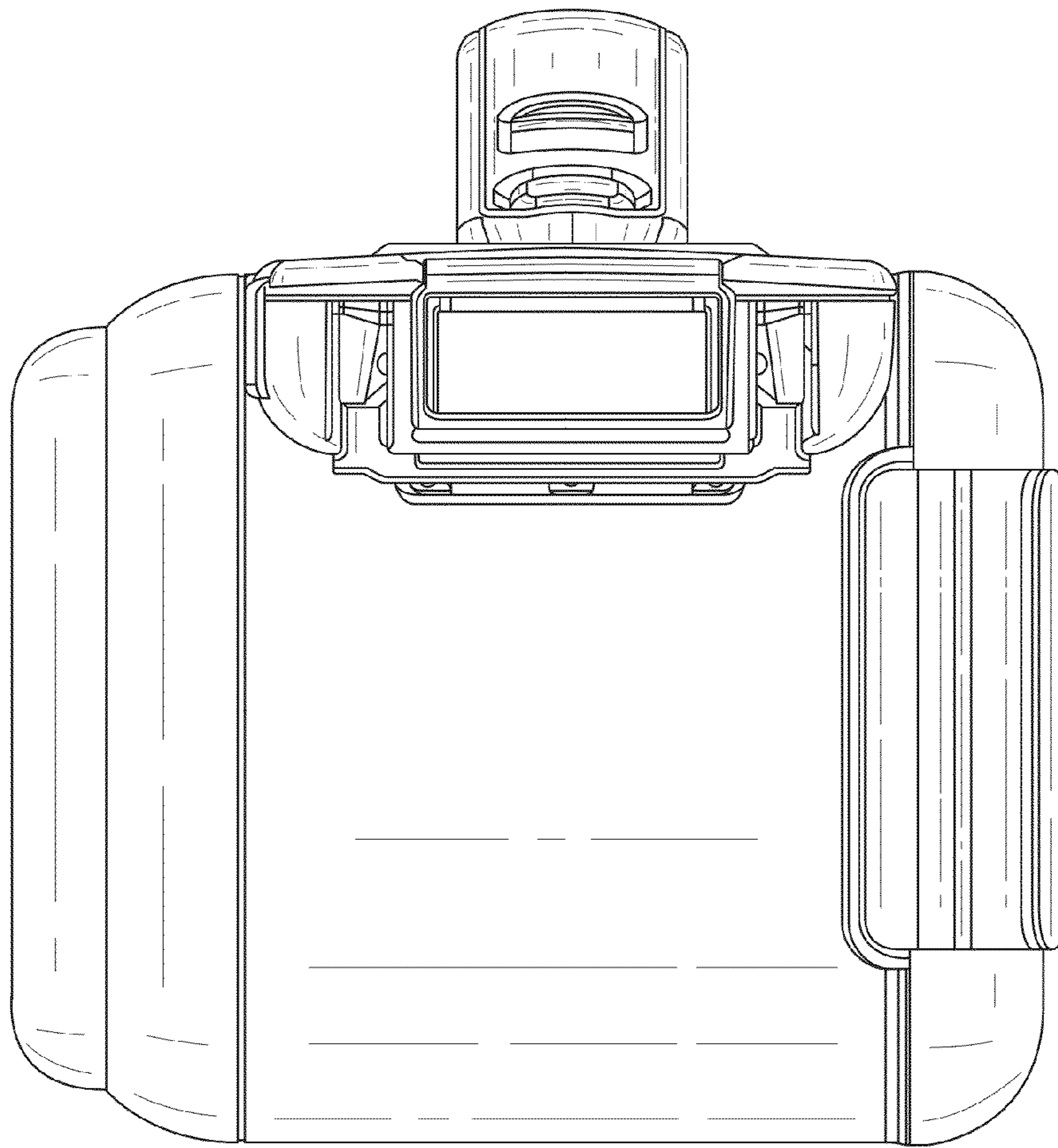


FIG. 11

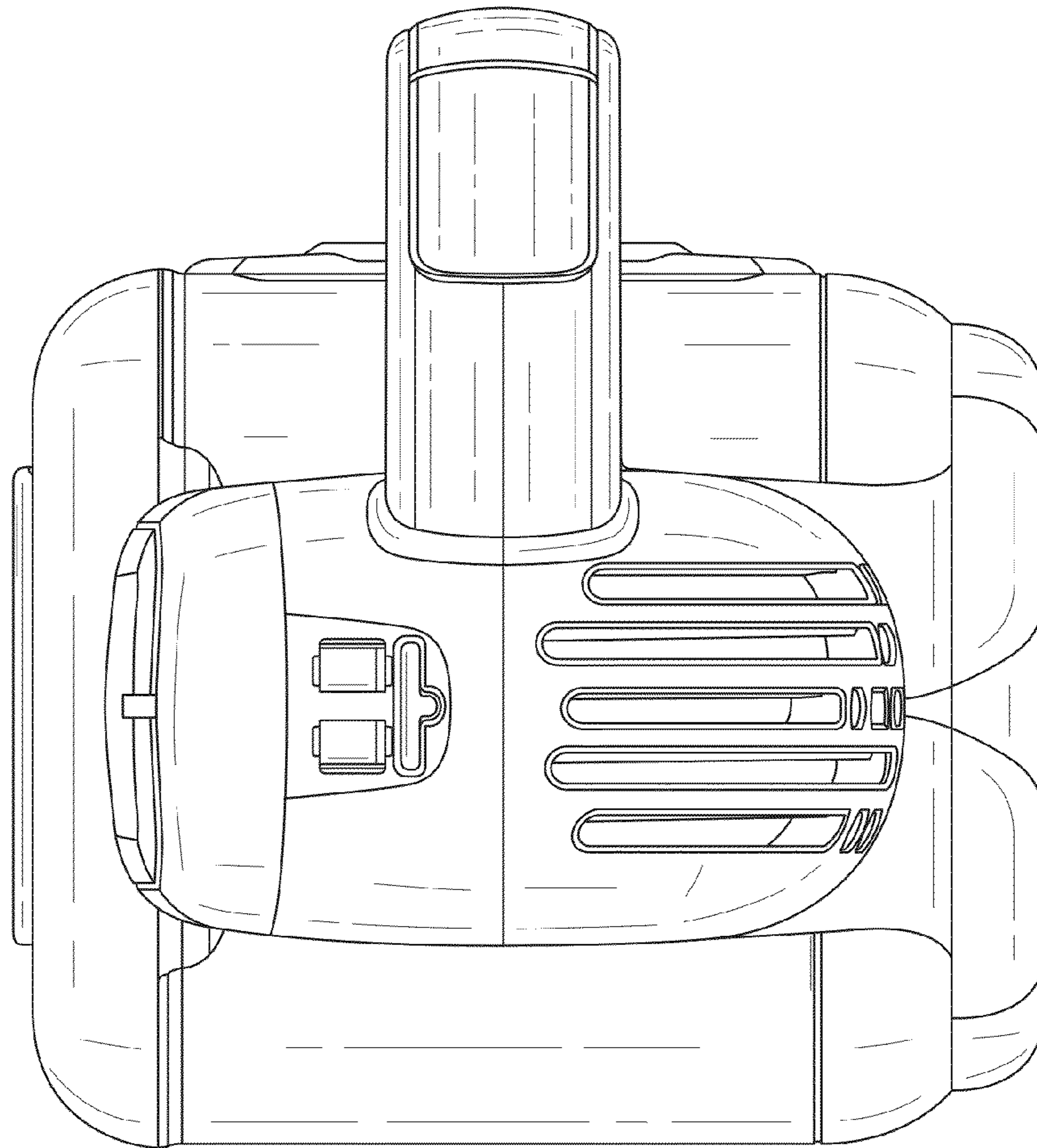


FIG. 12

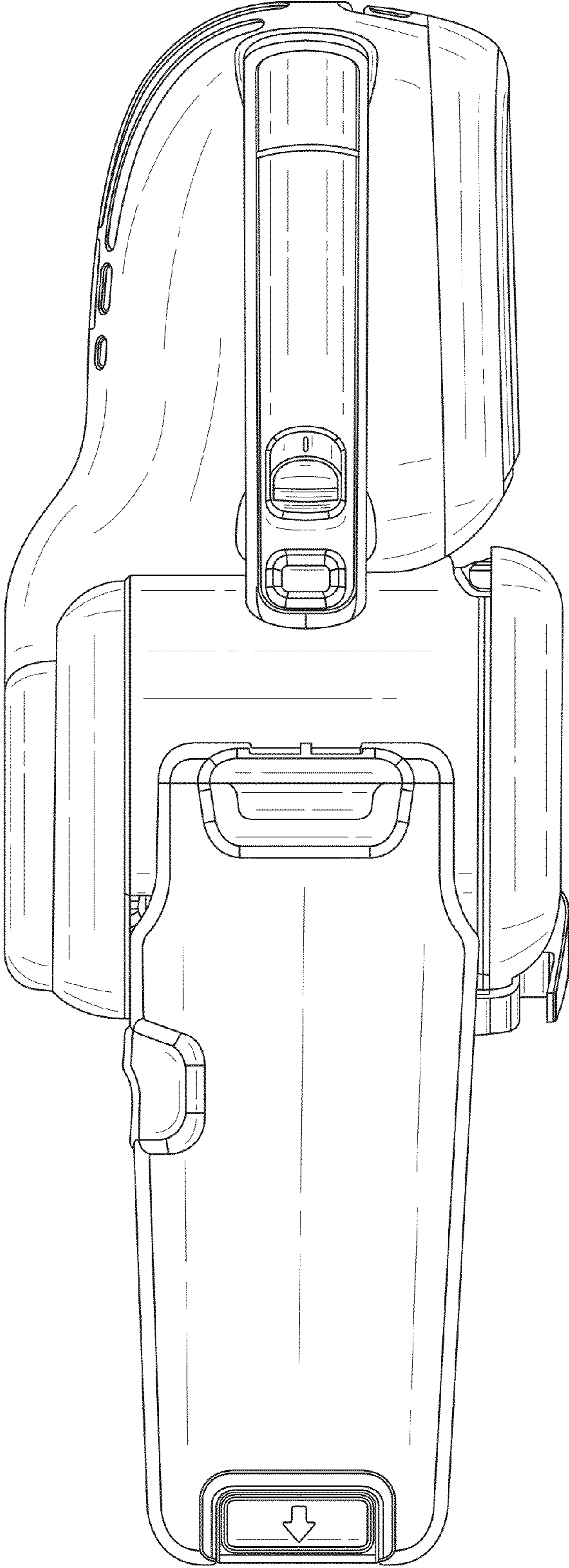


FIG. 13

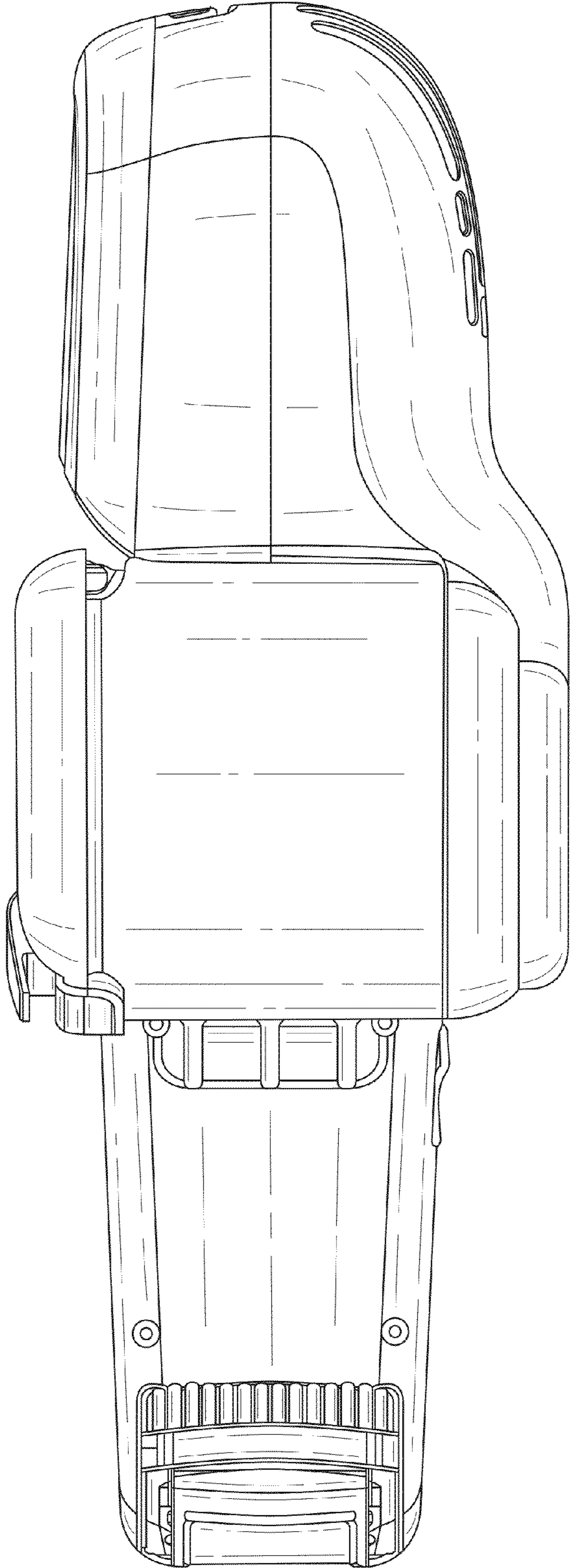


FIG. 14