



US00D726382S

(12) **United States Design Patent**  
**Taylor et al.**

(10) **Patent No.:** **US D726,382 S**  
(45) **Date of Patent:** **\*\* Apr. 7, 2015**

- (54) **PRESSURE WASHER**
- (71) Applicant: **Kärcher North America, Inc.,**  
Englewood, CO (US)
- (72) Inventors: **Shannon L. Taylor**, Vancouver, WA  
(US); **Chris Alan Valentine**, Portland,  
OR (US); **Joseph Samuel Nicolich**,  
Milwaukie, OR (US)
- (73) Assignee: **Kärcher North America, Inc.,**  
Englewood, CO (US)
- (\*\*) Term: **14 Years**
- (21) Appl. No.: **29/451,608**
- (22) Filed: **Apr. 4, 2013**
- (51) **LOC (10) Cl.** ..... **15-05**
- (52) **U.S. Cl.**  
USPC ..... **D32/15**
- (58) **Field of Classification Search**  
USPC ..... D32/1, 21, 16, 23, 31, 15; D21/795;  
D9/502, 688; D23/200; D6/518, 525;  
D34/12; D26/74; 180/291; 280/79.5;  
223/628; 239/16, 146; 248/129  
See application file for complete search history.

- D236,319 S \* 8/1975 Jakubowski ..... D32/21
- D237,035 S \* 10/1975 Berendes et al. .... D32/16
- 3,940,065 A \* 2/1976 Ware et al. .... 239/146
- D243,574 S \* 3/1977 Bartlett ..... D32/23
- D253,951 S \* 1/1980 Waters ..... D32/1
- D254,788 S \* 4/1980 Nauta ..... D32/21
- D255,357 S \* 6/1980 Brooks et al. .... D32/23
- D283,066 S \* 3/1986 Maier ..... D32/23
- D287,171 S \* 12/1986 Berfield et al. .... D32/31
- D306,785 S \* 3/1990 Soto ..... D32/1
- D314,648 S \* 2/1991 Linton ..... D32/16

(Continued)

**FOREIGN PATENT DOCUMENTS**

CA 110563 \* 6/2007

**OTHER PUBLICATIONS**

Hot Box Series, Announced Oct. 26, 2007, [Site Visited Dec. 24, 2014] [http://propowerwashers.com/hot\\_box.html](http://propowerwashers.com/hot_box.html).\*

(Continued)

*Primary Examiner* — John Windmuller

*Assistant Examiner* — Luqman McNeil

(74) *Attorney, Agent, or Firm* — Sheridan Ross P.C.

(57) **CLAIM**

The ornamental design for a pressure washer, as shown and described.

**DESCRIPTION**

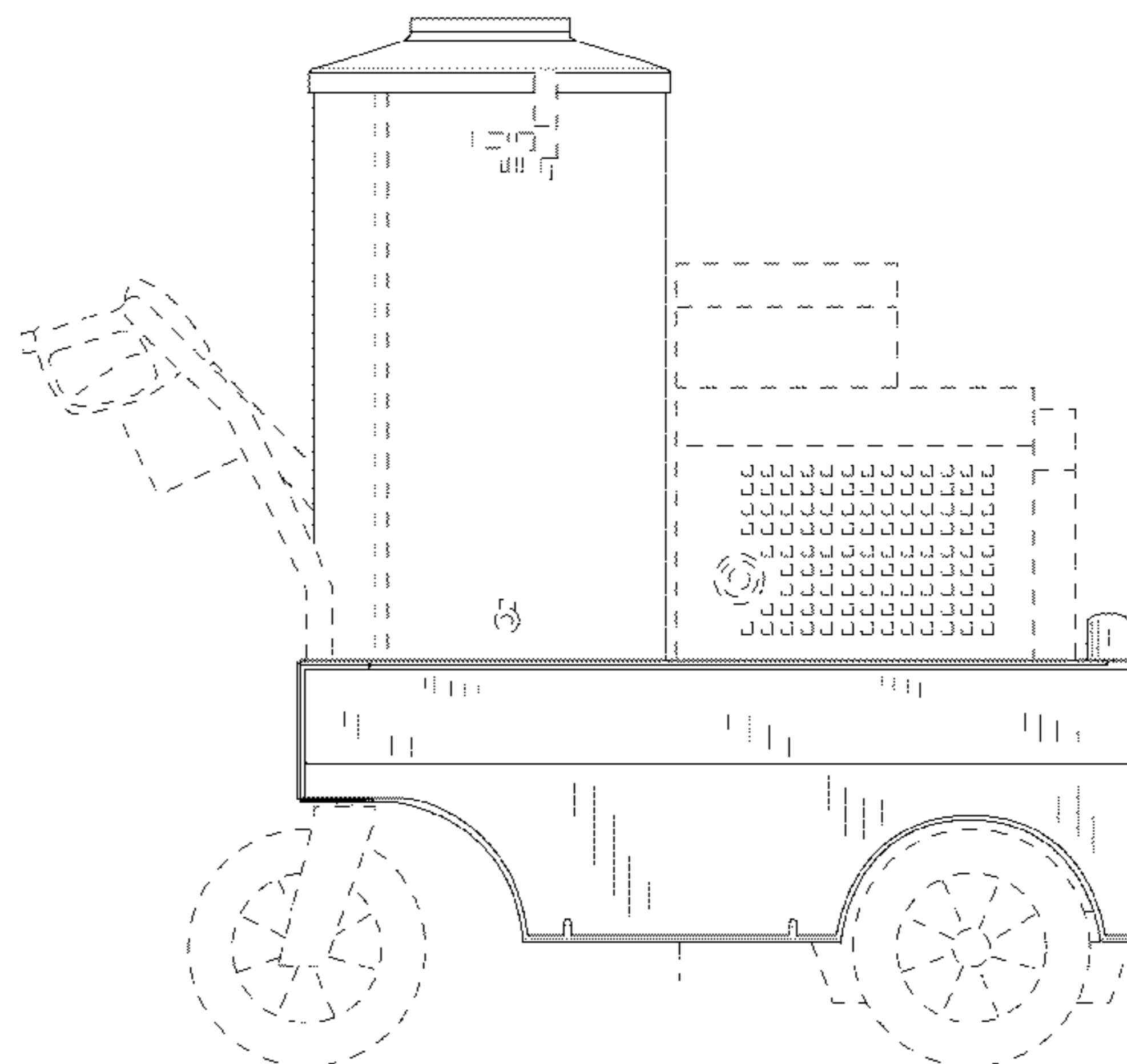
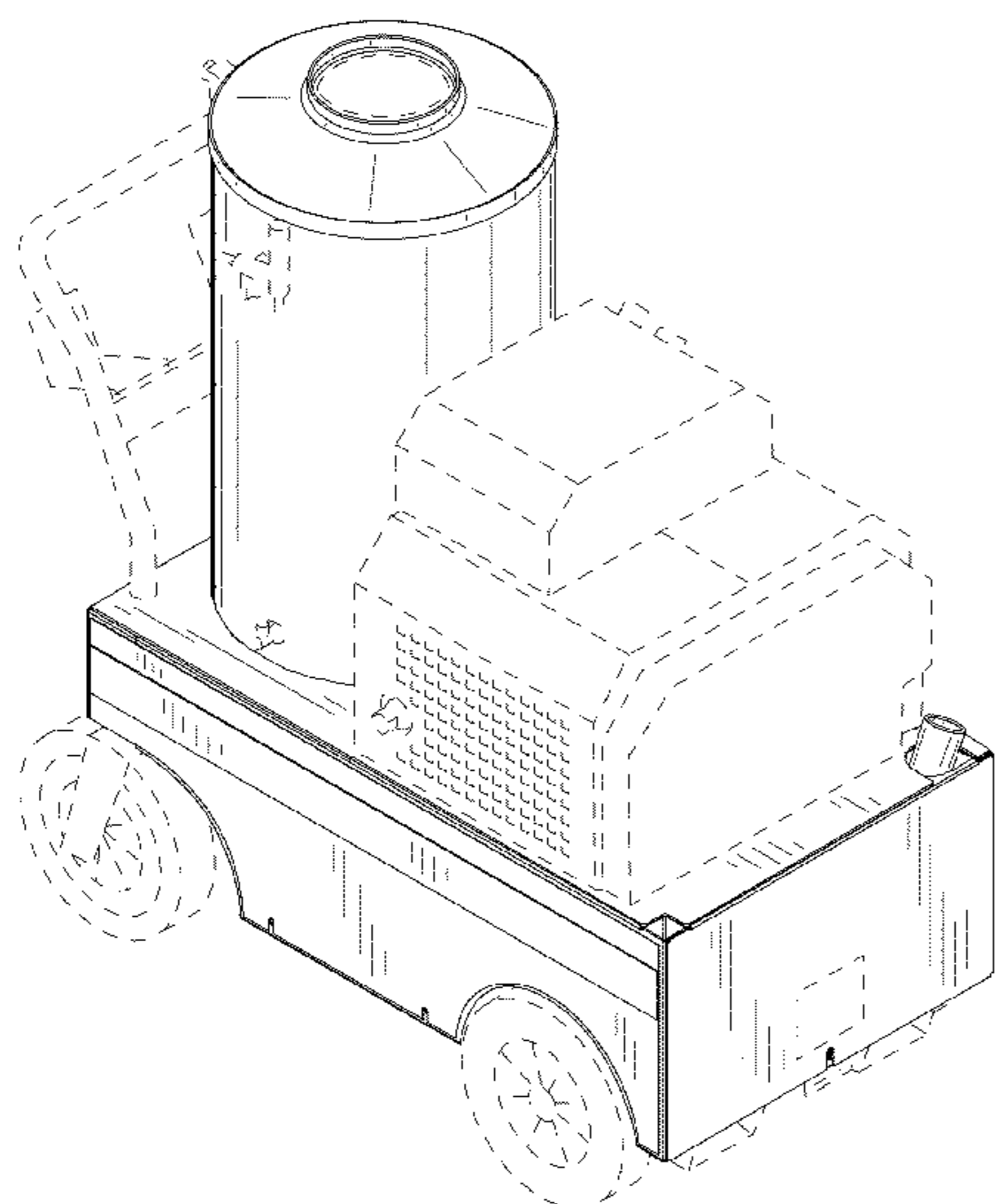
FIG. 1 is a front perspective view of the pressure washer; FIG. 2 is a front elevation view thereof; FIG. 3 is a right elevation view thereof; FIG. 4 is a left elevation view thereof; FIG. 5 is a rear elevation view thereof; and, FIG. 6 is a top plan view thereof.

The broken lines showing a pressure washer are included for the purpose of illustrating environment and form no part of the claimed design.

**1 Claim, 4 Drawing Sheets**

(56) **References Cited**  
**U.S. PATENT DOCUMENTS**

- D42,753 S \* 7/1912 Hershey ..... D32/21
- 1,866,106 A \* 7/1932 Herlihy ..... 222/628
- D117,972 S \* 12/1939 Failmezger ..... D32/21
- D156,217 S \* 11/1949 Currie ..... D32/16
- D156,267 S \* 11/1949 Paine ..... D32/16
- 2,596,074 A \* 5/1952 Hawes ..... 239/127
- D208,398 S \* 8/1967 Otto et al. .... D32/16
- D212,746 S \* 11/1968 Fishman ..... D32/1
- D212,777 S \* 11/1968 Anderson ..... D32/1
- D221,021 S \* 6/1971 Jones ..... D32/21
- D233,361 S \* 10/1974 Norden ..... D21/795
- D233,545 S \* 11/1974 Johns ..... D32/16



(56)

**References Cited**

U.S. PATENT DOCUMENTS

D321,644 S \* 11/1991 Katada et al. .... D9/502  
D341,008 S \* 11/1993 Berfield et al. .... D32/1  
5,299,767 A \* 4/1994 Simpson ..... 248/129  
D357,728 S \* 4/1995 Carano ..... D23/200  
D360,790 S \* 8/1995 Landis et al. .... D6/518  
D374,316 S \* 10/1996 Niemela et al. .... D32/1  
D375,590 S \* 11/1996 Steinhart et al. .... D32/15  
D381,393 S \* 7/1997 Carano ..... D23/200  
D406,417 S \* 3/1999 Linton et al. .... D32/1  
D444,279 S \* 6/2001 Kristiansen et al. .... D34/12  
6,279,838 B1 \* 8/2001 Sivells et al. .... 239/146  
D480,629 S \* 10/2003 Cabrera ..... D9/688  
D529,670 S \* 10/2006 Hendy ..... D32/15

D533,321 S \* 12/2006 Peng ..... D32/21  
7,316,286 B2 \* 1/2008 Hillary ..... 180/291  
D570,058 S \* 5/2008 Watson et al. .... D32/1  
D572,059 S \* 7/2008 Richardson et al. .... D6/525  
7,871,090 B2 \* 1/2011 Staub ..... 280/79.5  
D642,317 S \* 7/2011 Rashidi ..... D26/74

OTHER PUBLICATIONS

The NorthStar Wet Steam and Hot Water 3000psi Pressure Washer,  
Announced Mar. 24, 2011, [Site Visited Dec. 24, 2014]<http://www.pressurewasher-steamcleaner.com/honda-pressure-washer.html>.  
U.S. Appl. No. 29/451,607, filed Apr. 4, 2013, Taylor et al.  
U.S. appl. No. 29/453,792, filed May 2, 2013, Linton et al.

\* cited by examiner

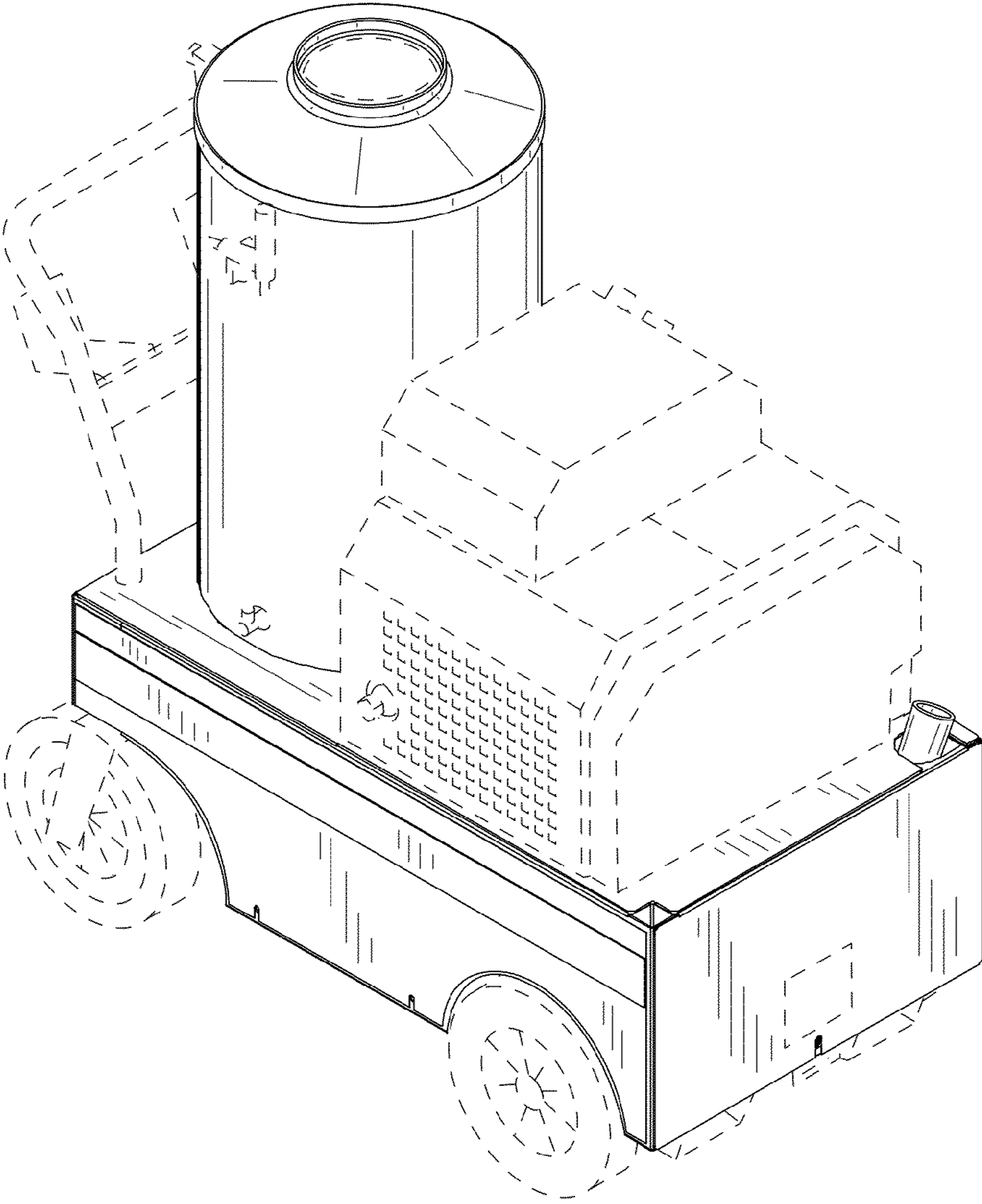


FIG.1

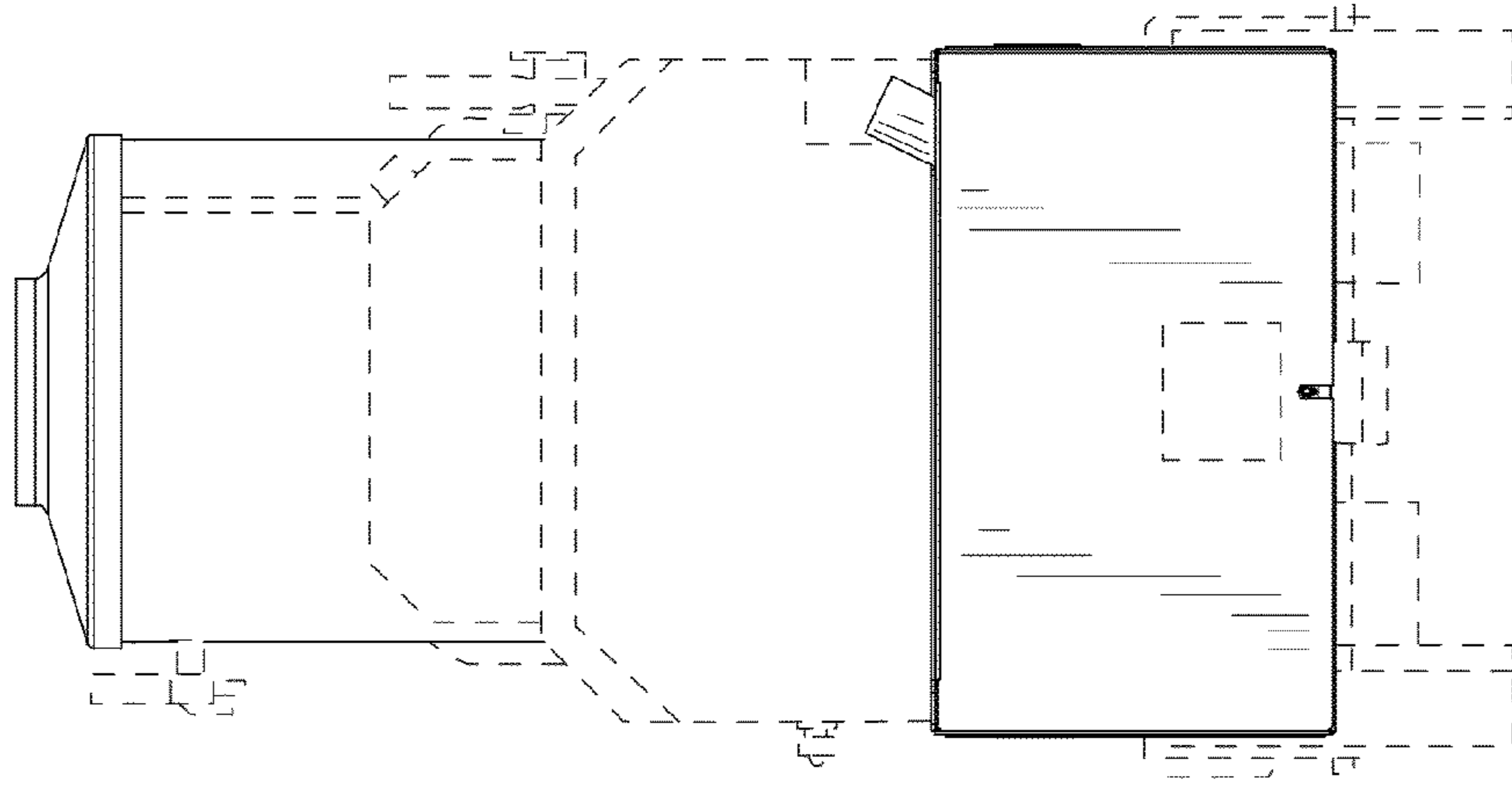


FIG.3

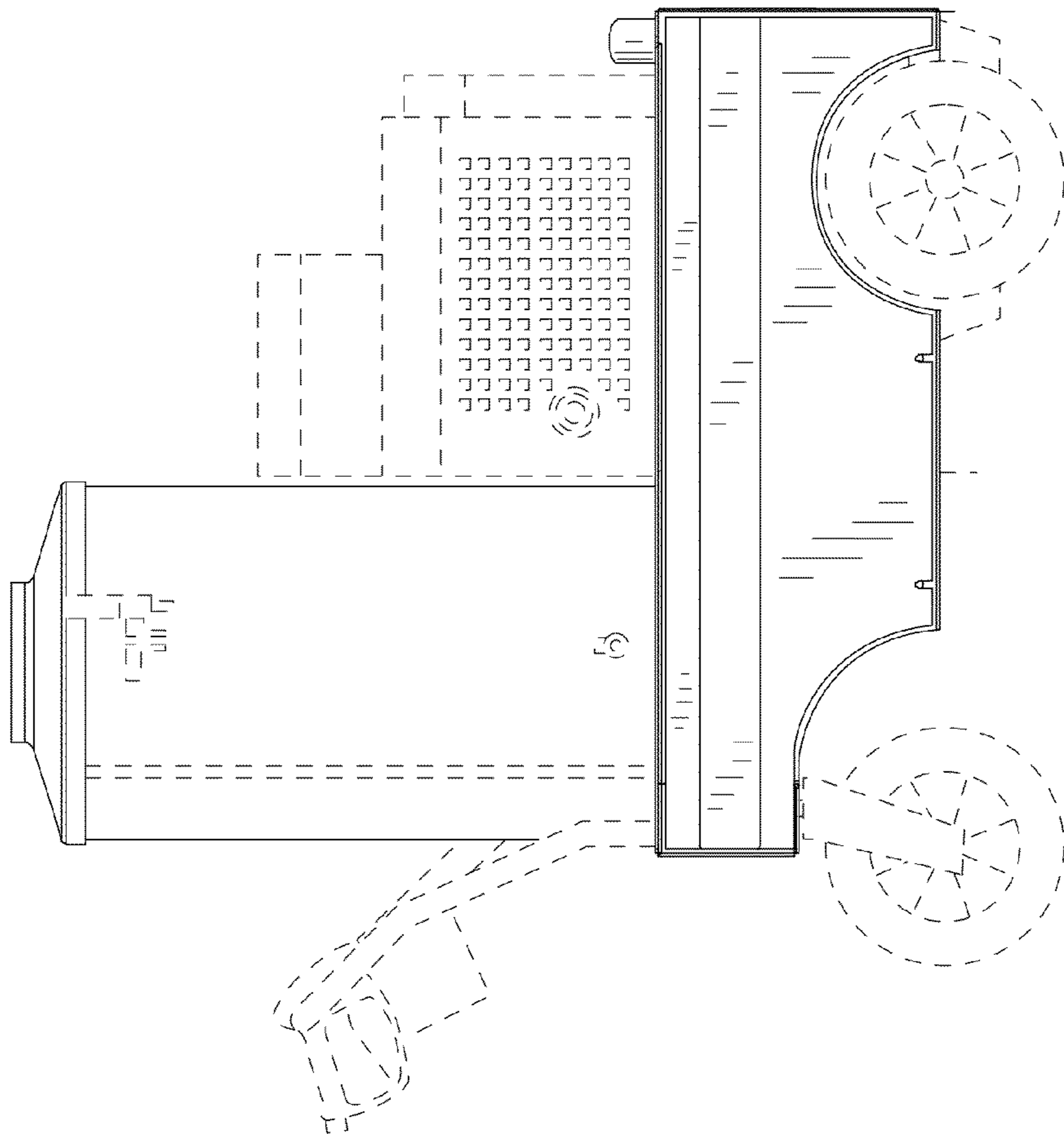


FIG.2

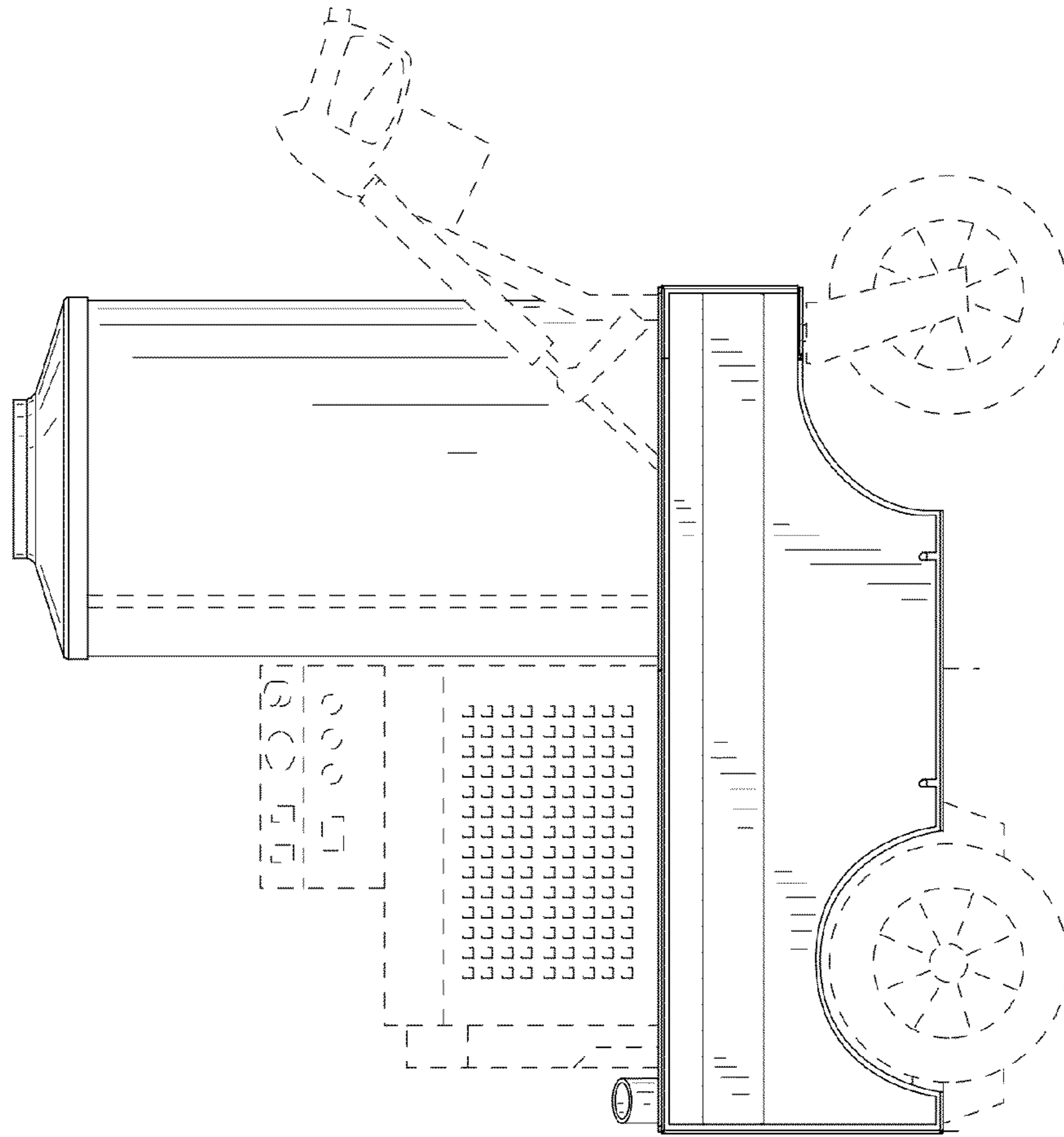


FIG.5

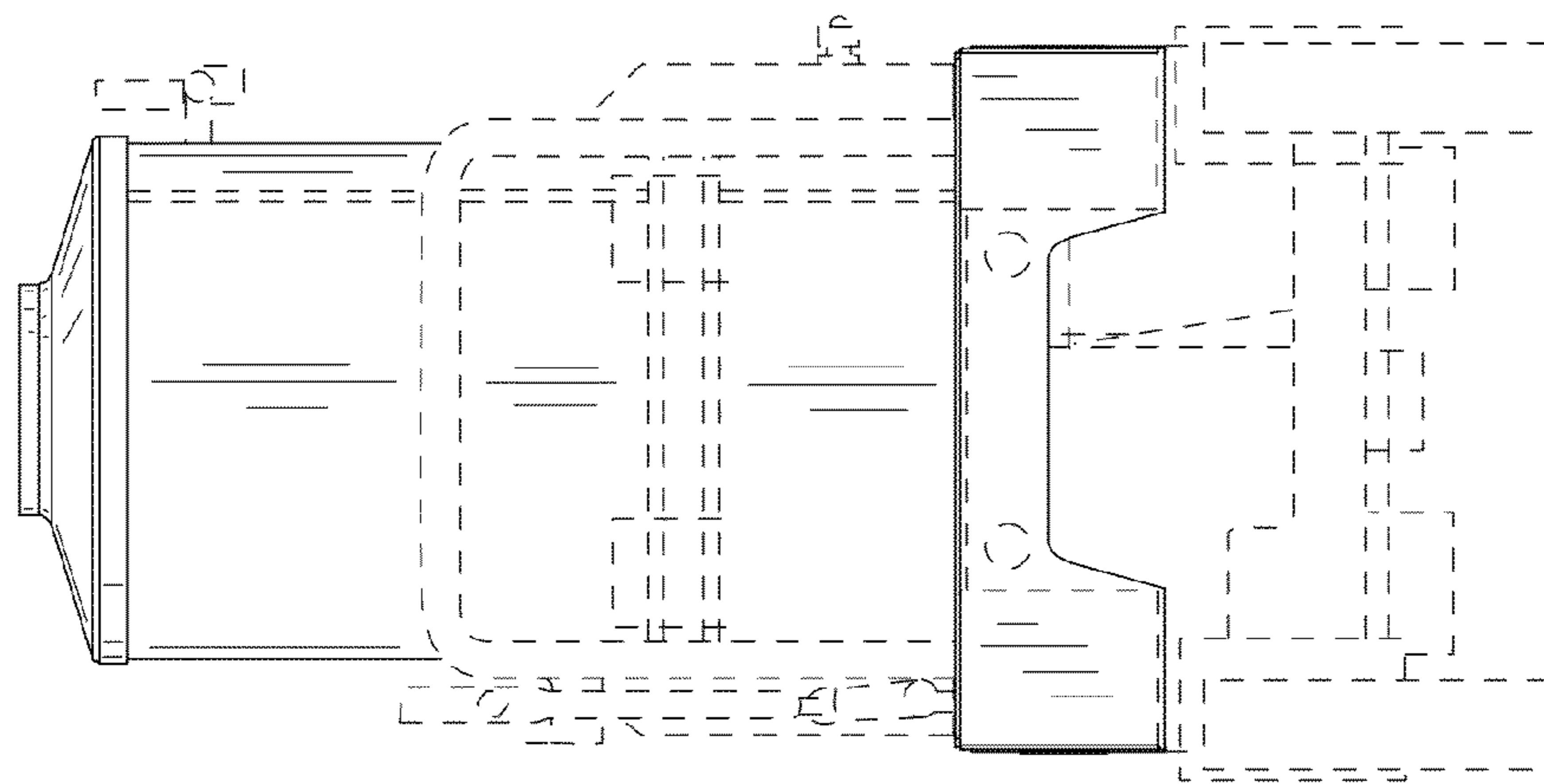


FIG.4

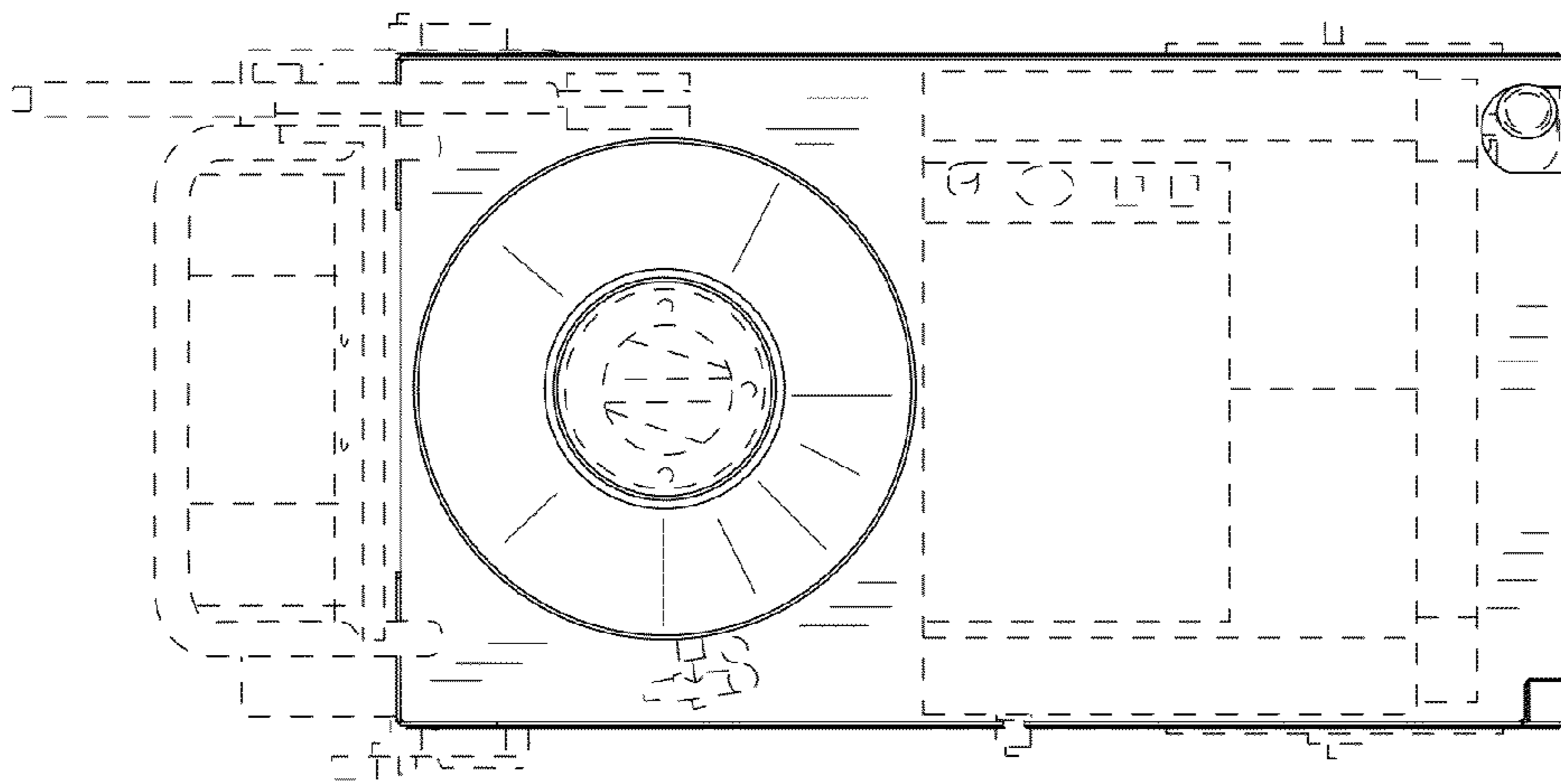


FIG.6