



US00D726381S

(12) **United States Design Patent**
Richardson et al.

(10) **Patent No.:** **US D726,381 S**

(45) **Date of Patent:** **** Apr. 7, 2015**

(54) **FOLD-OUT PET BED**

(71) Applicants: **Edward Emile Richardson**, Austin, TX
(US); **April Marie Clark**, Austin, TX
(US)

(72) Inventors: **Edward Emile Richardson**, Austin, TX
(US); **April Marie Clark**, Austin, TX
(US)

(**) Term: **14 Years**

(21) Appl. No.: **29/442,959**

(22) Filed: **Jun. 20, 2013**

(51) **LOC (10) Cl.** **30-06**

(52) **U.S. Cl.**
USPC **D30/118**

(58) **Field of Classification Search**
USPC D30/118; D6/333, 382–384, 388, 390,
D6/392–394, 595–596, 598, 604; 119/28.5
See application file for complete search history.

(56) **References Cited**

U.S. PATENT DOCUMENTS

4,198,718	A *	4/1980	Ballard	119/499
5,211,130	A *	5/1993	Elias et al.	119/28.5
D366,800	S *	2/1996	Moore, Jr.	D6/601
6,516,745	B1 *	2/2003	Spires et al.	119/28.5
D490,122	S *	5/2004	Box et al.	D21/520
D503,548	S *	4/2005	Peters	D6/335

D567,456	S *	4/2008	Martin et al.	D30/118
D631,207	S *	1/2011	Shing	D30/118
8,430,060	B2 *	4/2013	Hoffman et al.	119/28.5
8,448,601	B2 *	5/2013	Boyer et al.	119/28.5
8,662,014	B1 *	3/2014	Harrell	119/28.5
2005/0211175	A1 *	9/2005	Johnson	119/28.5
2006/0118051	A1 *	6/2006	Lima	119/28.5

* cited by examiner

Primary Examiner — Cathy A MacCormac

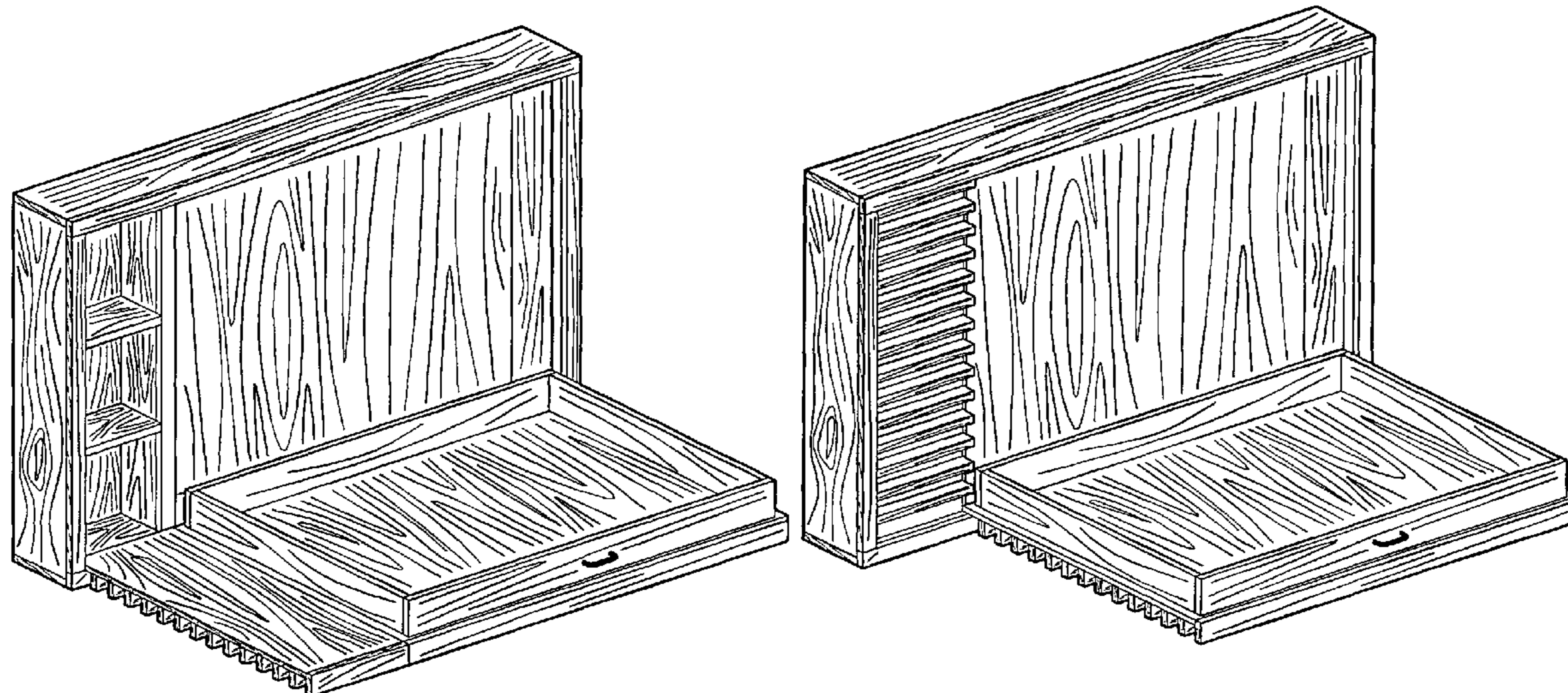
(57) **CLAIM**

The ornamental design for a fold-out pet bed, as shown and described.

DESCRIPTION

FIG. 1 is a top, front and left side isometric view of the fold-out pet bed in its fully closed position;
 FIG. 2 is another isometric view of the fold-out pet bed in its fully open position;
 FIG. 3 is another isometric view of the fold-out pet bed in its partially open position; and,
 FIG. 4 is another isometric view of the fold-out pet bed in an alternate partially open position.
 The bottom of the fold-out pet bed is flat and unornamented and not being claimed.
 The back of the fold-out pet bed is flat and unornamented and not being claimed.
 The right side of the fold-out pet bed is flat and unornamented and not being claimed.

1 Claim, 2 Drawing Sheets



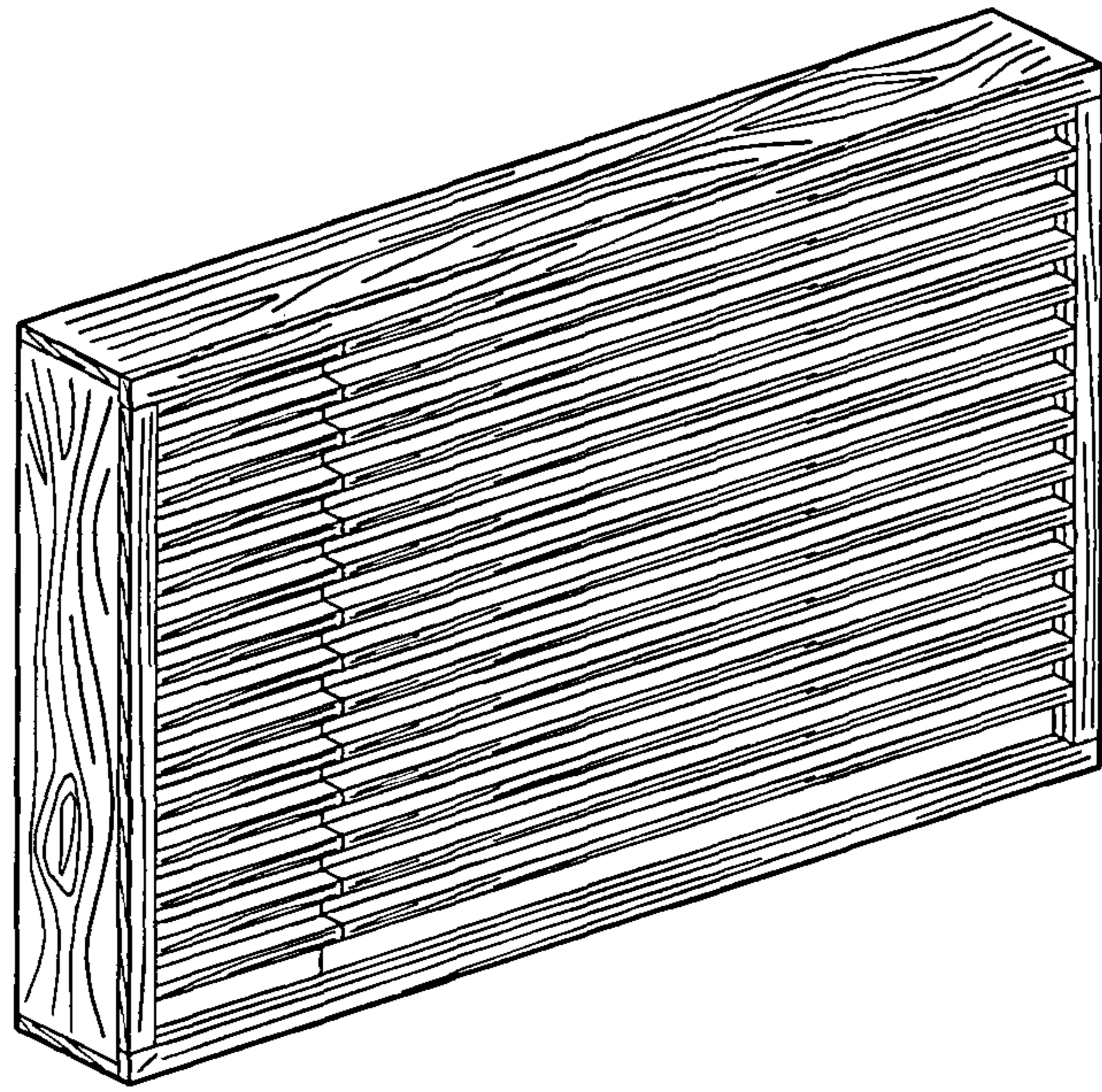


FIG. 1

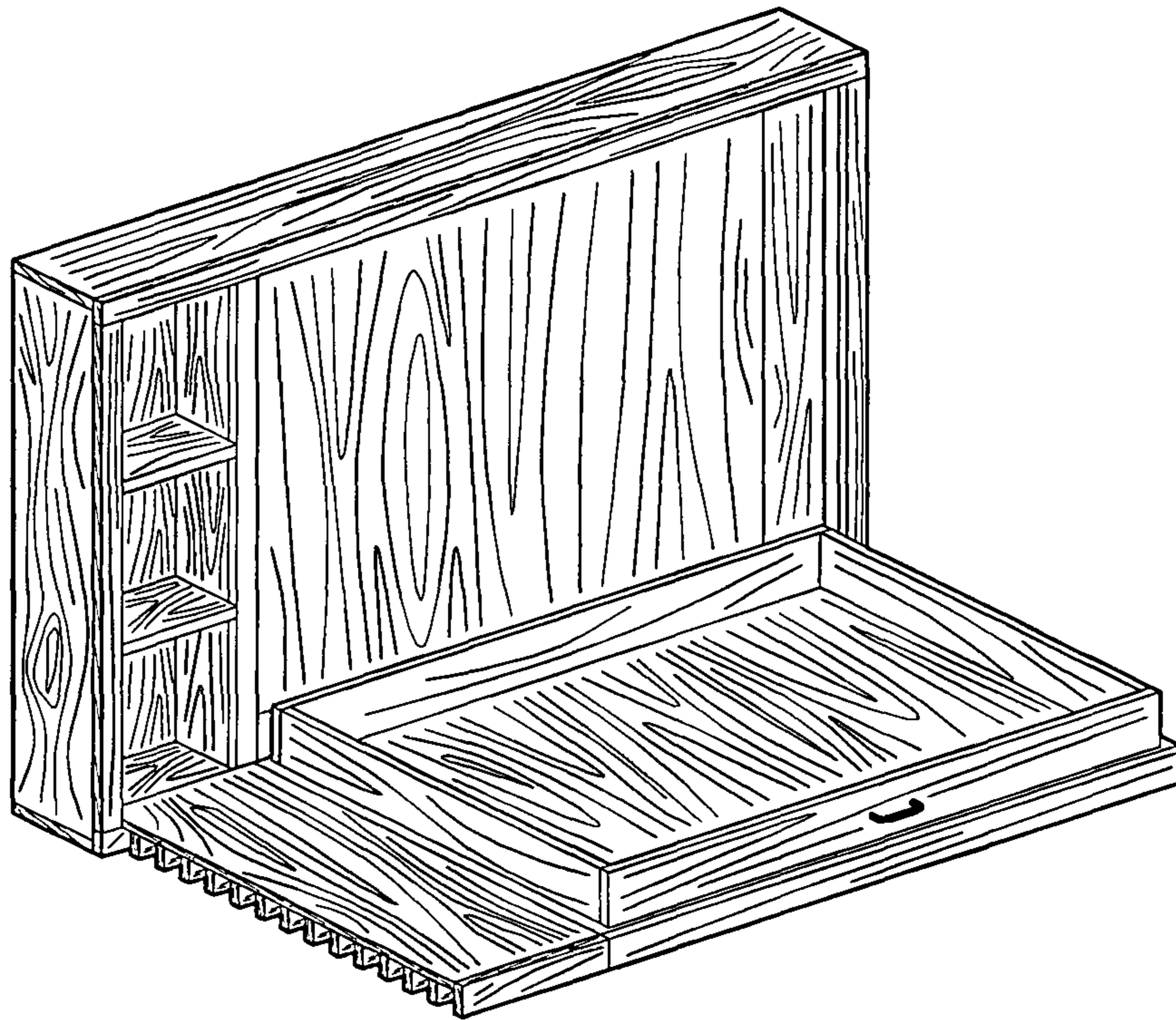


FIG. 2

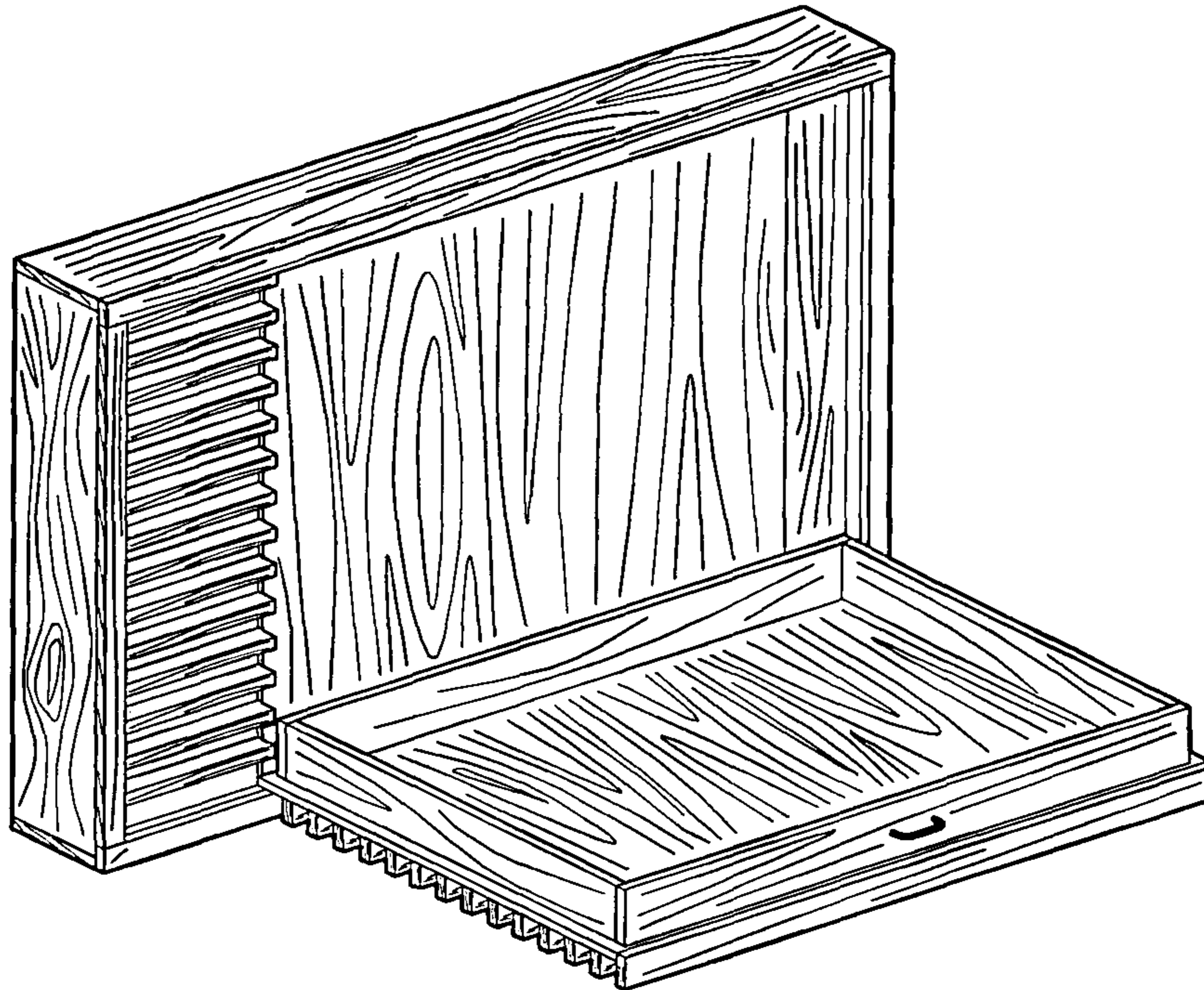


FIG. 3

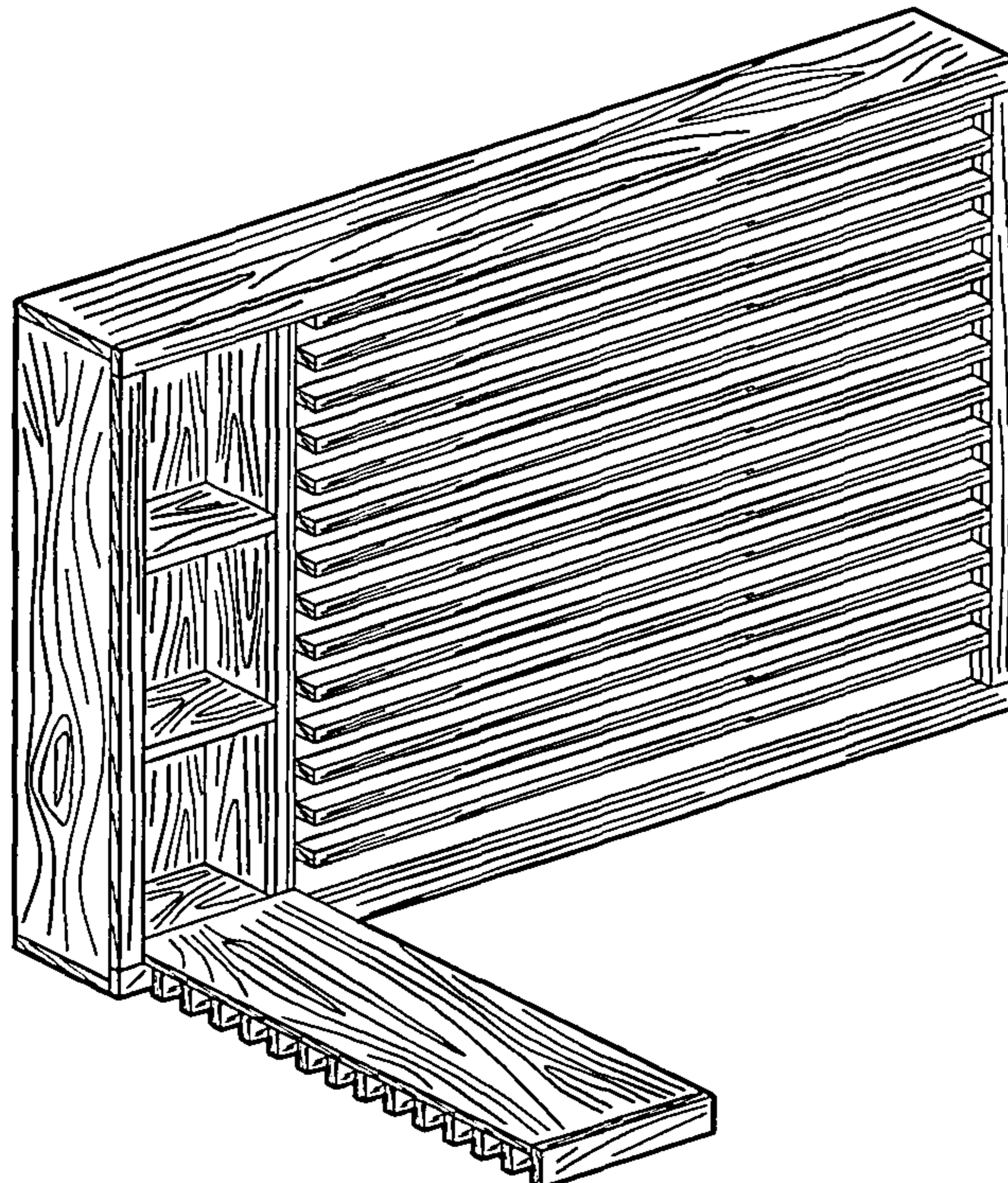


FIG. 4