



US00D726375S

(12) **United States Design Patent**
Huang

(10) **Patent No.:** **US D726,375 S**

(45) **Date of Patent:** **** Apr. 7, 2015**

(54) **BATH PUFF**

(71) Applicant: **Chu-Chau Huang**, New Taipei (TW)

(72) Inventor: **Chu-Chau Huang**, New Taipei (TW)

(**) Term: **14 Years**

(21) Appl. No.: **29/445,148**

(22) Filed: **Feb. 7, 2013**

(51) **LOC (10) Cl.** **28-03**

(52) **U.S. Cl.**

USPC **D28/63**

(58) **Field of Classification Search**

CPC A46B 5/02; A46B 5/021; A47K 7/00;
A47K 7/02; A47K 7/03

USPC D4/127, 130; D28/7, 63, 78, 82;
D32/40, 52; 15/143.1, 244.1

See application file for complete search history.

(56) **References Cited**

U.S. PATENT DOCUMENTS

2,347,355	A *	4/1944	Lindblad	15/244.1
D266,116	S *	9/1982	Deconinck	D4/127
D318,346	S *	7/1991	Bakic	D28/82
D408,590	S *	4/1999	Litton	D28/82
6,510,577	B1 *	1/2003	Borcherds et al.	15/118
D623,355	S *	9/2010	Lee et al.	D28/63

D623,802	S *	9/2010	Lee et al.	D28/63
D697,800	S *	1/2014	Villarreal et al.	D9/500
2002/0166189	A1 *	11/2002	Huang	15/209.1
2013/0043147	A1 *	2/2013	Smith, III et al.	206/38

FOREIGN PATENT DOCUMENTS

CN 201260643 Y * 6/2009

* cited by examiner

Primary Examiner — Melanie H Tung

Assistant Examiner — Lavone D Tabor

(74) *Attorney, Agent, or Firm* — Li & Cai Intellectual Property (USA) Office

(57) **CLAIM**

The ornamental design for a “bath puff,” as shown and described.

DESCRIPTION

FIG. 1 is a perspective view of a bath puff showing my new design;

FIG. 2 is a front view thereof;

FIG. 3 is a rear view thereof;

FIG. 4 is a left side view thereof;

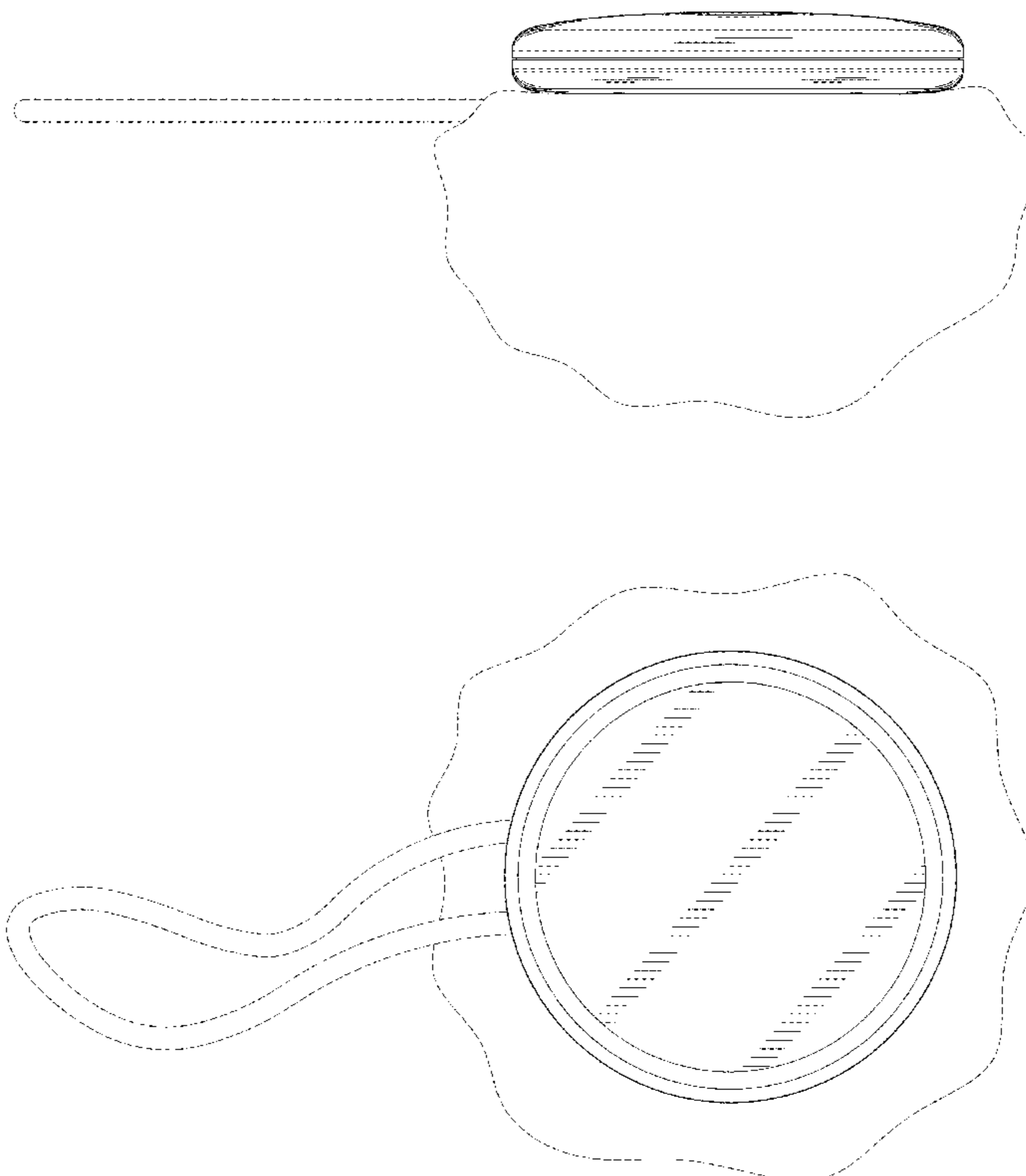
FIG. 5 is a right side view thereof;

FIG. 6 is a top view thereof; and,

FIG. 7 is a bottom view thereof.

The broken lines depict portions of the bath puff that form no part of the claimed design.

1 Claim, 7 Drawing Sheets



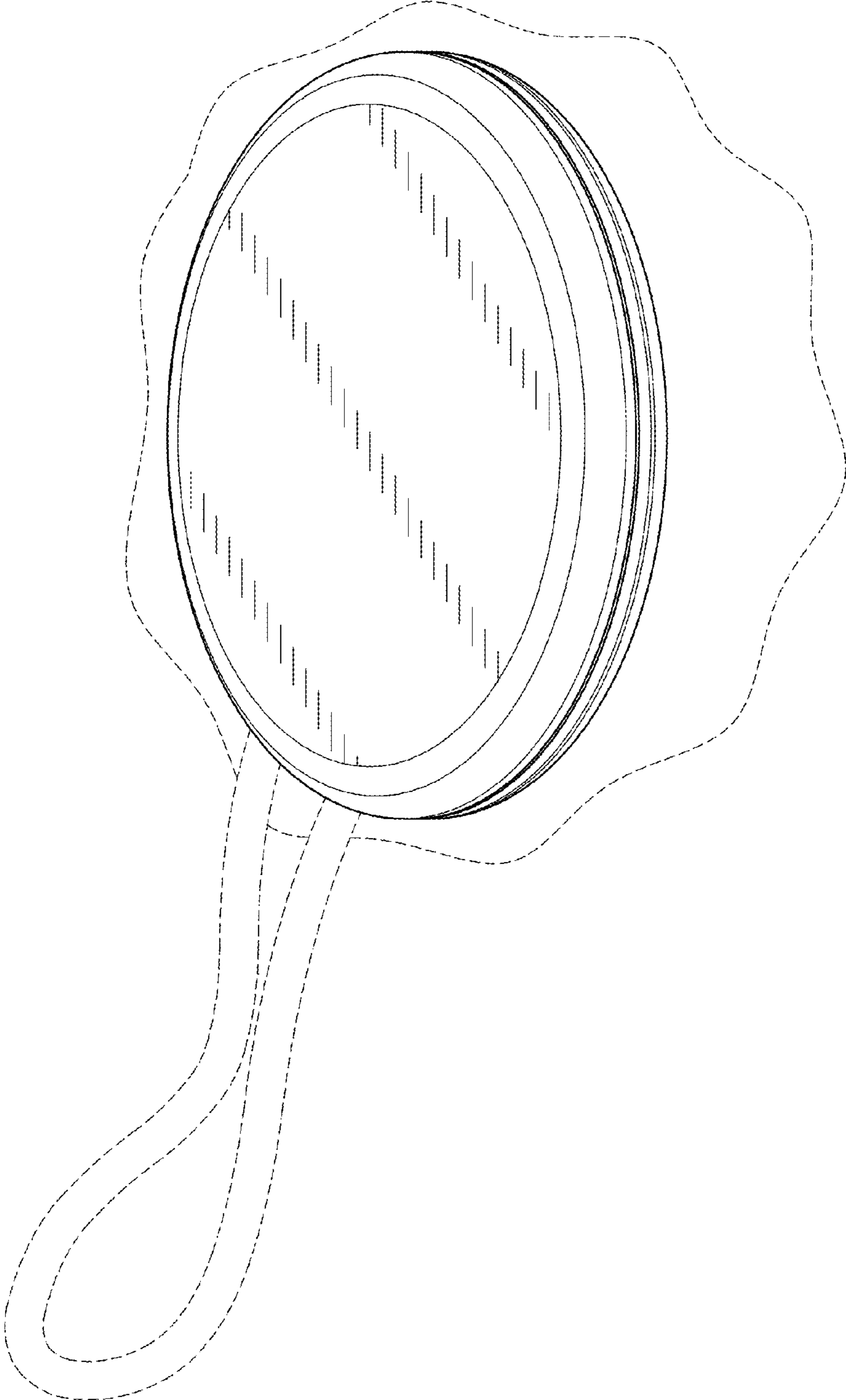


FIG.1

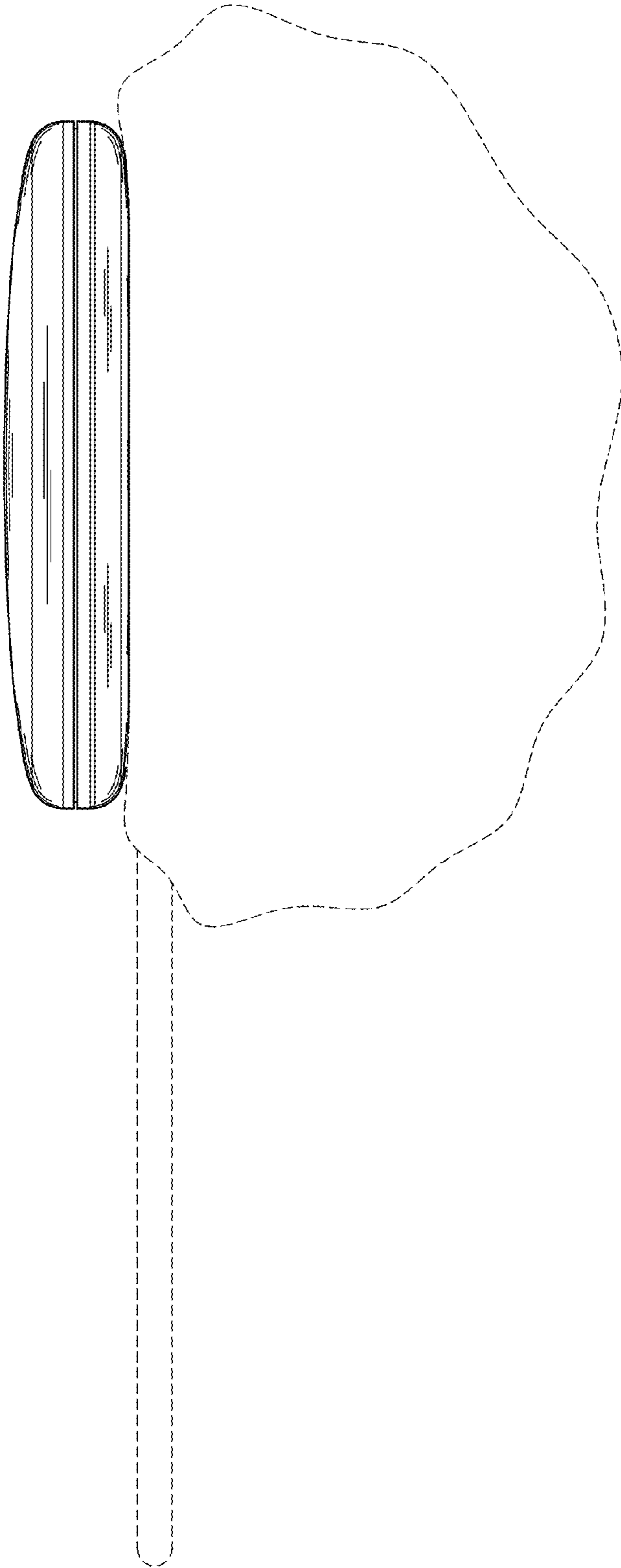


FIG.2

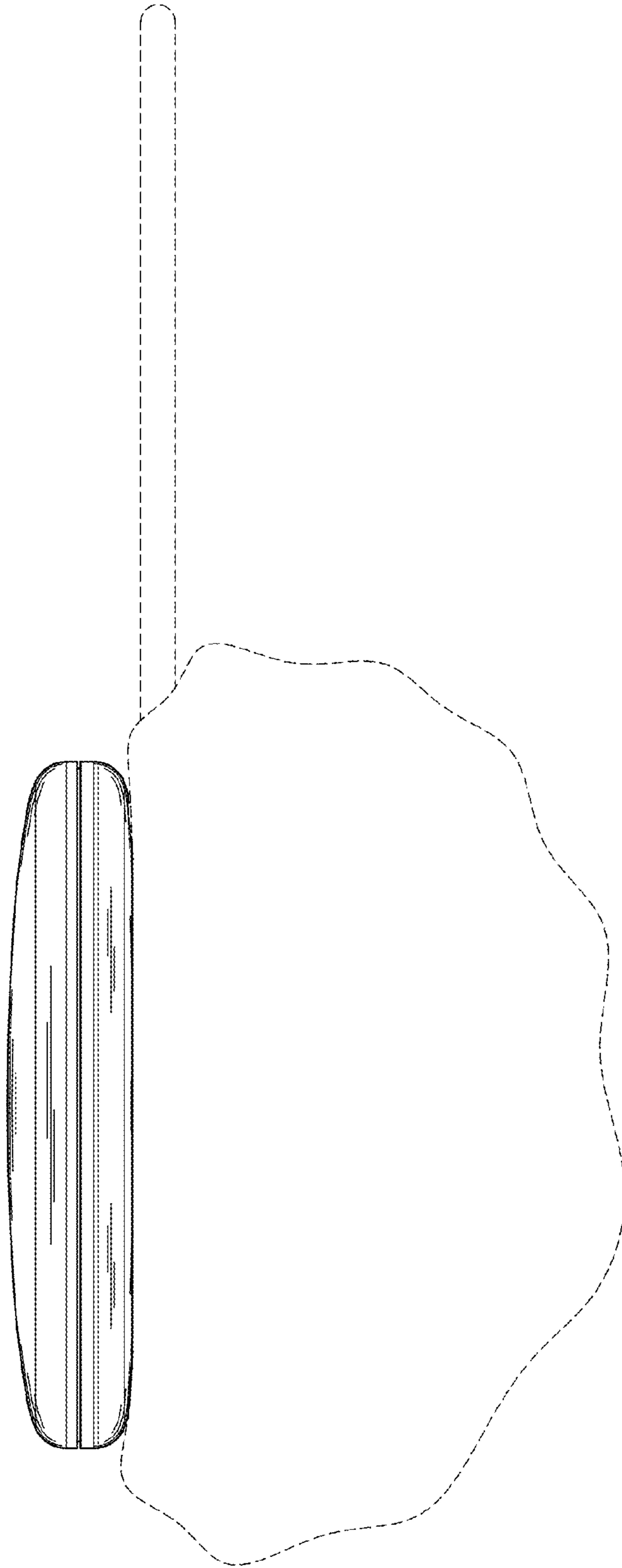


FIG.3

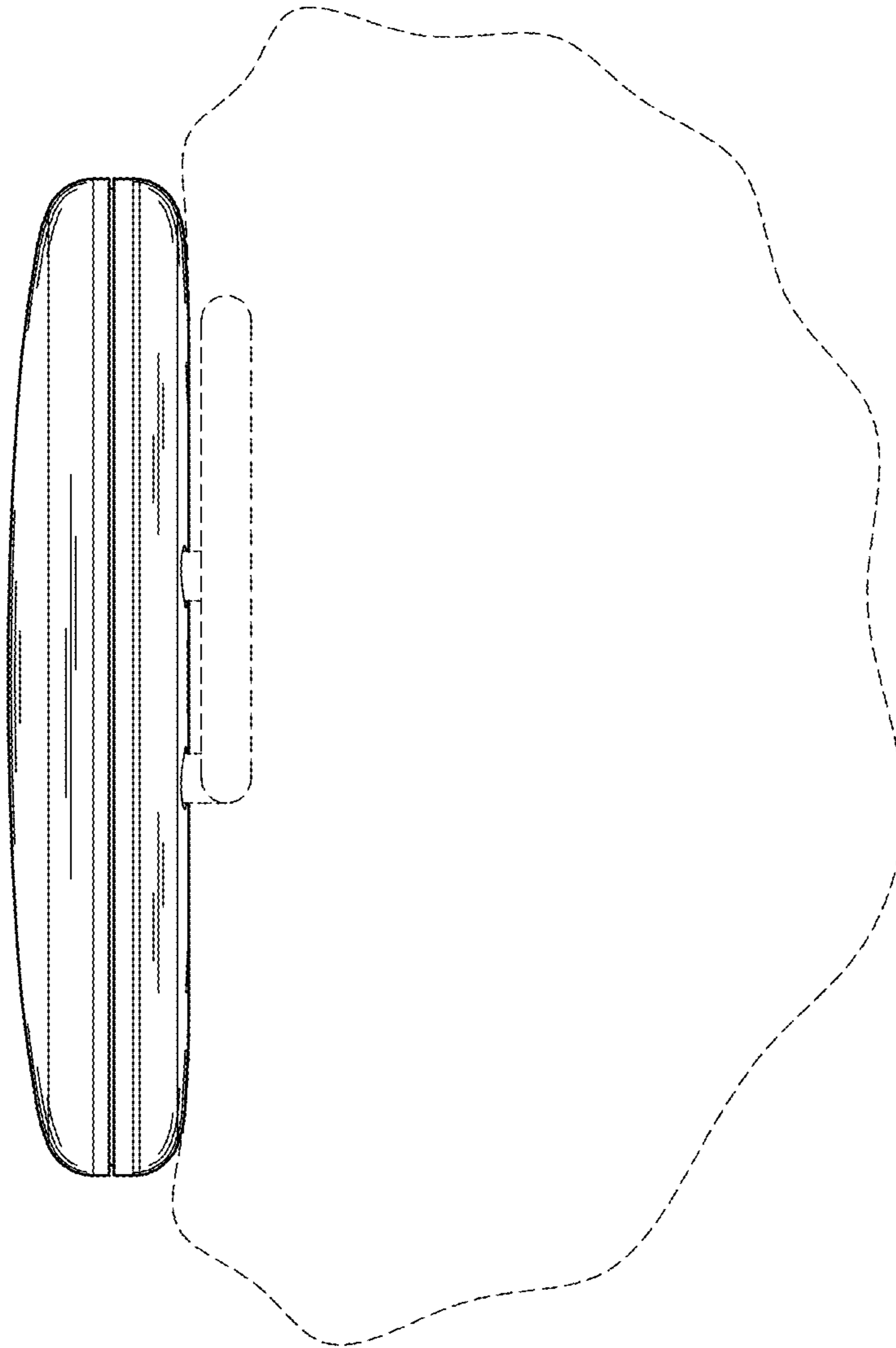


FIG.4

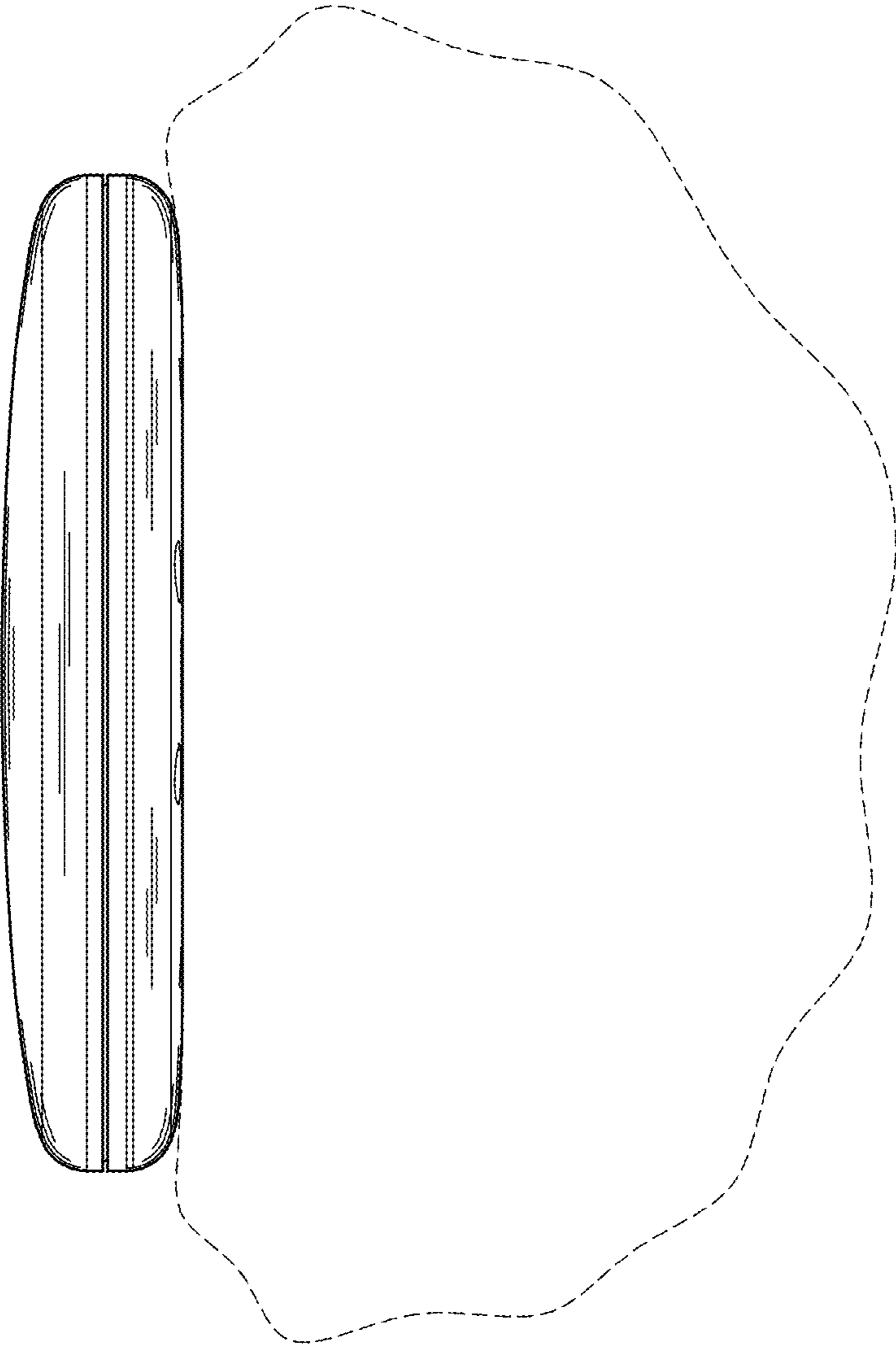


FIG.5

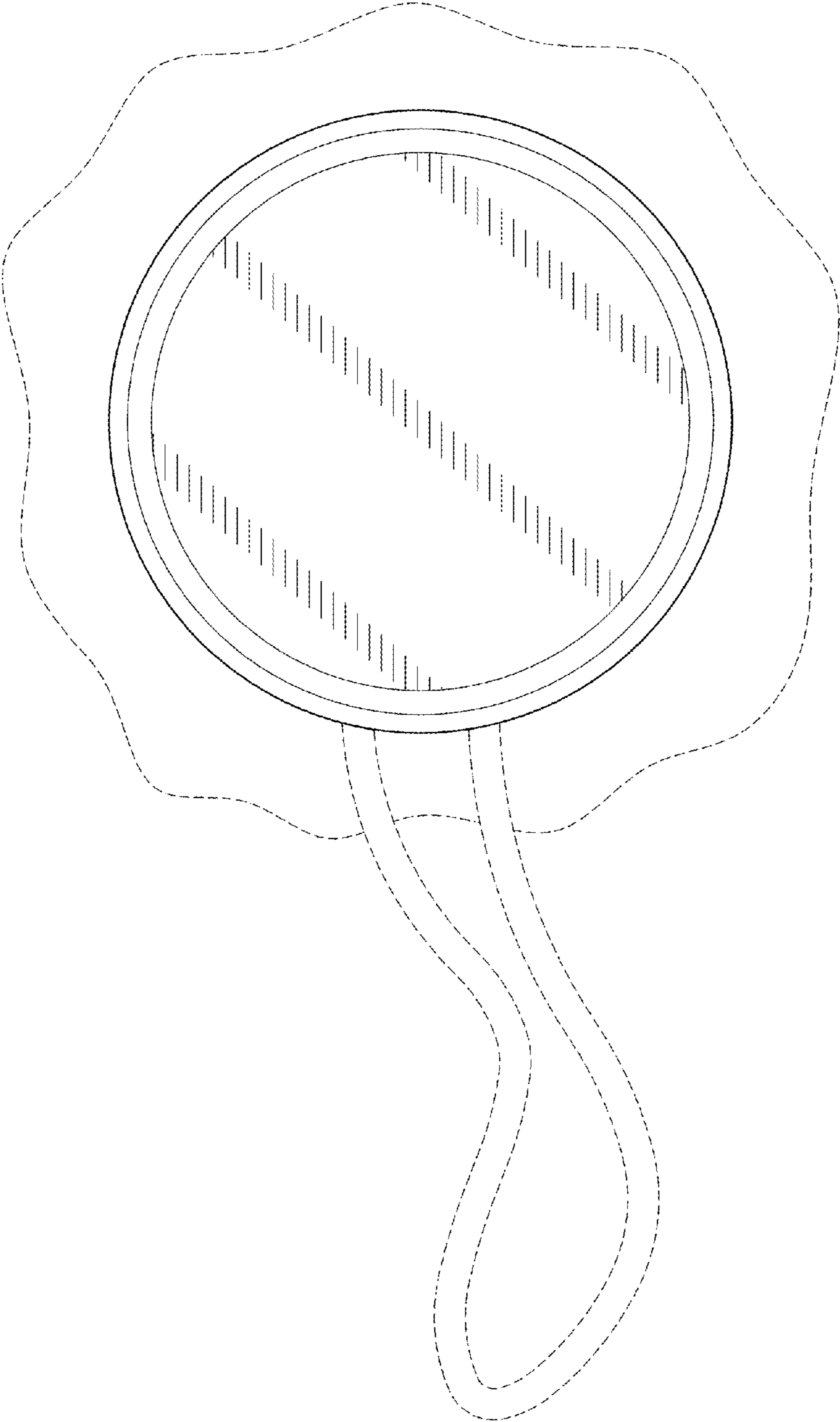


FIG.6

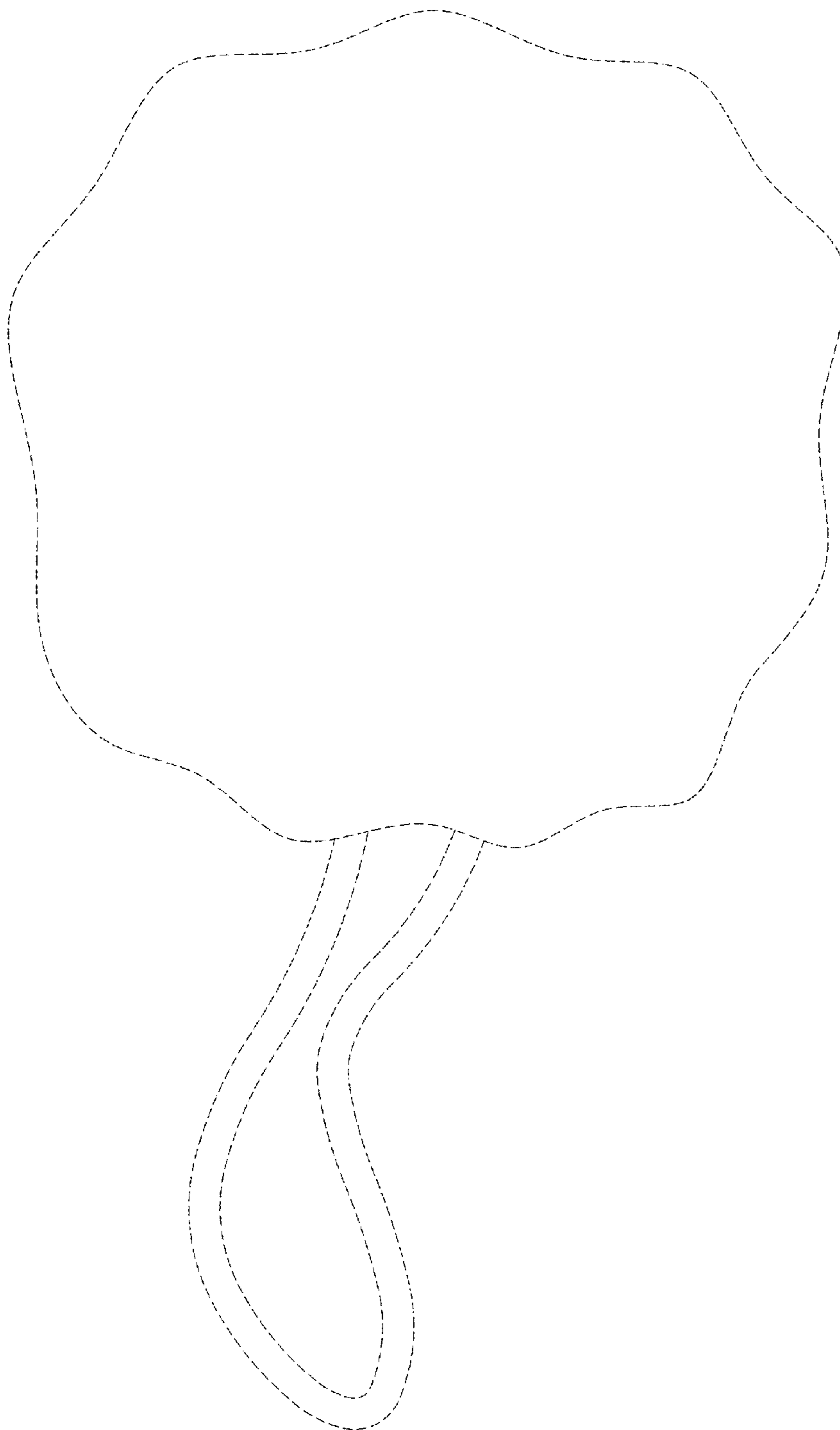


FIG.7