



US00D726372S

(12) **United States Design Patent**
Yiu

(10) **Patent No.:** **US D726,372 S**
(45) **Date of Patent:** **** Apr. 7, 2015**

(54) **CARTRIDGE FOR COSMETIC DEVICE**

(71) Applicant: **Soft Lines International, Ltd.,**
Kowloon (HK)

(72) Inventor: **Wai Wah Yiu, Kowloon (HK)**

(73) Assignee: **Soft Lines International, Ltd.,**
Kowloon (HK)

(**) Term: **14 Years**

(21) Appl. No.: **29/502,870**

(22) Filed: **Sep. 19, 2014**

Related U.S. Application Data

(63) Continuation of application No. 14/035,075, filed on Sep. 24, 2013, which is a continuation of application No. 13/324,935, filed on Dec. 13, 2011, now Pat. No. 8,551,117.

(51) **LOC (10) Cl.** **28-03**

(52) **U.S. Cl.**
USPC **D28/59; D28/62**

(58) **Field of Classification Search**
USPC 132/73, 73.5-73.6, 75.3, 75.6, 75.8,
132/76.4-76.5; D28/56-59, 49-54, 62;
30/43.92, 34.1, 26; D24/146, 133;
606/131-134; 607/88

See application file for complete search history.

(56) **References Cited**

U.S. PATENT DOCUMENTS

1,482,837 A	2/1924	Buck
2,395,296 A	2/1946	Schwab
2,867,214 A	1/1959	Wilson
2,936,768 A	5/1960	Chamberlain
3,581,393 A	6/1971	Yager
D287,298 S	12/1986	Kibe et al.
4,935,184 A	6/1990	Sorensen

5,033,485 A	7/1991	Hauerwas et al.
5,281,233 A	1/1994	Dolev
5,377,699 A	1/1995	Varnum
5,383,273 A	1/1995	Muller et al.
D409,335 S	5/1999	Slater
5,918,607 A	7/1999	Zucker
5,976,157 A	11/1999	Yiu
6,055,731 A	5/2000	Zucker

(Continued)

FOREIGN PATENT DOCUMENTS

CN	101116576	2/2008
CN	201051937	4/2008

(Continued)

OTHER PUBLICATIONS

U.S. Appl. No. 29/435,131, filed Oct. 19, 2012, Soft Lines International, Inc.

(Continued)

Primary Examiner — Jennifer Rivard

(74) *Attorney, Agent, or Firm* — Foley & Lardner LLP

(57) **CLAIM**

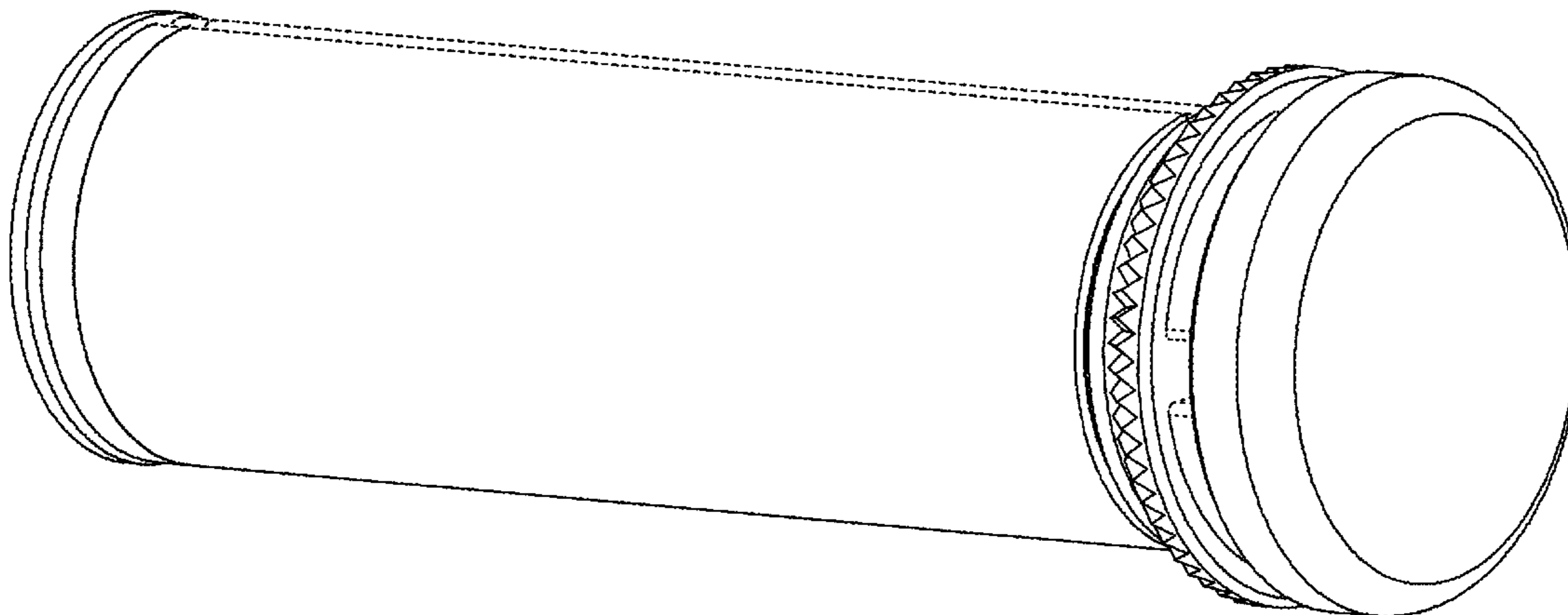
I claim the ornamental design for a cartridge for cosmetic device, as shown and described.

DESCRIPTION

FIG. 1 is a top perspective view of the claimed design; FIG. 2 is a top perspective view thereof rotated into a second position; FIG. 3 is a front elevation view thereof, the rear elevation view being a mirror image thereof; and, FIG. 4 is a top plan view thereof.

The ornamental design which is claimed is shown in solid lines in the drawings. The broken lines illustrate portions of the cartridge for cosmetic device and form no part of the claimed design.

1 Claim, 3 Drawing Sheets



(56)

References Cited

U.S. PATENT DOCUMENTS

6,123,713 A 9/2000 Yiu
 6,159,222 A 12/2000 Yiu
 D443,627 S 6/2001 West
 6,305,084 B1 10/2001 Zucker
 6,391,034 B1 5/2002 Adamson et al.
 6,436,106 B2 8/2002 Yiu
 6,442,840 B2 9/2002 Zucker
 6,471,712 B2 10/2002 Burres
 6,523,546 B2* 2/2003 Jo et al. 132/75.8
 6,551,262 B1 4/2003 Lechtman
 D487,661 S 3/2004 Signorati
 6,824,461 B1 11/2004 Dolev
 6,824,546 B1 11/2004 Yiu
 D499,842 S 12/2004 Yiu
 D509,626 S 9/2005 Yiu
 D543,660 S 5/2007 Cheung
 D556,380 S 11/2007 Long
 7,347,211 B1* 3/2008 Macklin 132/73.6
 D581,596 S 11/2008 Sarway
 D598,165 S 8/2009 Platek
 7,581,545 B1* 9/2009 Moldawski et al. 132/76.4
 7,597,696 B2 10/2009 Poran
 D611,198 S 3/2010 Platek
 D626,693 S 11/2010 Harbeke
 D628,744 S 12/2010 Goetschi
 D638,166 S 5/2011 Martinez de San Vicente
 D645,204 S 9/2011 Platek
 D676,200 S 2/2013 Yiu
 D678,614 S 3/2013 Yiu
 D681,277 S 4/2013 Yiu
 D686,370 S 7/2013 Yiu
 D692,181 S 10/2013 Yiu
 8,545,516 B1* 10/2013 Winnett et al. 606/131
 D701,648 S 3/2014 Yiu
 D706,487 S 6/2014 Yiu
 D706,986 S 6/2014 Yiu
 D709,650 S 7/2014 Yiu
 2002/0050278 A1* 5/2002 Jo et al. 132/73.6
 2002/0107527 A1 8/2002 Burres
 2004/0181241 A1 9/2004 Jo et al.
 2004/0185067 A1 9/2004 Daikuzono
 2005/0187563 A1 8/2005 Yiu
 2006/0218793 A1 10/2006 Zucker

2006/0260629 A1 11/2006 Chern
 2007/0125097 A1 6/2007 Habatjou
 2008/0187563 A1 8/2008 Levy
 2009/0004953 A1* 1/2009 Kinsey 451/163
 2009/0182349 A1 7/2009 Poran
 2009/0301507 A1 12/2009 Tes et al.
 2013/0081645 A1* 4/2013 Caviness 132/75.8

FOREIGN PATENT DOCUMENTS

CN	101312692	11/2008
CN	101933879	1/2011
DE	201 04 304 U1	5/2001
DE	2020080 05 686	7/2008
EP	1 707 326	10/2006
FR	2728777	7/1996
JP	48-042304	12/1973
JP	59-137084	8/1984
JP	2006-055489	3/2006
KR	10-2007-0017427	2/2007
KR	10200717427	2/2007
WO	WO-02/28296	4/2002
WO	WO-2004/002339	1/2004
WO	WO-2009/065184	5/2009

OTHER PUBLICATIONS

U.S. Appl. No. 29/459,570, filed Jul. 1, 2013, Soft Lines International, Ltd.
 U.S. Appl. No. 29/488,296, filed Apr. 17, 2014, Soft Lines International, Ltd.
 U.S. Appl. No. 29/488,301, filed Apr. 17, 2014, Soft Lines International, Ltd.
 U.S. Appl. No. 29/497,602, filed Jul. 25, 2014, Soft Lines International, Ltd.
 U.S. Appl. No. 29/501,546, filed Sep. 5, 2014, Soft Lines International, Ltd.
 U.S. Appl. No. 29/502,870, filed Sep. 19, 2014, Soft Lines International, Ltd.
 Emjoi RotoShave, First Electric Razor, www.youtube.com/watch?v=HKxUHMmP_rs&noredirect=1, retrieved on Jan. 6, 2014, 1 page.
 Images of a Rotoshave razor believed to be on sale more than one year before the filing of the present application, 7 pages.

* cited by examiner

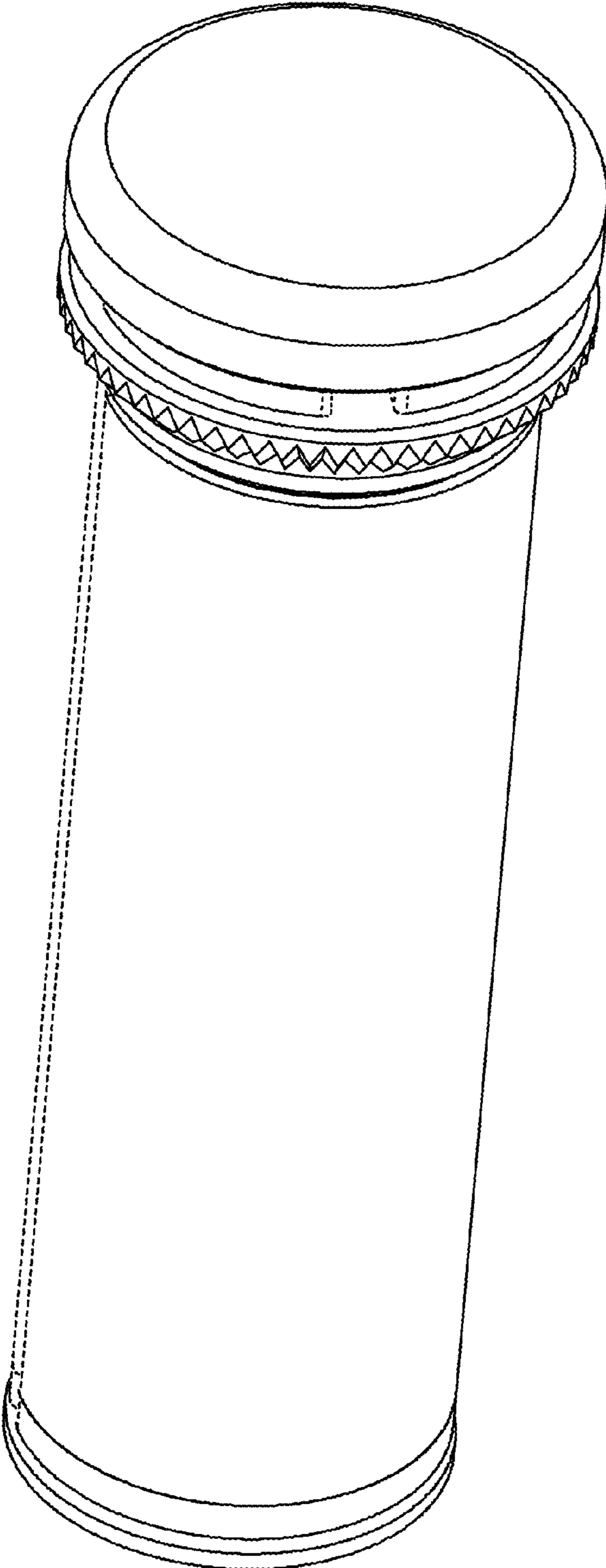


FIG. 1

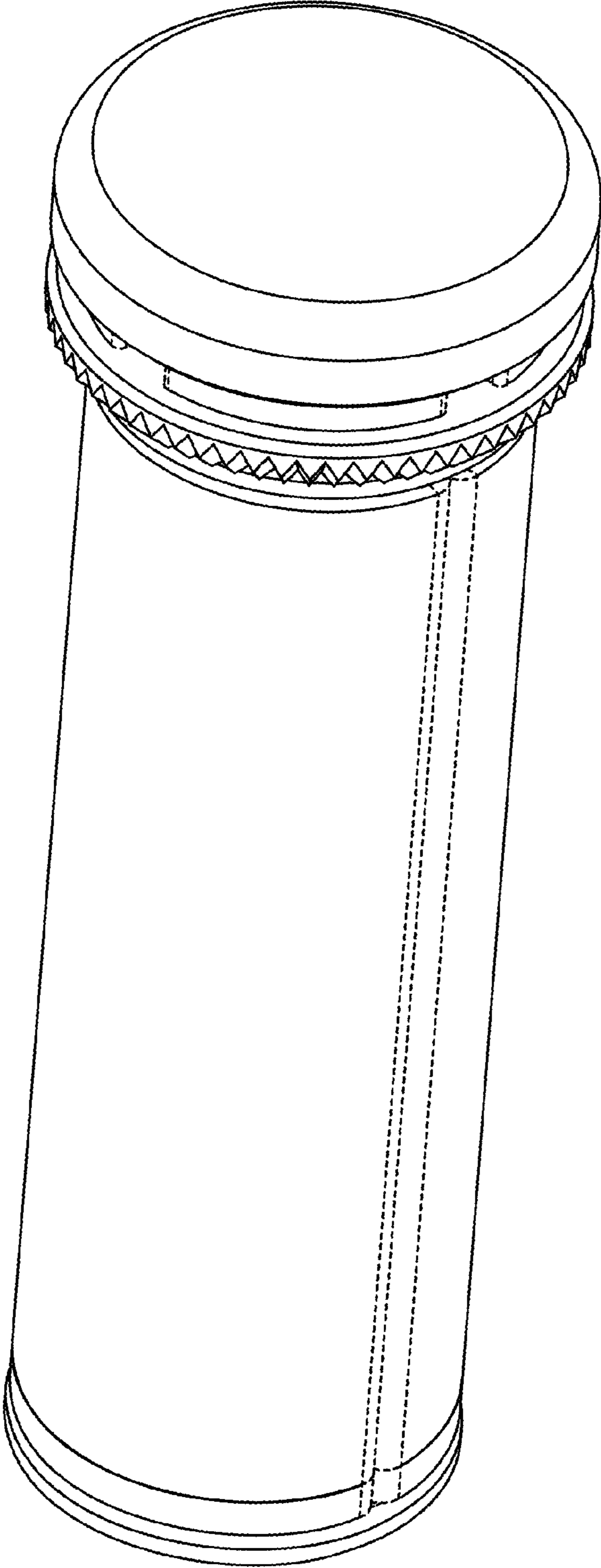


FIG. 2

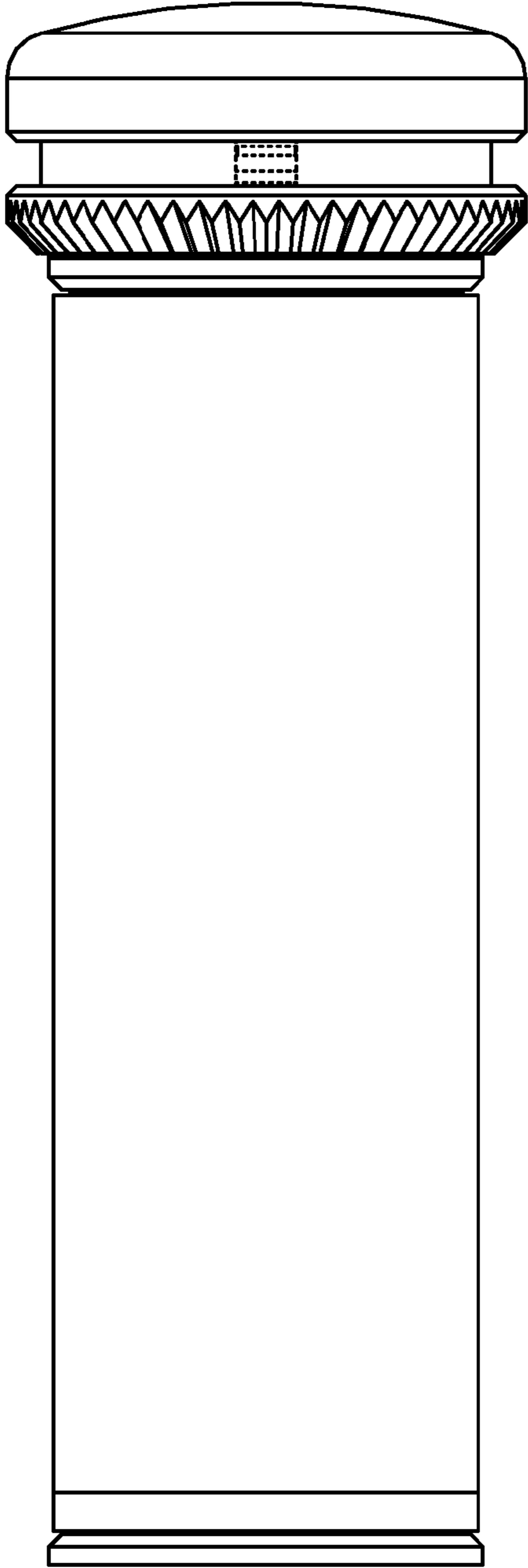


FIG. 3

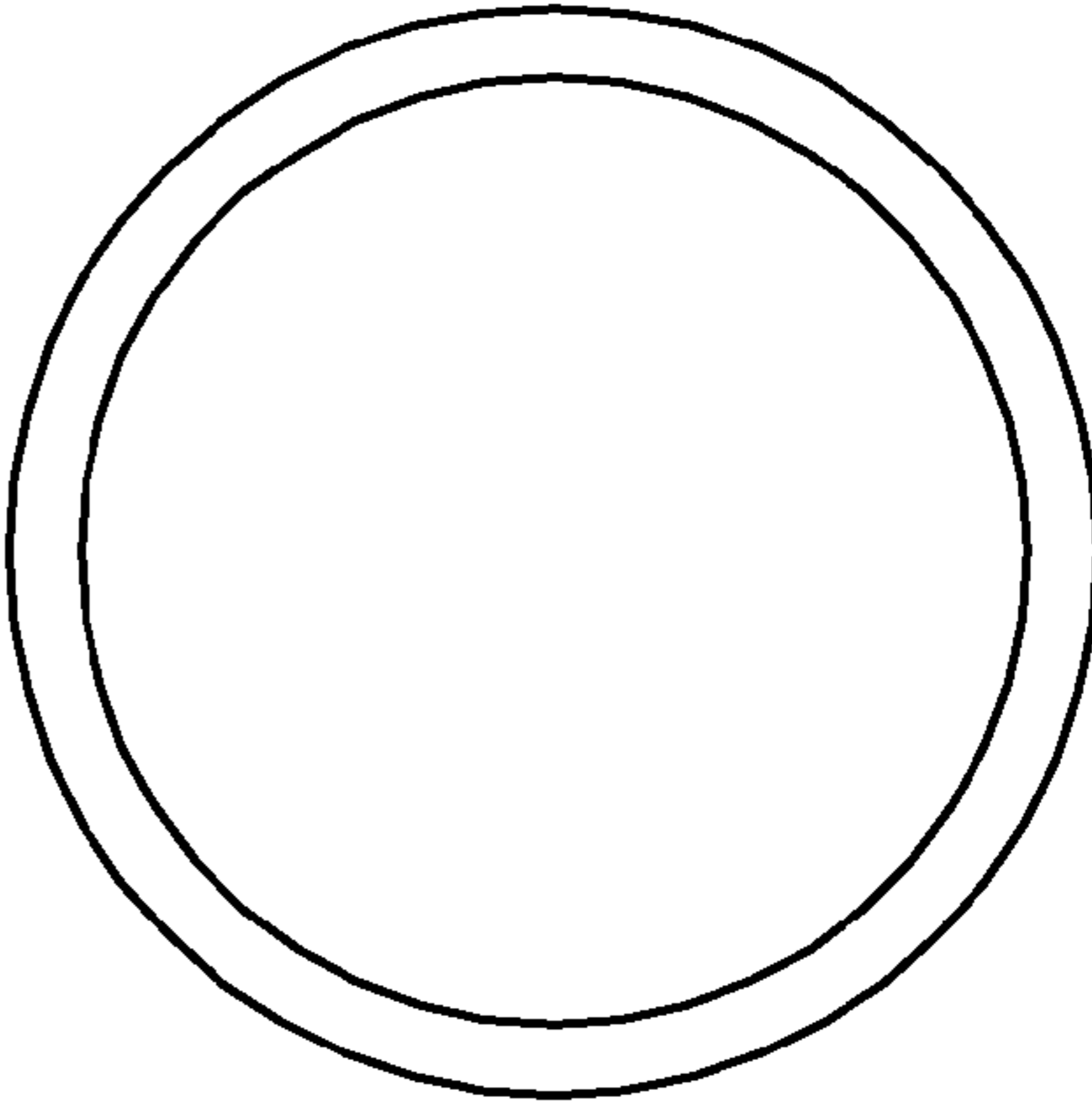


FIG. 4