



US00D726370S

(12) **United States Design Patent**
Han

(10) **Patent No.:** **US D726,370 S**
(45) **Date of Patent:** **** Apr. 7, 2015**

- (54) **HAIR DRYER PIK ATTACHMENT**
- (71) Applicant: **Kiss Nail Products, Inc.**, Port Washington, NY (US)
- (72) Inventor: **Kyu Sang Han**, Port Washington, NY (US)
- (73) Assignee: **Kiss Nail Products, Inc.**, Port Washington, NY (US)
- (**) Term: **14 Years**
- (21) Appl. No.: **29/501,854**
- (22) Filed: **Sep. 9, 2014**
- (51) **LOC (10) Cl.** **28-03**
- (52) **U.S. Cl.**
USPC **D28/18**
- (58) **Field of Classification Search**
CPC A45D 20/12; A45D 20/00
USPC D28/12-19; 34/96-101; 392/380-385;
219/222
See application file for complete search history.

6,009,883 A *	1/2000	Morrow	132/211
D425,244 S *	5/2000	Smith	D28/18
D426,674 S *	6/2000	Kwong	D28/18
D433,182 S *	10/2000	Kwong	D28/18
D433,183 S *	10/2000	Kwong	D28/18
D670,862 S *	11/2012	Petrucelli et al.	D28/18

* cited by examiner

Primary Examiner — Zenia Bennett

(74) *Attorney, Agent, or Firm* — Proskauer Rose LLP

(57) **CLAIM**

The ornamental design for a hair dryer pik attachment, substantially as shown and described.

DESCRIPTION

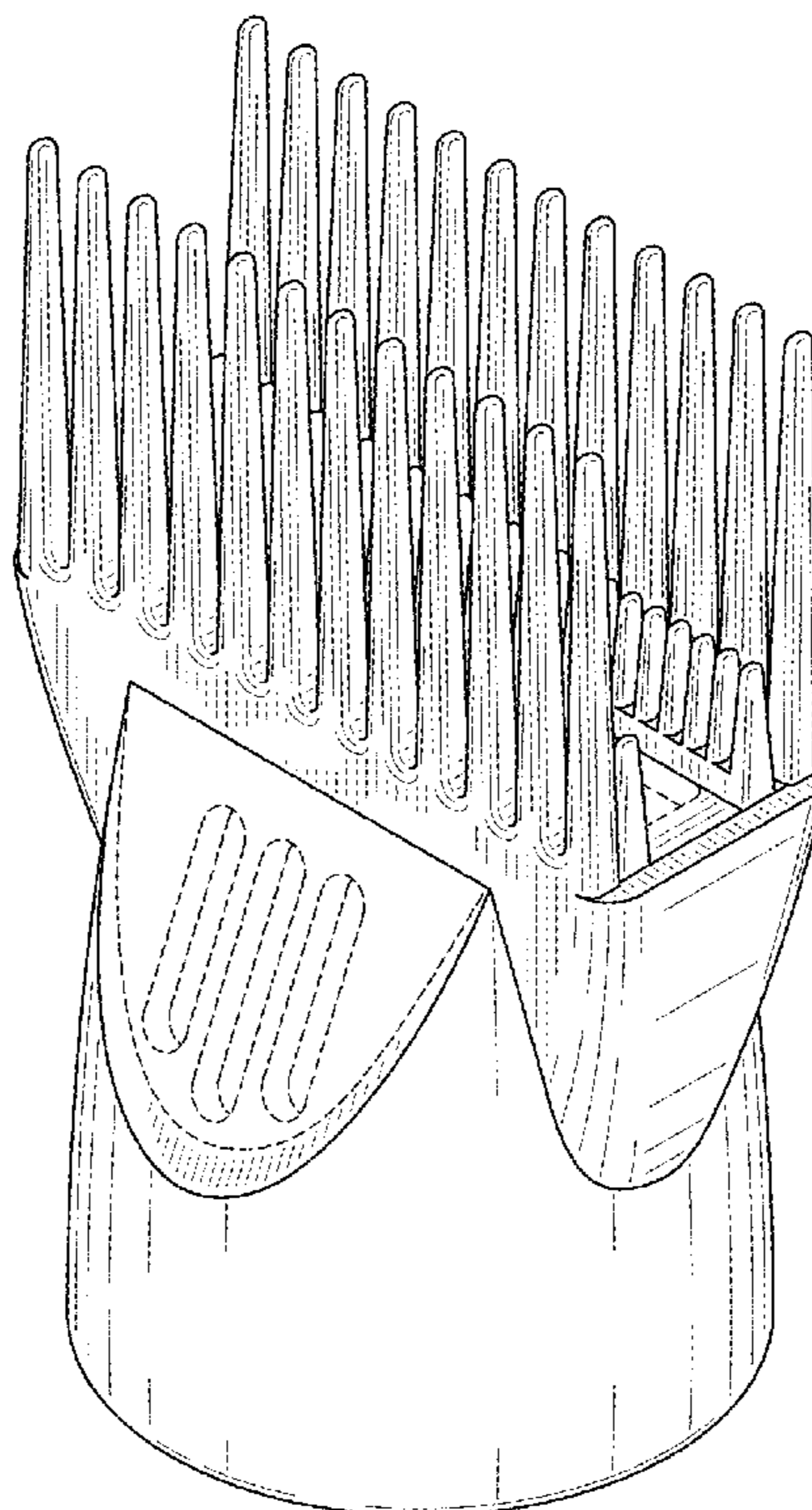
FIG. 1 shows a perspective view of a design of a hair dryer pik attachment;
 FIG. 2 shows a front view of the Design;
 FIG. 3 shows a rear view of the Design;
 FIG. 4 shows a right side view of the Design;
 FIG. 5 shows a left side view of the Design;
 FIG. 6 shows a top view of the Design; and,
 FIG. 7 shows a bottom view of the Design.
 The broken lines shown in the drawings represent unclaimed portions of the hair dryer pik attachment and form no part of the claimed design.

(56) **References Cited**

U.S. PATENT DOCUMENTS

D377,694 S *	1/1997	Smal	D28/18
D381,766 S *	7/1997	Smal	D28/18

1 Claim, 4 Drawing Sheets



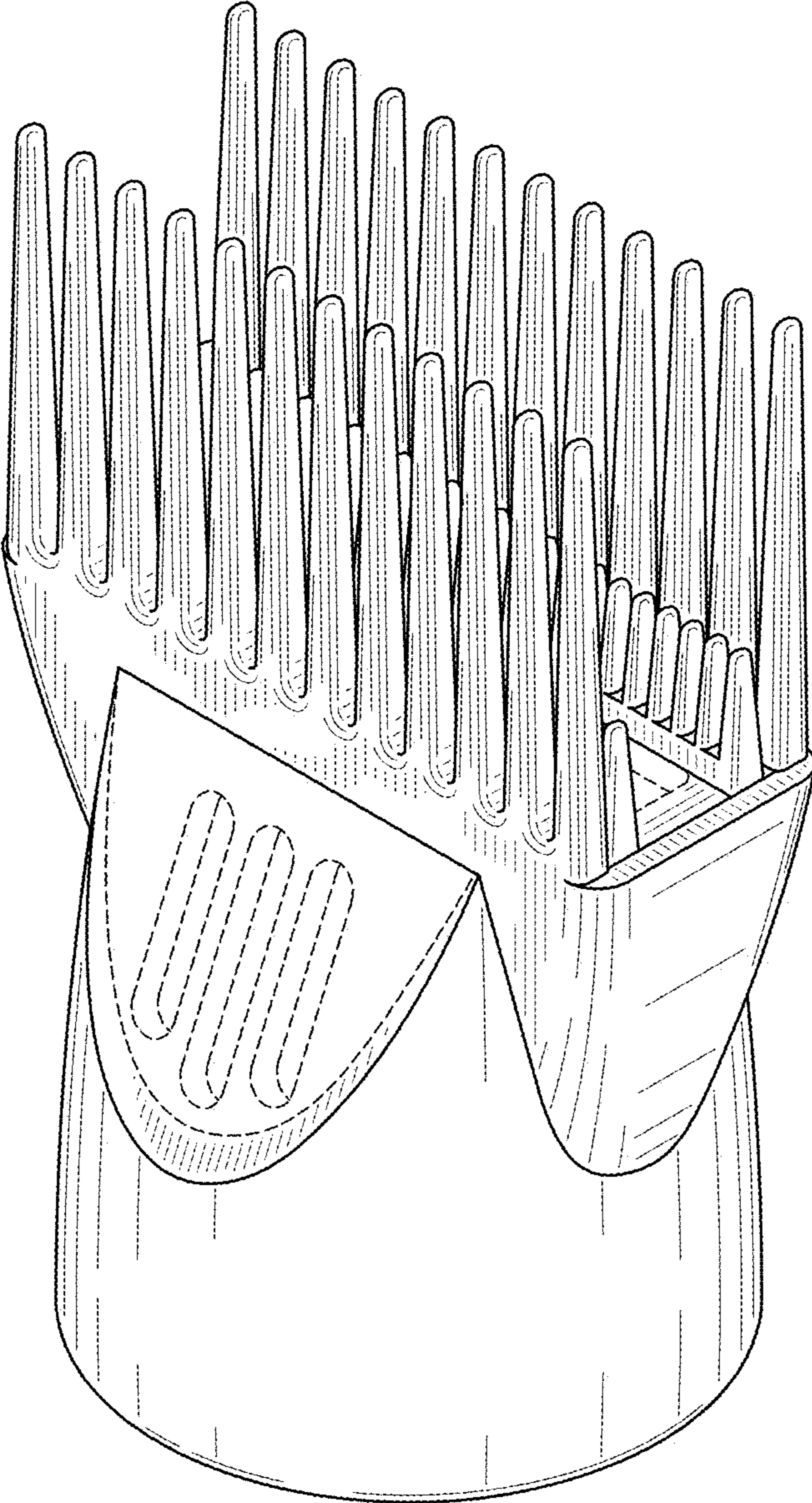


FIG. 1

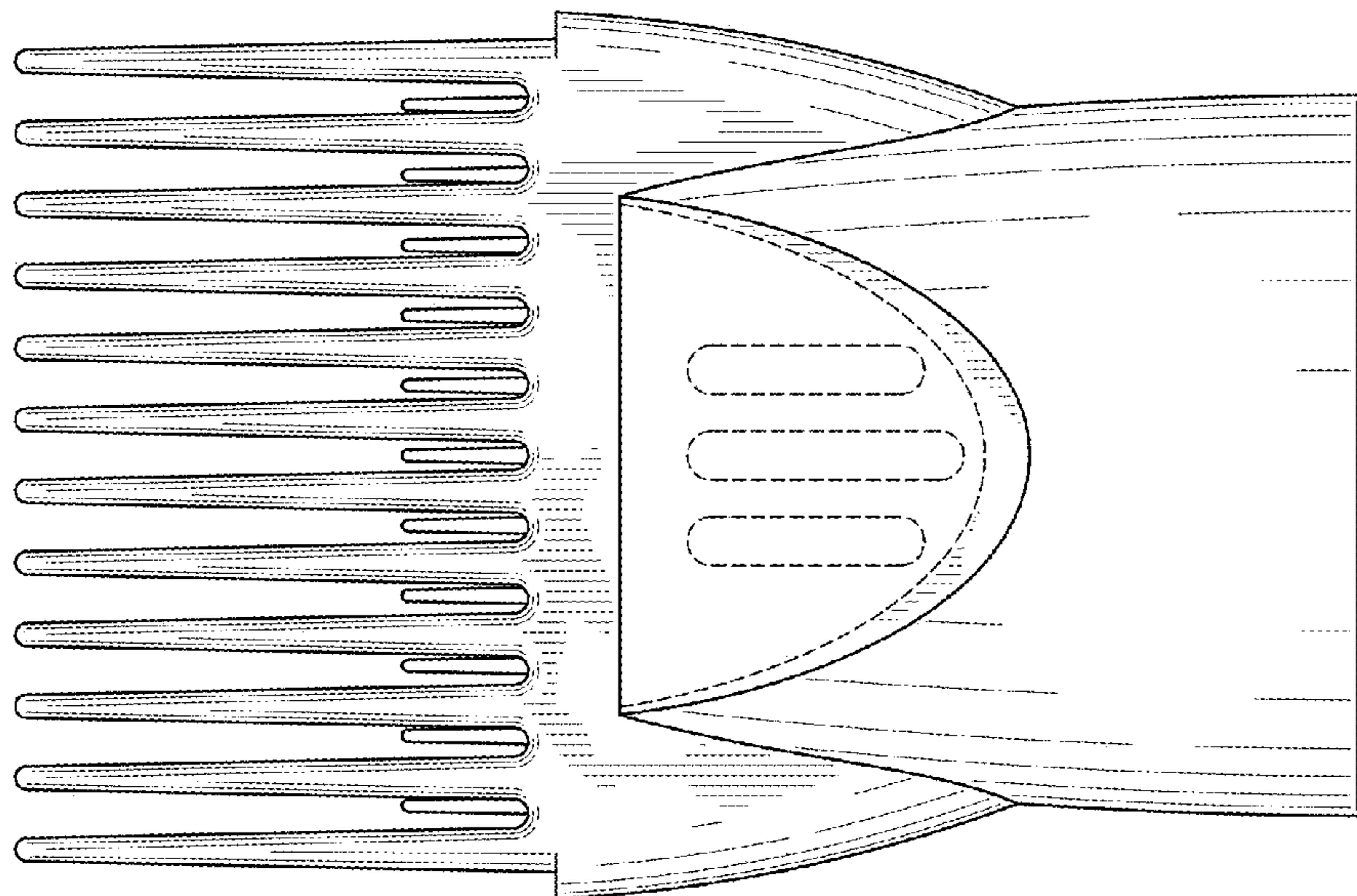


FIG. 3

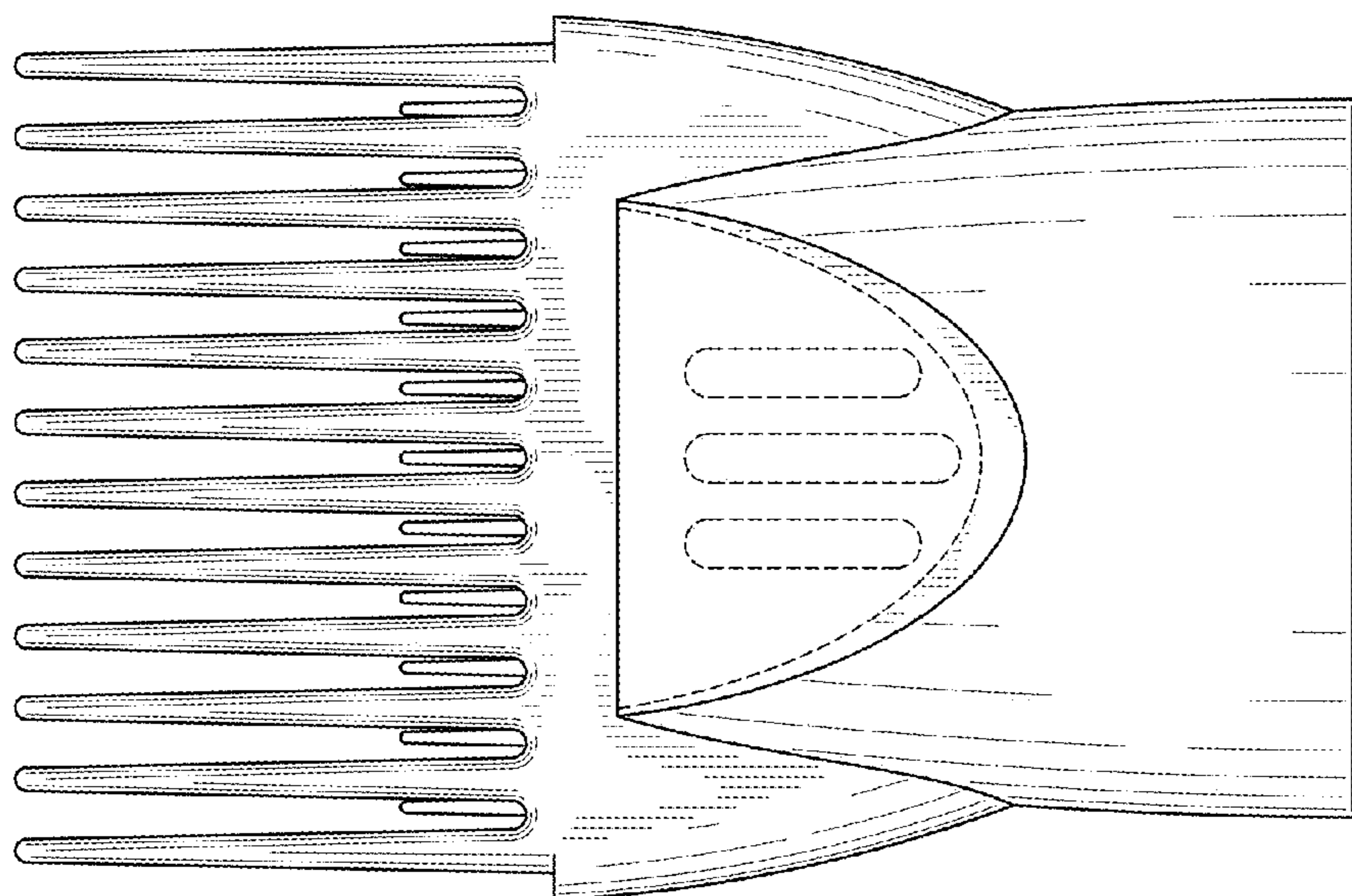


FIG. 2

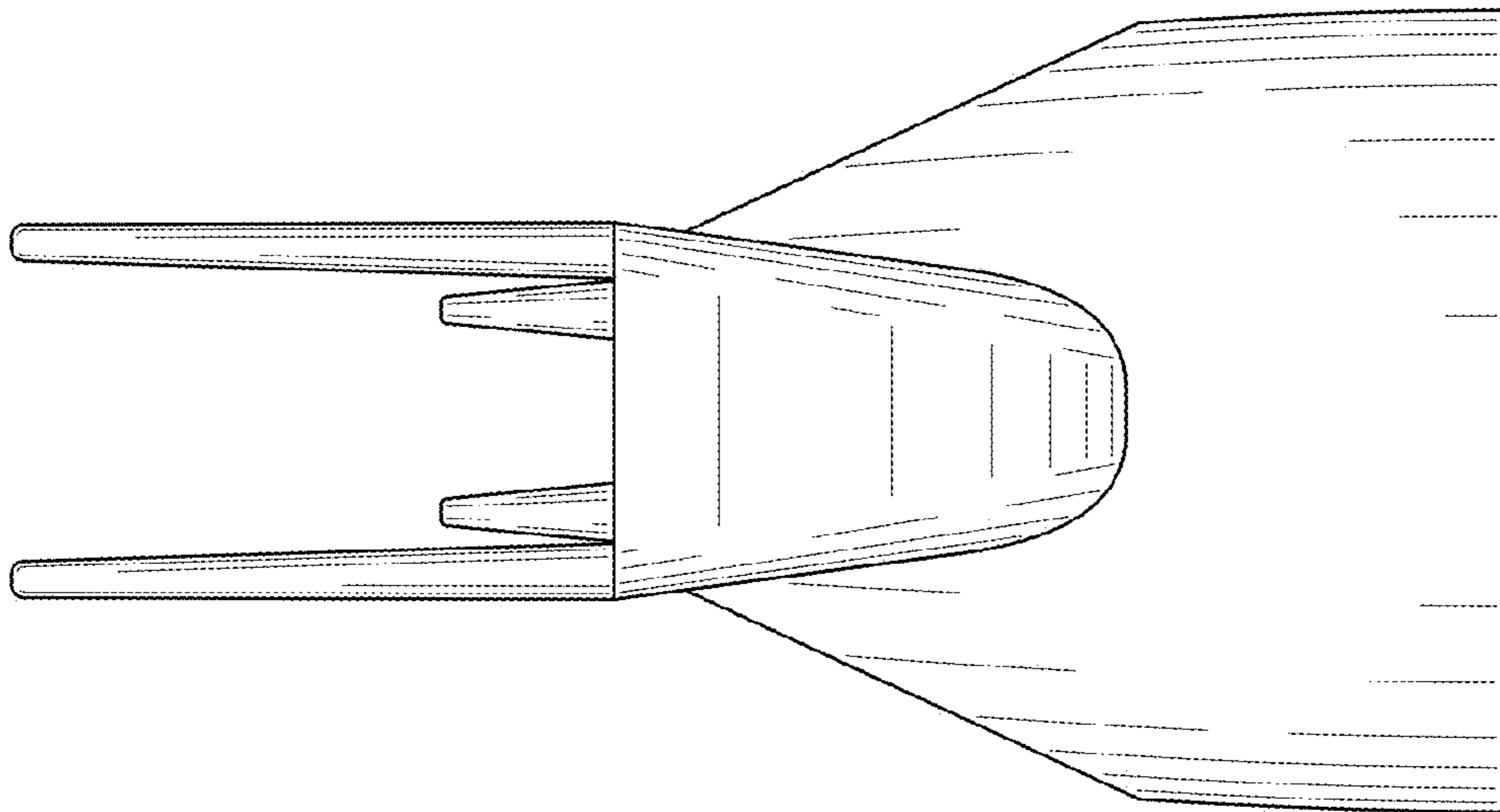


FIG. 4

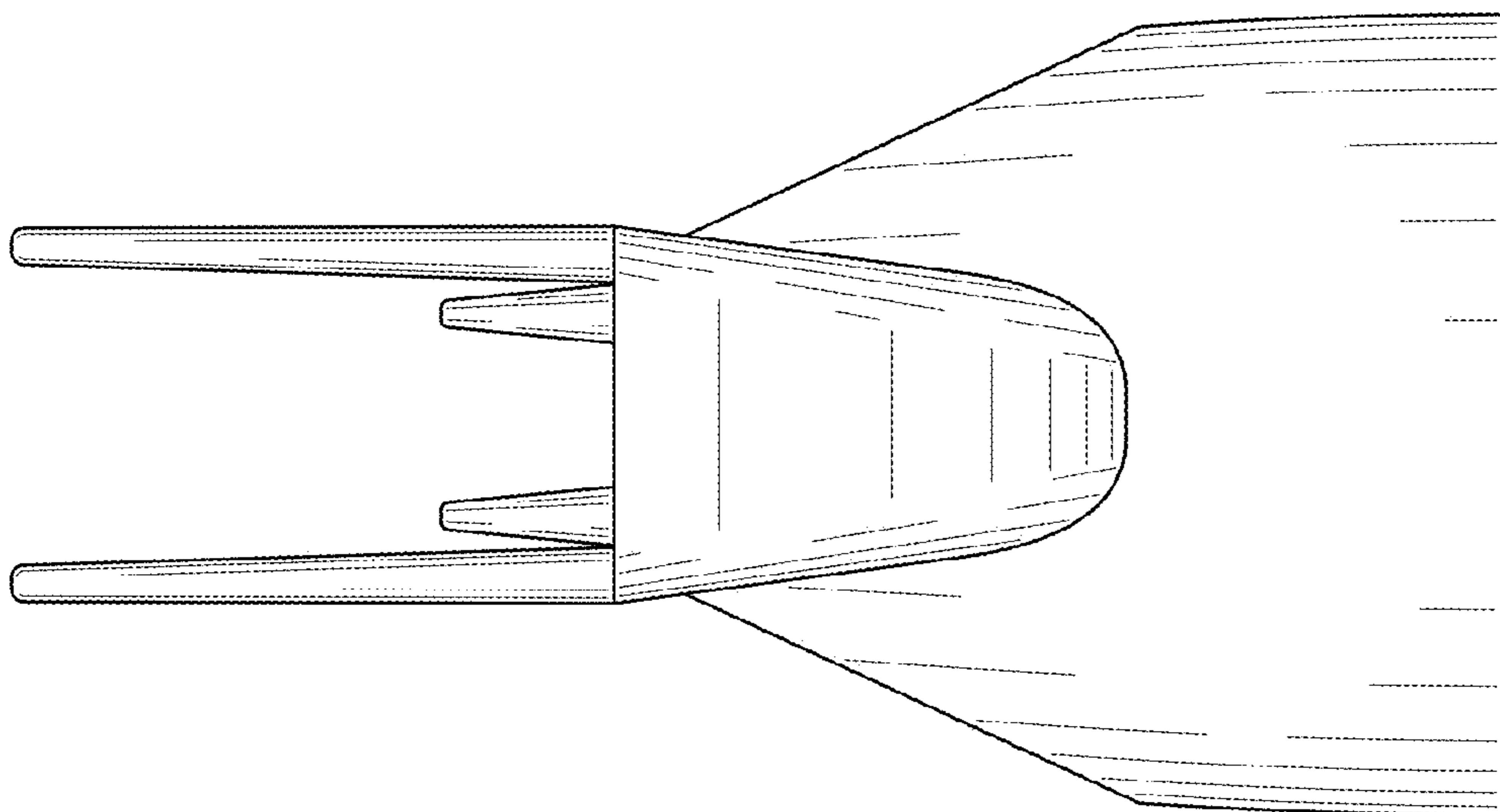


FIG. 5

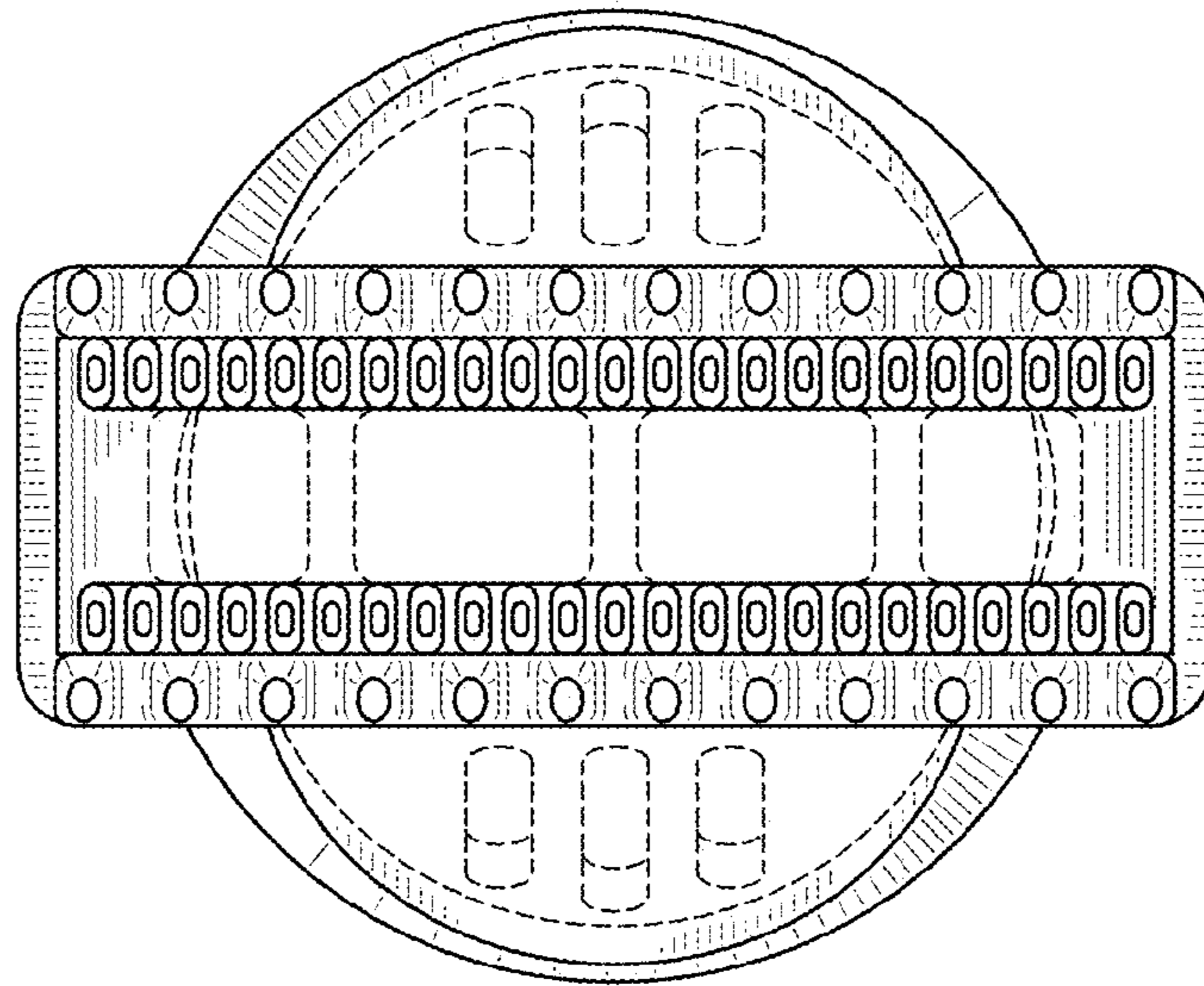


FIG. 6

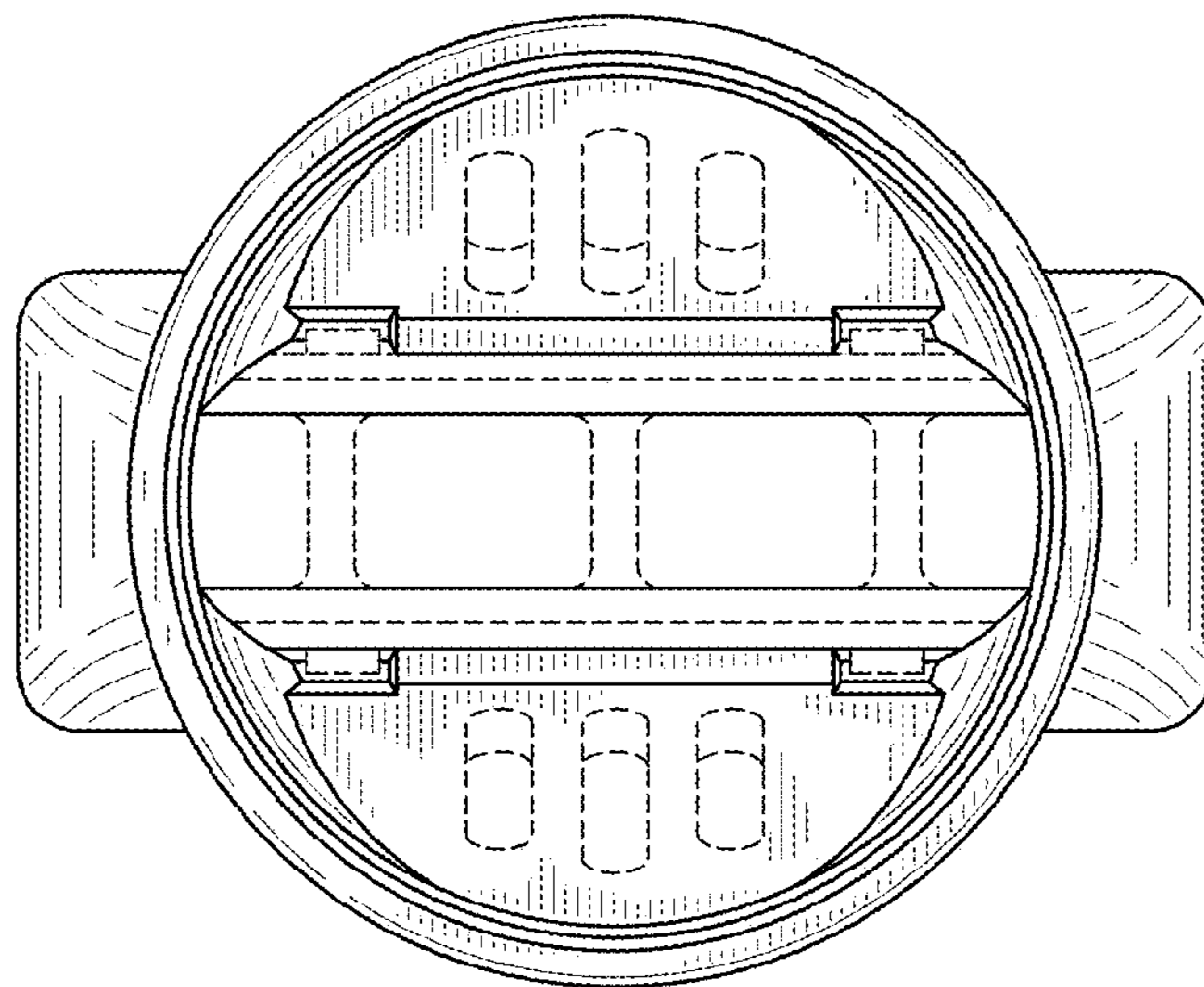


FIG. 7