



US00D726369S

(12) **United States Design Patent**
Richmond et al.

(10) **Patent No.:** **US D726,369 S**

(45) **Date of Patent:** **** Apr. 7, 2015**

(54) **HAIR DRYER**

(71) Applicant: **Trade Box, LLC**, Culver City, CA (US)

(72) Inventors: **David Richmond**, Culver City, CA (US); **Howard Richmond**, Los Angeles, CA (US); **Michael A. Ragosta**, Calabasas, CA (US); **Bruno Meglio**, Beverly Hills, CA (US); **Claudio Marino**, Woodland Hills, CA (US); **Henry Yu**, El Segundo, CA (US); **Jefferson McCrory**, El Segundo, CA (US)

(73) Assignee: **Trade Box, LLC**, Culver City, CA (US)

(**) Term: **14 Years**

(21) Appl. No.: **29/432,856**

(22) Filed: **Sep. 21, 2012**

(51) **LOC (10) Cl.** **28-03**

(52) **U.S. Cl.**
USPC **D28/13**

(58) **Field of Classification Search**
CPC A45D 20/12
USPC D28/12-19; 34/96-101; 392/380-385;
219/222

See application file for complete search history.

(56) **References Cited**

U.S. PATENT DOCUMENTS

D600,404 S * 9/2009 Leung D28/13
D604,899 S * 11/2009 Habibi D28/13

D606,248 S * 12/2009 Leung D28/13
D627,510 S * 11/2010 Zabala D28/13
D658,808 S * 5/2012 Begin et al. D28/13
D672,496 S * 12/2012 Julemont D28/13

OTHER PUBLICATIONS

U.S. Appl. No. 29/432,853, filed Sep. 21, 2012.

* cited by examiner

Primary Examiner — Zenia Bennett

(74) *Attorney, Agent, or Firm* — Laura M. Lloyd; Leech Tishman Fuscaldo & Lampl

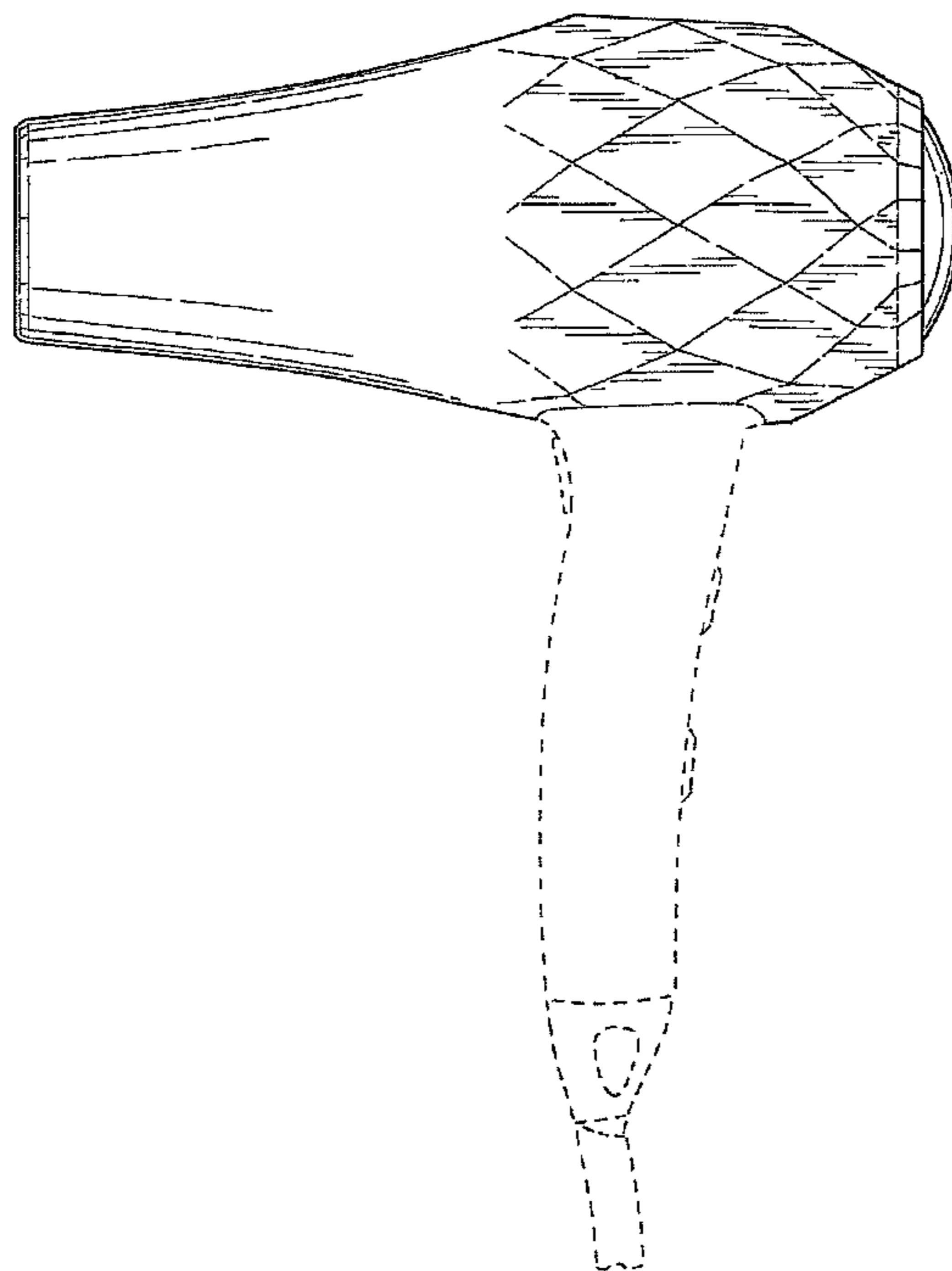
(57) **CLAIM**

The ornamental design for a hair dryer, as shown and described.

DESCRIPTION

FIG. 1 is a top and side perspective view of a hair dryer, according to the present invention;
FIG. 2 is a bottom view of the hair dryer of FIG. 1;
FIG. 3 is a front elevation view of the hair dryer of FIG. 1;
FIG. 4 is a rear elevation view of the hair dryer of FIG. 1;
FIG. 5 is a side elevation view of the hair dryer of FIG. 1;
FIG. 6 is a bottom and side perspective view of the hair dryer of FIG. 1; and,
FIG. 7 is a top plan view of the hair dryer of FIG. 1.
All portions of the drawings shown in dashed lines are for illustrative purposes only and form no part of the claimed design.

1 Claim, 4 Drawing Sheets



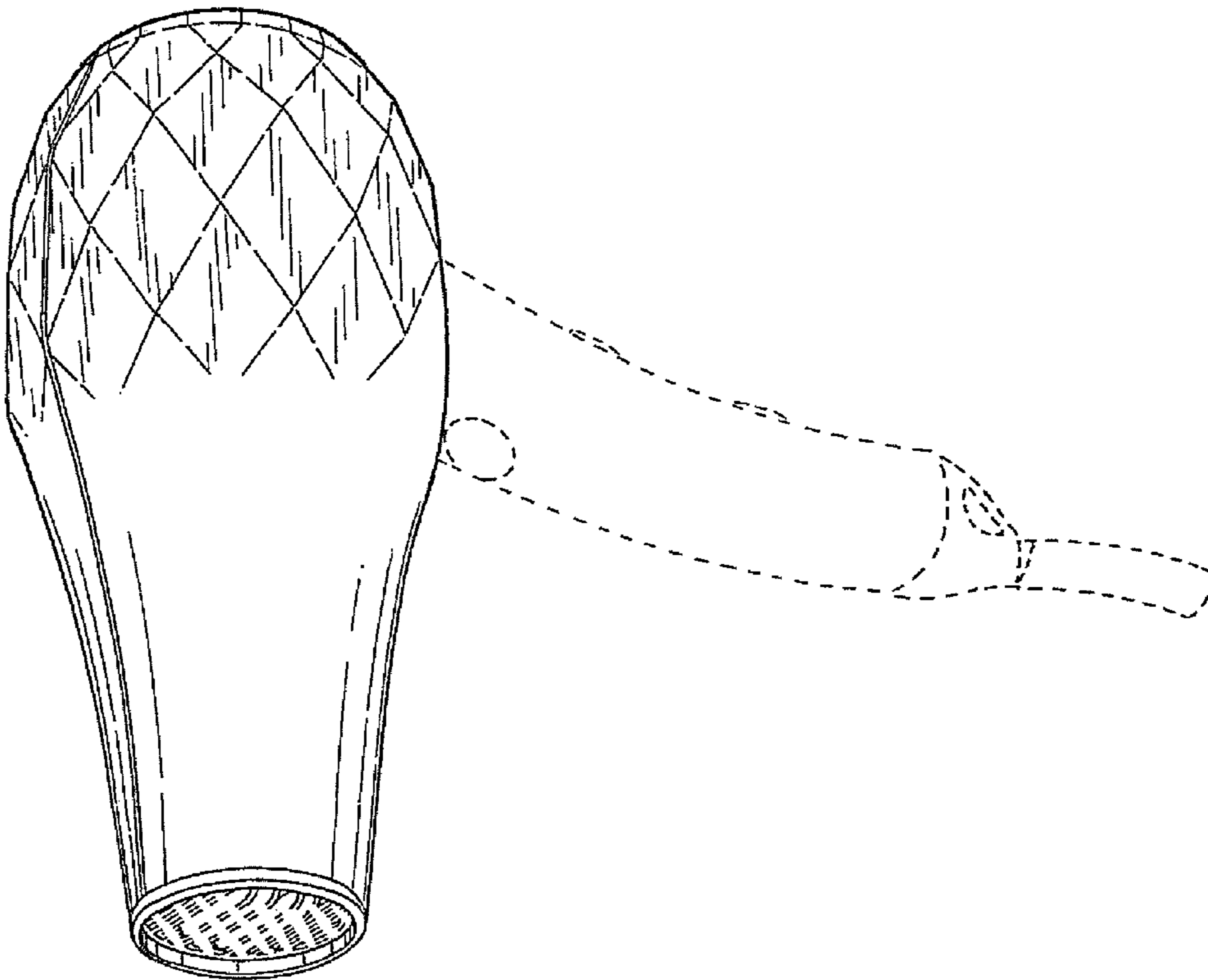


FIG. 1

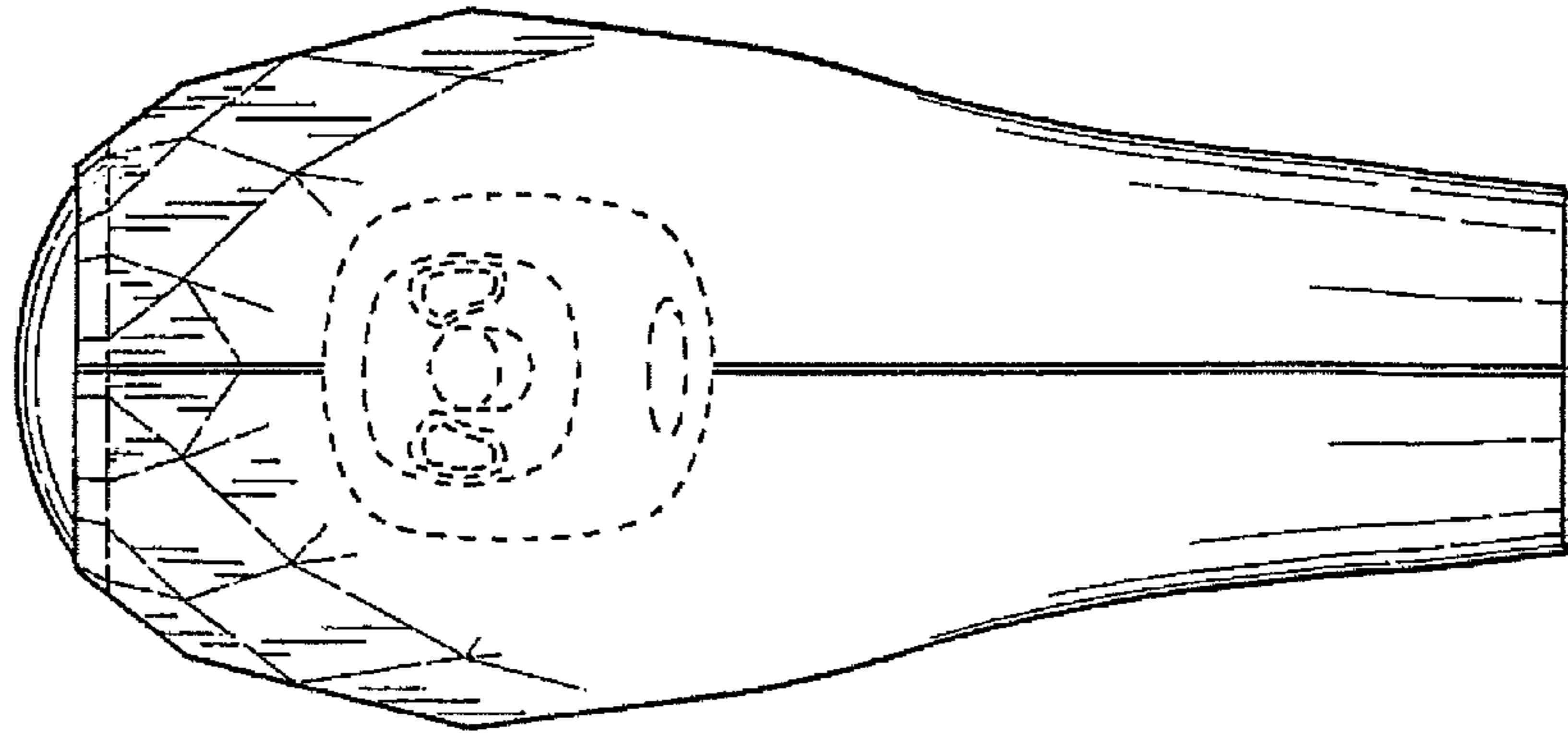


FIG. 2

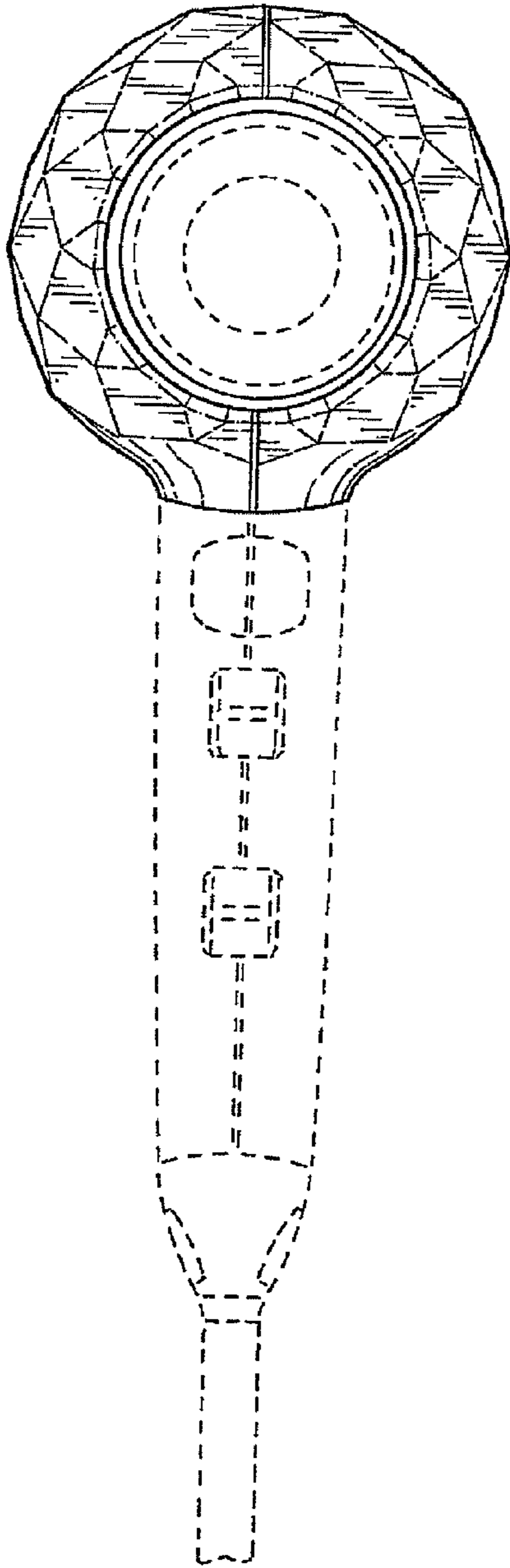


FIG.3

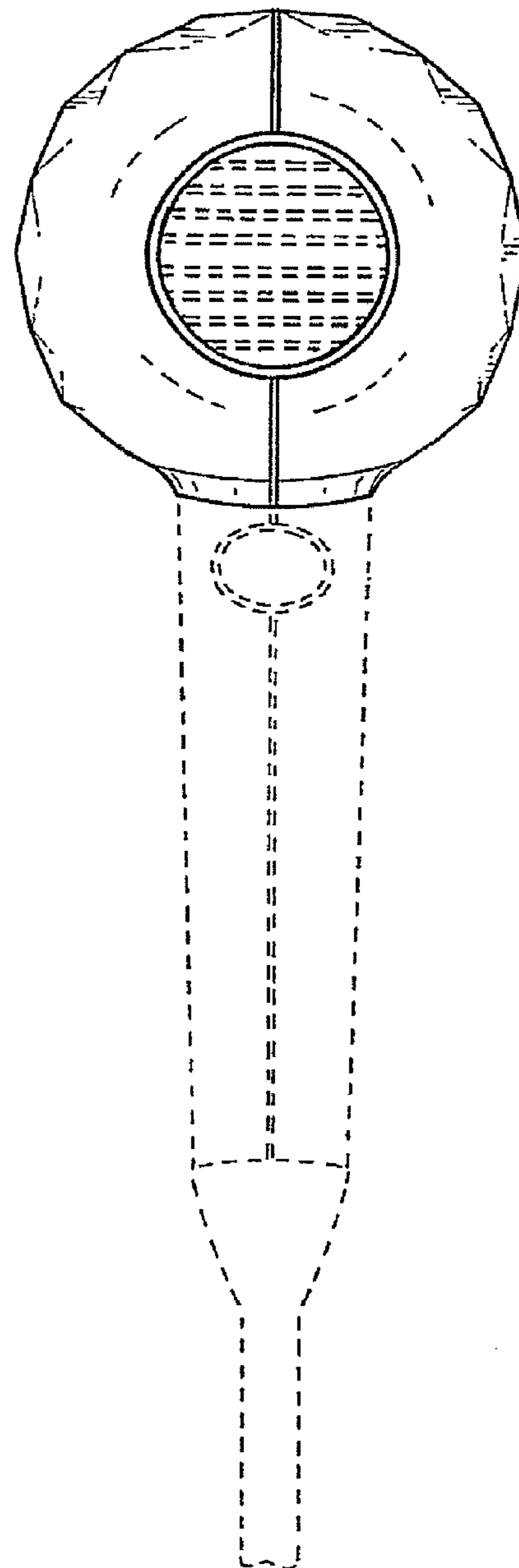


FIG.4

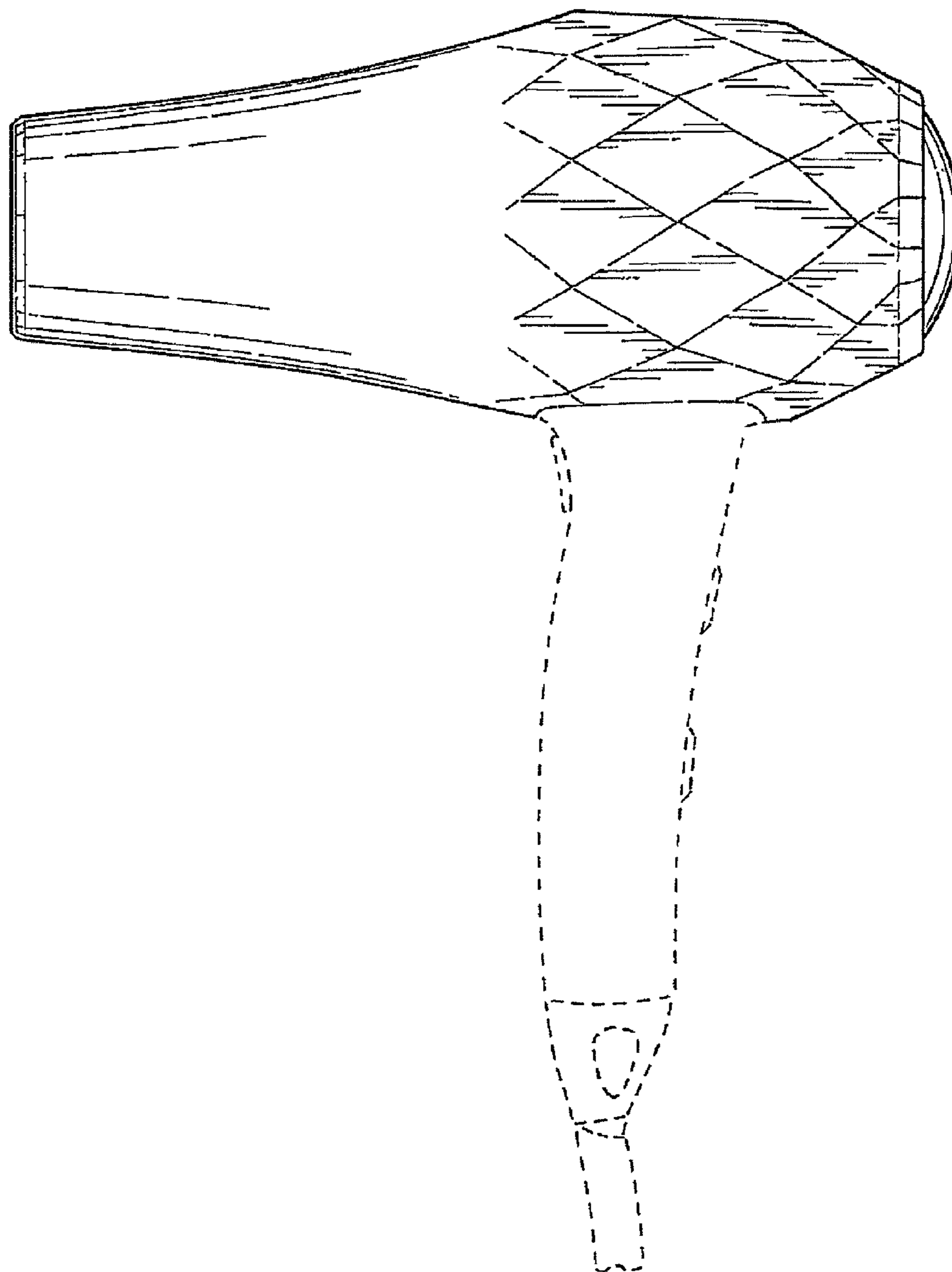


FIG.5

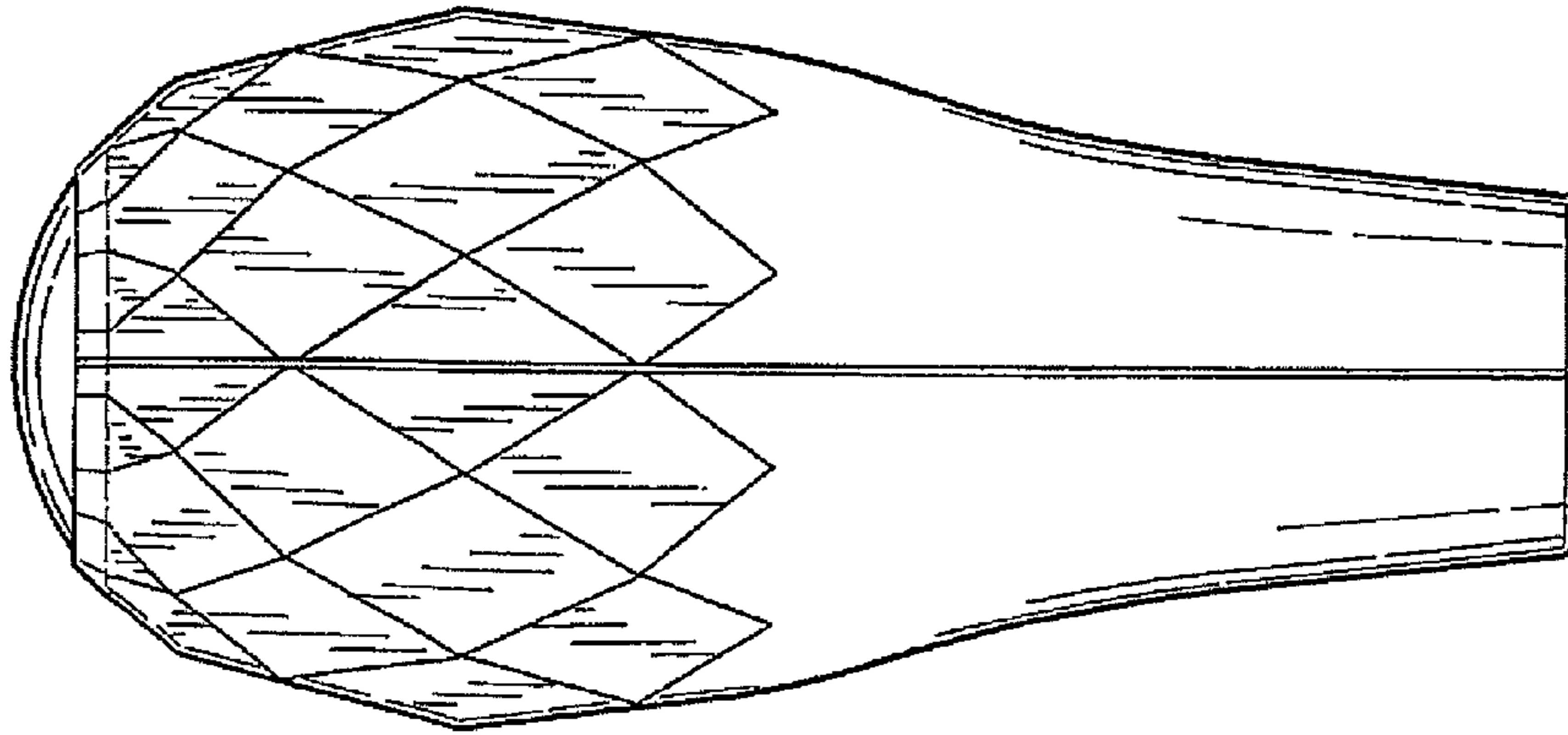


FIG. 7

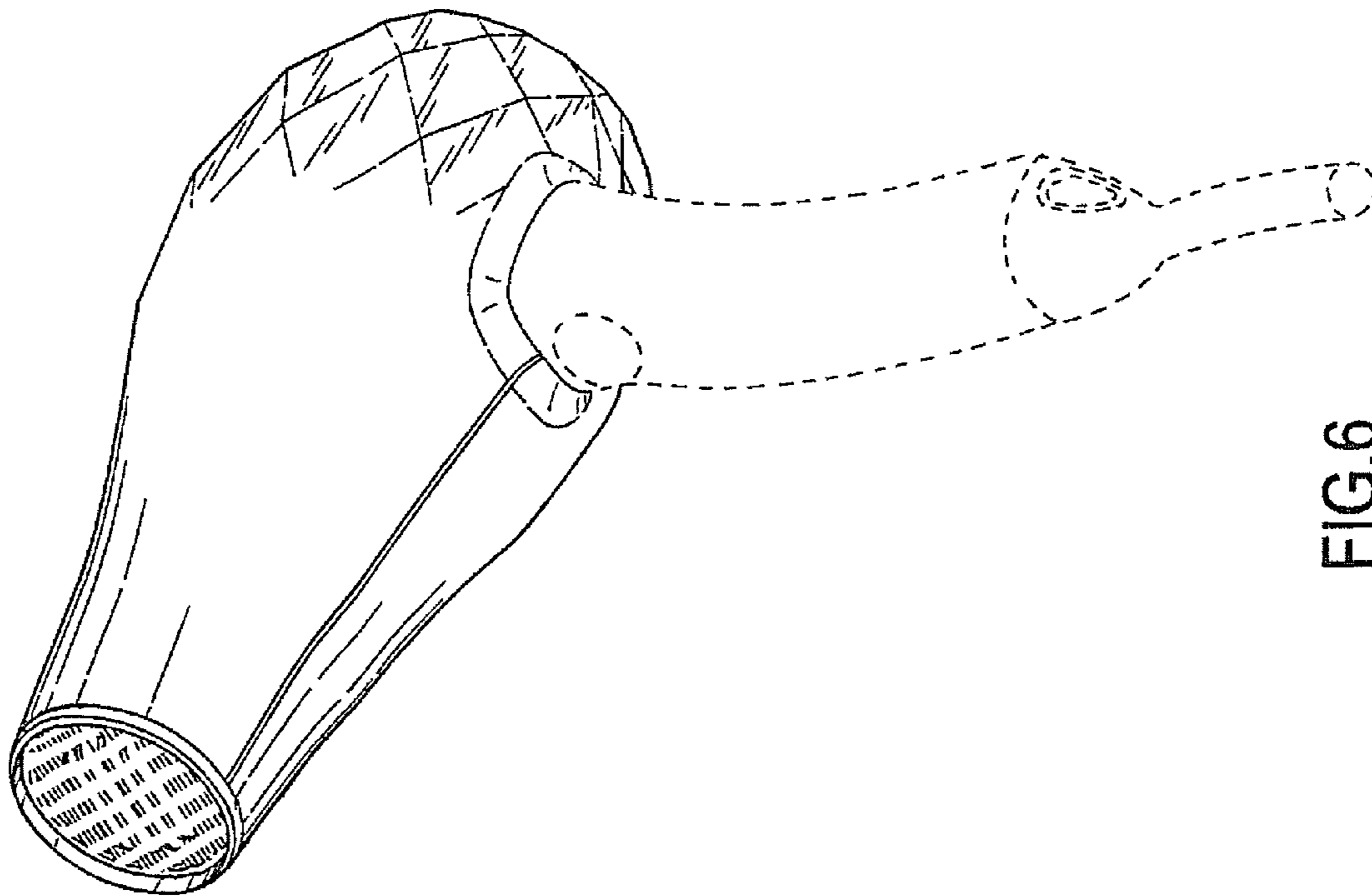


FIG. 6