



US00D726364S

(12) **United States Design Patent**  
**Weigensberg**

(10) **Patent No.:** **US D726,364 S**  
(45) **Date of Patent:** **\*\* Apr. 7, 2015**

- (54) **CARTOMIZER PLUG FOR ELECTRONIC CIGARETTE**
- (71) Applicant: **SIS Resources Ltd.**, Beit Shemesh (IL)
- (72) Inventor: **Aaron Arye Weigensberg**, Modiin (IL)
- (73) Assignee: **SIS Resources Ltd.**, Beit Shemesh (IL)
- (\*\*) Term: **14 Years**
- (21) Appl. No.: **29/456,108**
- (22) Filed: **May 29, 2013**
- (51) **LOC (10) Cl.** ..... **27-01**
- (52) **U.S. Cl.**  
USPC ..... **D27/101**
- (58) **Field of Classification Search**  
USPC ..... D27/100, 101, 103, 104, 105, 108, 170,  
D27/172, 174, 189, 190; D13/133, 139.1,  
D13/144, 171, 183; D19/65, 90; D8/310,  
D8/312, 331, 323, 387, 391; D7/393;  
D34/10; D23/262; 392/390, 394, 395  
See application file for complete search history.

(56) **References Cited**

**U.S. PATENT DOCUMENTS**

1,991,561	A *	2/1935	Krantz	.....	411/473
D204,203	S	3/1966	Maffei et al.		
3,560,690	A	2/1971	Luce et al.		
D298,506	S *	11/1988	Lee	.....	D7/393
D331,653	S	12/1992	Stone		
D344,662	S *	3/1994	Dittman	.....	D8/14
5,499,427	A	3/1996	Bowman		
5,542,273	A *	8/1996	Bednarz	.....	70/34
D388,316	S *	12/1997	McDonough et al.	.....	D8/387
D397,907	S	9/1998	Dodane		
D414,207	S *	9/1999	Wagner et al.	.....	D19/65
D426,146	S	6/2000	Bruns et al.		
D434,962	S	12/2000	Short		
D437,209	S *	2/2001	McDonough et al.	.....	D8/387
D454,591	S *	3/2002	Vidmar et al.	.....	D19/90
D470,818	S *	2/2003	Cheng	.....	D13/133

D528,192	S	9/2006	Nicholson		
D545,664	S	7/2007	Fields		
D551,937	S	10/2007	Krumpe et al.		
D558,673	S *	1/2008	Easley	.....	D13/133
D559,073	S	1/2008	Krumpe et al.		
D565,927	S	4/2008	Krumpe		
D579,307	S *	10/2008	Himmelburger	.....	D8/312
D594,735	S *	6/2009	Hofer	.....	D8/349
D623,506	S	9/2010	Ghatikar et al.		
D623,507	S *	9/2010	Bowen, III	.....	D8/391
D633,870	S *	3/2011	Thommes	.....	D13/139.1
D639,650	S *	6/2011	Summers	.....	D8/387
D642,548	S *	8/2011	Bowen, III	.....	D13/183
D670,471	S	11/2012	Brown et al.		
D676,877	S *	2/2013	Drenth et al.	.....	D15/21
D691,020	S	10/2013	Wiese		

(Continued)

**OTHER PUBLICATIONS**

Notice of Allowance for corresponding U.S. Appl. No. 29/456,109 dated Nov. 21, 2014.

*Primary Examiner* — Barbara Fox

*Assistant Examiner* — Chelsea Sealey

(74) *Attorney, Agent, or Firm* — Harness, Dickey & Pierce

(57) **CLAIM**

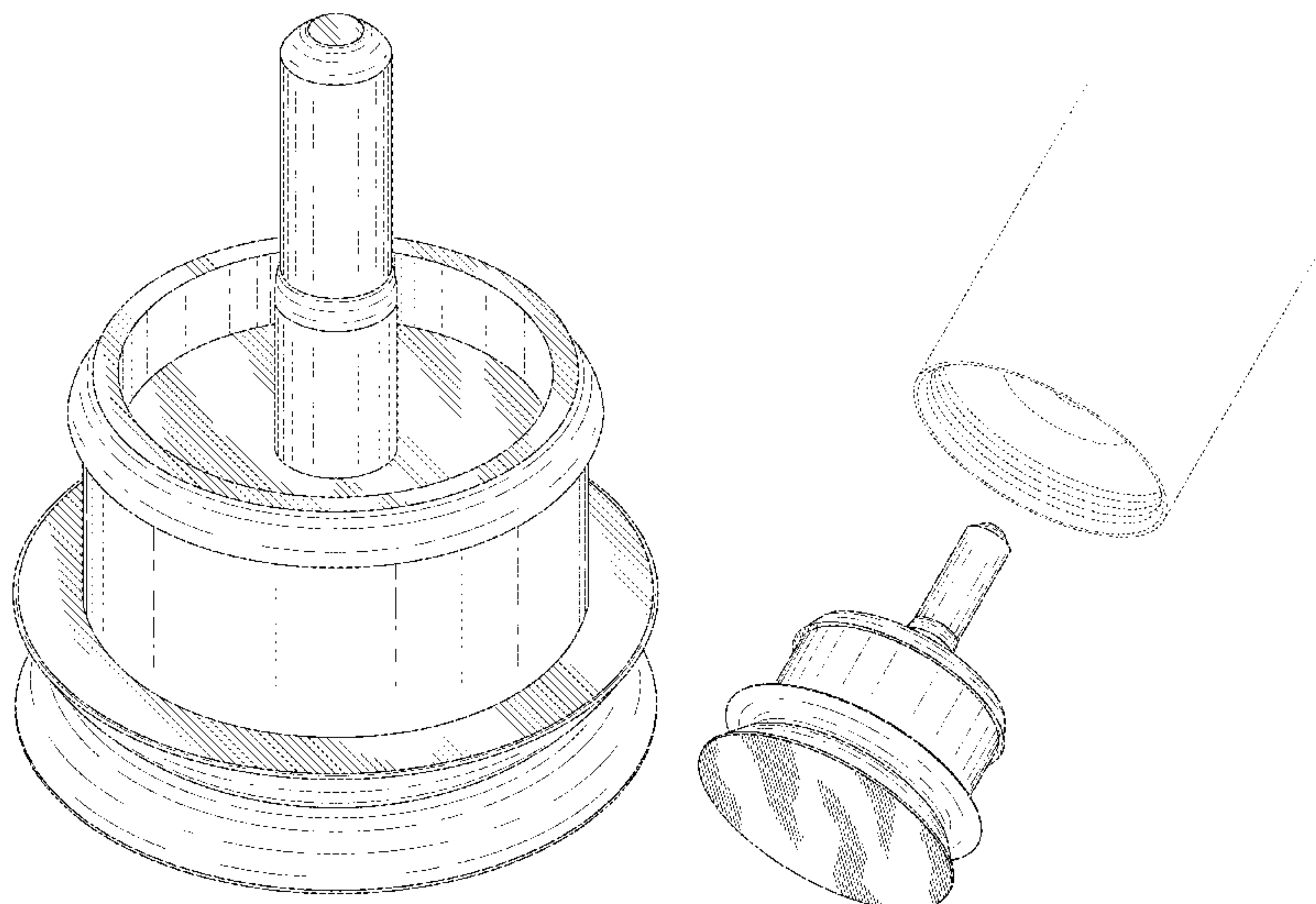
I claim the ornamental design for a cartomizer plug for electronic cigarette, as shown and described.

**DESCRIPTION**

FIG. 1 is a side elevation view of a cartomizer plug for electronic cigarette showing my new design; FIG. 2 is a top plan view thereof; FIG. 3 is a bottom plan view thereof; FIG. 4 is a perspective view thereof; FIG. 5 is a perspective view thereof; and, FIG. 6 is a bottom perspective view of the plug as inserted into a cartomizer.

The broken lines depict environmental subject matter only and form no part of the claimed design.

**1 Claim, 6 Drawing Sheets**



# US D726,364 S

Page 2

---

(56)

## References Cited

U.S. PATENT DOCUMENTS

D709,995 S *	7/2014	Crabbe et al.	.....	D23/262
D712,242 S	9/2014	Deneve		
2010/0139046 A1	6/2010	Daniels et al.		
D699,554 S *	2/2014	David	.....	D8/387

\* cited by examiner

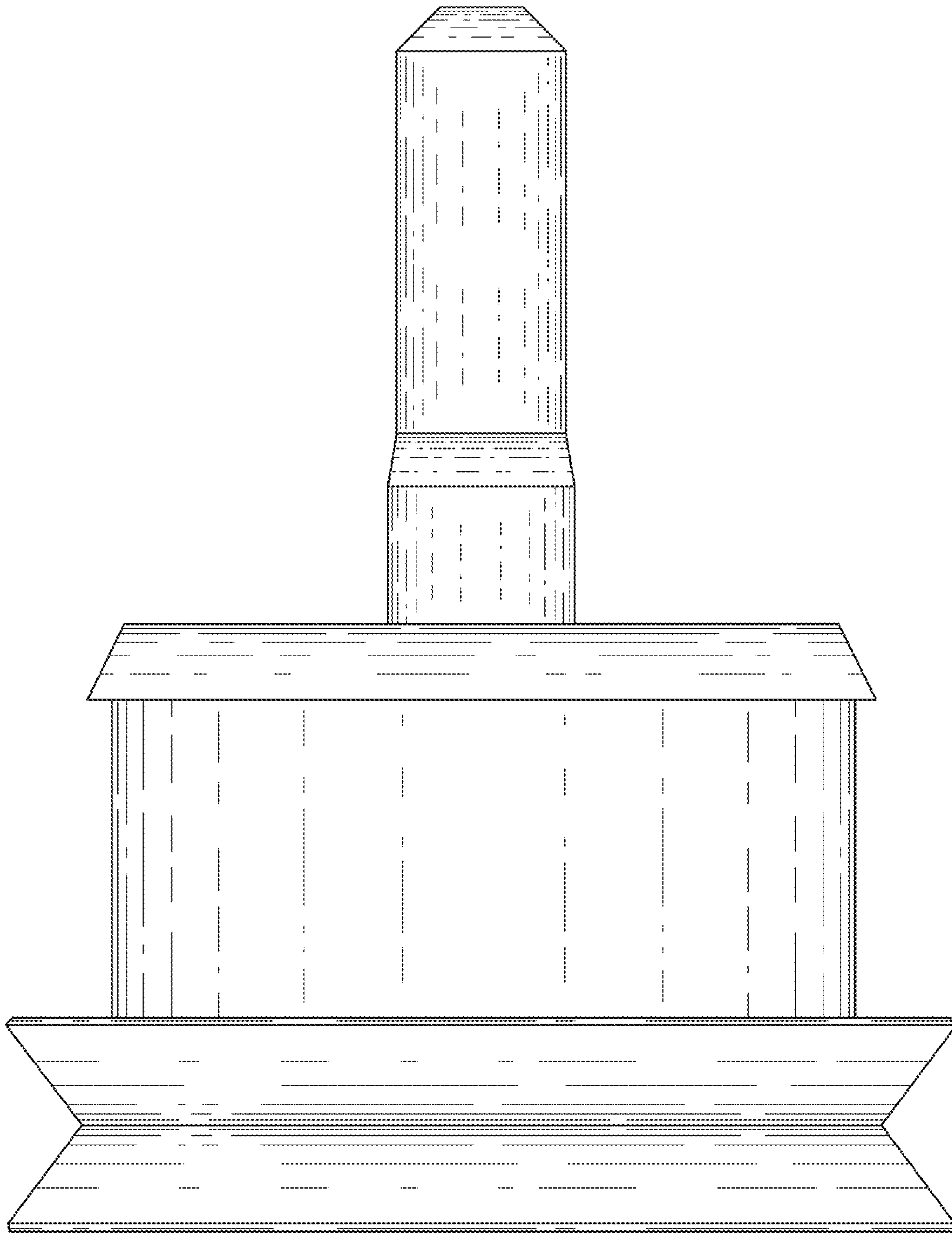


Fig. 1



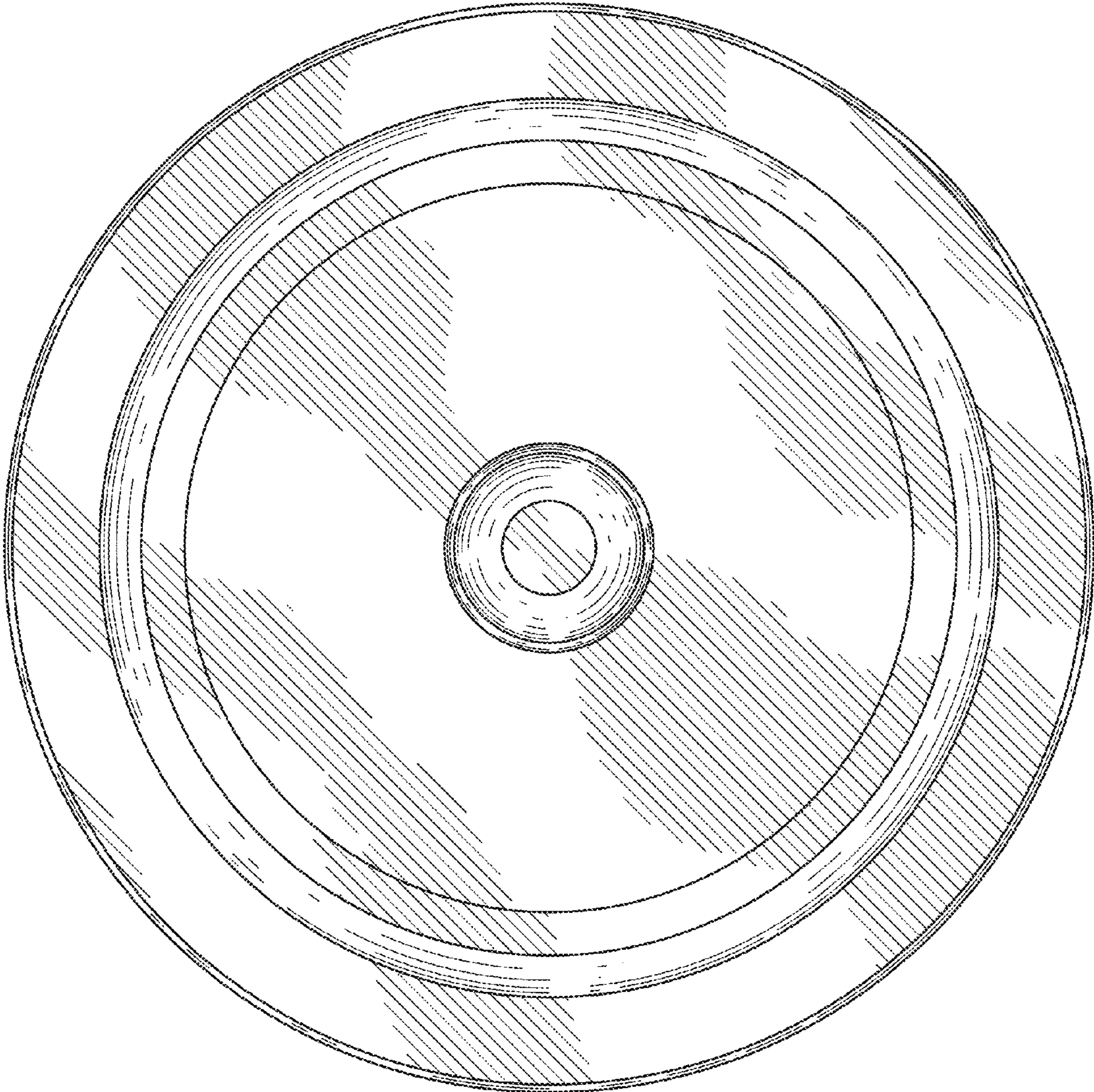


Fig. 2

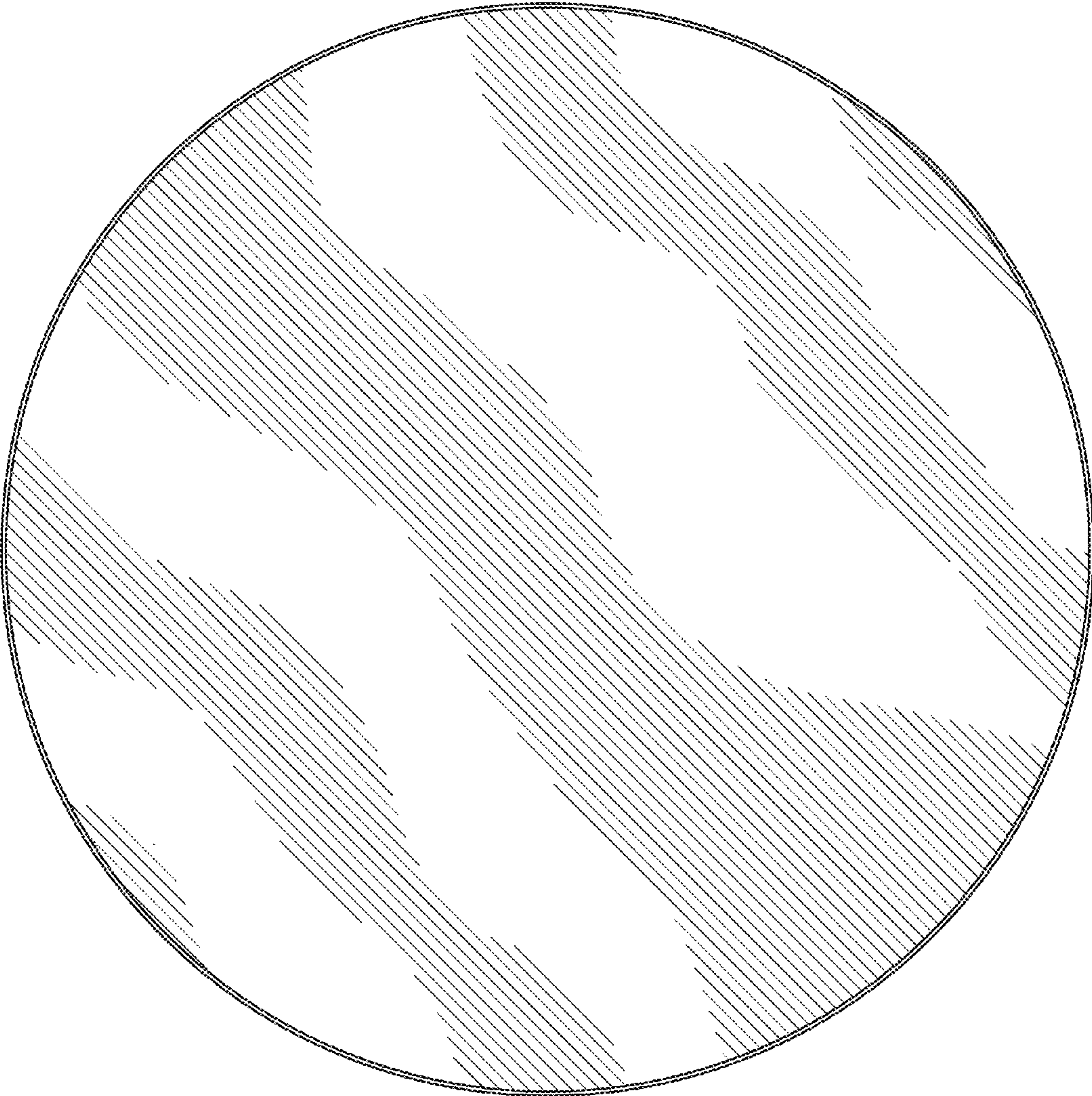


Fig. 3



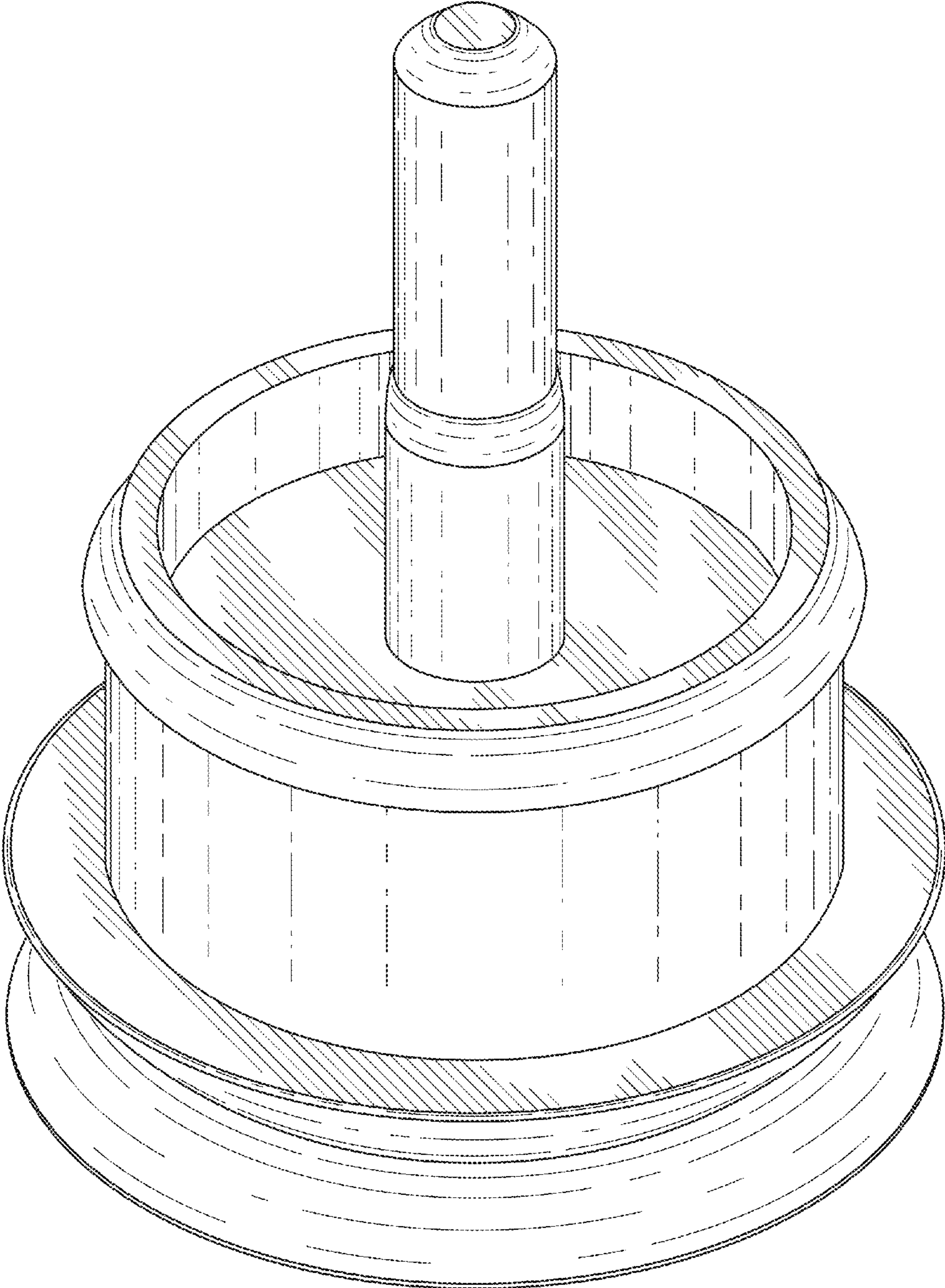


Fig. 4

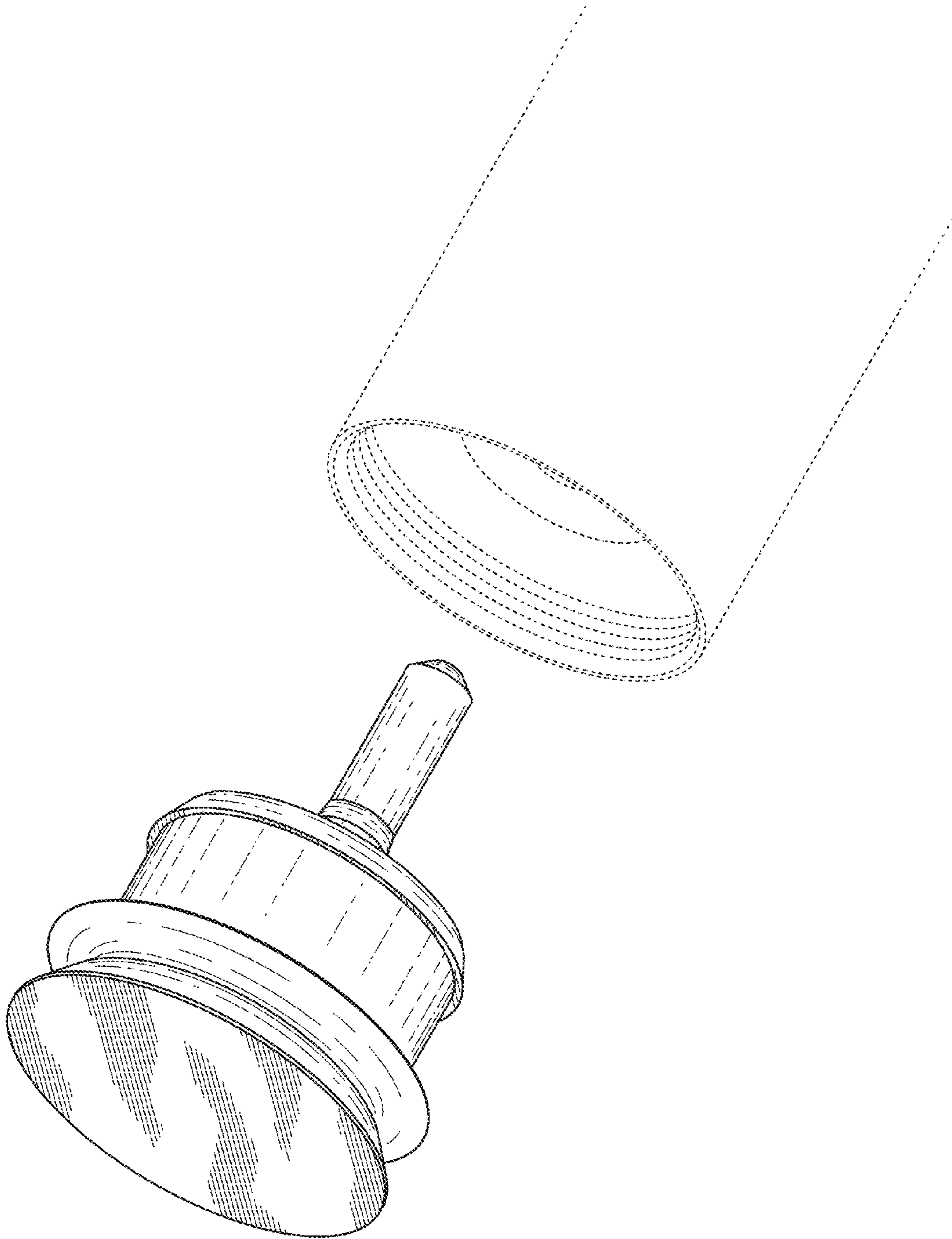


Fig. 5

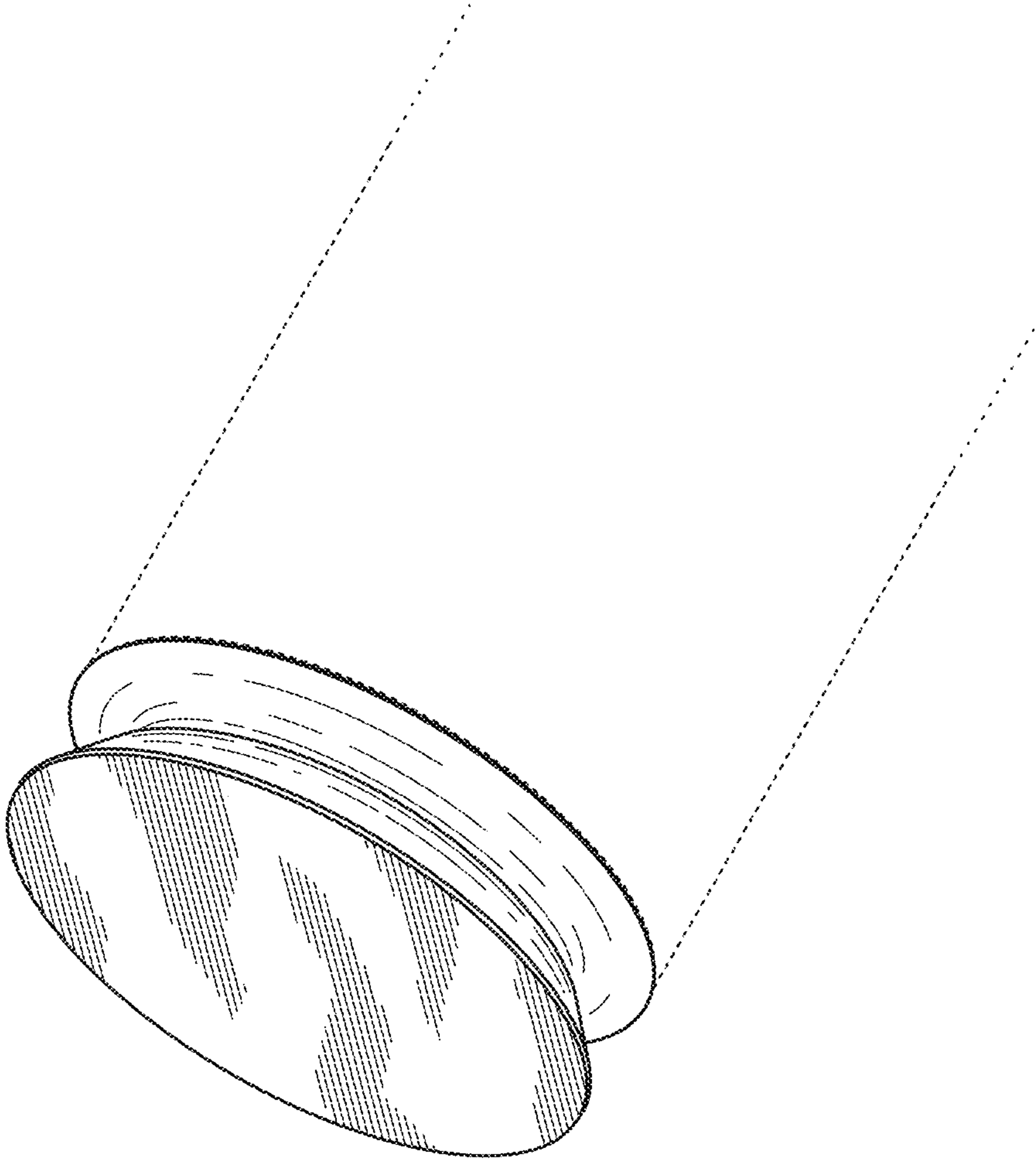


Fig. 6