



US00D726363S

(12) **United States Design Patent**
Danesh

(10) **Patent No.:** **US D726,363 S**

(45) **Date of Patent:** **** Apr. 7, 2015**

(54) **RECESSED LIGHT FIXTURE INSTALLATION FRAME**

(71) Applicant: **Michael D. Danesh**, Beverly Hills, CA (US)

(72) Inventor: **Michael D. Danesh**, Beverly Hills, CA (US)

(**) Term: **14 Years**

(21) Appl. No.: **29/467,026**

(22) Filed: **Sep. 13, 2013**

(51) **LOC (10) Cl.** **26-99**

(52) **U.S. Cl.**
USPC **D26/138**

(58) **Field of Classification Search**
CPC F21S 6/00; F21S 6/004; F21S 6/006; F21S 8/00; F21S 8/024; F21S 8/026; F21S 8/031; F21S 8/033; F21S 8/035-8/037; F21S 8/04; F21S 8/043; F21S 8/063; F21V 17/02; F21V 17/04; F21V 17/06; F21V 21/002; F21V 21/02; F21V 21/03; F21V 21/04; F21V 21/14; F21V 23/02; F21V 23/04; F21V 23/0442
USPC D26/24, 26, 39, 42, 67, 68, 72, 74, 75, D26/76, 78, 81, 83, 85, 88, 89, 91, 104, 108, D26/113, 118, 119, 120, 121, 122, 123, 128, D26/138, 139, 140, 142; 362/23.07, 23.09, 362/23.16, 217.01, 217.02, 217.05, 217.08, 362/217.09, 218, 249.02, 260, 294, 311.02, 362/362, 364, 391, 555, 612, 614, 800; D13/179, 180; D25/119, 122, 124, 125

See application file for complete search history.

(56) **References Cited**

U.S. PATENT DOCUMENTS

D381,111	S	*	7/1997	Lecluze	D26/118
D386,277	S	*	11/1997	Lecluze	D26/118
D387,466	S	*	12/1997	Lecluze	D26/118
6,267,491	B1	*	7/2001	Parrigin	362/362
D488,583	S	*	4/2004	Benghozi	D26/118
D509,314	S	*	9/2005	Rashidi	D26/74
D516,235	S	*	2/2006	Rashidi	D26/74
D660,814	S	*	5/2012	Wilson	D13/180
D694,456	S	*	11/2013	Rowlette et al.	D26/74
2007/0035951	A1	*	2/2007	Tseng	362/294
2009/0280695	A1	*	11/2009	Sekela et al.	439/240
2013/0322062	A1	*	12/2013	Danesh	362/364
2014/0254177	A1	*	9/2014	Danesh	362/363
2014/0355277	A1	*	12/2014	Lin	362/391

* cited by examiner

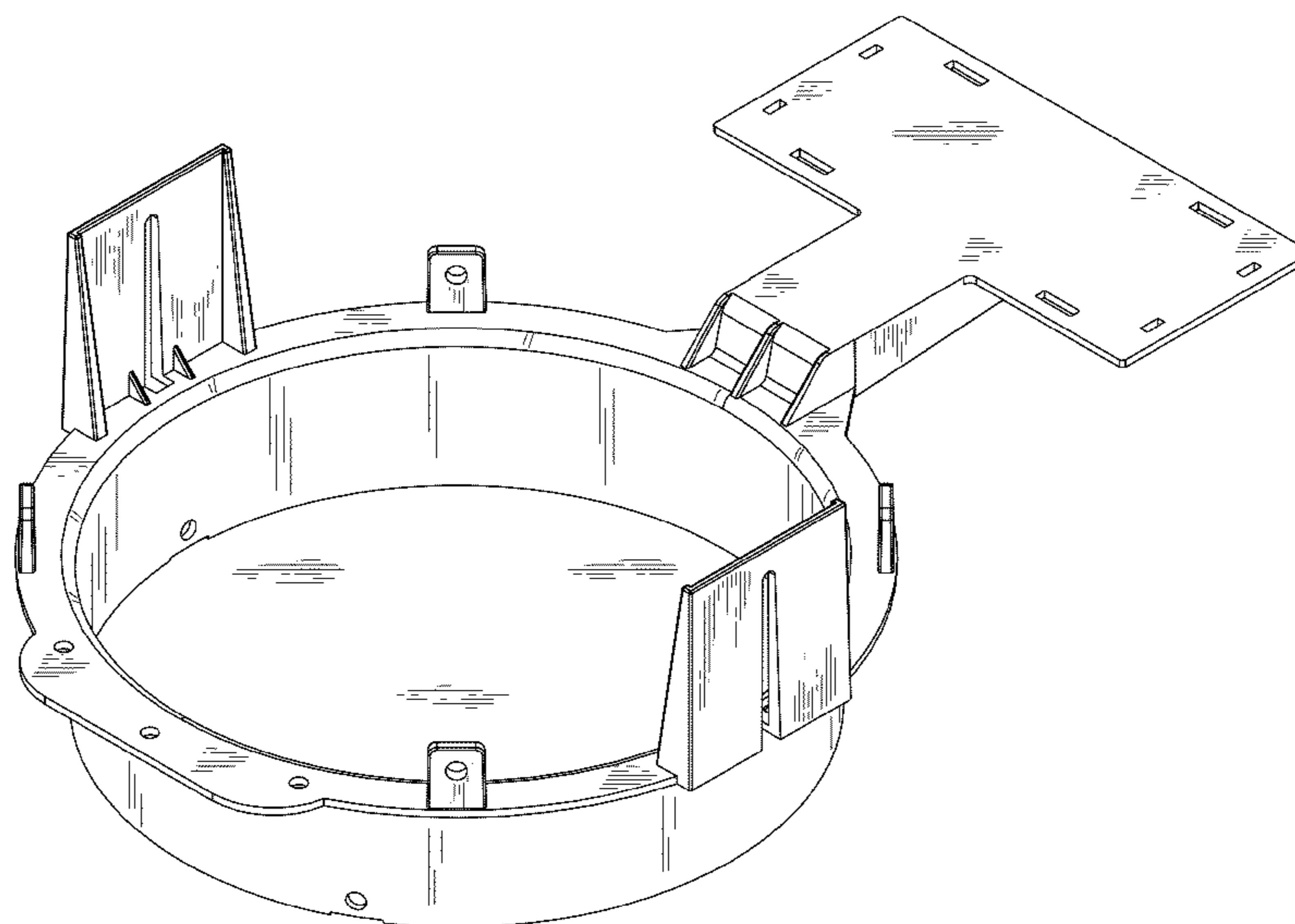
Primary Examiner — Caron D Veynar
Assistant Examiner — Natasha Vujcic
(74) *Attorney, Agent, or Firm* — Blakely, Sokoloff, Taylor & Zafman, LLP

(57) **CLAIM**
The ornamental design for a recessed light fixture installation frame, as shown and described.

DESCRIPTION

FIG. 1 shows an elevated perspective view of a recessed light fixture installation frame.
FIG. 2 is a top view of the frame.
FIG. 3 is a left side view of the frame.
FIG. 4 is a right side view of the frame.
FIG. 5 is a front view of the frame.
FIG. 6 is a rear view of the frame; and,
FIG. 7 is a bottom view of the frame.

1 Claim, 5 Drawing Sheets



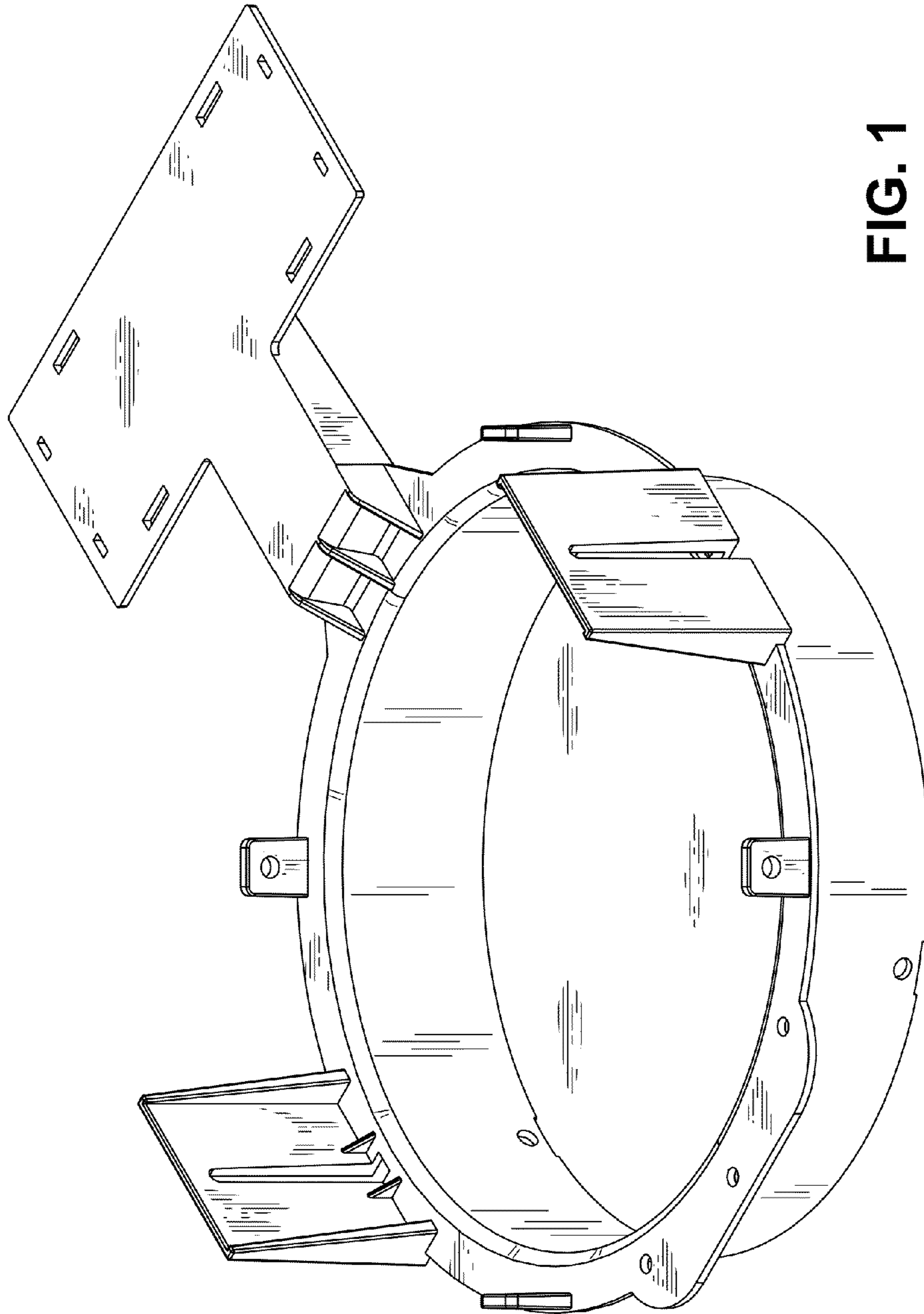


FIG. 1

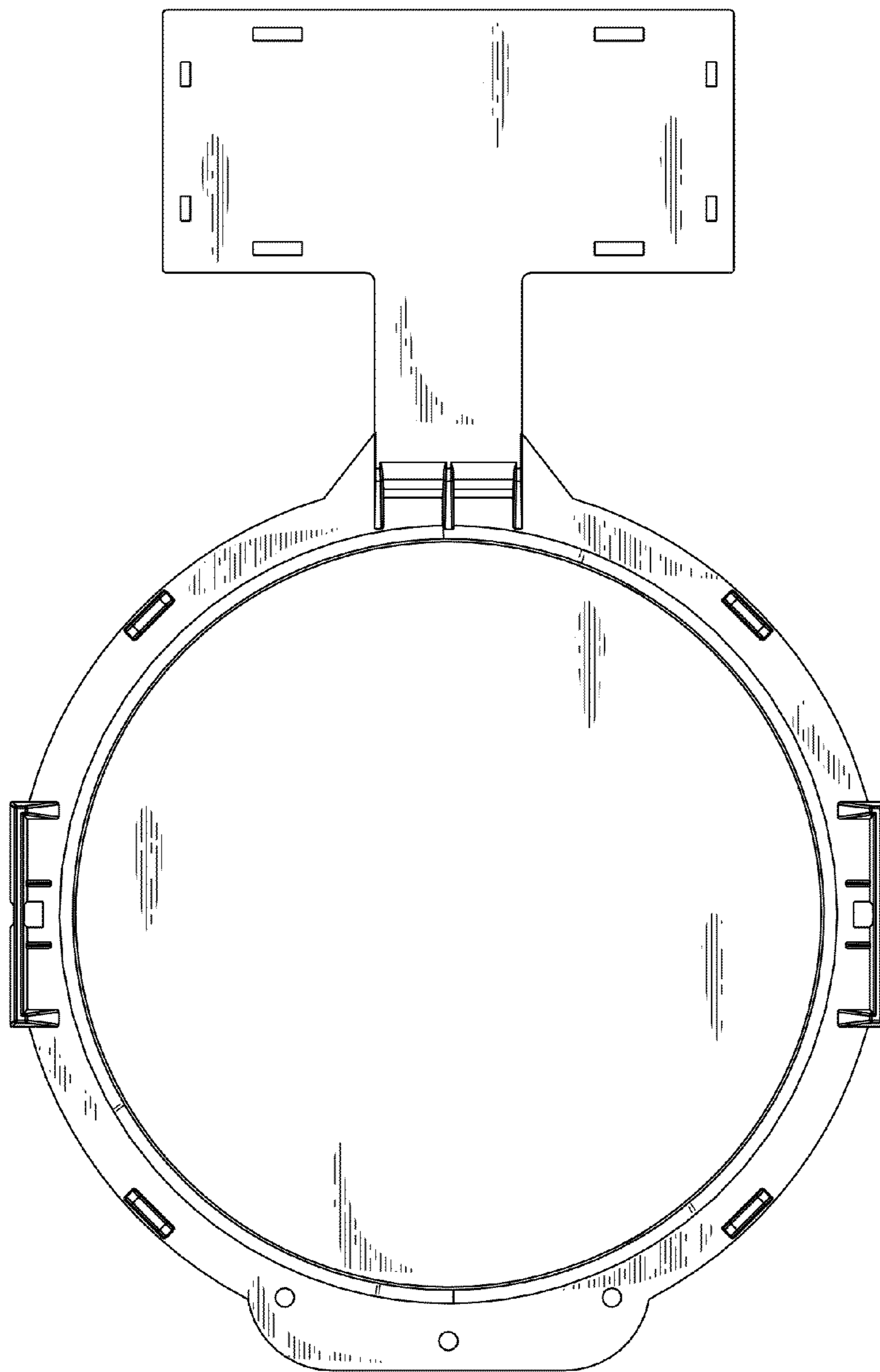


FIG. 2

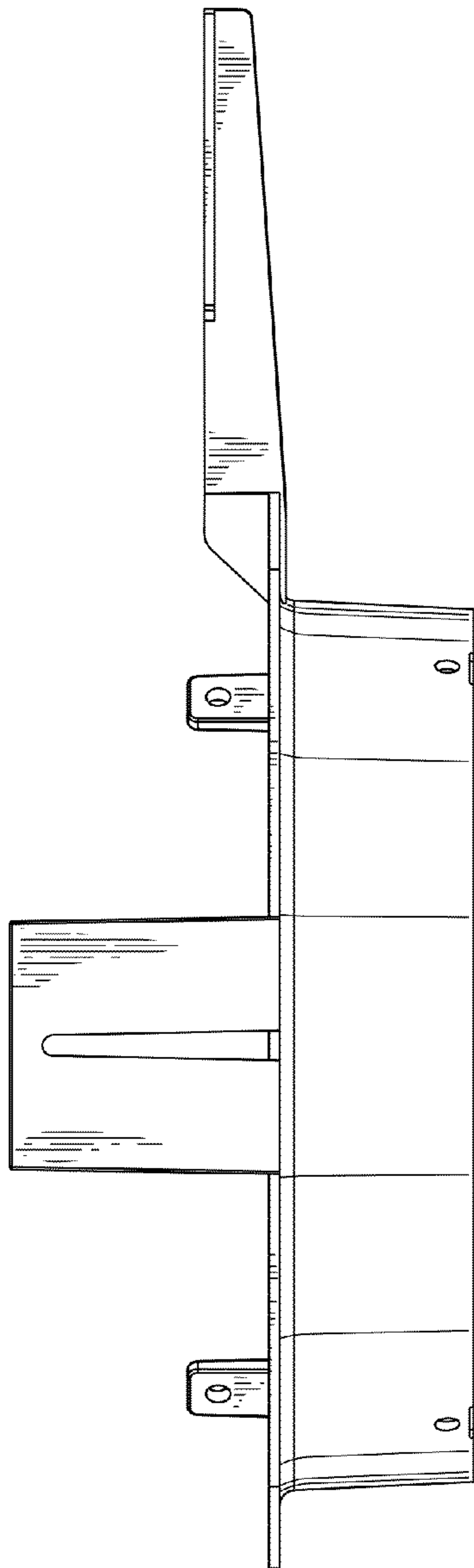


FIG. 3

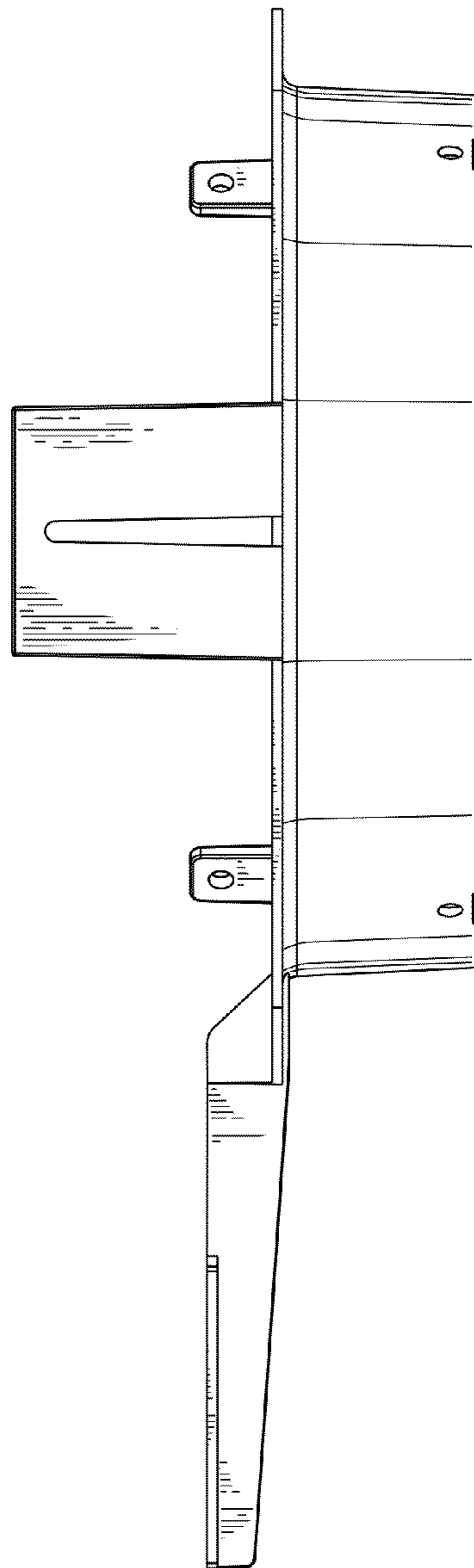


FIG. 4

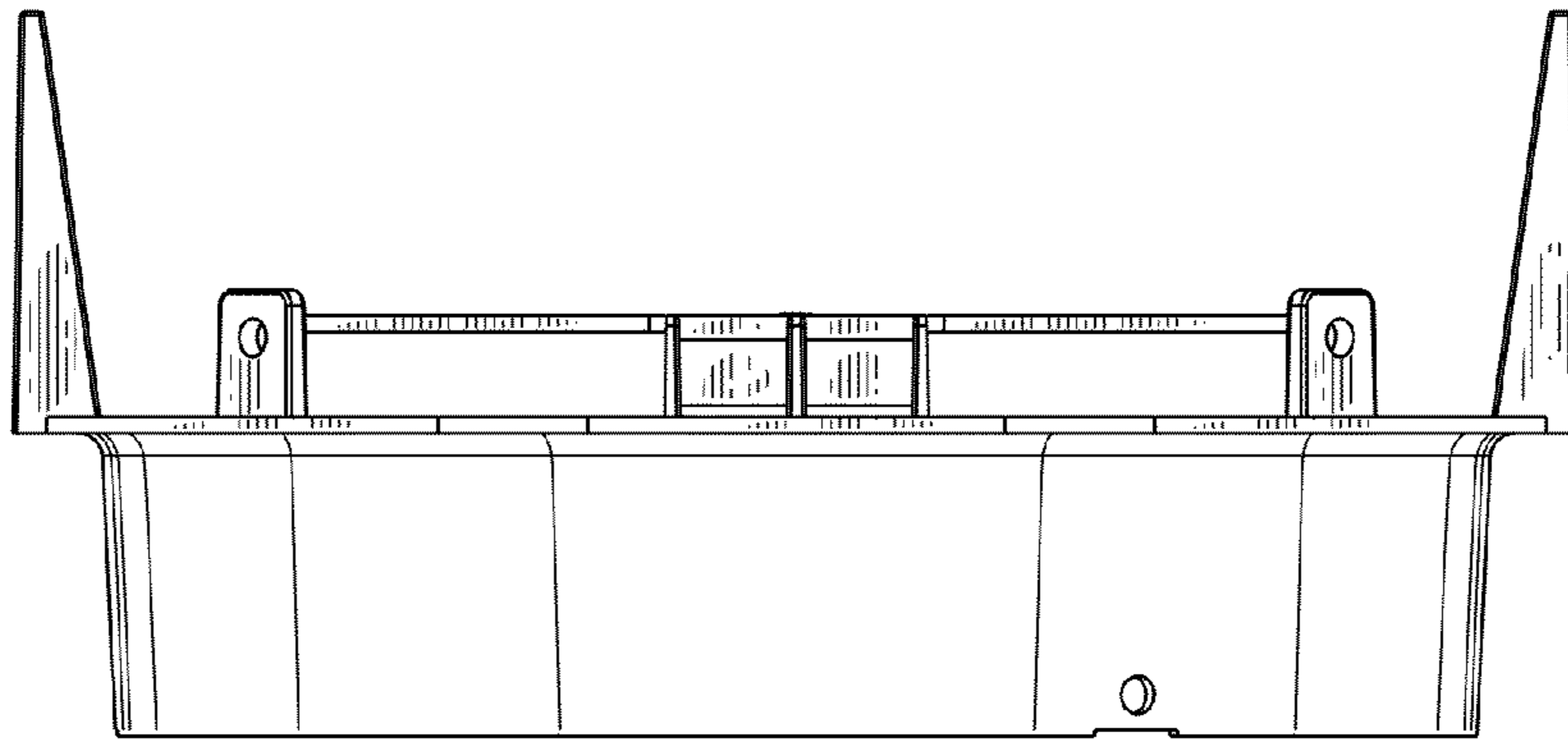


FIG. 5

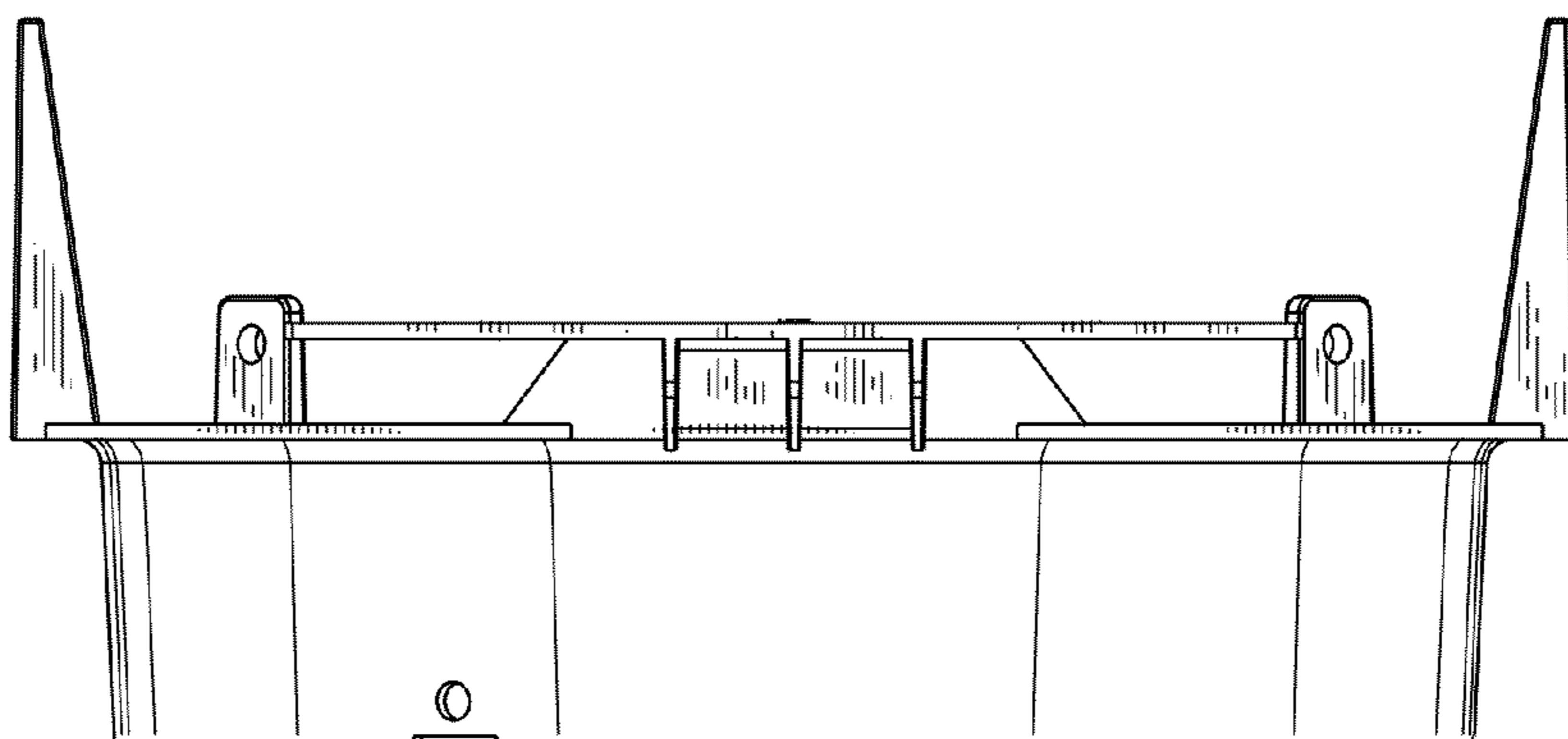


FIG. 6

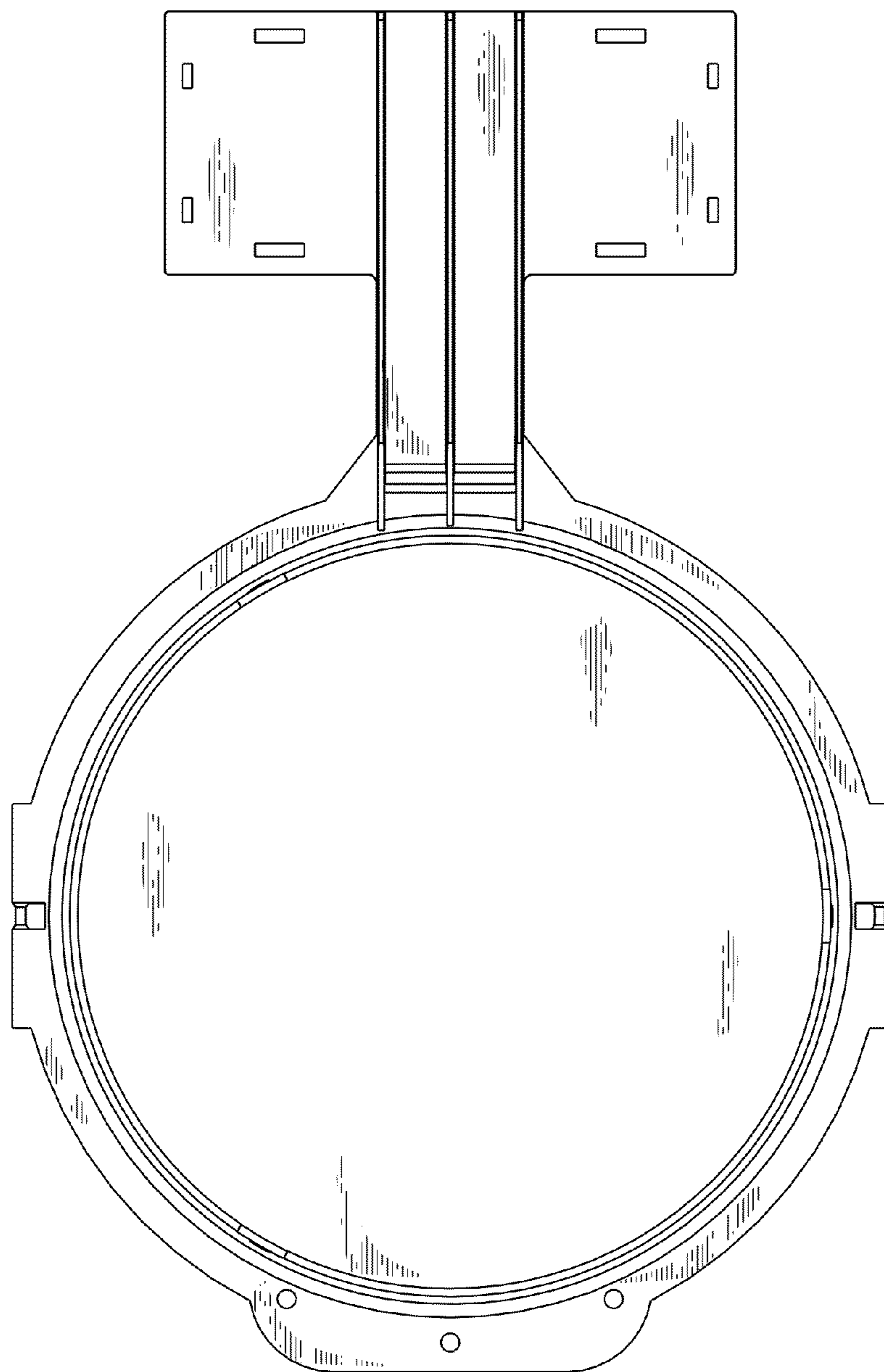


FIG. 7