

US00D726361S

(12) **United States Design Patent**
Rischau et al.

(10) **Patent No.:** **US D726,361 S**

(45) **Date of Patent:** **** Apr. 7, 2015**

(54) **ILLUMINATION DEVICE**

(71) Applicant: **Molex Incorporated**, Lisle, IL (US)

(72) Inventors: **Johann Rischau**, Urbana, IL (US);
Anna Gutsch, Urbana, IL (US);
Mercedes Mane, Mahomet, IL (US);
Bryan Wilcox, Mahomet, IL (US);
Victor Zaderej, St. Charles, IL (US)

(73) Assignee: **Molex Incorporated**, Lisle, IL (US)

(**) Term: **14 Years**

(21) Appl. No.: **29/437,815**

(22) Filed: **Nov. 20, 2012**

(51) **LOC (10) Cl.** **26-03**

(52) **U.S. Cl.**
USPC **D26/107**

(58) **Field of Classification Search**
USPC D26/1, 24, 60, 65, 67, 68, 71, 93, 107,
D26/113, 120, 145; 362/523, 543-544, 546,
362/227, 237, 249.07, 249.11, 410, 432,
362/433

See application file for complete search history.

(56) **References Cited**

U.S. PATENT DOCUMENTS

D122,711 S *	9/1940	May	D26/63
D203,863 S *	2/1966	Neumann	D26/107
D571,943 S *	6/2008	Tragatschnig	D26/61
D627,501 S *	11/2010	Lin et al.	D26/65
D635,707 S *	4/2011	Ng et al.	D26/60
D640,818 S *	6/2011	Ng et al.	D26/107
D655,857 S *	3/2012	Sabernig	D26/113
D674,526 S *	1/2013	Hirai et al.	D26/71
D681,865 S *	5/2013	Lee	D26/93
D698,992 S *	2/2014	Rischau et al.	D26/145
D704,376 S *	5/2014	Rischau et al.	D26/145

* cited by examiner

Primary Examiner — Brian N Vinson

(74) *Attorney, Agent, or Firm* — Banner & Witcoff, Ltd.

(57) **CLAIM**

The ornamental design for an illumination device, as shown and described.

DESCRIPTION

FIG. 1 is a rear isometric view of a first embodiment of an illumination device showing our new design;

FIG. 2 is a rear view thereof;

FIG. 3 is a front view thereof;

FIG. 4 is a left side view thereof;

FIG. 5 is a right side view thereof;

FIG. 6 is a top view thereof;

FIG. 7 is a bottom view thereof;

FIG. 8 is a rear isometric view of a second embodiment of an illumination device showing our new design;

FIG. 9 is a rear view thereof;

FIG. 10 is a front view thereof;

FIG. 11 is a left side view thereof;

FIG. 12 is a right side view thereof;

FIG. 13 is a top view thereof;

FIG. 14 is a bottom view thereof;

FIG. 15 is a rear isometric view of the second embodiment with the lighting modules shown removed for clarity of illustration;

FIG. 16 is a rear view thereof;

FIG. 17 is a front view thereof;

FIG. 18 is a left side view thereof;

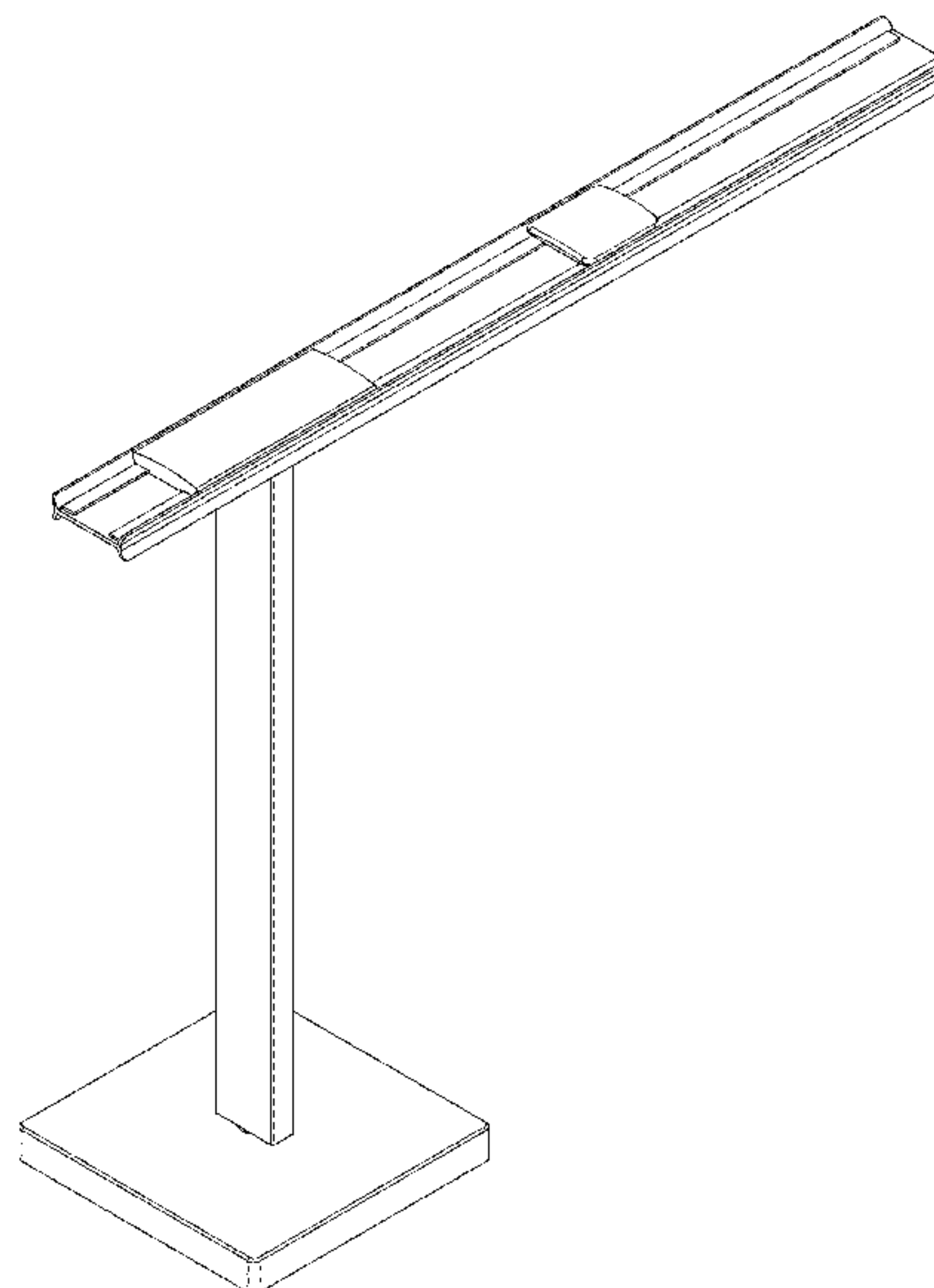
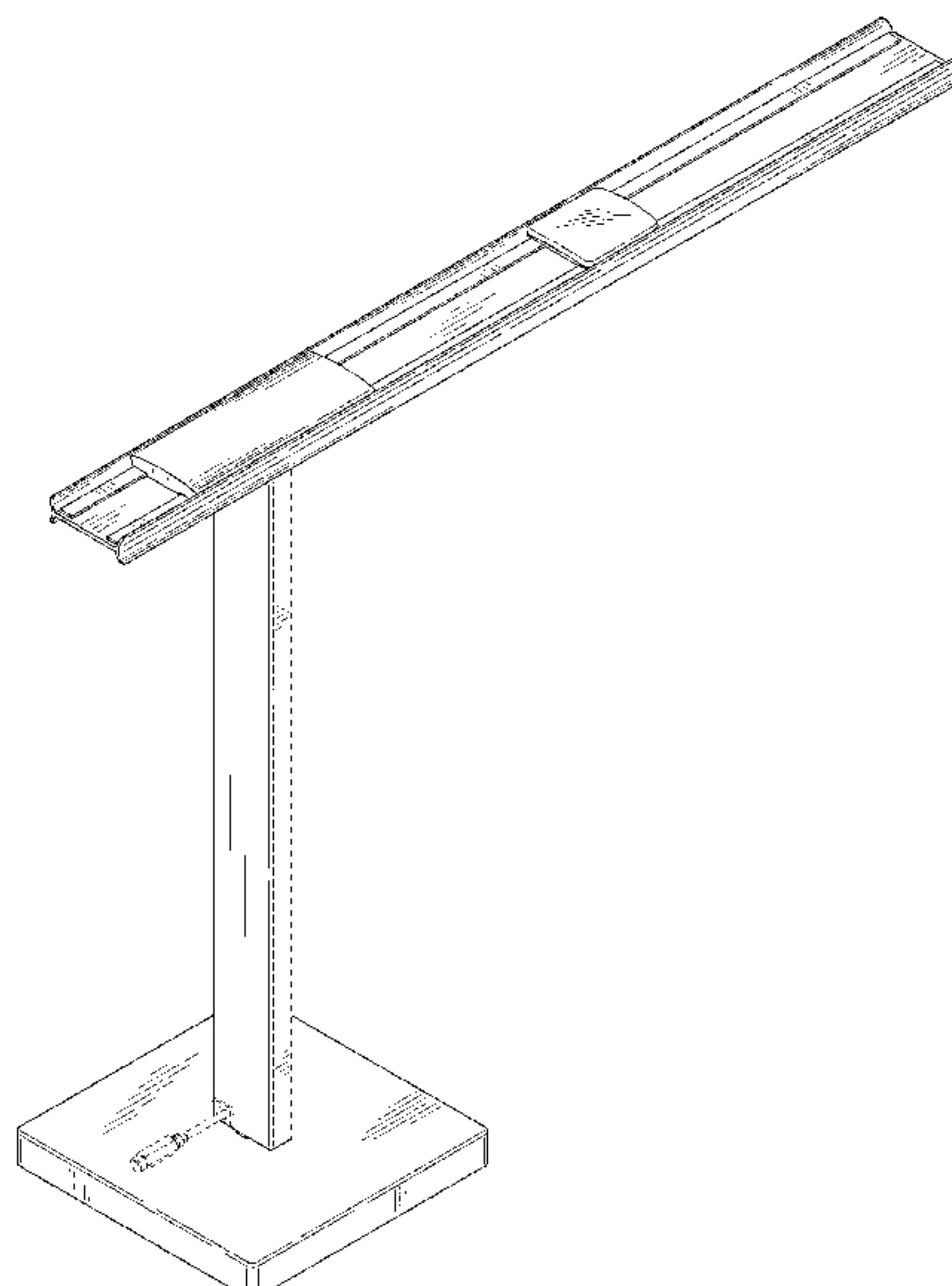
FIG. 19 is a right side view thereof;

FIG. 20 is a top view thereof; and,

FIG. 21 is a bottom plan view thereof.

The broken-line disclosure in first embodiment represents portions of the illumination device which form no part of the claimed design.

1 Claim, 15 Drawing Sheets



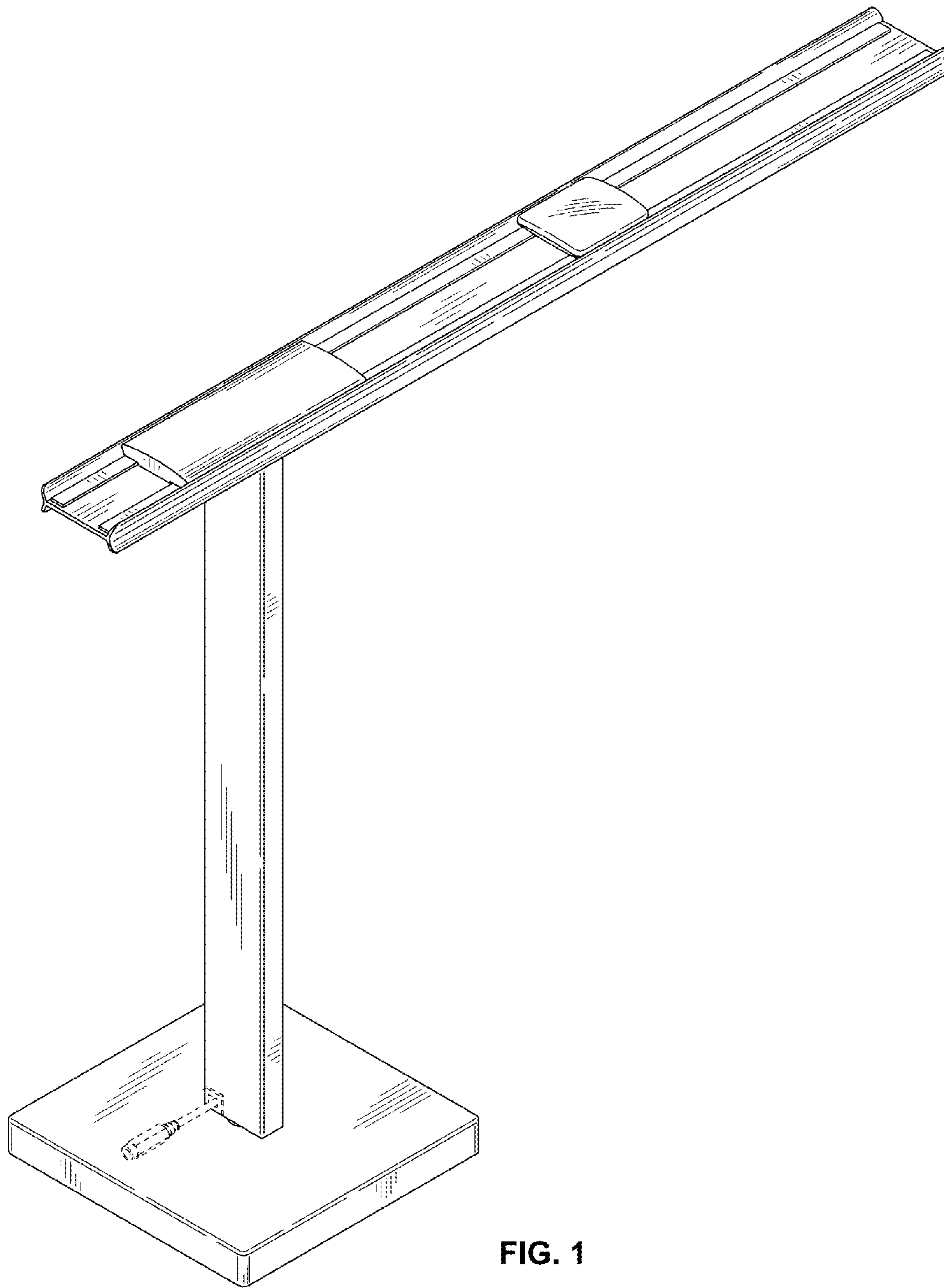


FIG. 1

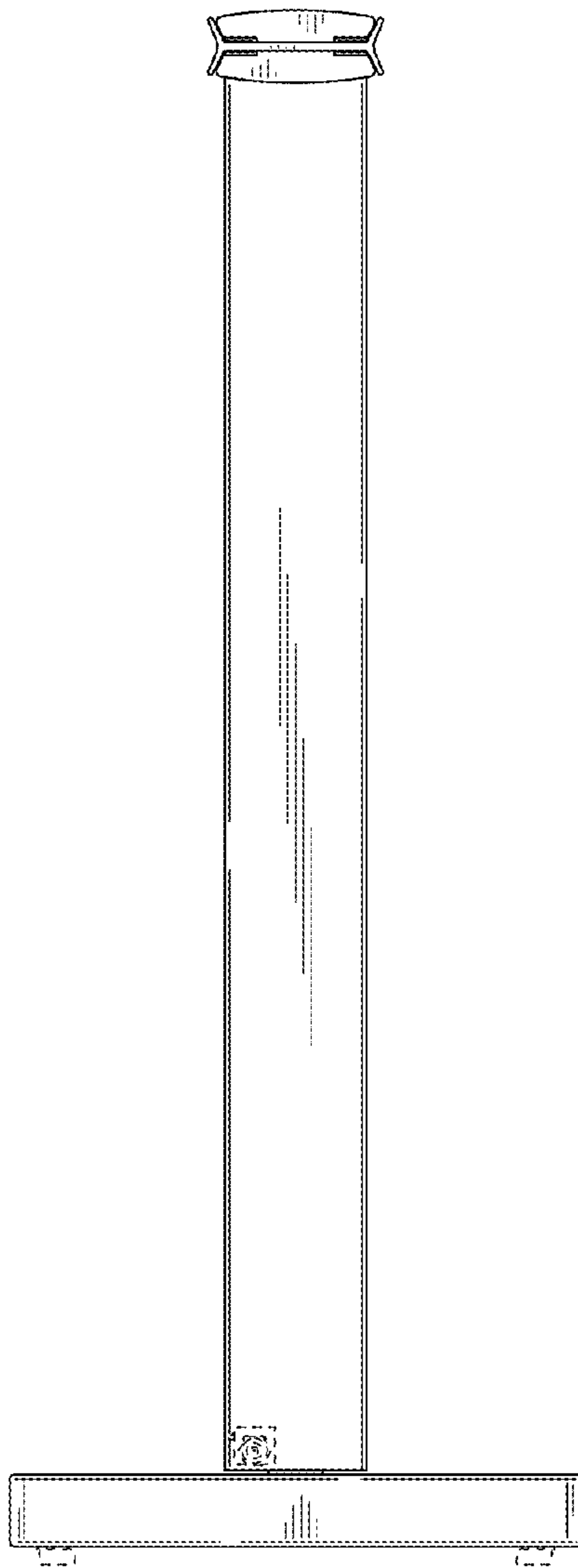


FIG. 2

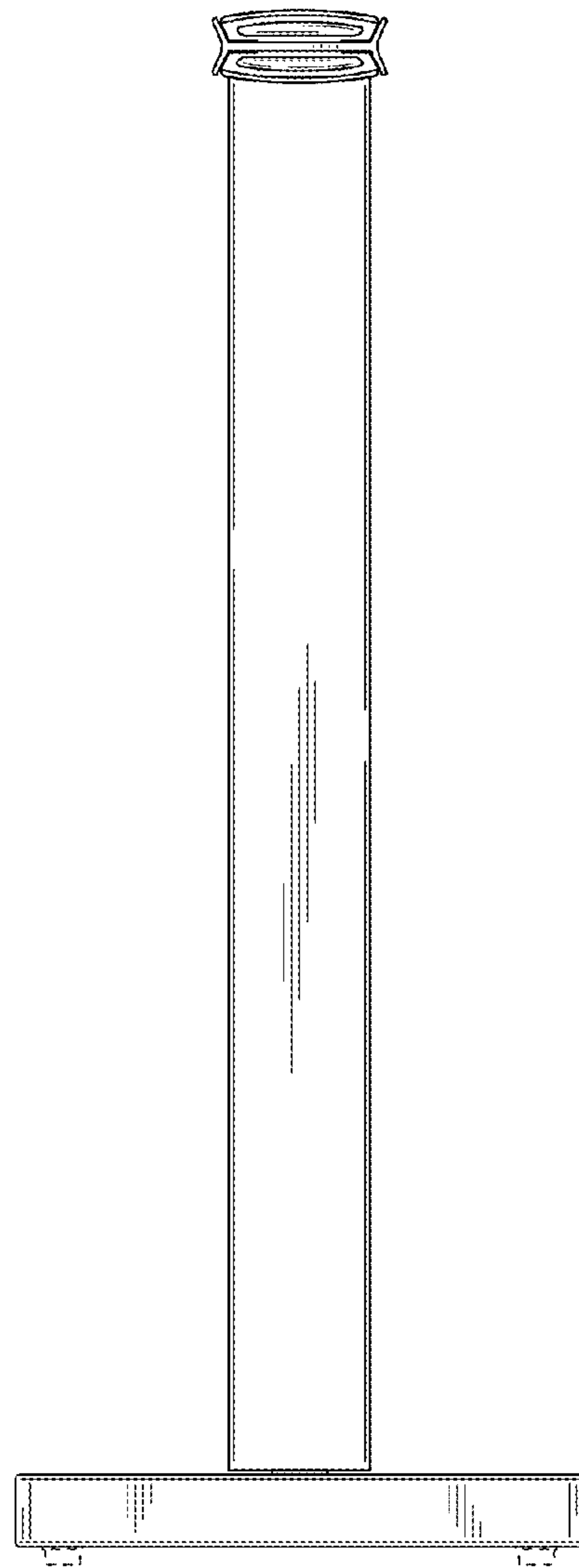


FIG. 3

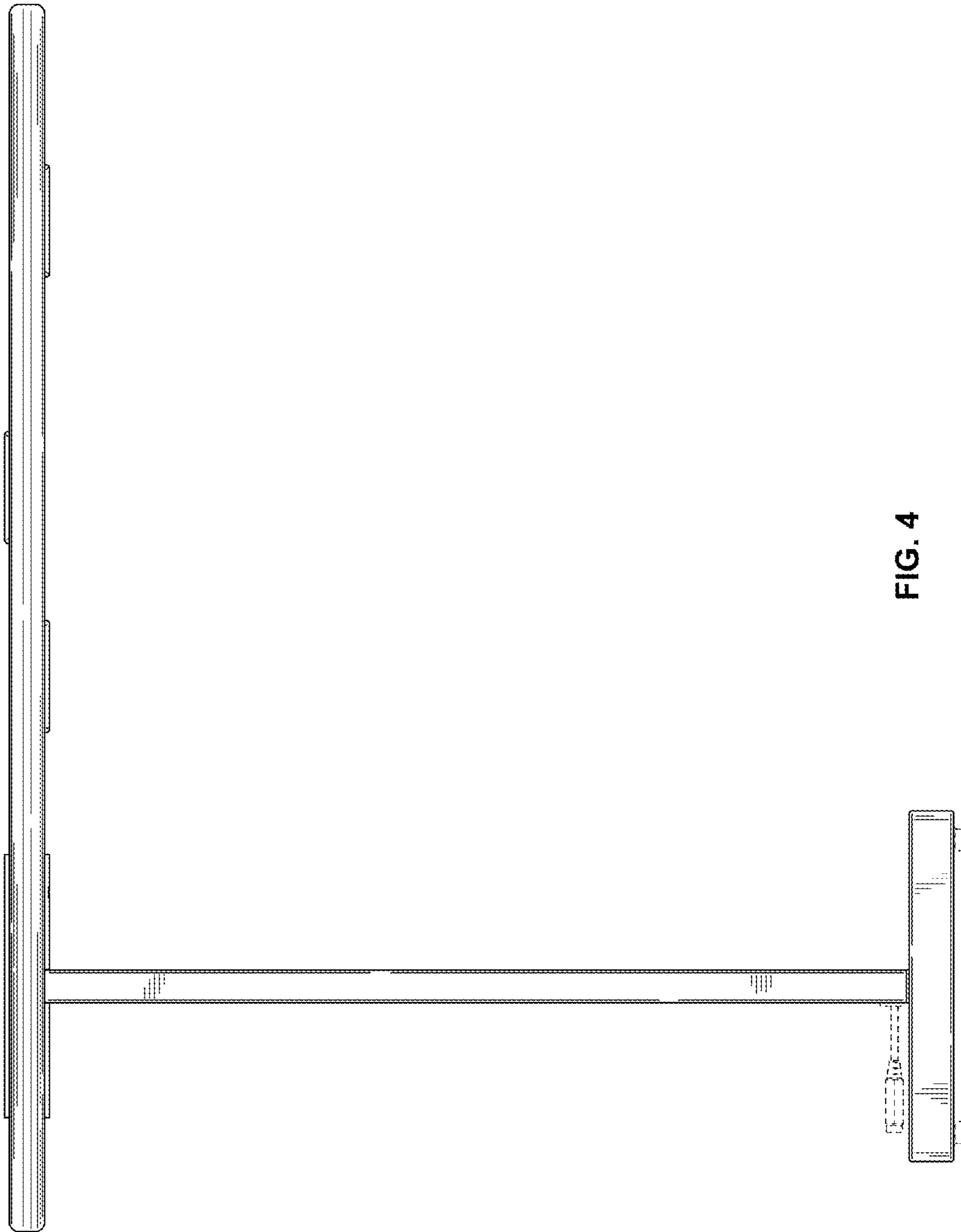


FIG. 4

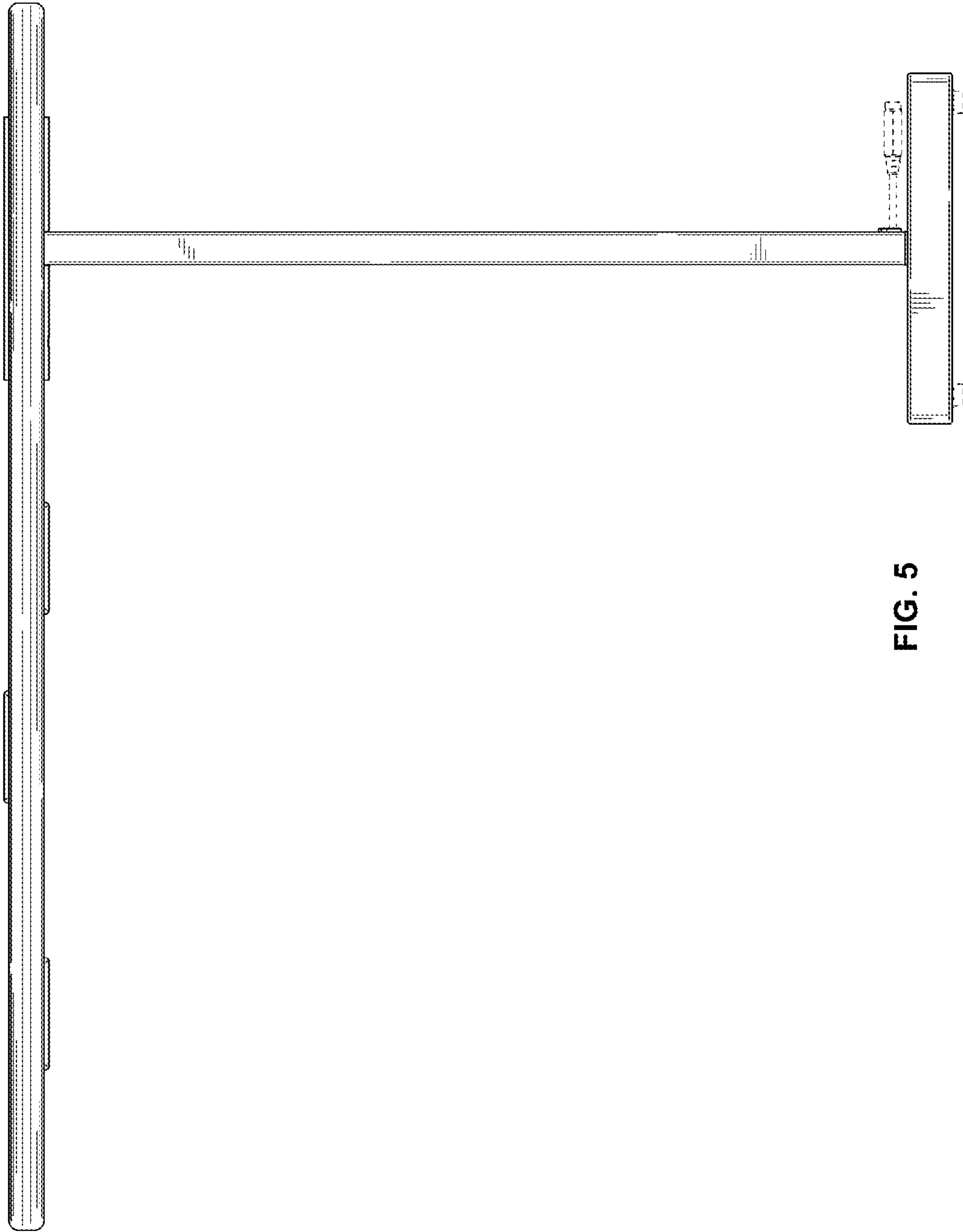


FIG. 5

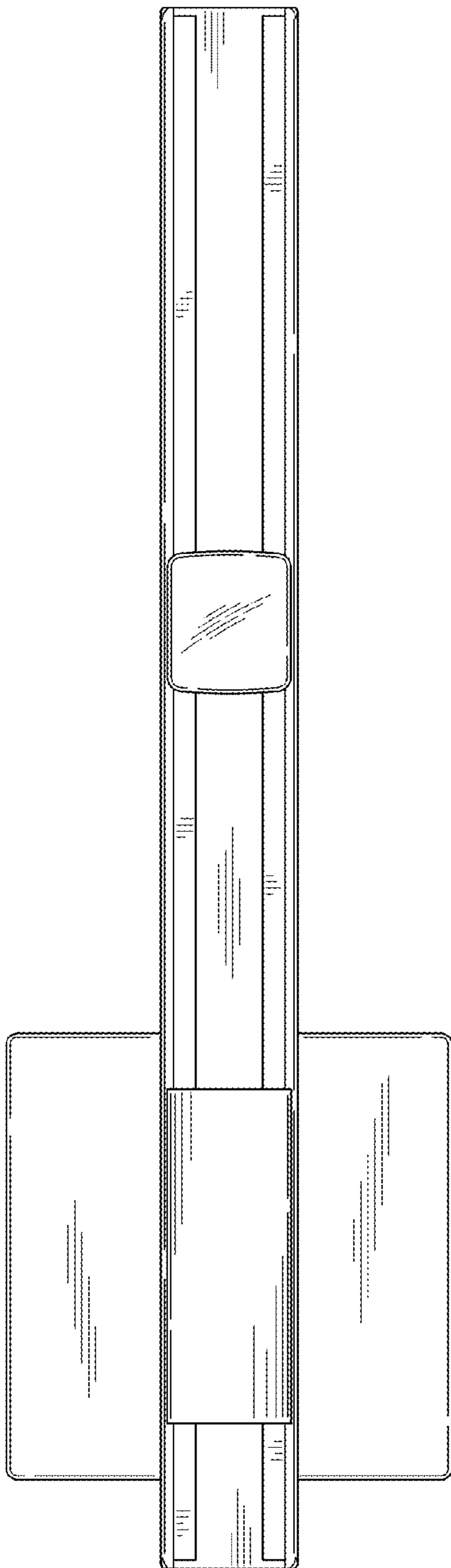


FIG. 6

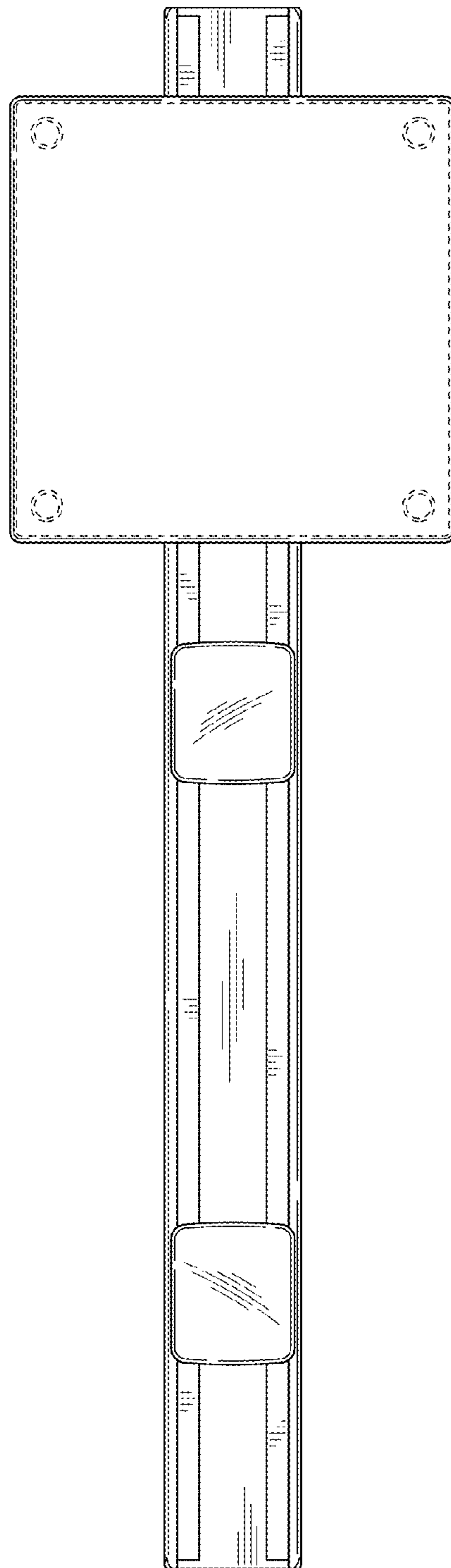


FIG. 7

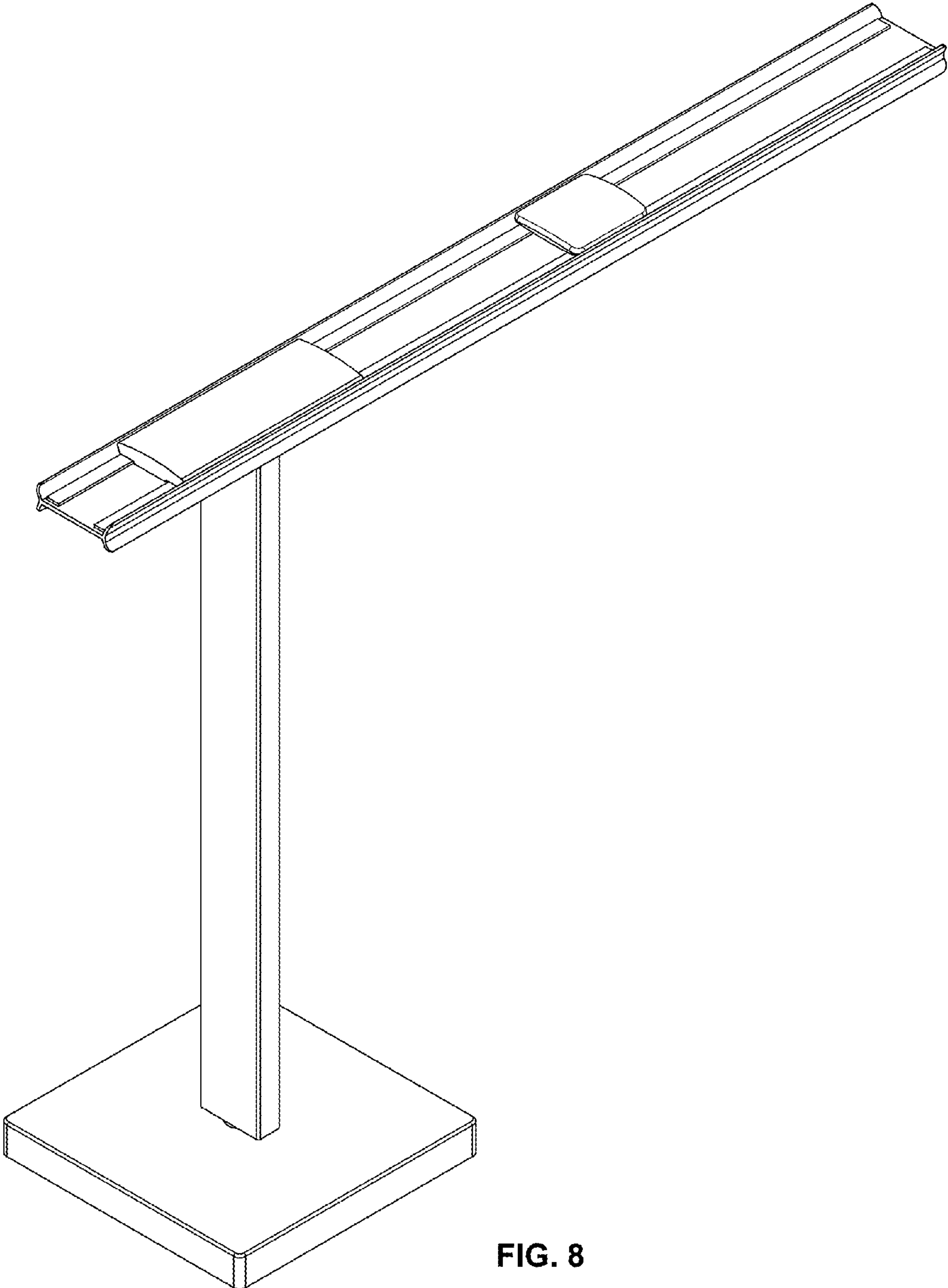


FIG. 8

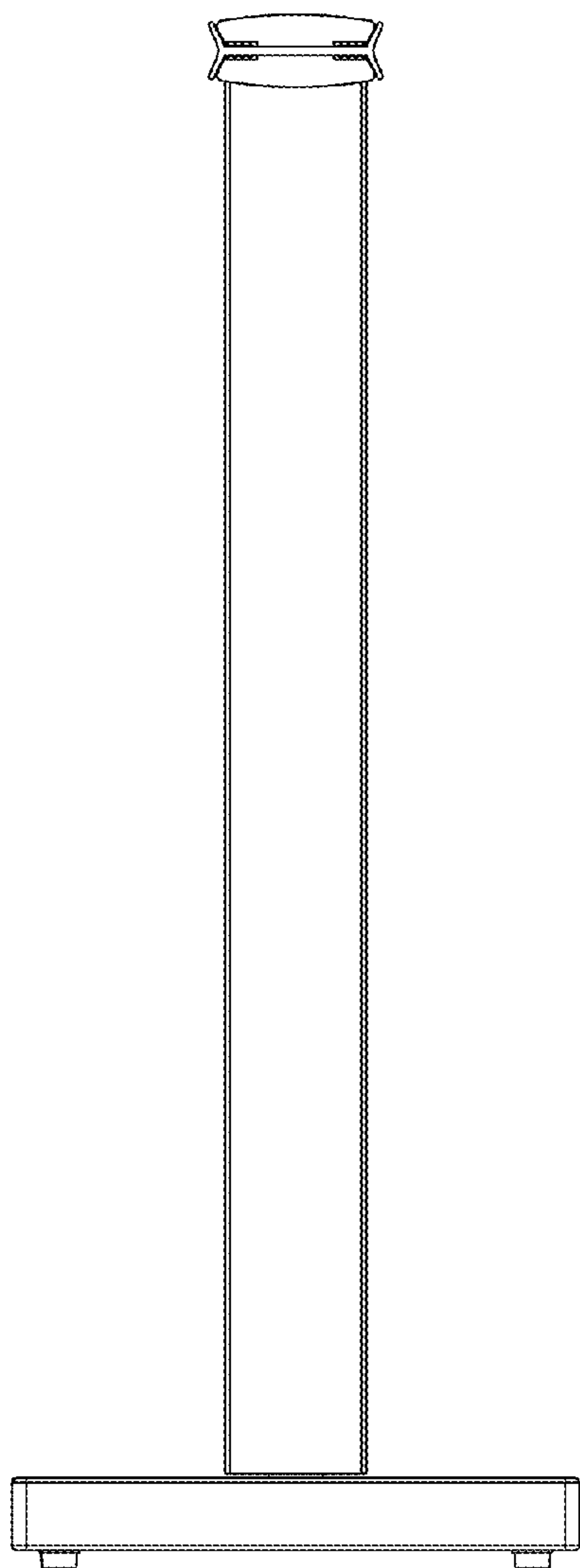


FIG. 9

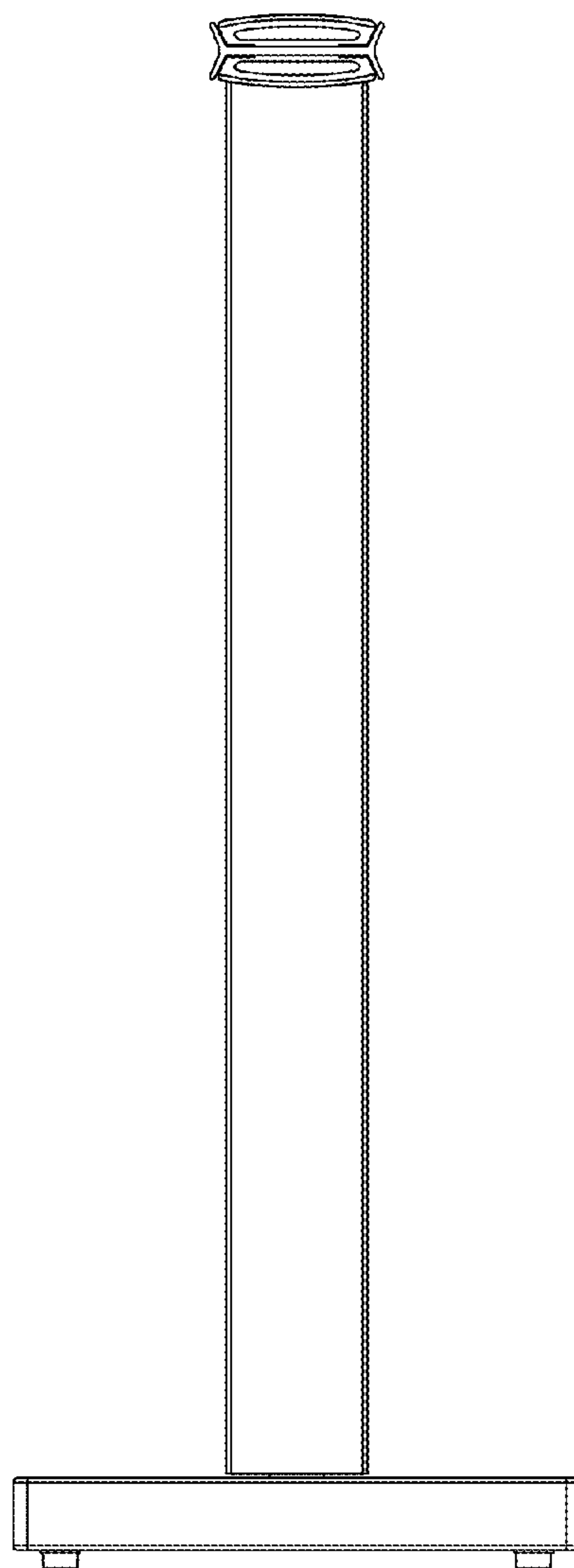


FIG. 10

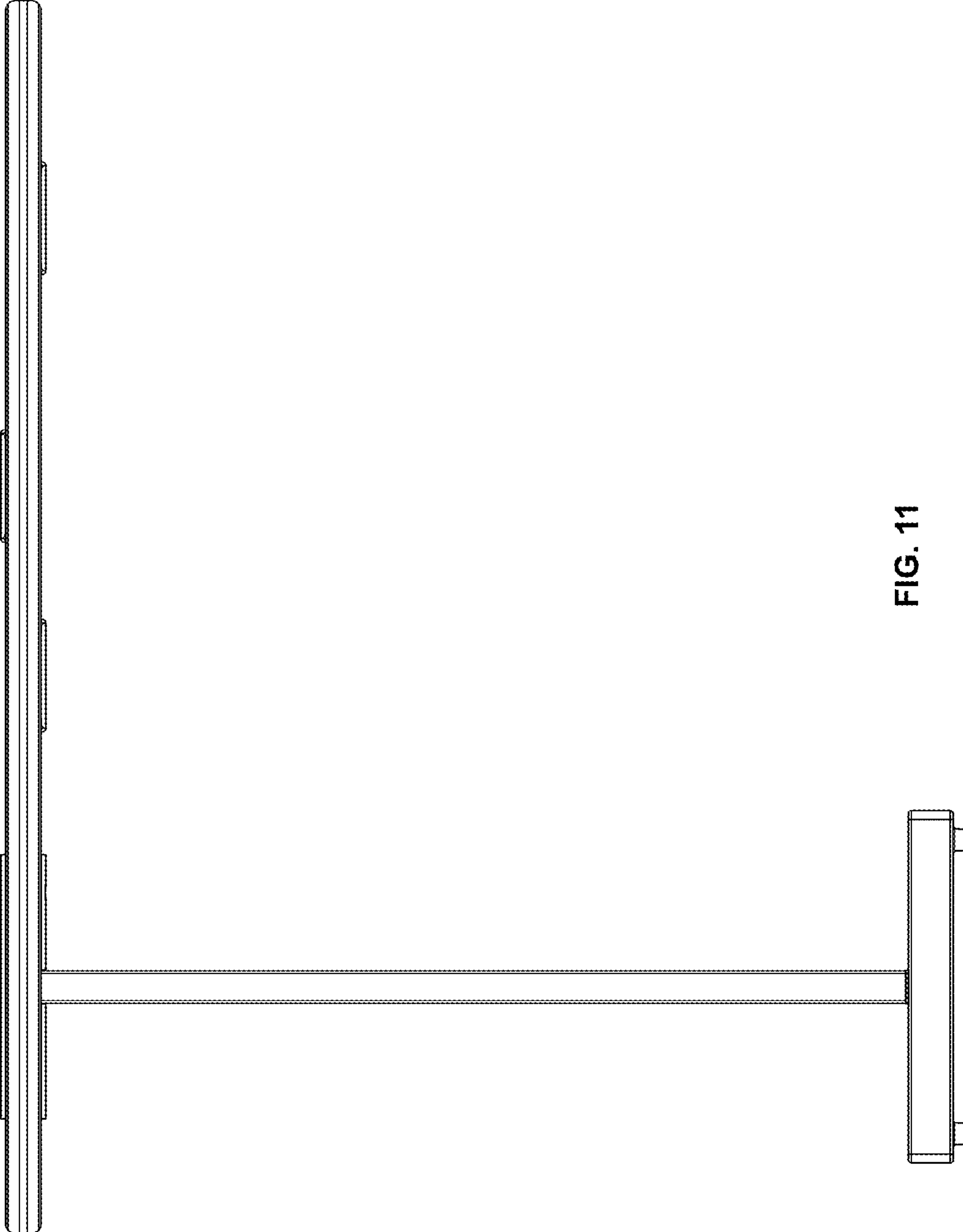


FIG. 11

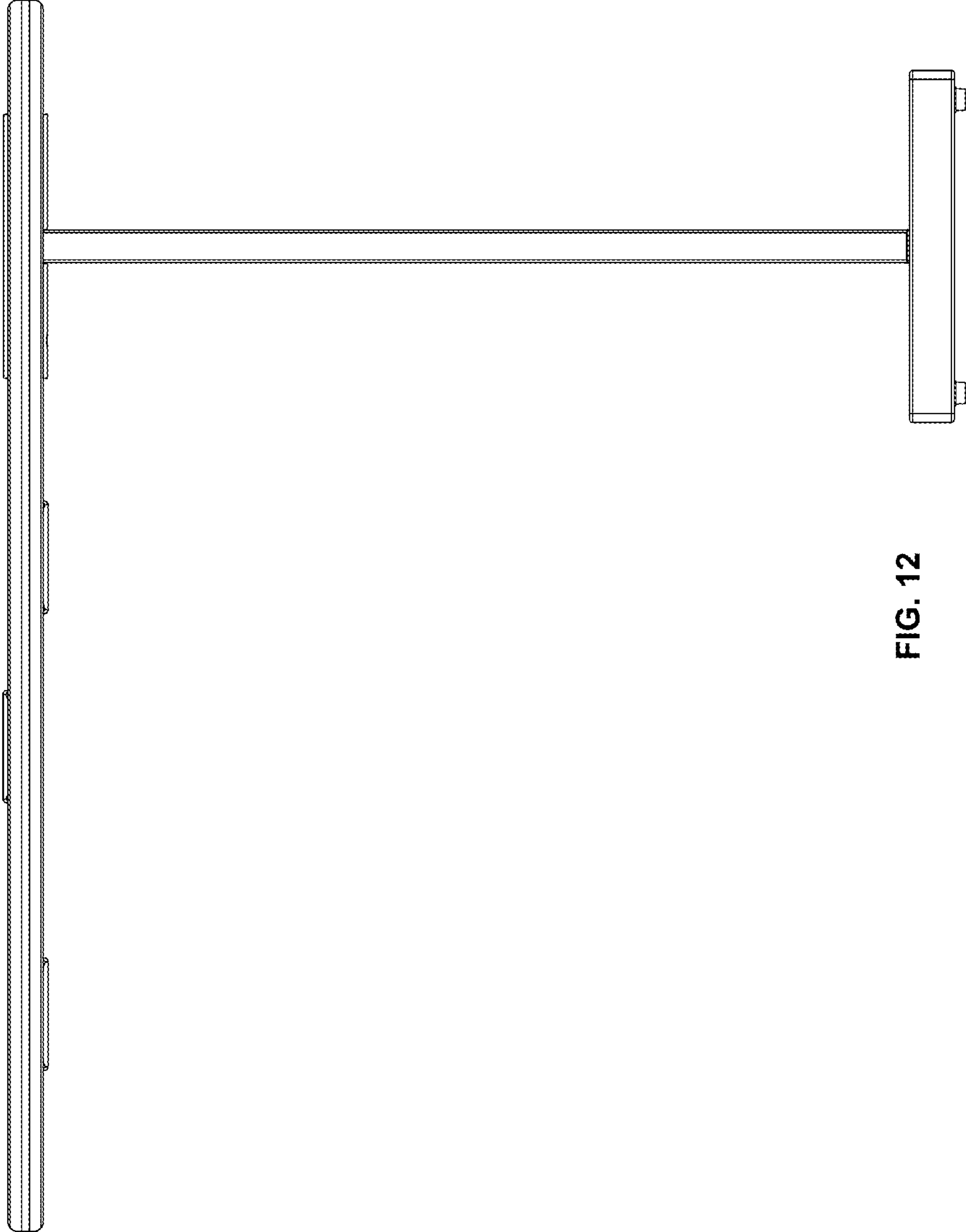


FIG. 12

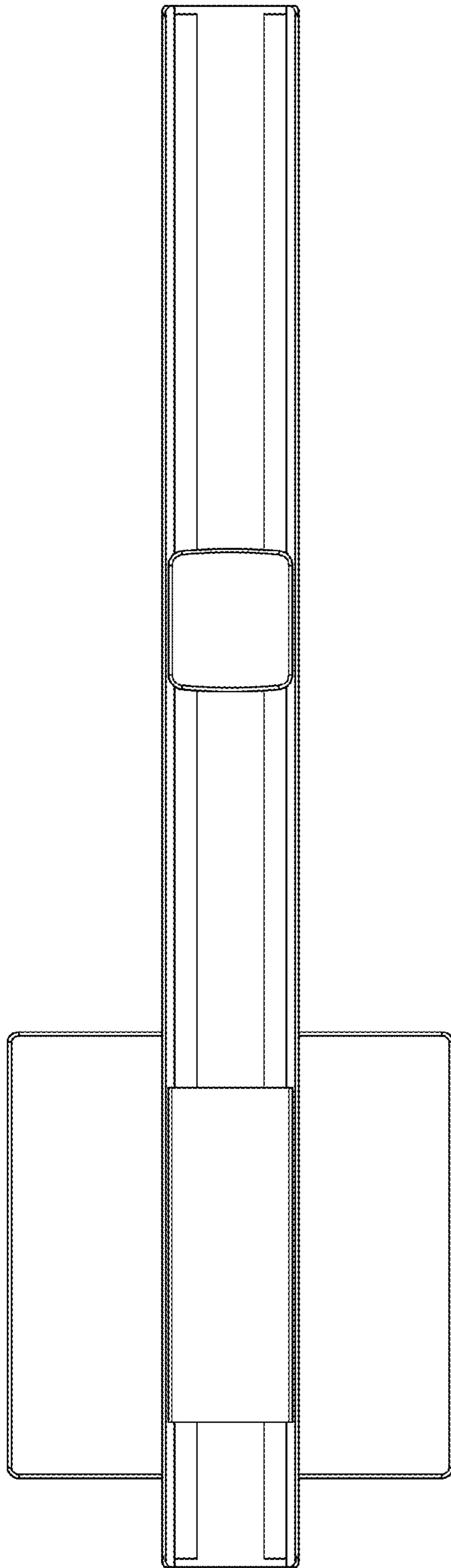


FIG. 13

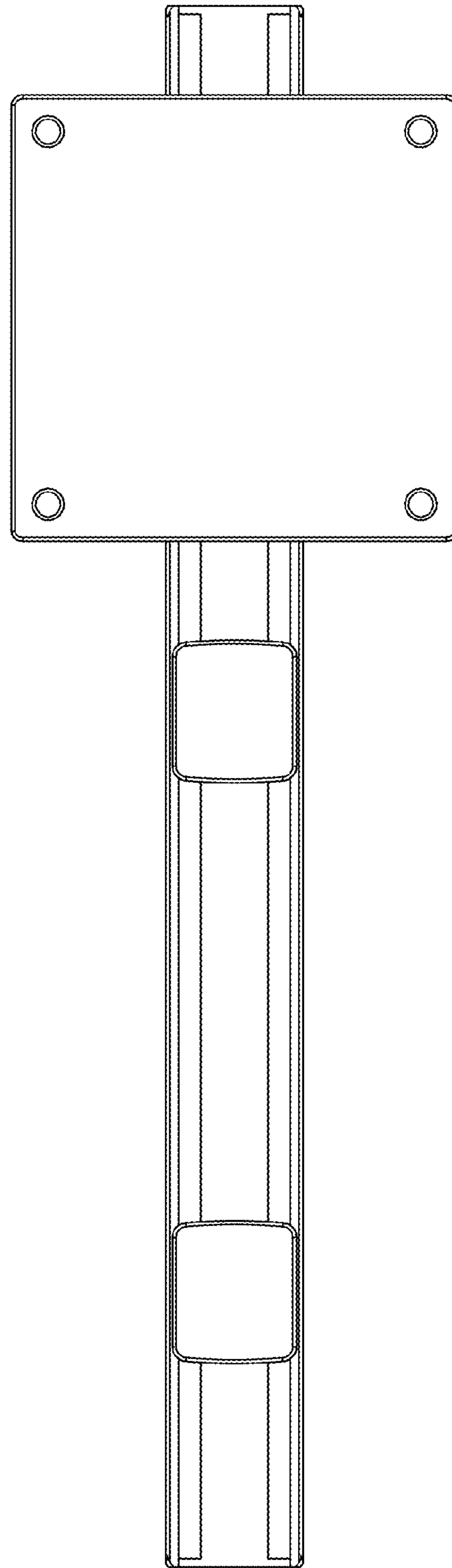


FIG. 14

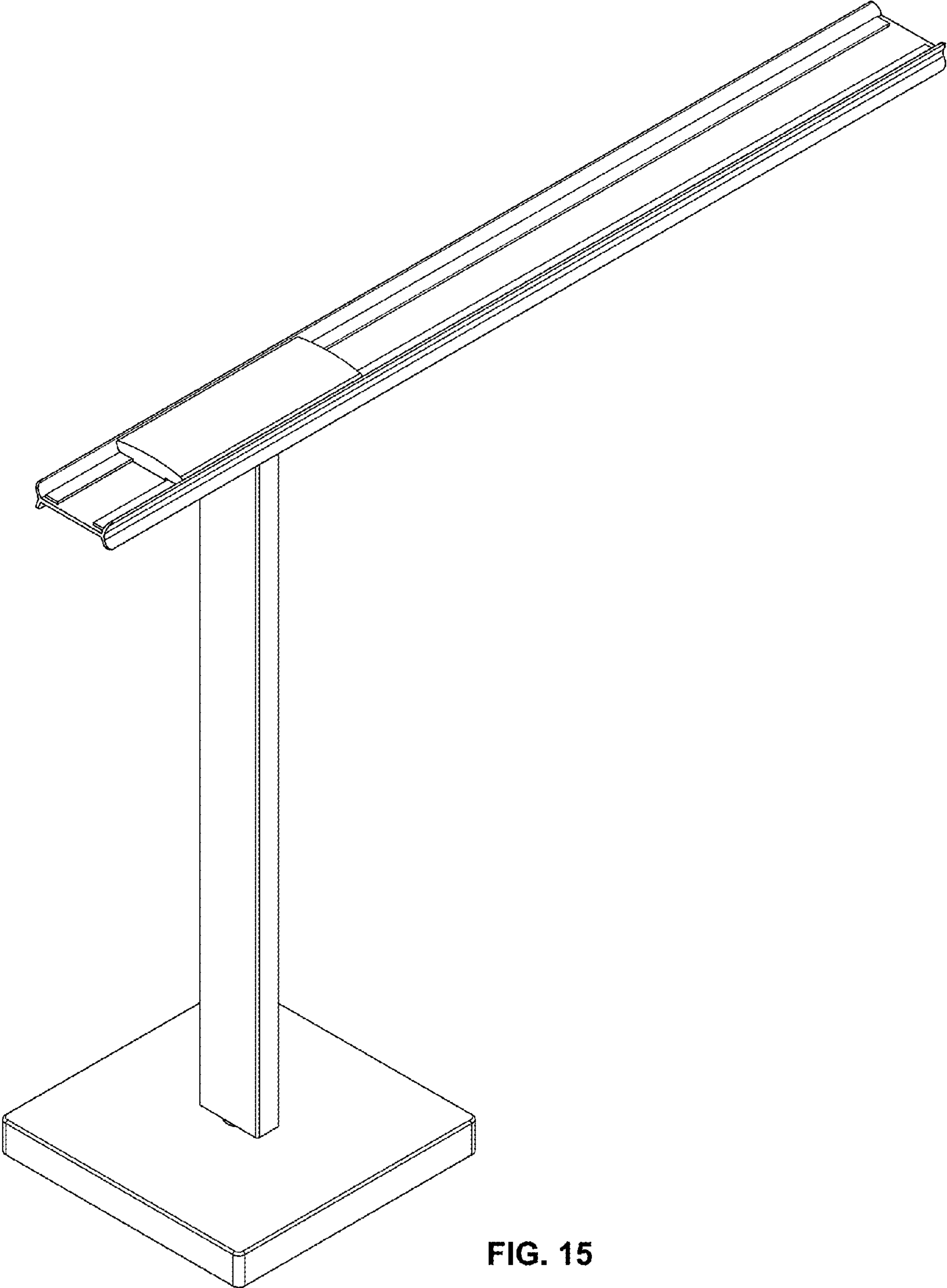


FIG. 15

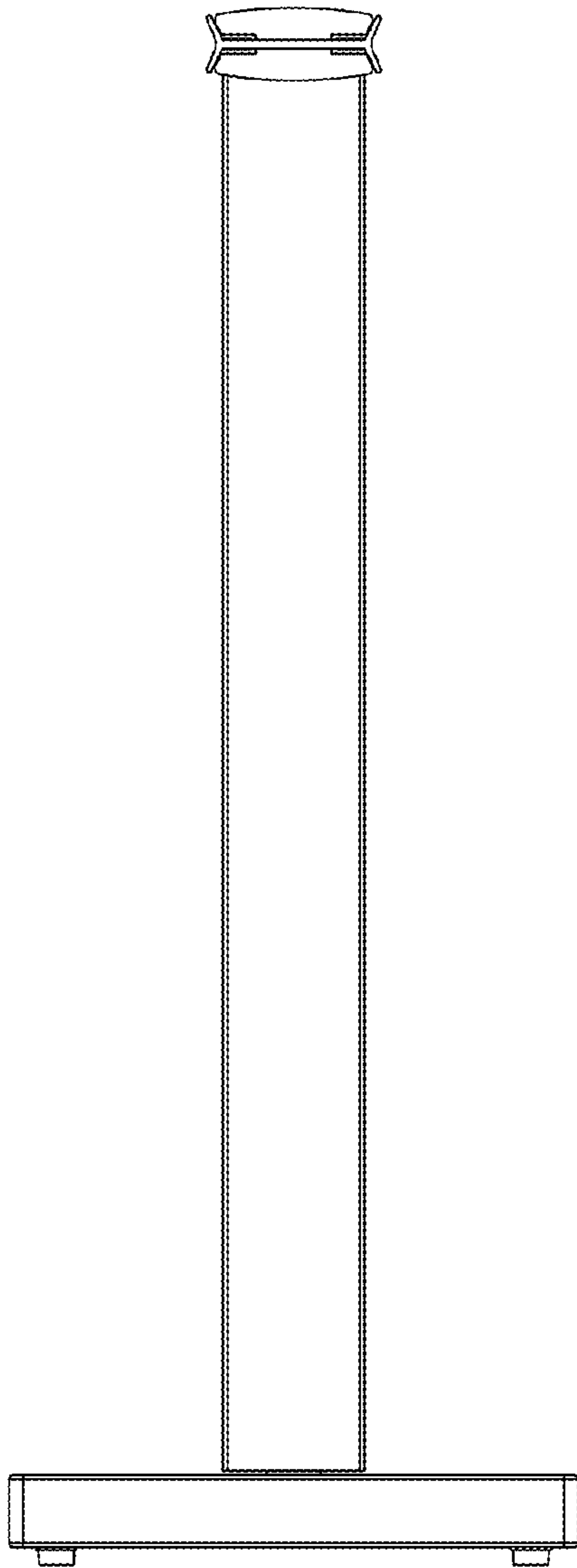


FIG. 16

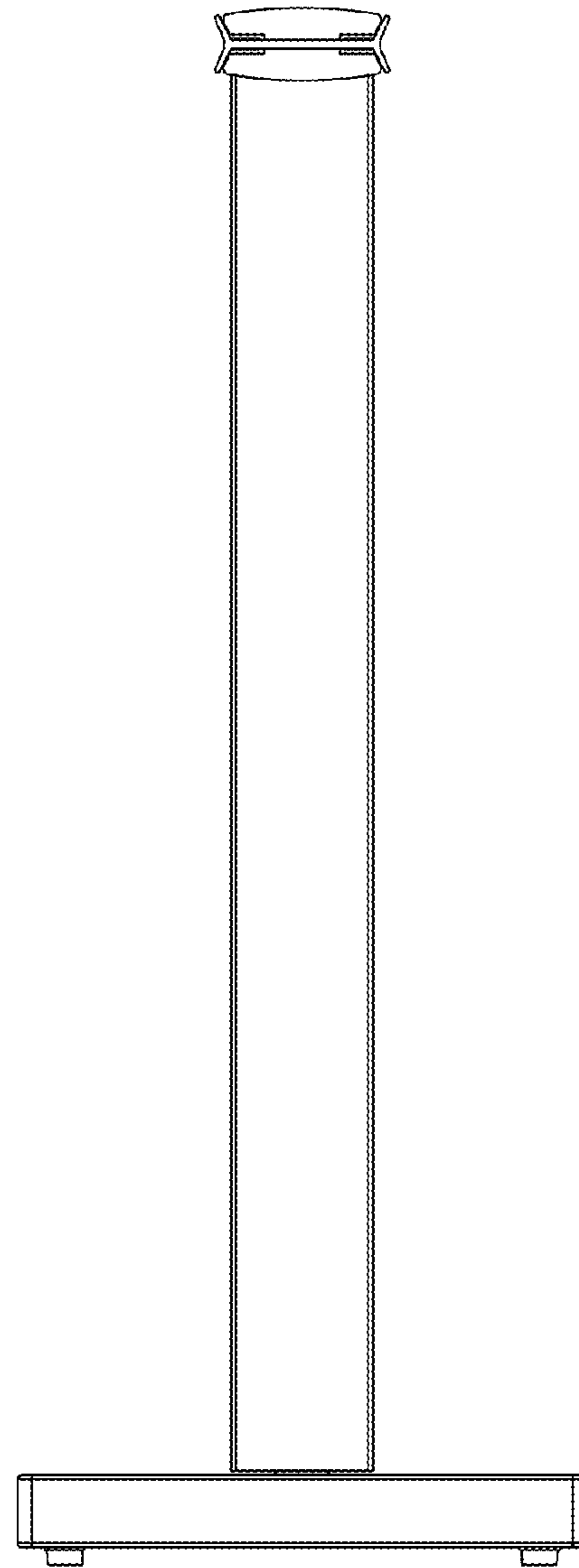


FIG. 17

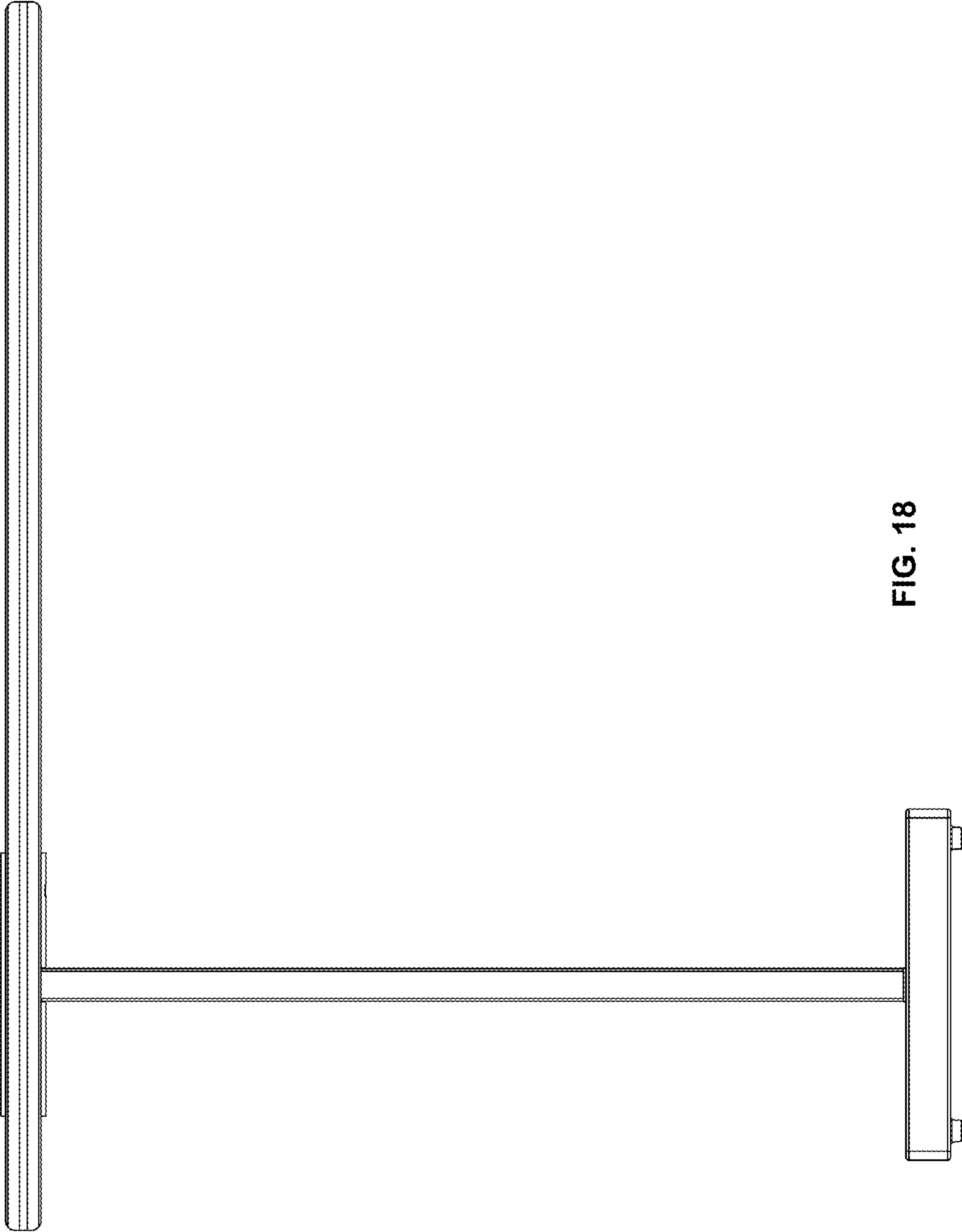


FIG. 18

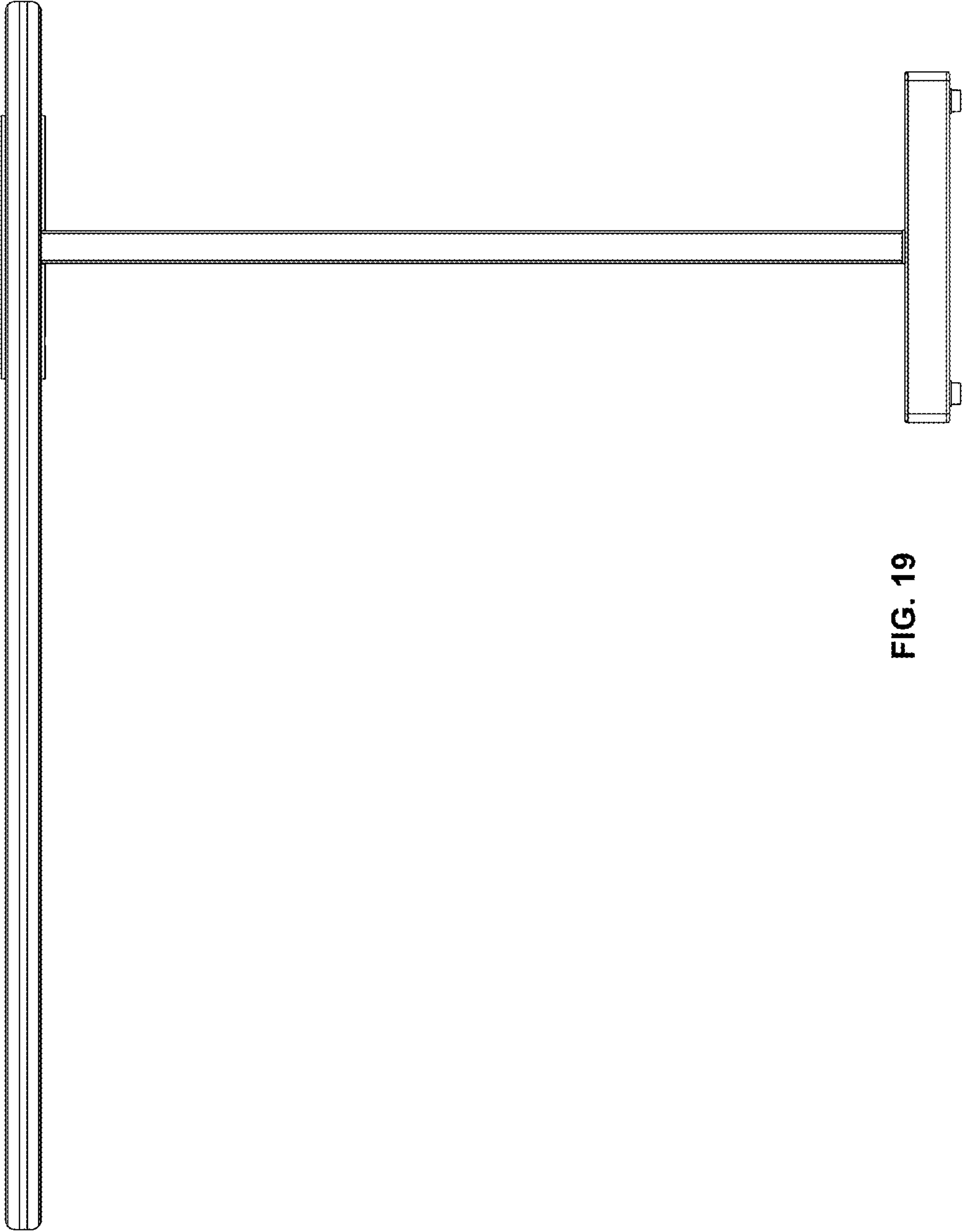


FIG. 19

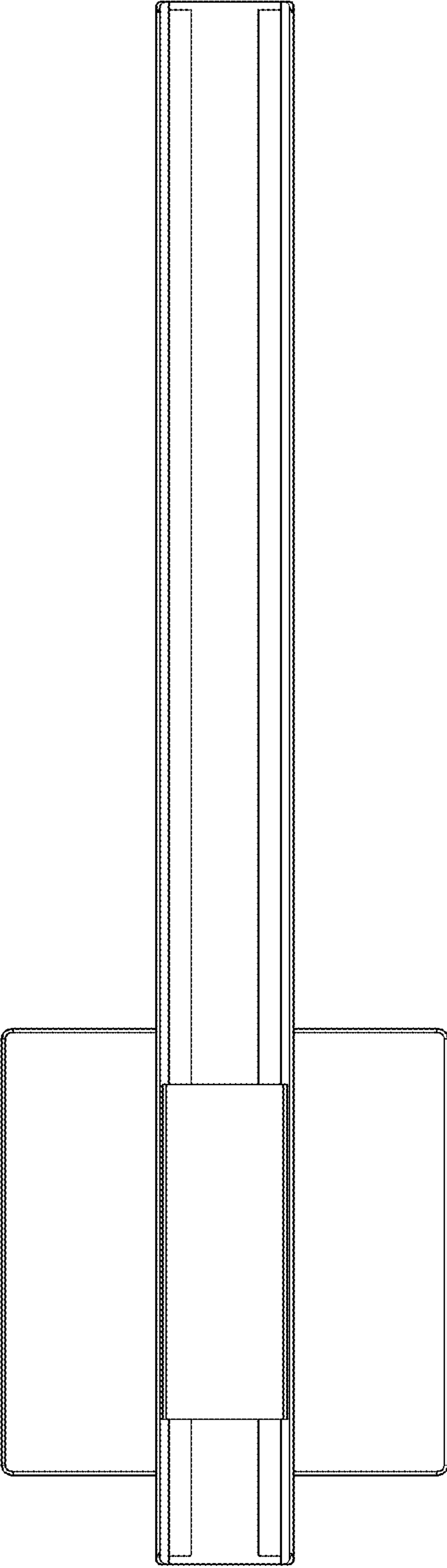


FIG. 20

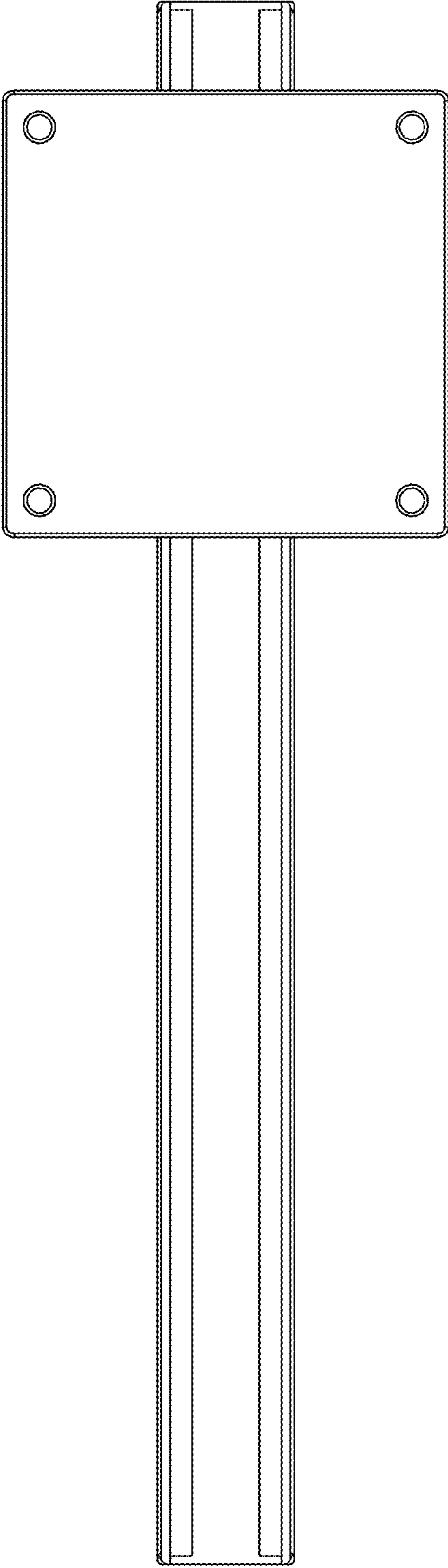


FIG. 21