



US00D726360S

(12) **United States Design Patent**
Messiaen

(10) **Patent No.:** **US D726,360 S**

(45) **Date of Patent:** **** Apr. 7, 2015**

(54) **RECESSED SPOT**

(71) Applicant: **Koninklijke Philips N.V.**, Eindhoven (NL)

(72) Inventor: **Lieven Messiaen**, Bruges (BE)

(73) Assignee: **Koninklijke Philips N.V.**, Eindhoven (NL)

(**) Term: **14 Years**

(21) Appl. No.: **29/483,050**

(22) Filed: **Feb. 25, 2014**

(30) **Foreign Application Priority Data**

Aug. 29, 2013 (EM) 002299008-0001

(51) **LOC (10) Cl.** **26-05**

(52) **U.S. Cl.**
USPC **D26/74**

(58) **Field of Classification Search**

CPC F21V 29/2262; F21V 7/06; F21V 21/044;
F21V 21/047; F21V 29/2212; F21V 29/2225;
F21V 29/2256; F21V 29/225; F21V 29/2268;
F21S 8/02; F21S 8/026; F21Y 2111/002
USPC D26/74, 72, 75, 76, 77, 78, 85, 88, 89,
D26/118, 138, 141; 362/364, 365, 373, 145,
362/146, 147, 148, 150, 153, 153.1, 294,
362/296.01, 296.07, 296.08

See application file for complete search history.

(56) **References Cited**

U.S. PATENT DOCUMENTS

D321,266	S	*	10/1991	Koontz	D26/74
D321,949	S	*	11/1991	Miller	D26/74
D410,295	S	*	5/1999	Lueken et al.	D26/74
D448,880	S	*	10/2001	Benghozi	D26/74
D581,586	S	*	11/2008	Conroy	D26/138
D601,293	S	*	9/2009	MacKenzie	D26/74
D633,099	S	*	2/2011	Van de Ven et al.	D15/1
D655,436	S	*	3/2012	Johnson	D26/74
D683,883	S	*	6/2013	Yorio et al.	D26/74
D698,071	S	*	1/2014	Messiaen	D26/74
D704,875	S	*	5/2014	Johnson	D26/74
2011/0075411	A1	*	3/2011	Van De Ven et al.	362/235

* cited by examiner

Primary Examiner — Angela J Lee

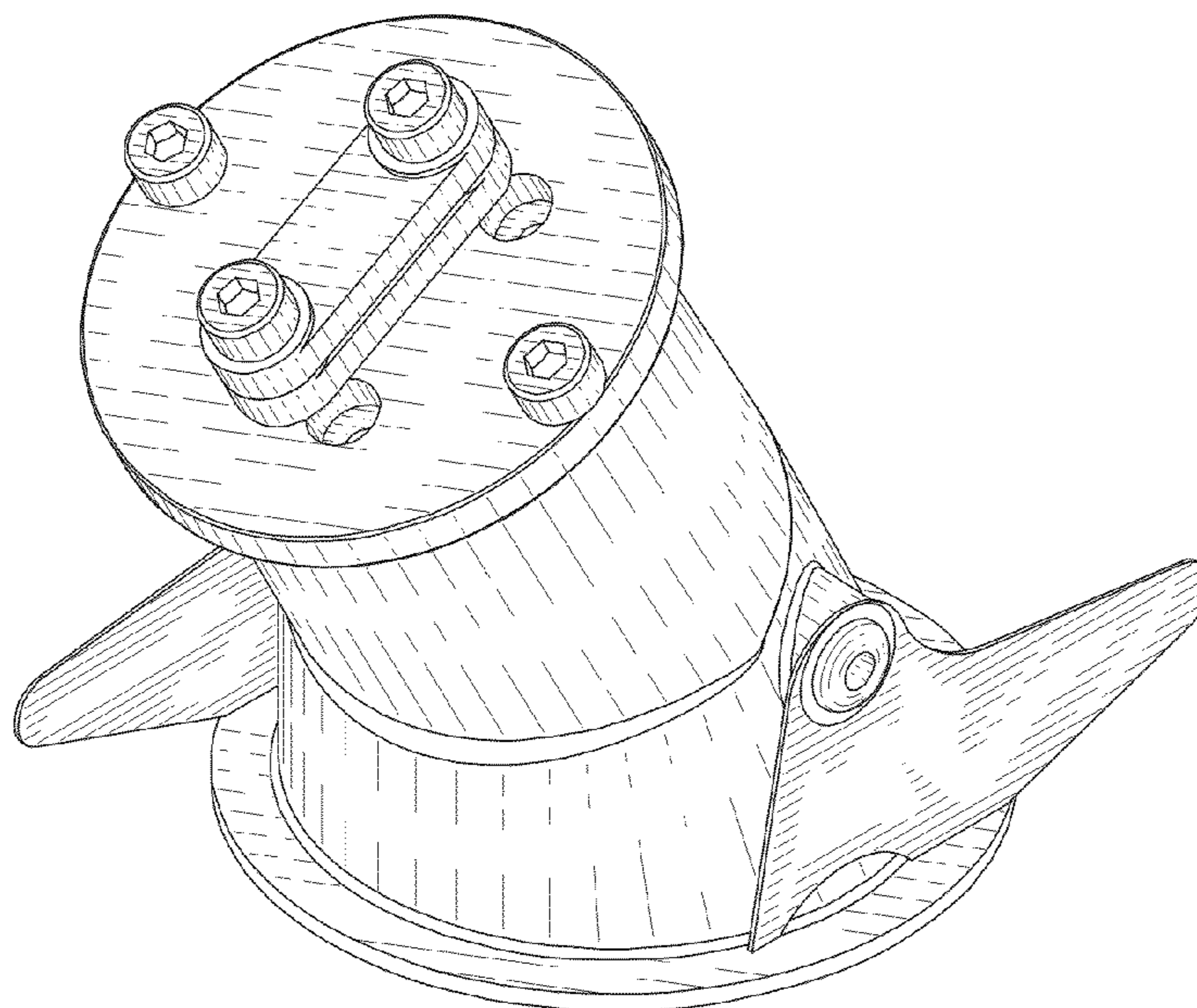
(57) **CLAIM**

The ornamental design for a recessed spot, as shown.

DESCRIPTION

FIG. 1 is a perspective view showing my design;
FIG. 2 is a front elevational view thereof;
FIG. 3 is a rear elevational view thereof;
FIG. 4 is a right side elevational view thereof;
FIG. 5 is a left side elevational view thereof;
FIG. 6 is a top plan view thereof; and,
FIG. 7 is a bottom plan view thereof.

1 Claim, 4 Drawing Sheets



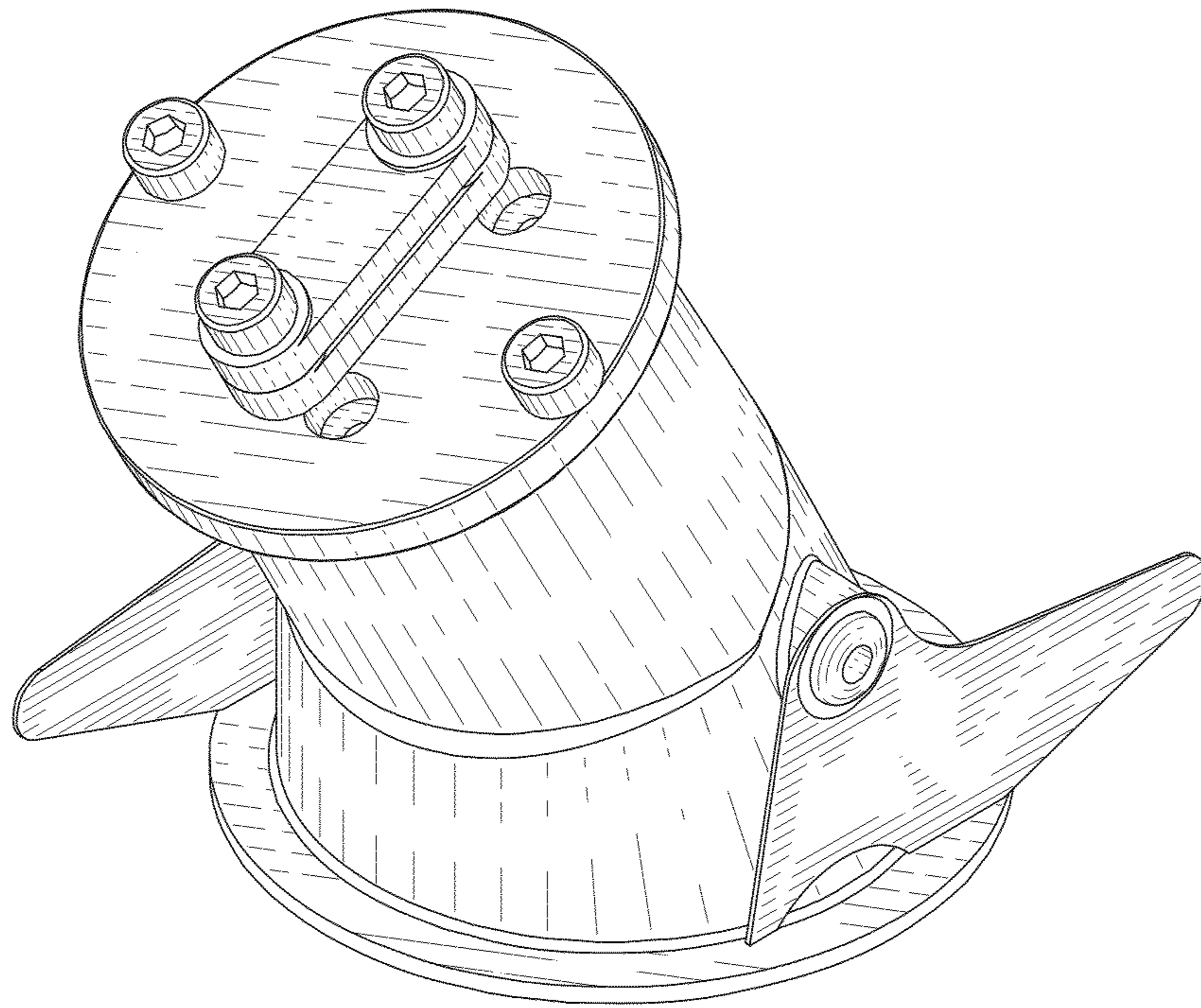


FIG. 1

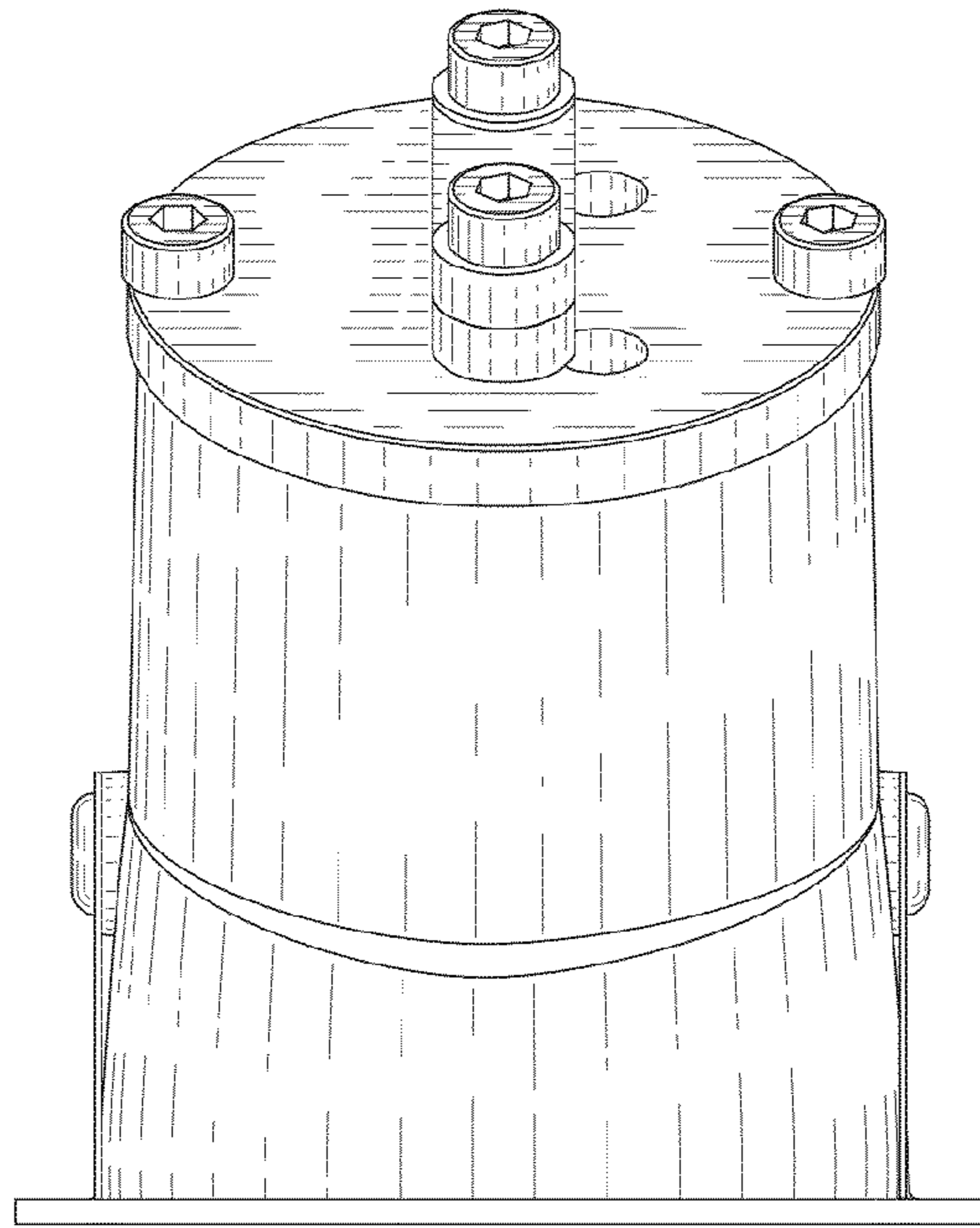


FIG. 2

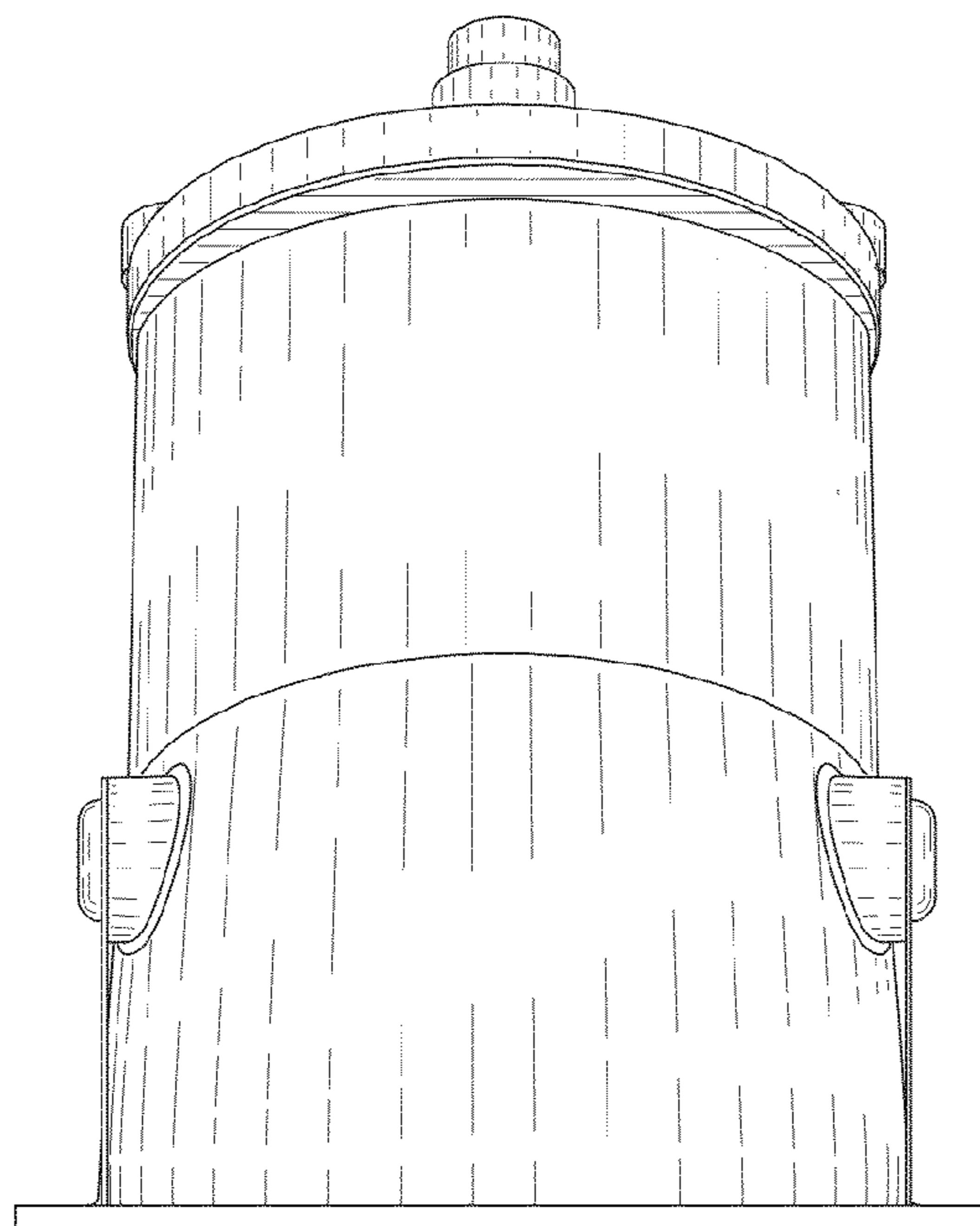


FIG. 3

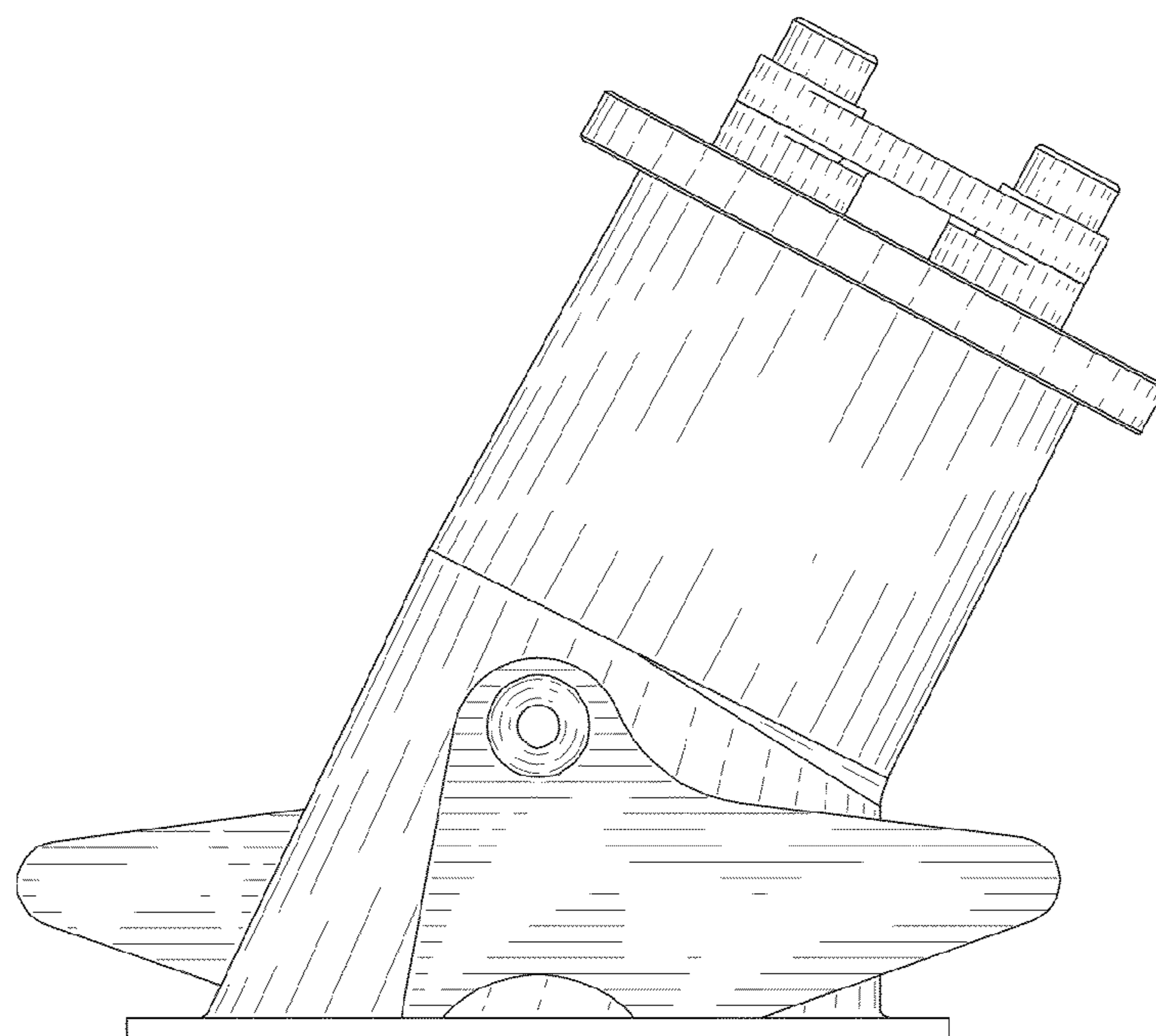


FIG. 4

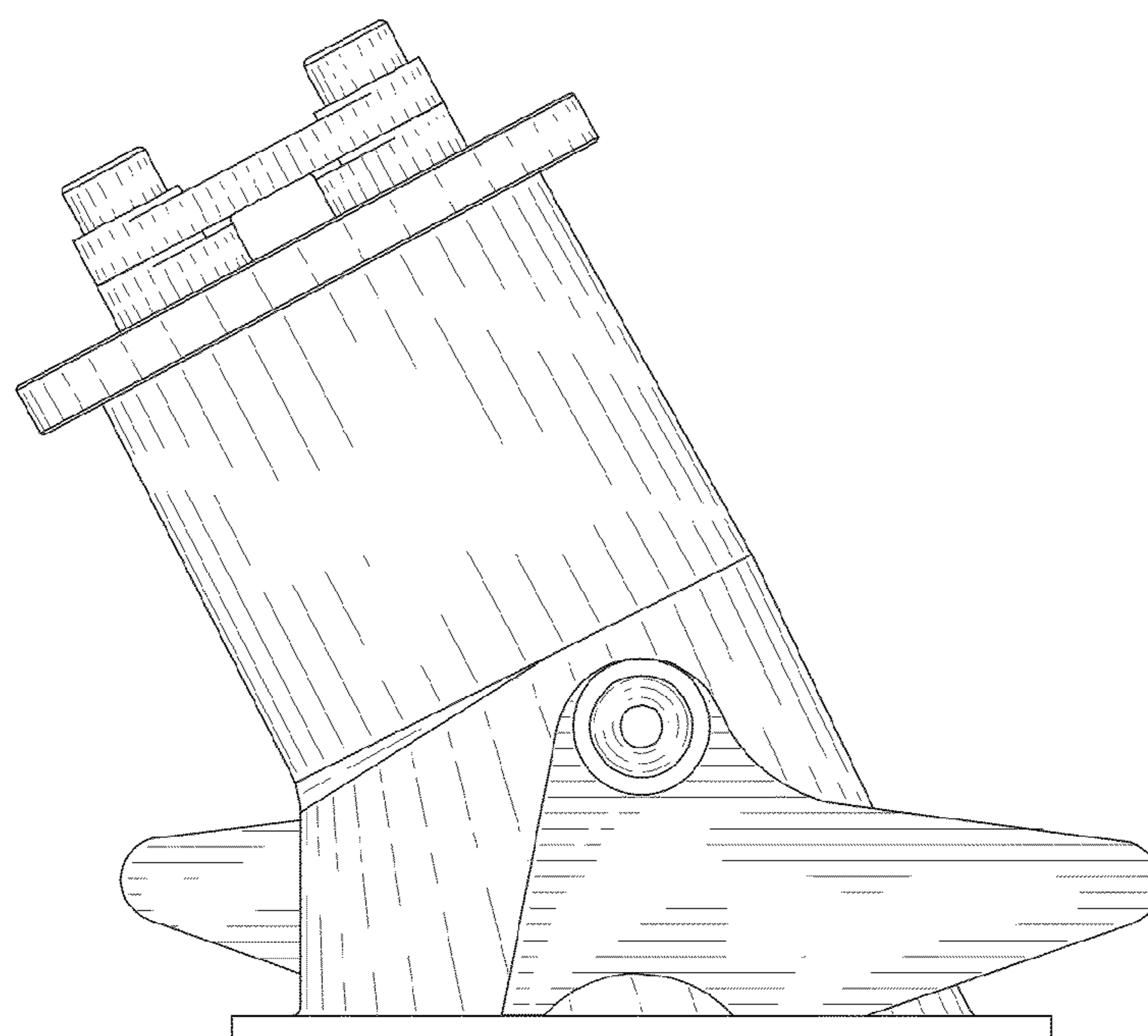


FIG. 5

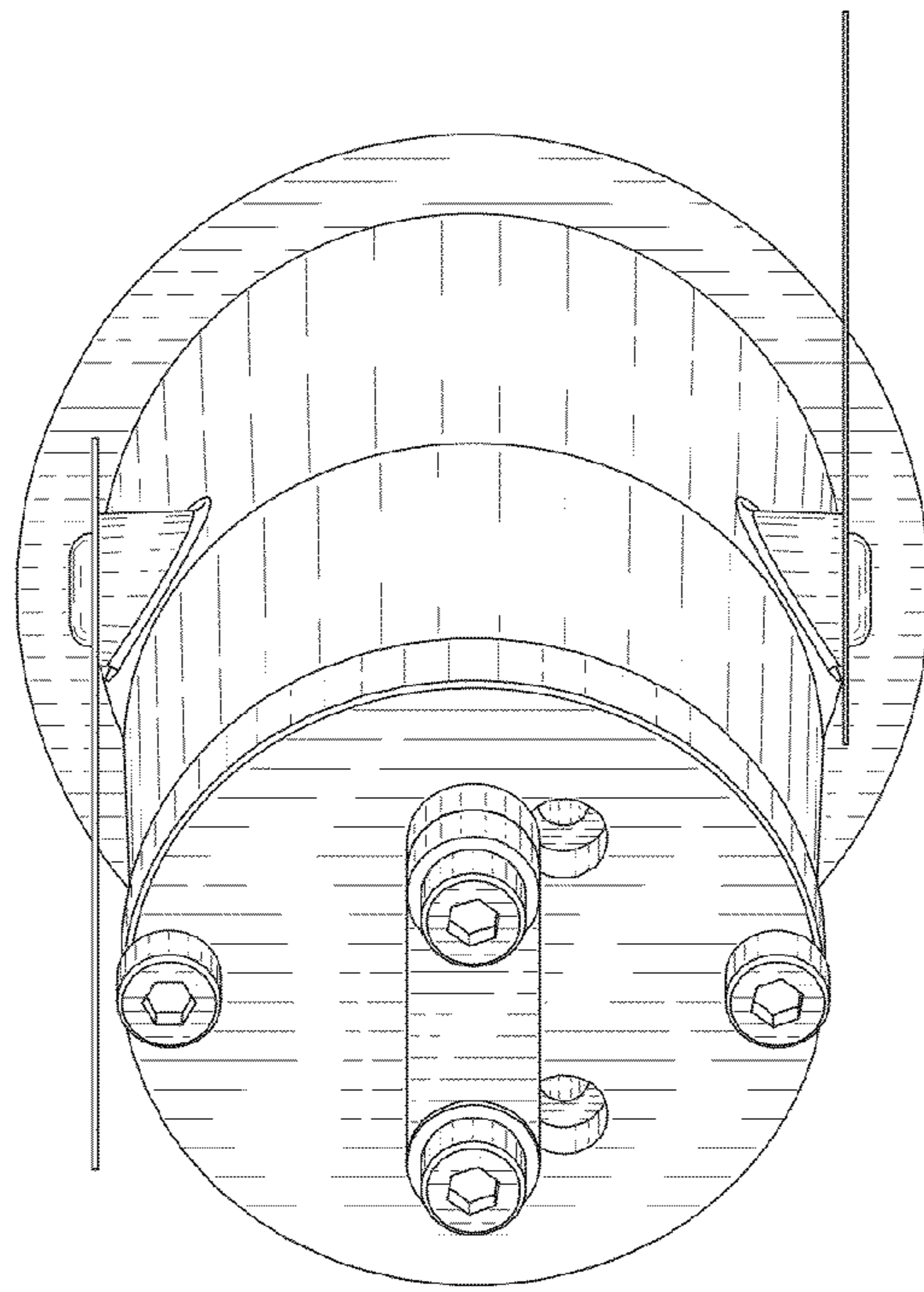


FIG. 6

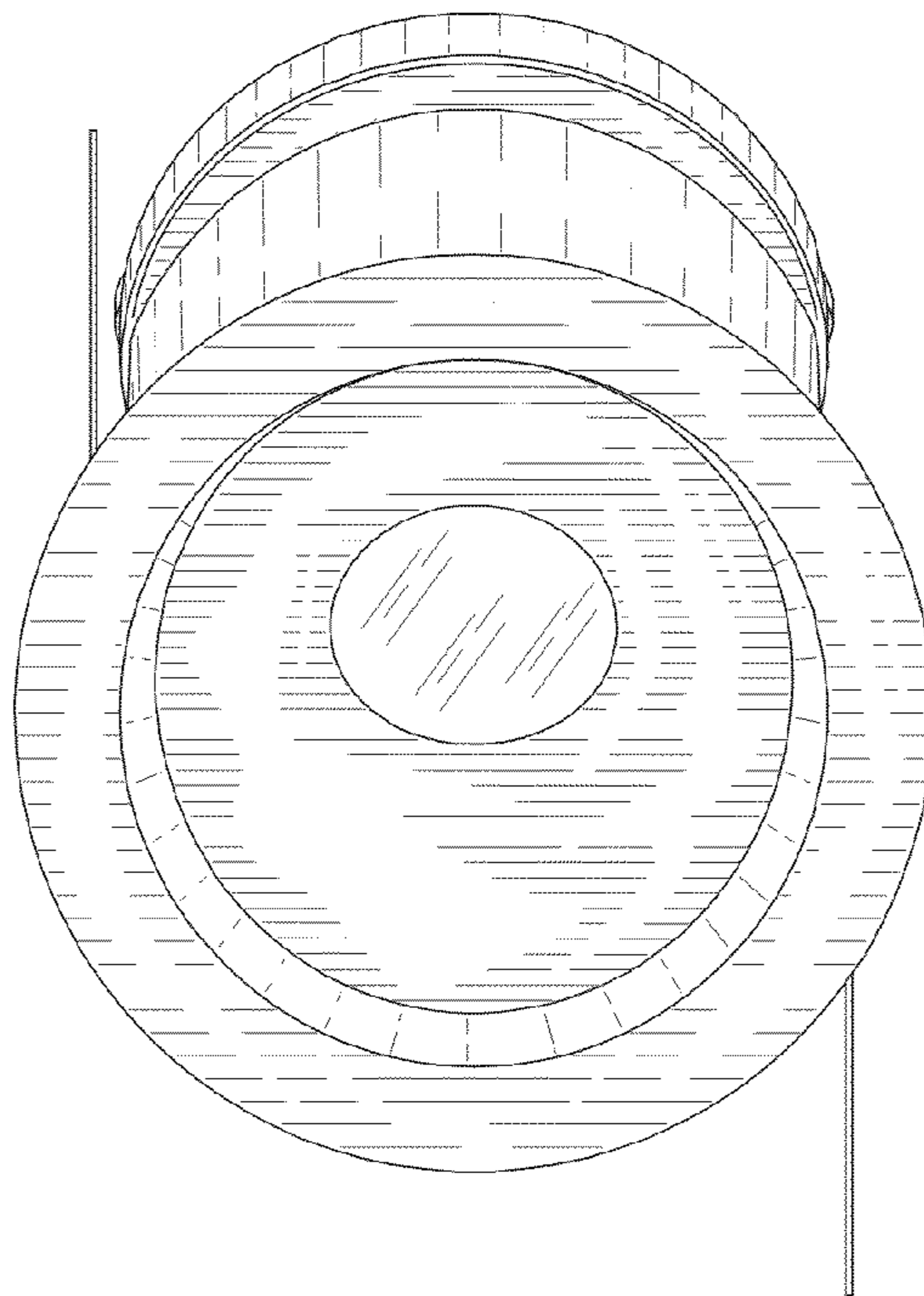


FIG. 7